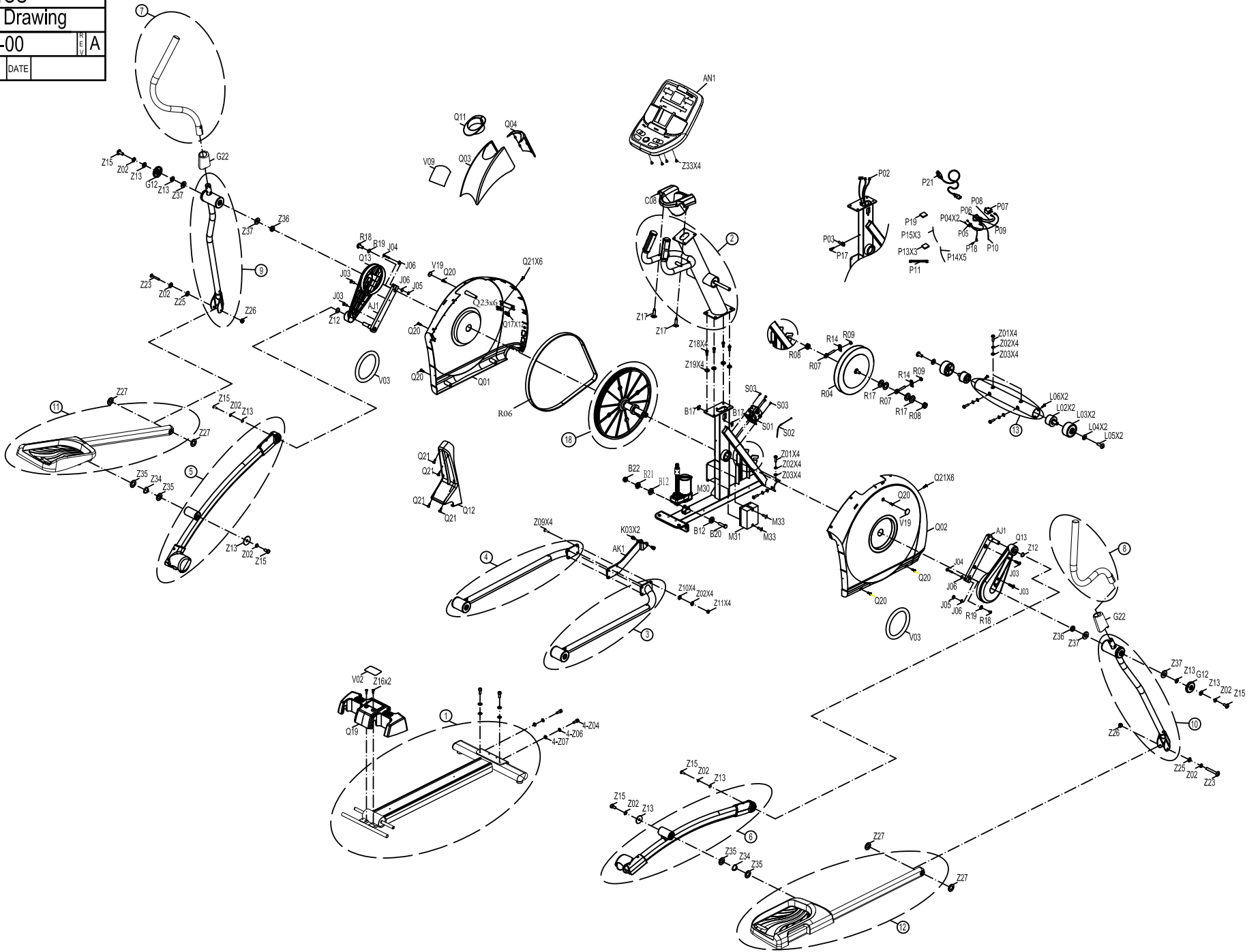
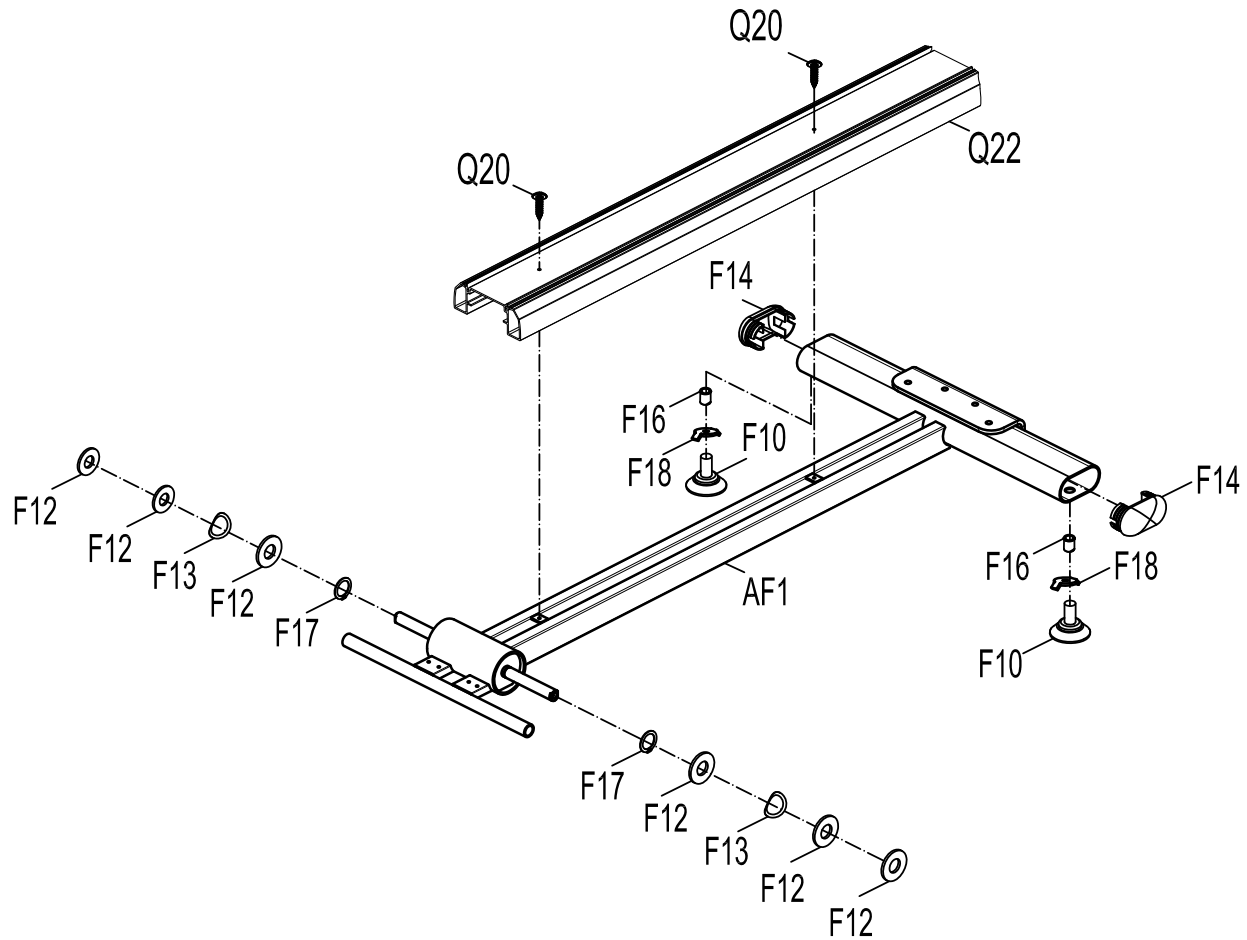


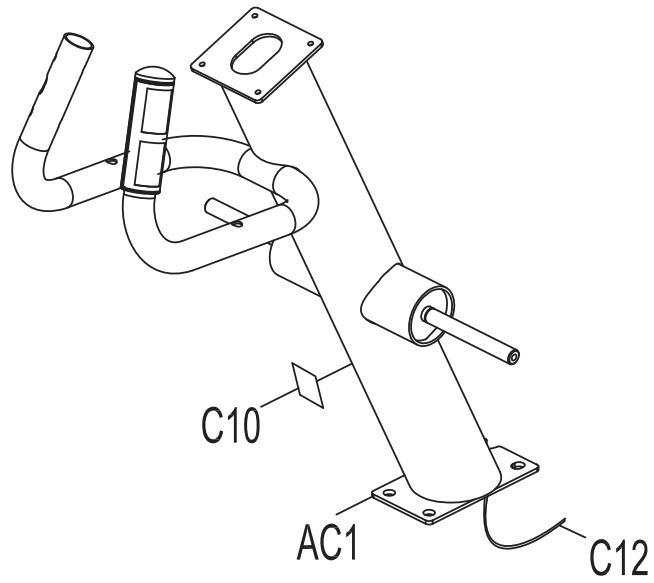
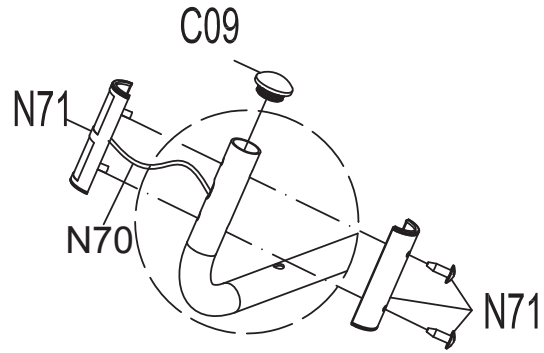
DRAWING NO	PEP552-1US	
PART NAME	Explosive Drawing	
PART NO	HEP0361-00	REV. A
APPROVE	DATE	



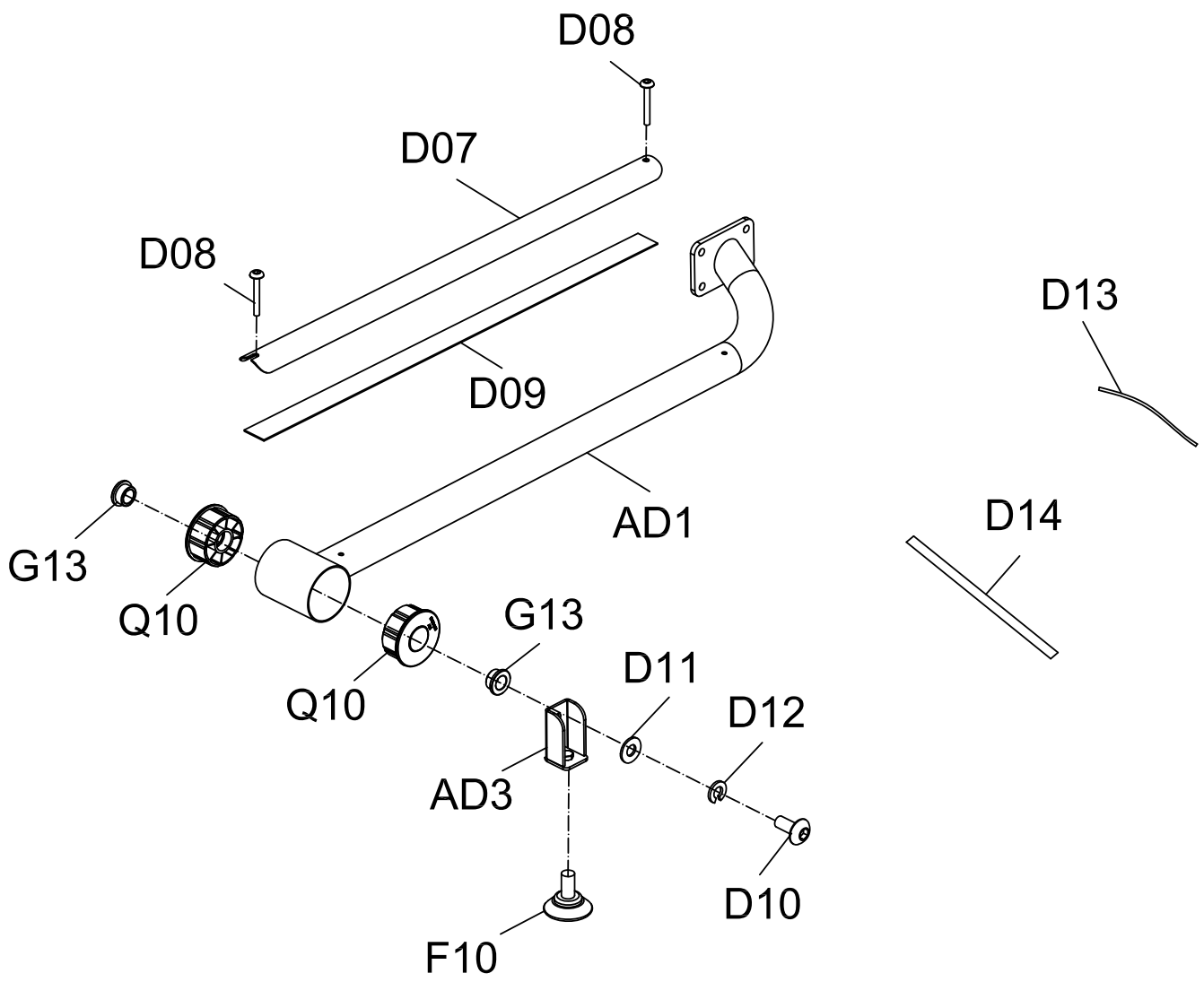
DRAWING NO	EP552-A12		
PART NAME	Rear frame set		
PART NO	1000217250	REV	A
APPROVE		DATE	



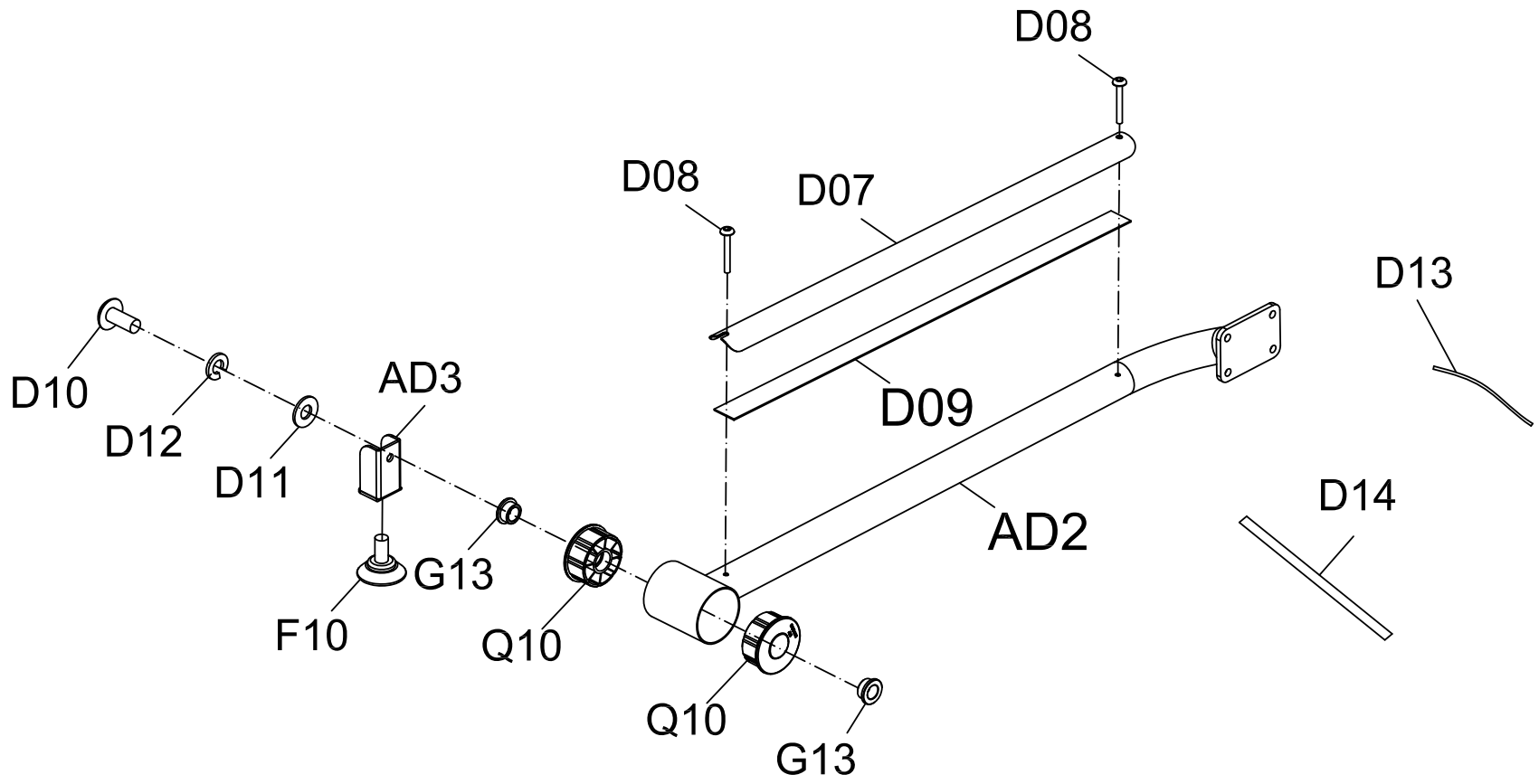
DRAWING NO	EP552-A13		
PART NAME	Console mast set		
PART NO	1000217251	REV	A
APPROVE		DATE	



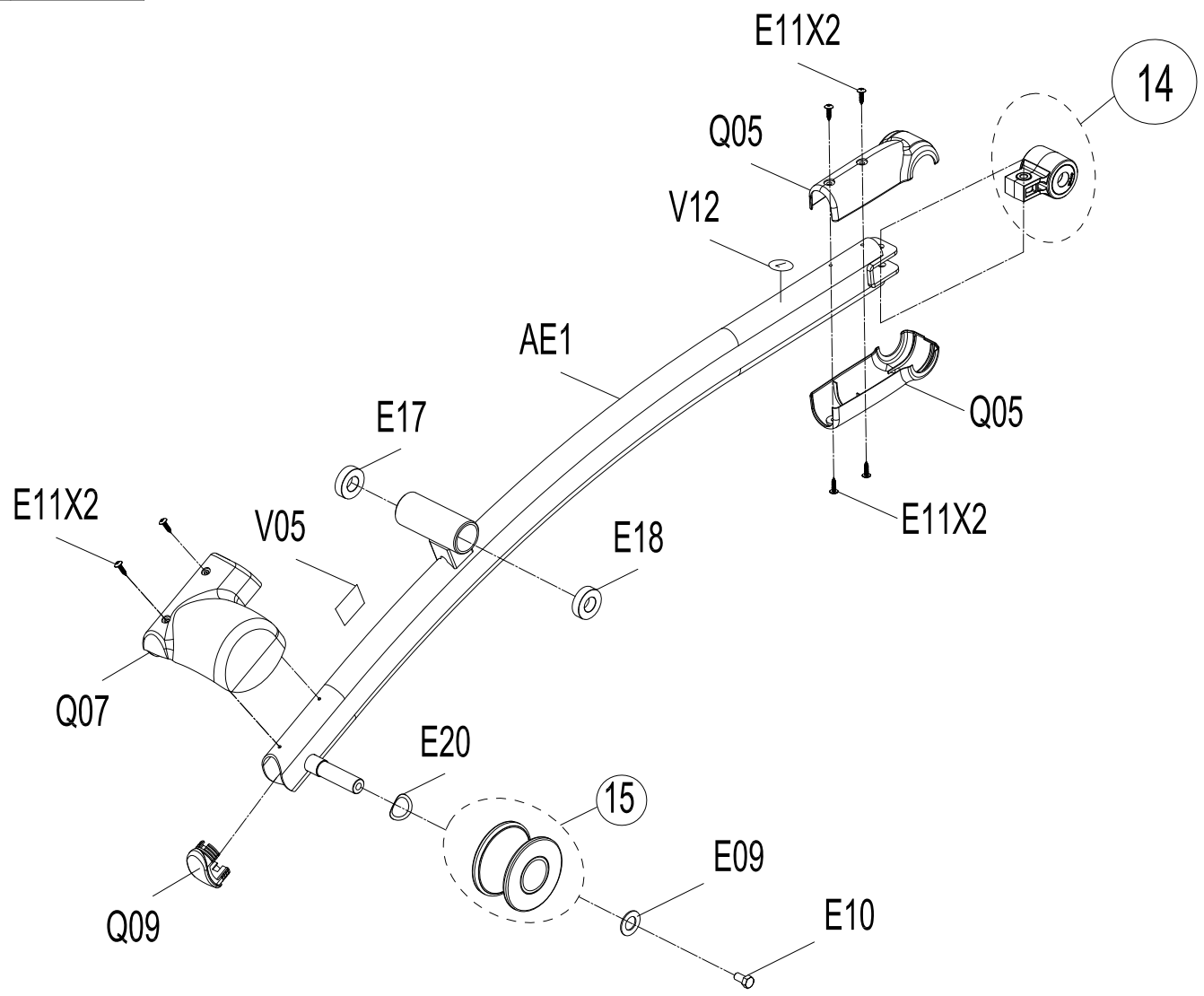
DRAWING NO	EP553-A14		
PART NAME	Guide rail R Set		
PART NO	1000217137	REV	A
APPROVE		DATE	



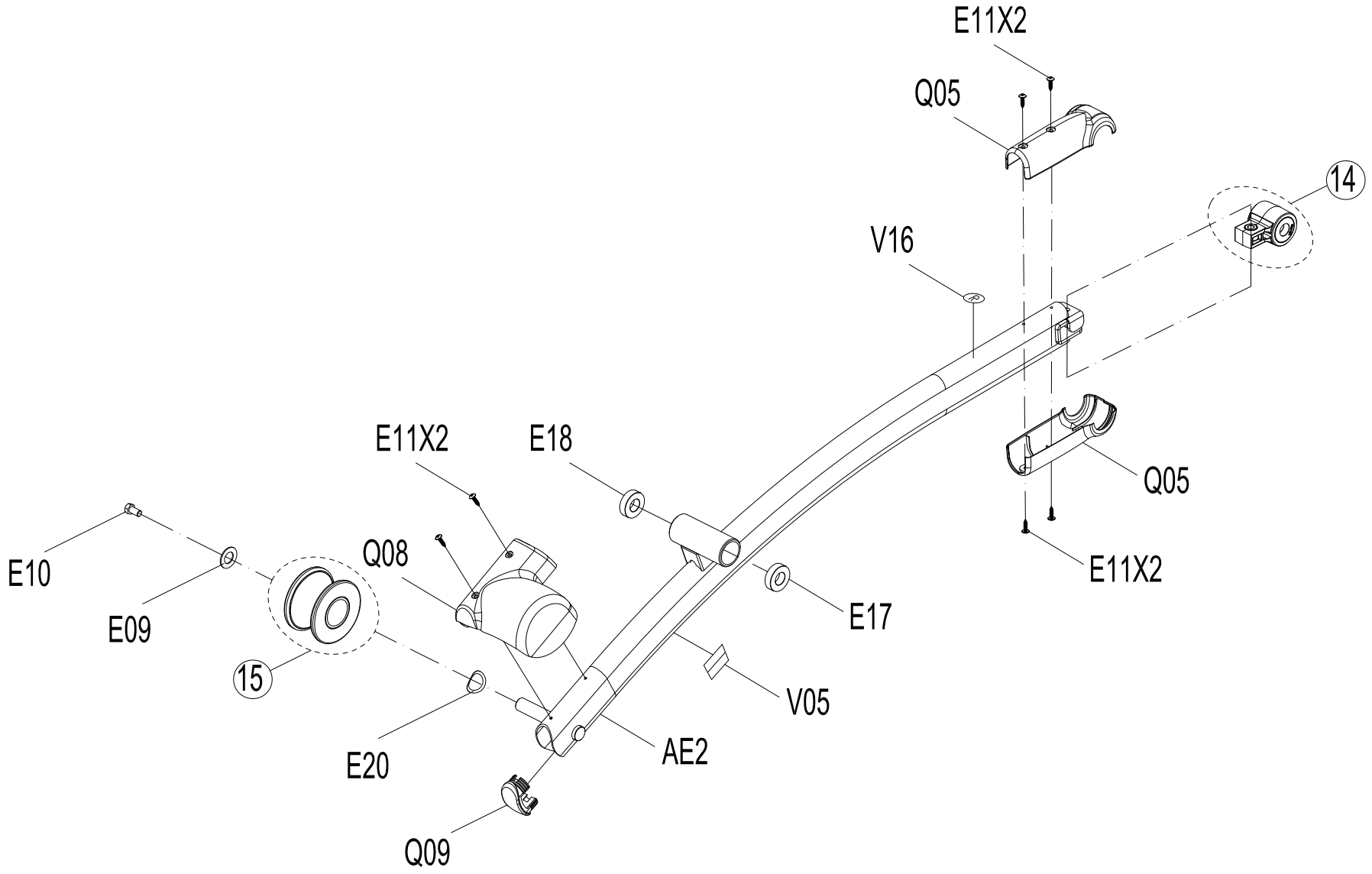
DRAWING NO	EP553-A15		
PART NAME	Guide rail L Set		
PART NO	1000217138	REV	A
APPROVE		DATE	



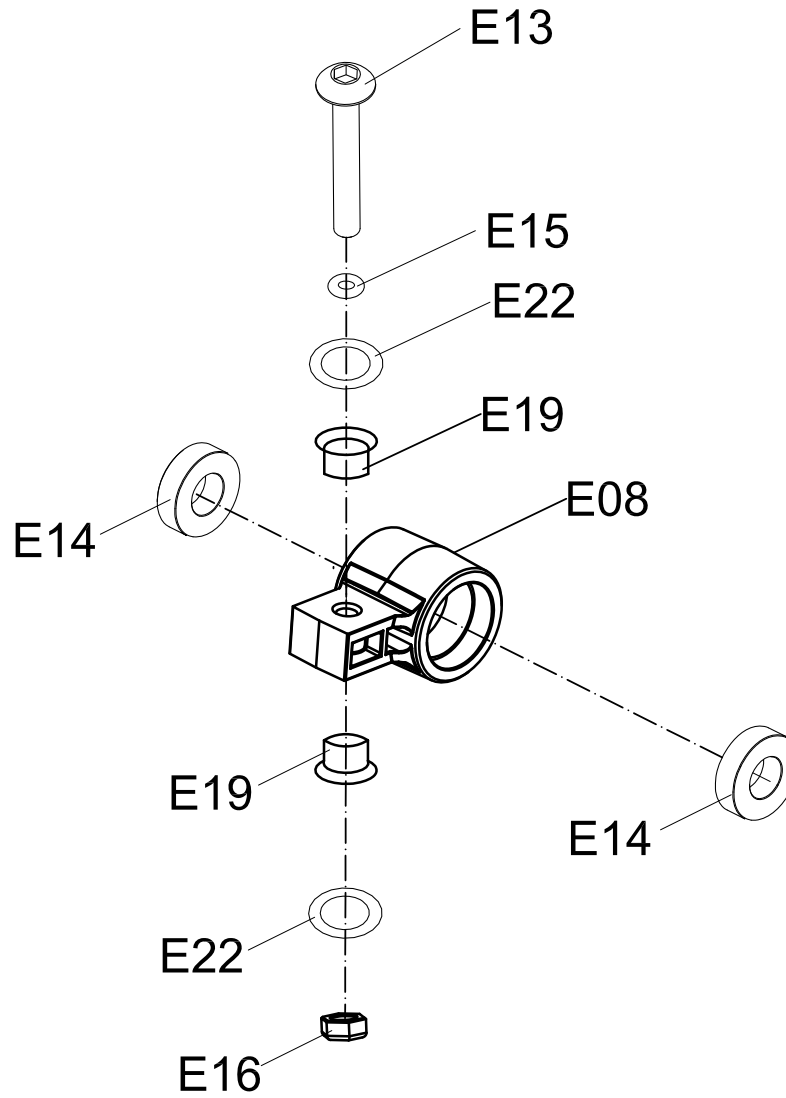
DRAWING NO	EP553-A16		
PART NAME	Pedal Arm Set;Left		
PART NO	1000217139	REV	A
APPROVE		DATE	



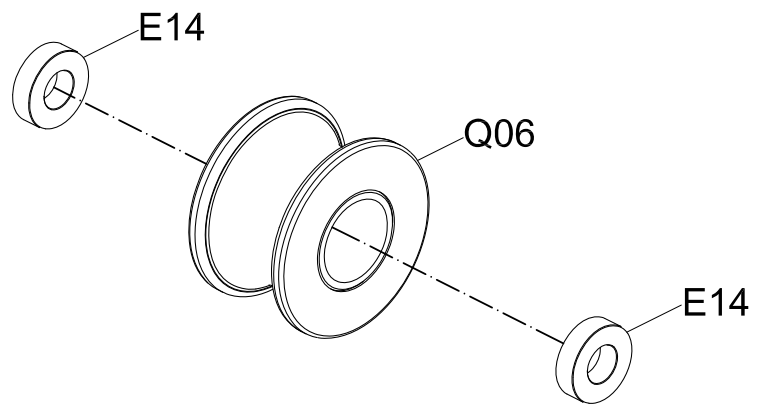
DRAWING NO	EP553-A19		
PART NAME	Pedal Arm Set;Right		
PART NO	1000217141	REV	A
APPROVE		DATE	



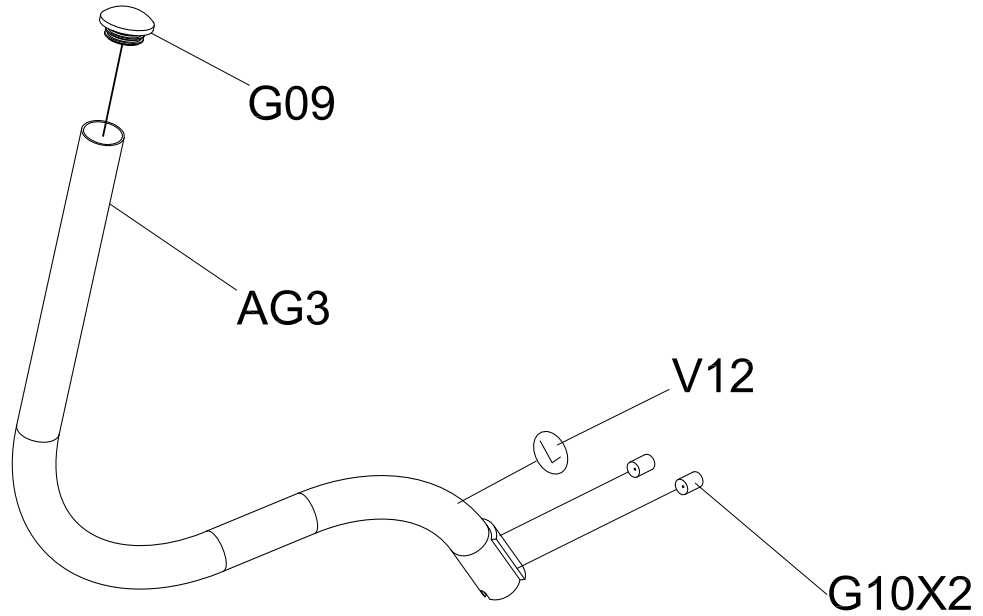
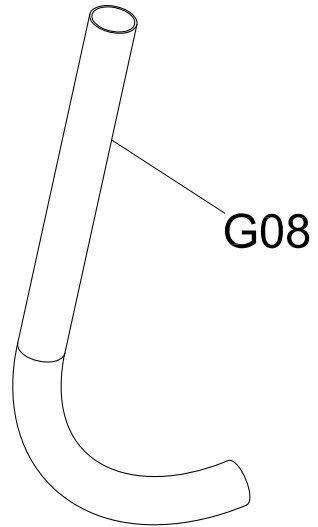
DRAWING NO	EP553-A17		
PART NAME	Crank Pin Sleeve		
PART NO	1000217140	REV	A
APPROVE		DATE	



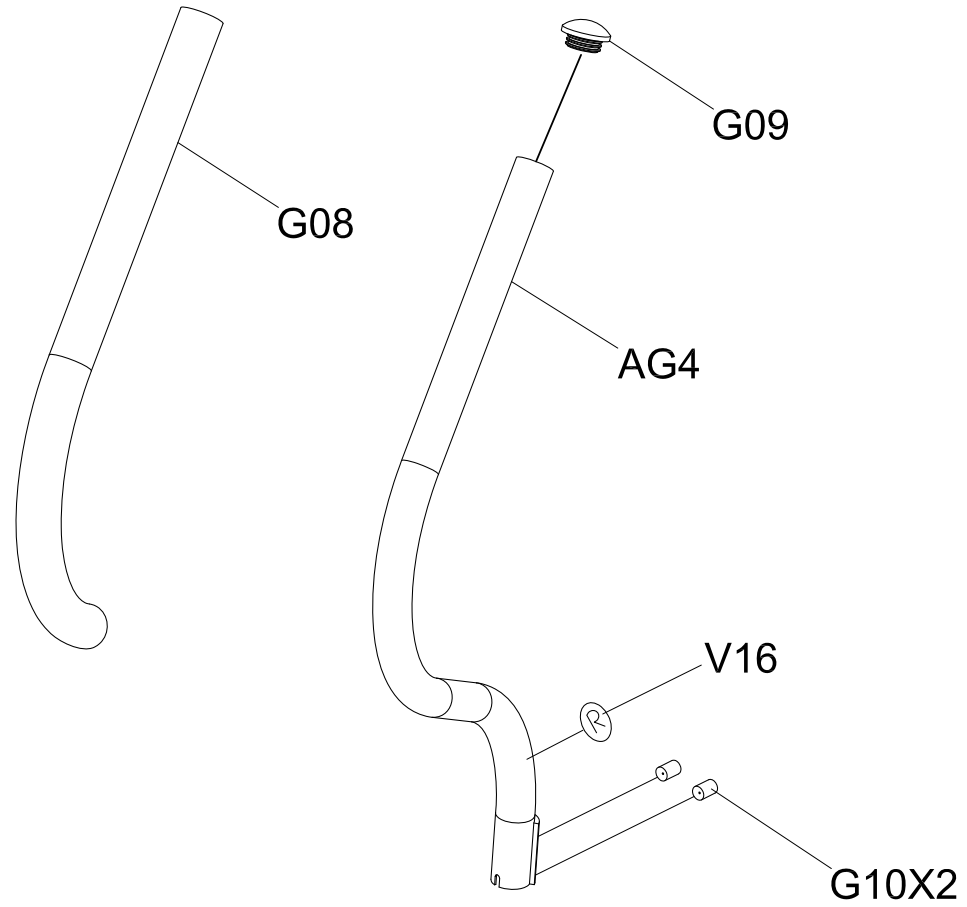
DRAWING NO	EP553-A18		
PART NAME	Roller Set		
PART NO	1000212646	REV	A
APPROVE		DATE	



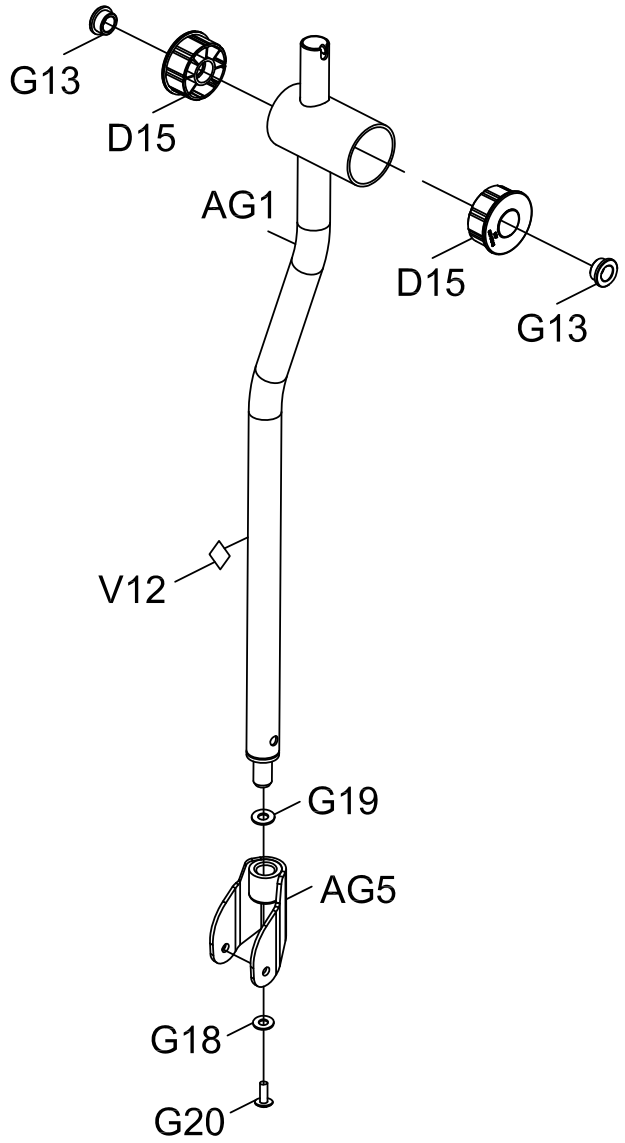
DRAWING NO	EP552-A14		
PART NAME	Arm Rest Set;L/U		
PART NO	1000217252	REV	A
APPROVE		DATE	



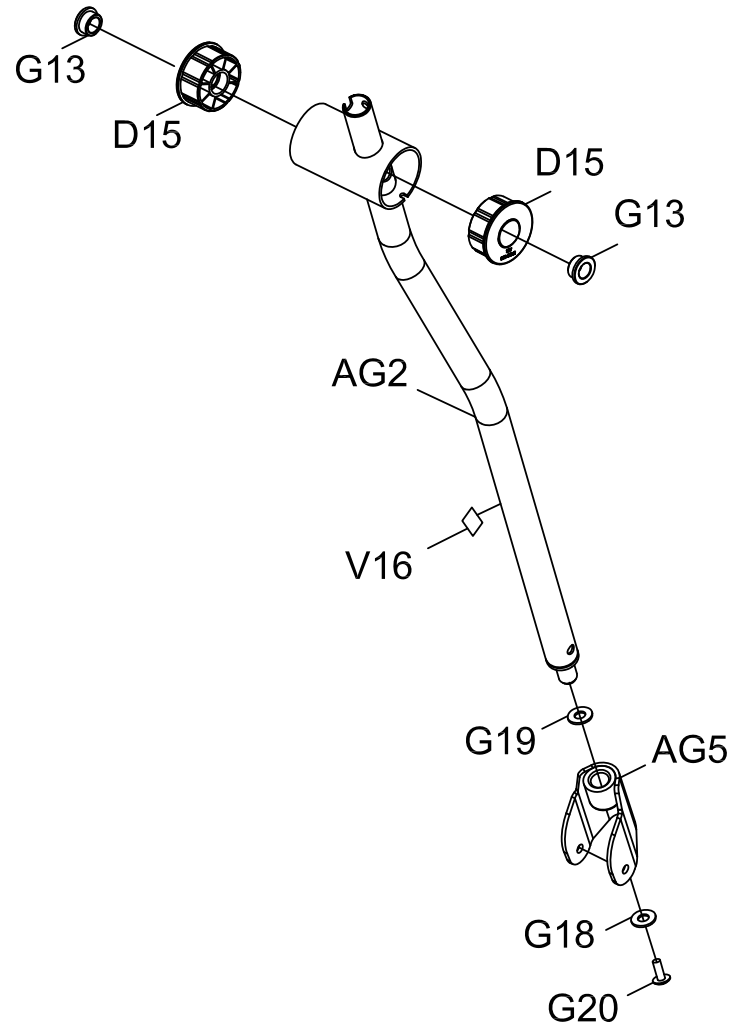
DRAWING NO	EP552-A15		
PART NAME	Arm Rest Set;R/U		
PART NO	1000217253	REV	A
APPROVE		DATE	



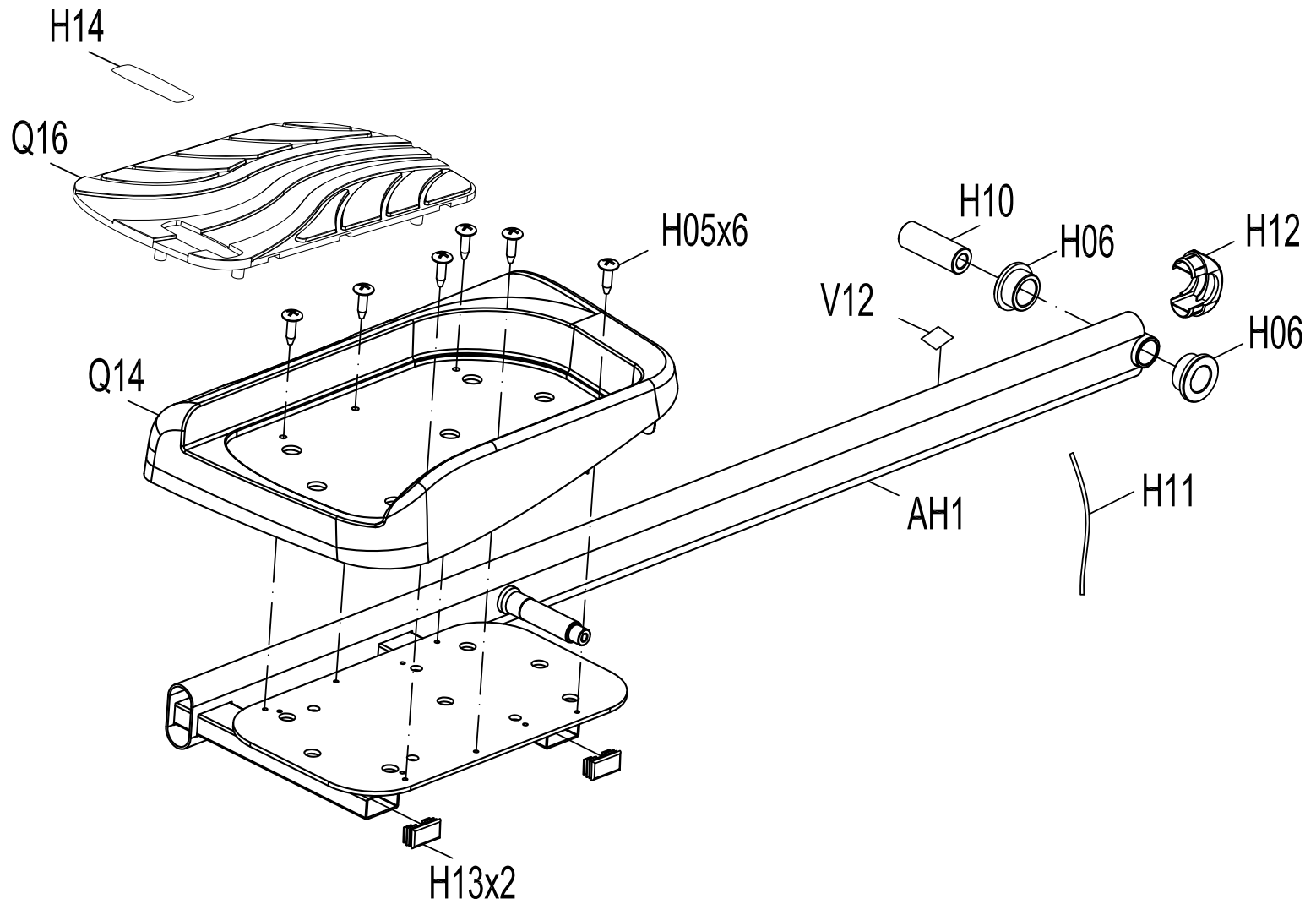
DRAWING NO	EP553-A24		
PART NAME	LEFT LOWER HANDLEBAR SET		
PART NO	1000217144	REV	A
APPROVE		DATE	



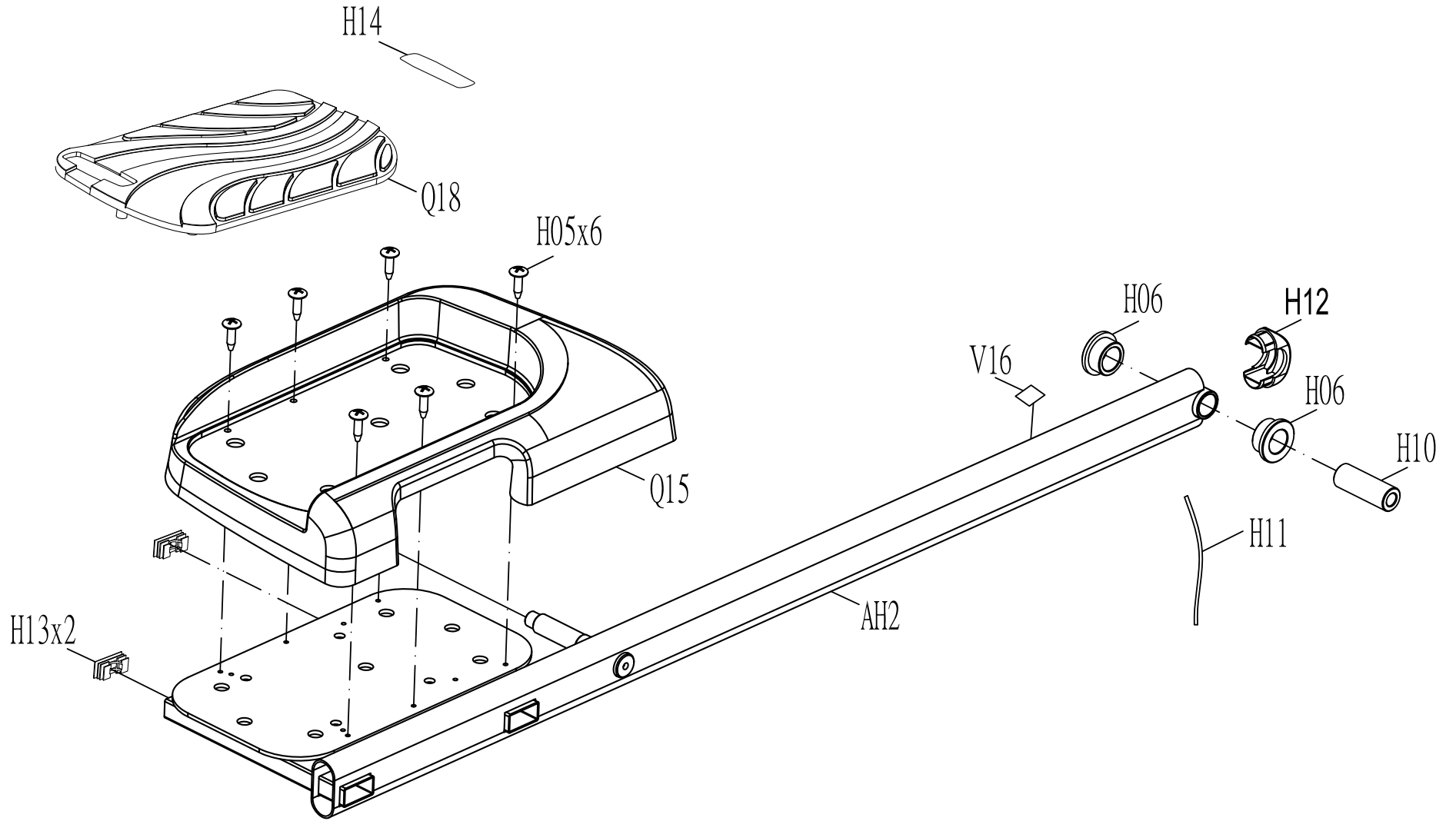
DRAWING NO	EP553-A25		
PART NAME	RIGHT LOWER HANDLEBAR SET		
PART NO	1000217145	REV	A
APPROVE		DATE	



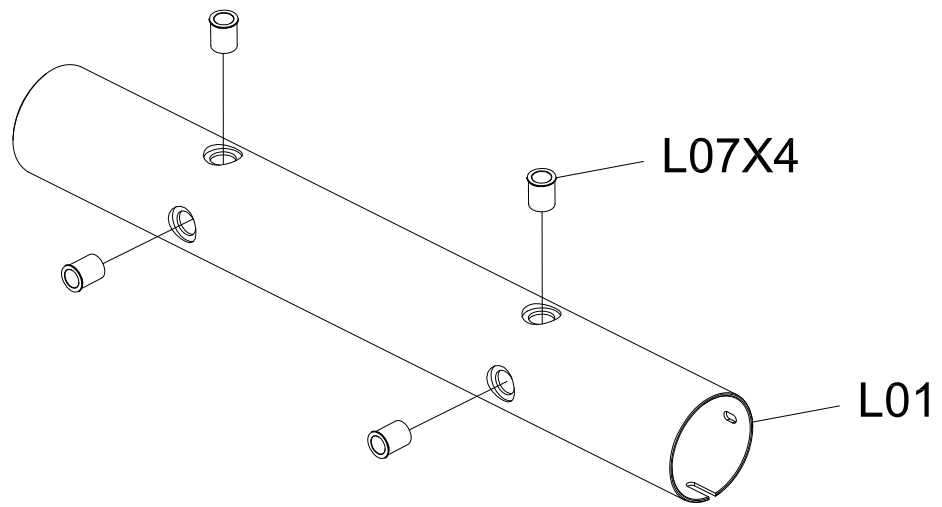
DRAWING NO	EP552-A16		
PART NAME	LEFT PEDAL ARM SET		
PART NO	1000217254	REV	A
APPROVE		DATE	



DRAWING NO	EP552-A17		
PART NAME	RIGHT PEDAL ARM SET		
PART NO	1000217255	REV	A
APPROVE		DATE	



DRAWING NO	EP553-A28		
PART NAME	Front Stabilizer SET		
PART NO	1000217148	REV	A
APPROVE		DATE	



DRAWING NO	EP553-A18		
PART NAME	Pulley		
PART NO	1000217586	REV	A
APPROVE		DATE	

