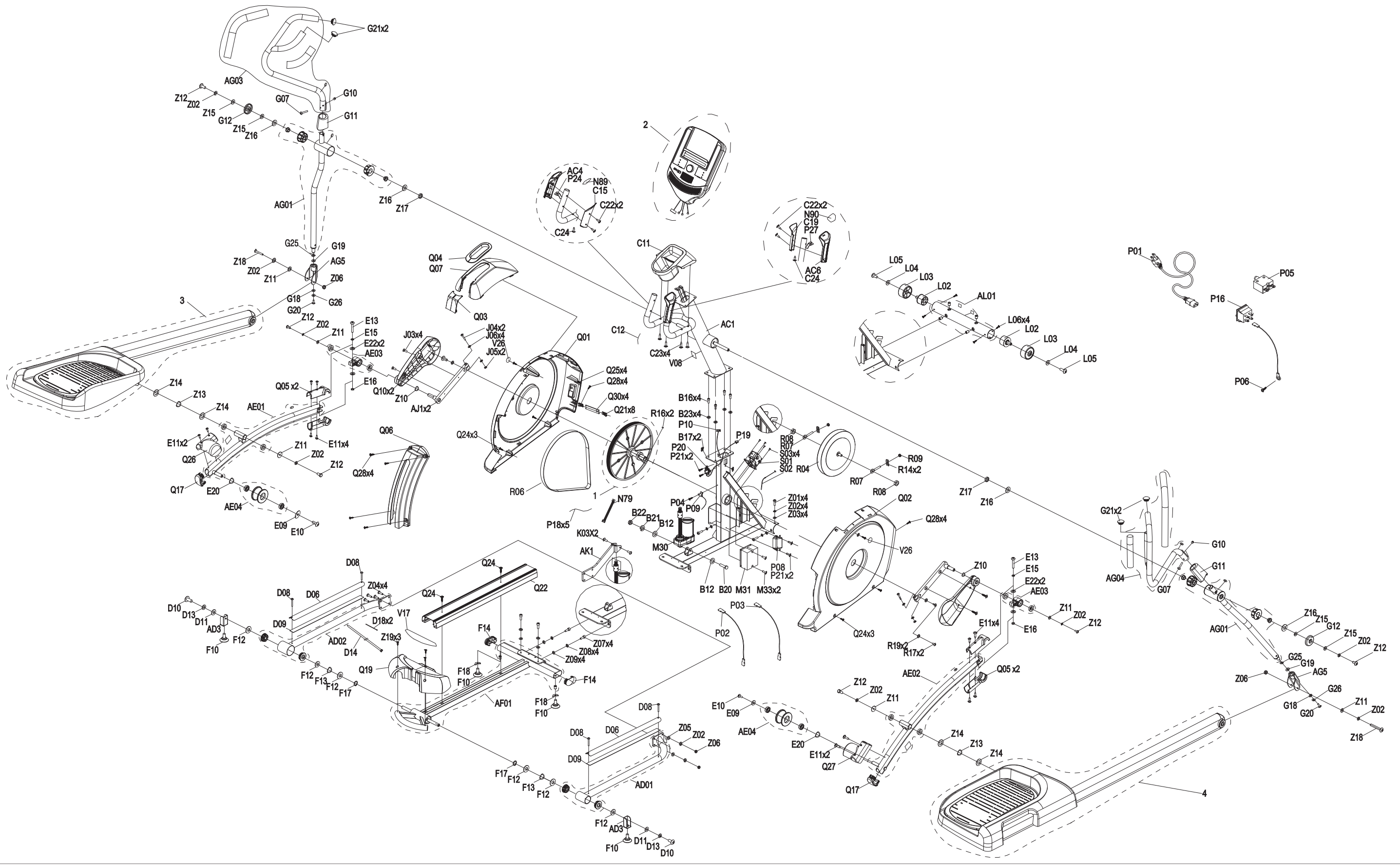
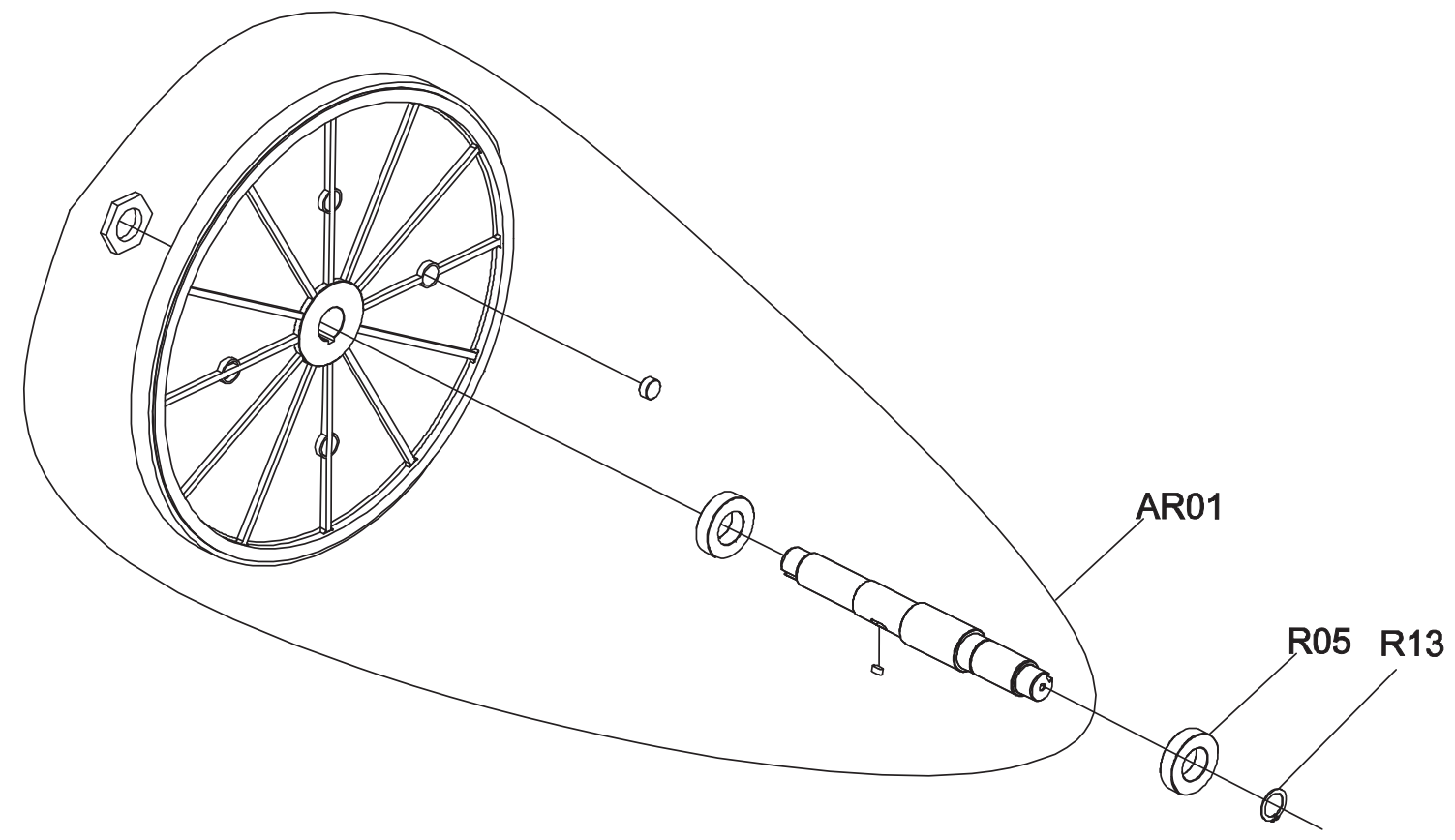


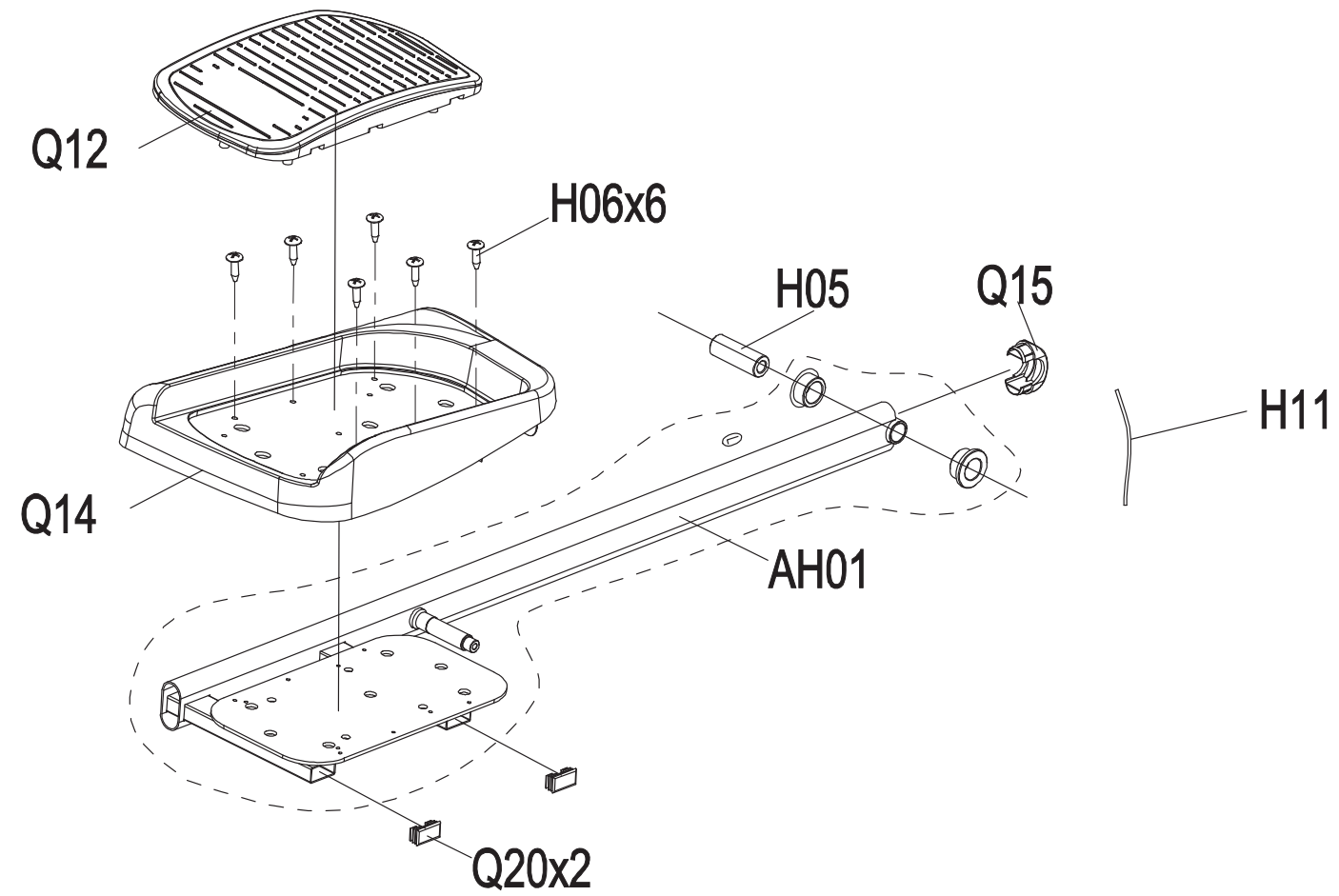
DRAWING NO	PEP506-1US		
PART NAME	Explosive Drawing		
PART NO	HEP0548-00	REV	E
APPROVE	YANGJIANNING	DATE	2016.12.07



DRAWING NO	EP596-A11		
PART NAME	Drive Axle Set		
PART NO	1000383203	REV	A
APPROVE	YANGJIANNING	DATE	2016.01.06



DRAWING NO	EP596-A13		
PART NAME	Link Arm Set;L		
PART NO	1000397832	REV	A
APPROVE	Yangjianning	DATE	2016.09.21



DRAWING NO	EP596-A14		
PART NAME	Link Arm Set;R		
PART NO	1000397833	REV	A
APPROVE	Yangjianning	DATE	2016.09.21

