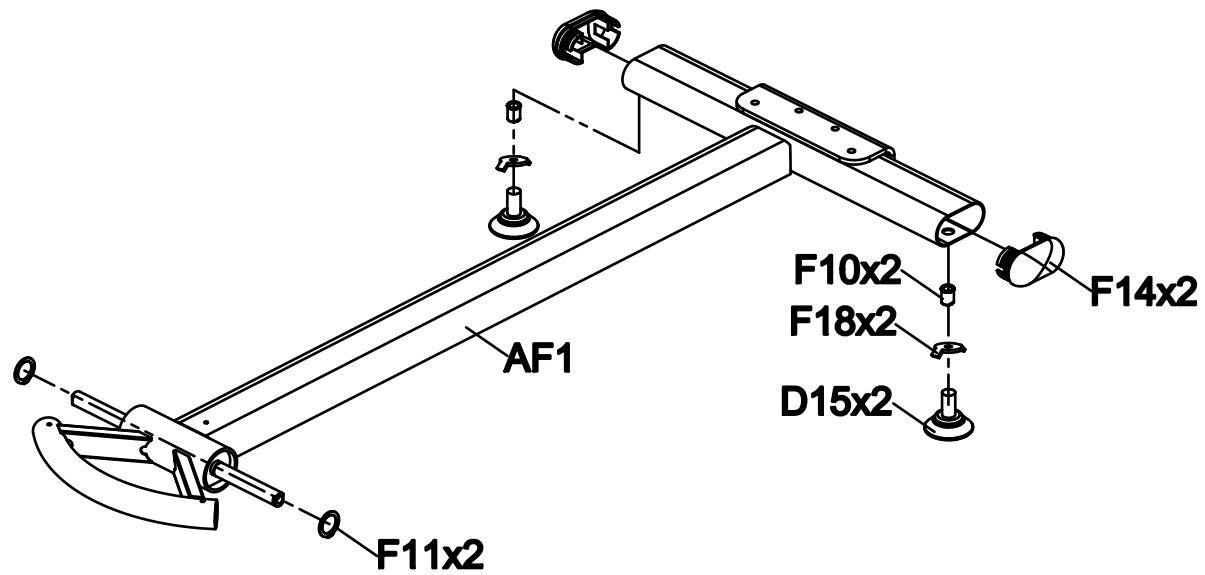
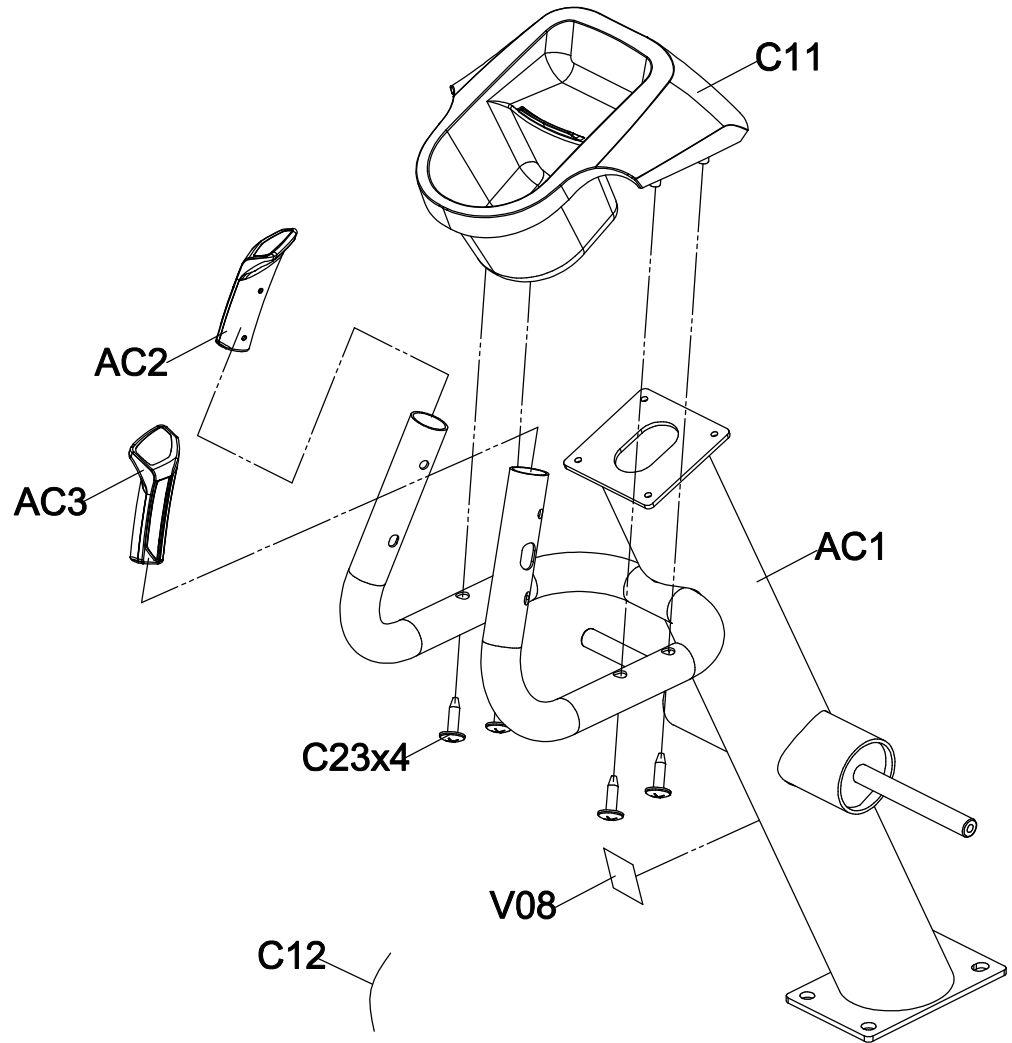


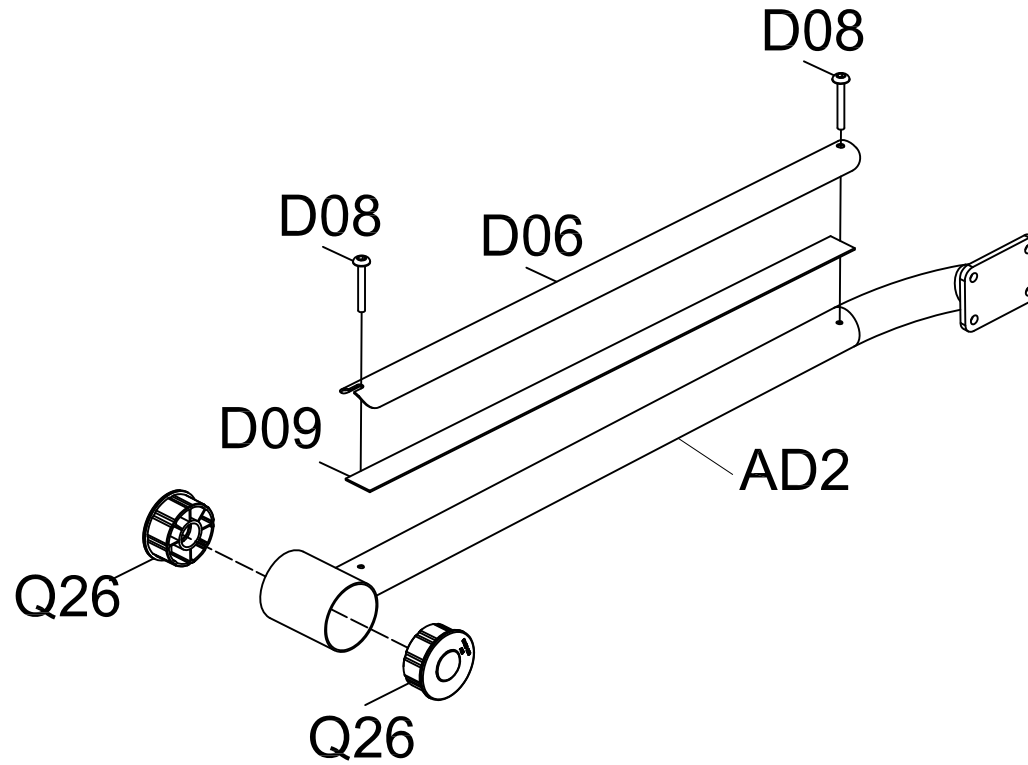
DRAWING NO	EP558E-A11		
PART NAME	Back Frame Set		
PART NO	1000346830		A
APPROVE	shaohy	DATE	2014.4.20



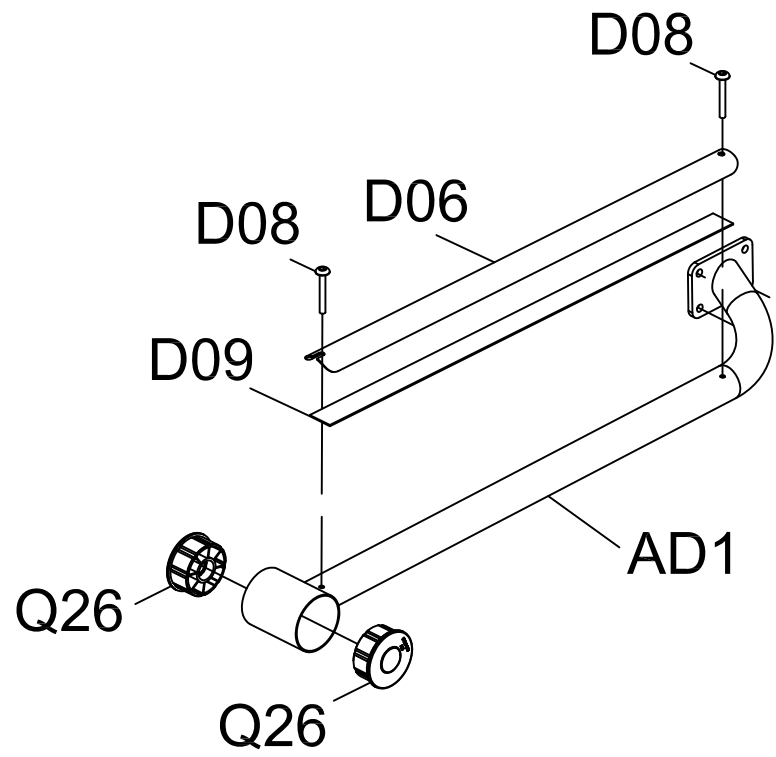
DRAWING NO	EP558E-A12		
PART NAME	Console Maste Set		
PART NO	1000346191	REV	A
APPROVE	Shaohy	DATE	2014.04.03



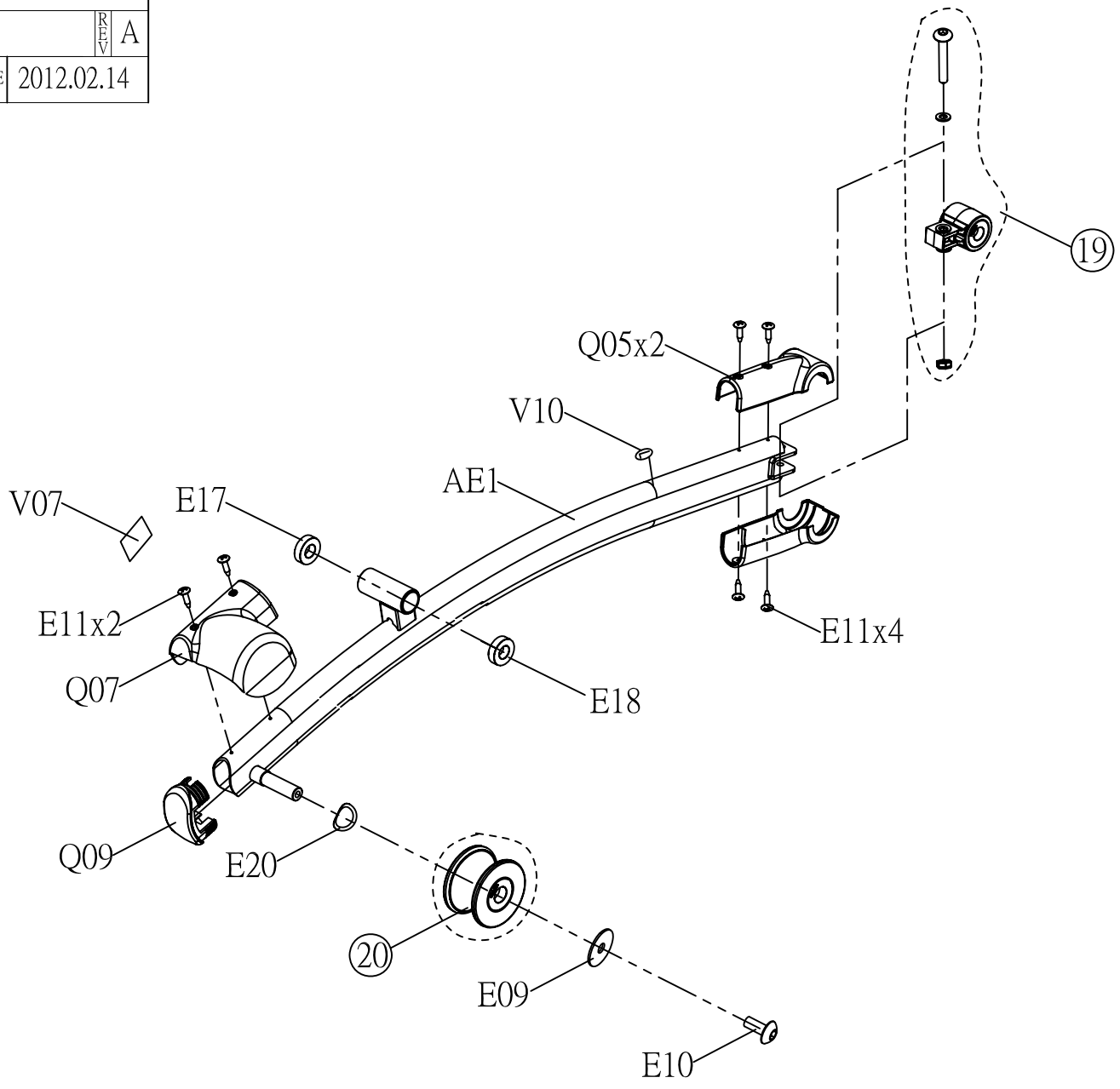
DRAWING NO	EP573-A14		
PART NAME	Left Guide rail set		
PART NO	1000305218	REV	A
APPROVE	fuzifeng	DATE	2013.1.4



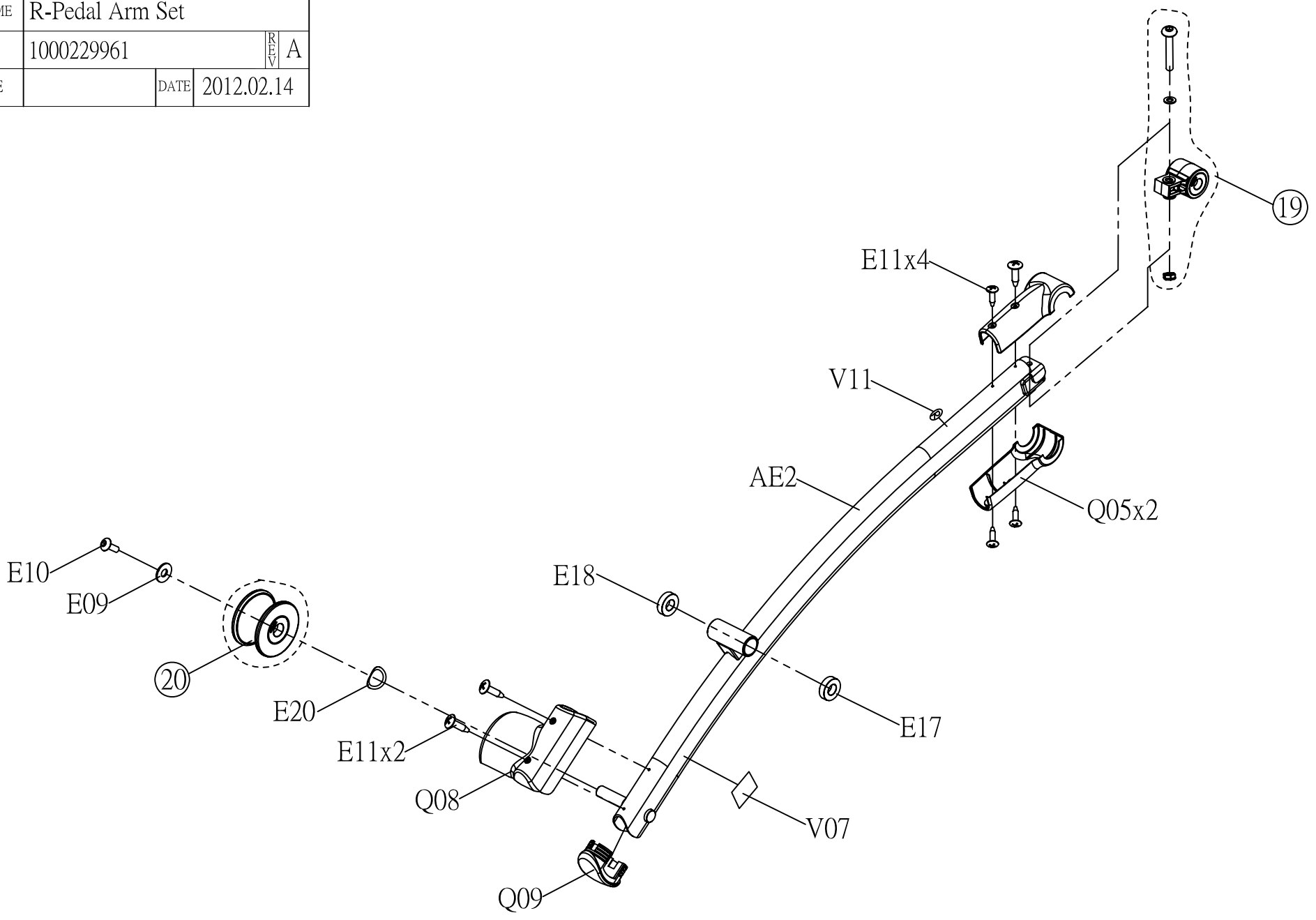
DRAWING NO	EP573-A15		
PART NAME	Right Guide rail set		
PART NO	1000305219	REV	A
APPROVE	fuzifeng	DATE	2013.1.4



DRAWING NO	EP558-A15		
PART NAME	L-Pedal Arm Set		
PART NO	1000229960	REV	A
APPROVE		DATE	2012.02.14

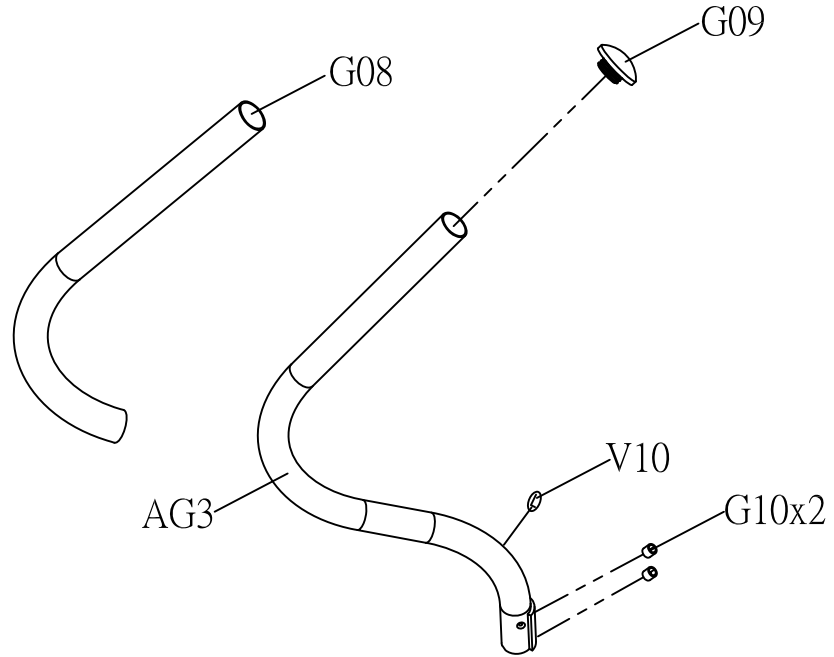


DRAWING NO	EP558-A16		
PART NAME	R-Pedal Arm Set		
PART NO	1000229961	REV	A
APPROVE		DATE	2012.02.14



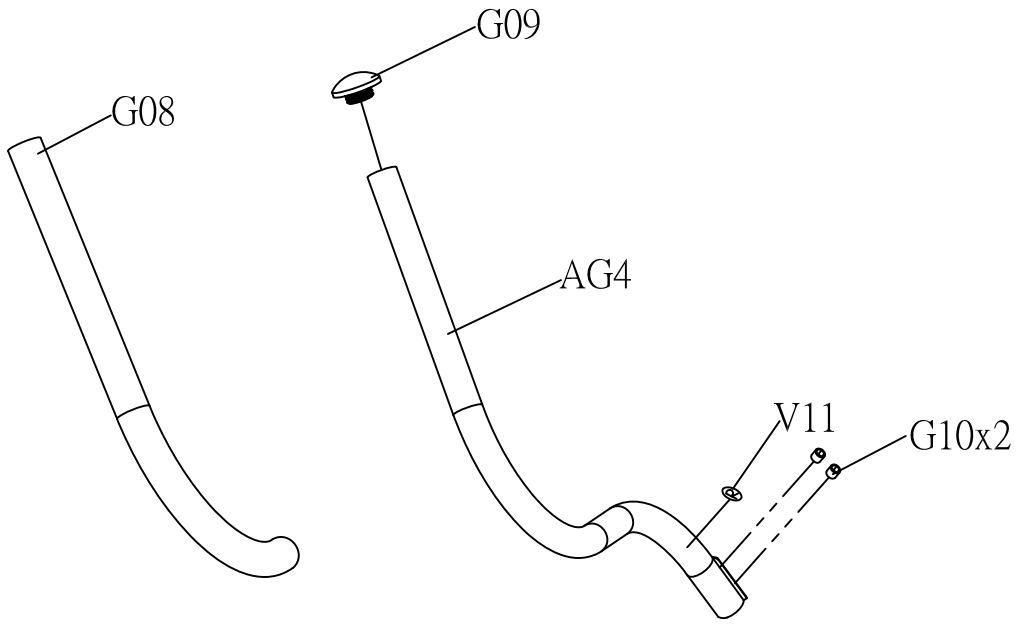
DRAWING NO	EP558-A17		
PART NAME	Arm Rest Set;L U;		
PART NO	1000229963	REV	A
APPROVE	Dary	DATE	2012.02.14

Part NO	Description
1000230602	Arm Rest Set;L U;S-EP558B;

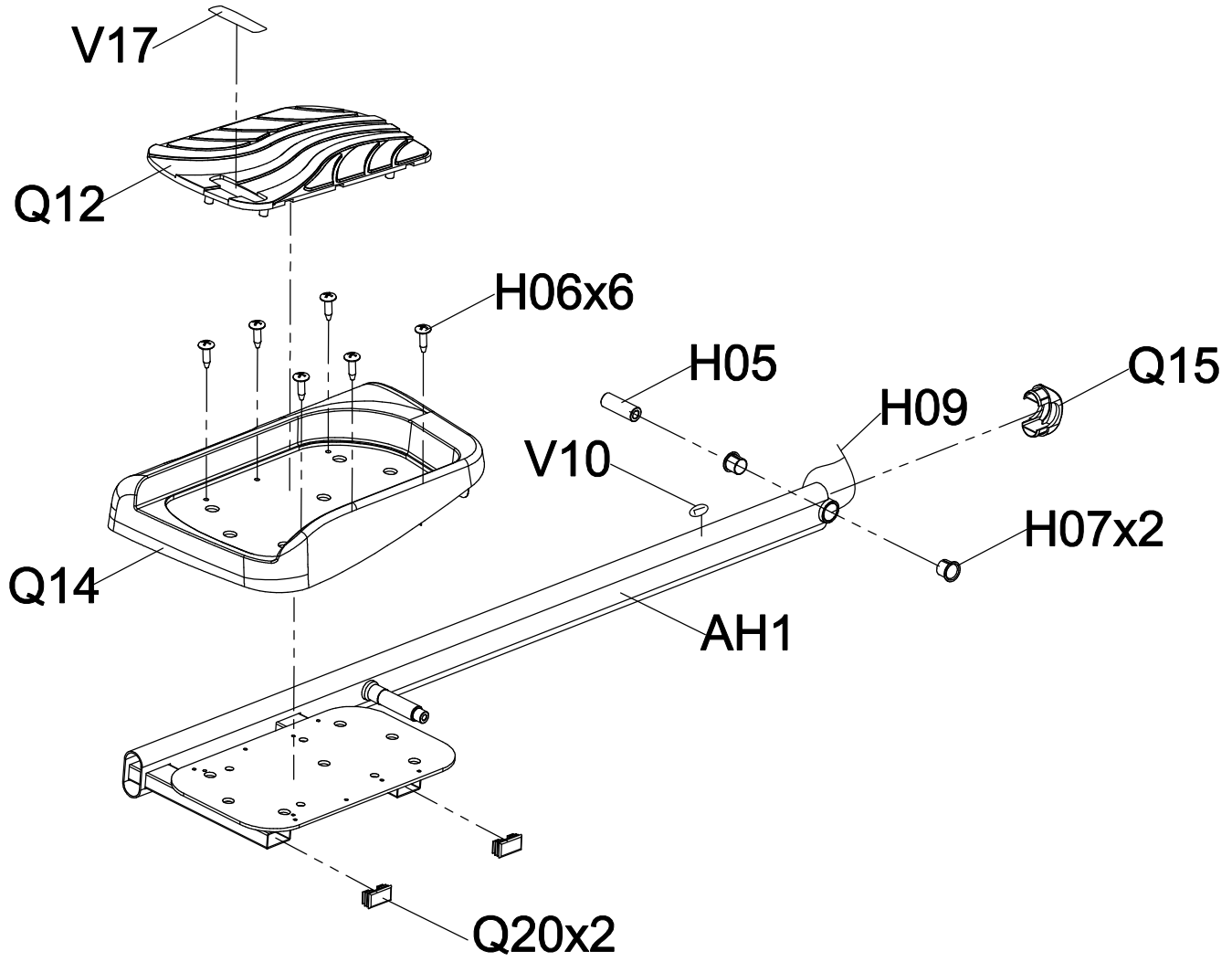


DRAWING NO	EP558-A18		
PART NAME	Arm Rest Set;R U;		
PART NO	1000229964	REV	A
APPROVE	Dary	DATE	2012.02.14

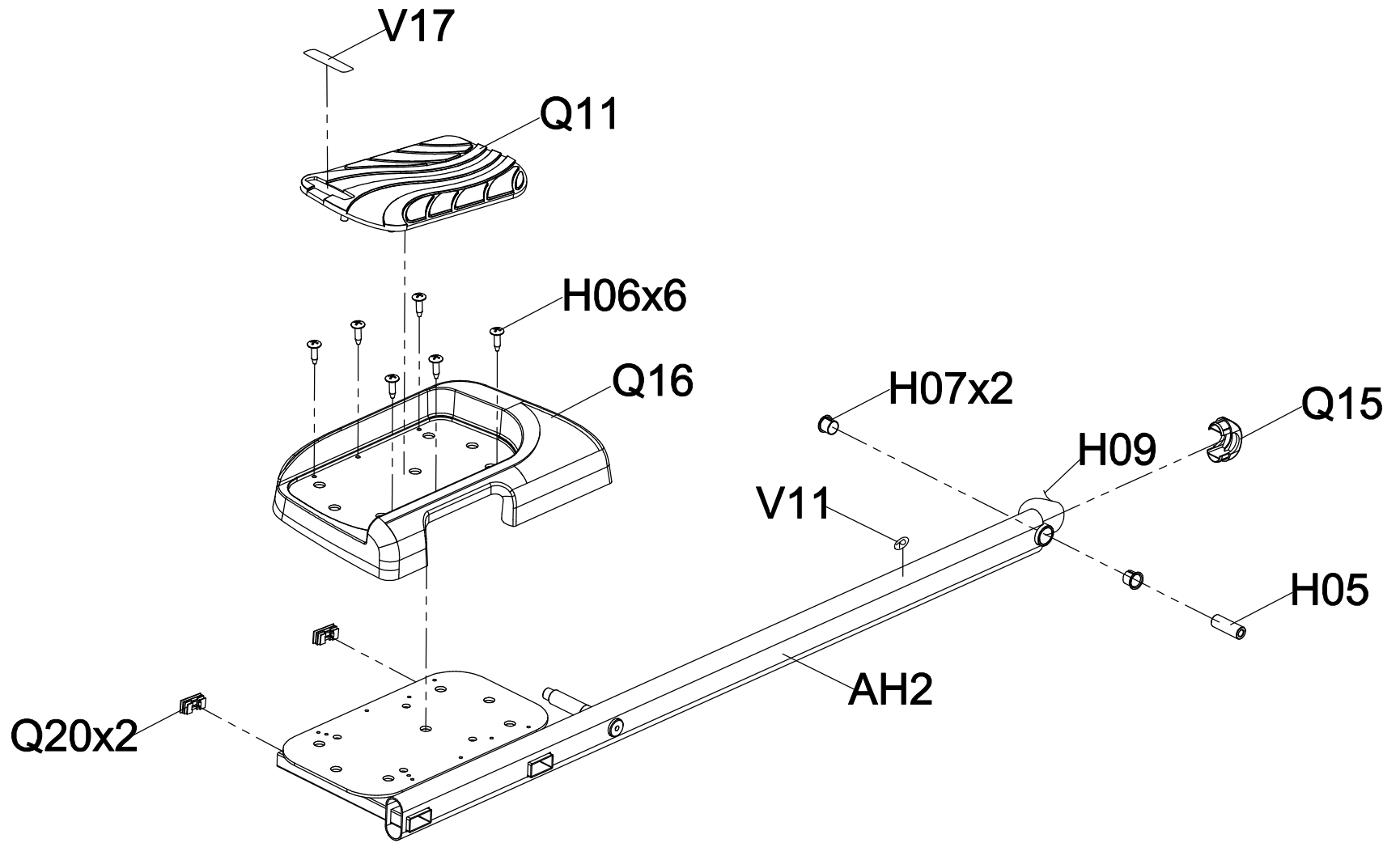
Part NO	Description
1000230603	Arm Rest Set;R U;S-EP558B;



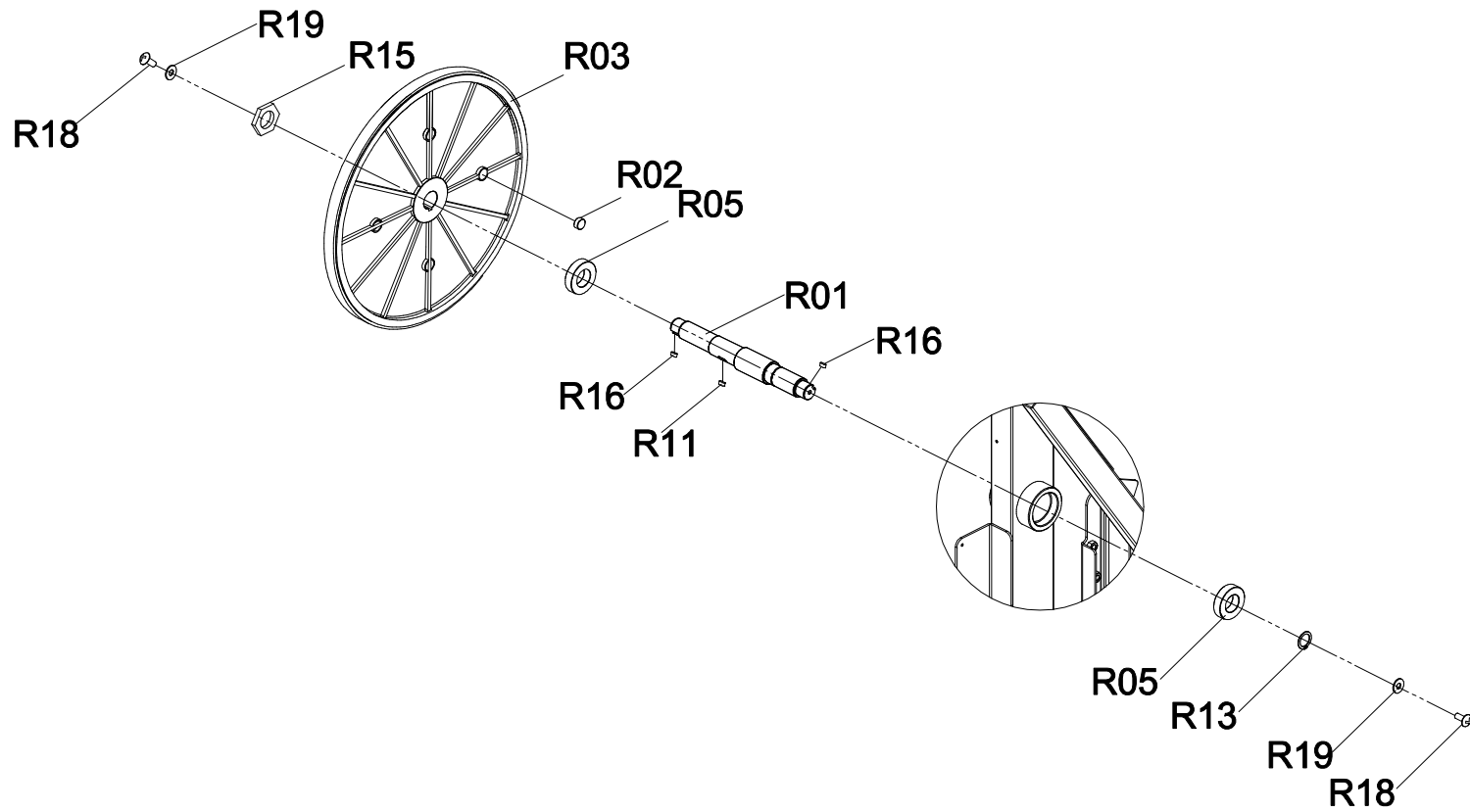
DRAWING NO	EP558E-A21		
PART NAME	L-Link Arm Set		
PART NO	1000346192	REV V	A
APPROVE	Shaohy	DATE	2014.03.25



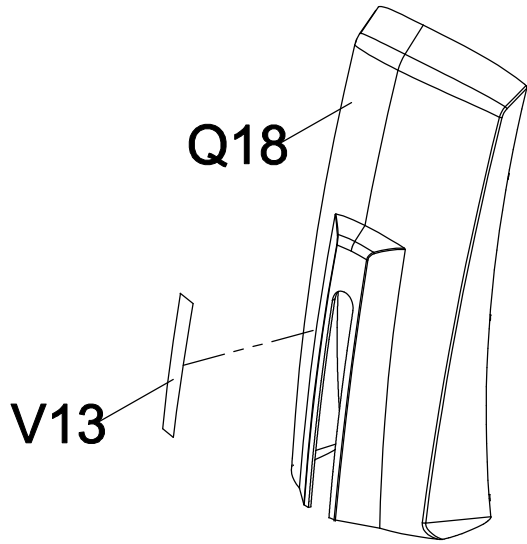
DRAWING NO	EP558E-A22		
PART NAME	R-Link Arm Set		
PART NO	1000346193	REV	A
APPROVE	Shaohy	DATE	2014.03.25



DRAWING NO	EP543-A31		
PART NAME	Driver Axle Det		
PART NO	1000205360	REV	B
APPROVE	shaohy	DATE	2014.04.23

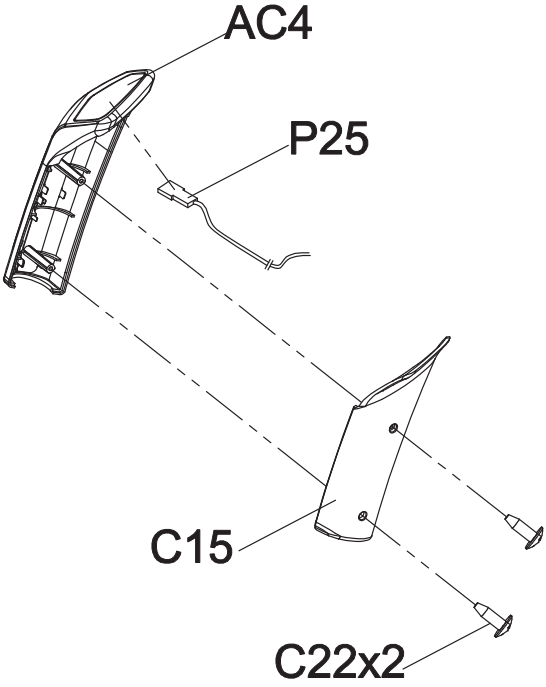



DRAWING NO	EP558E-A27		
PART NAME	Cover Set;Middle tube		
PART NO	1000346194	REV	A
APPROVE	Shaohy	DATE	2014.03.25



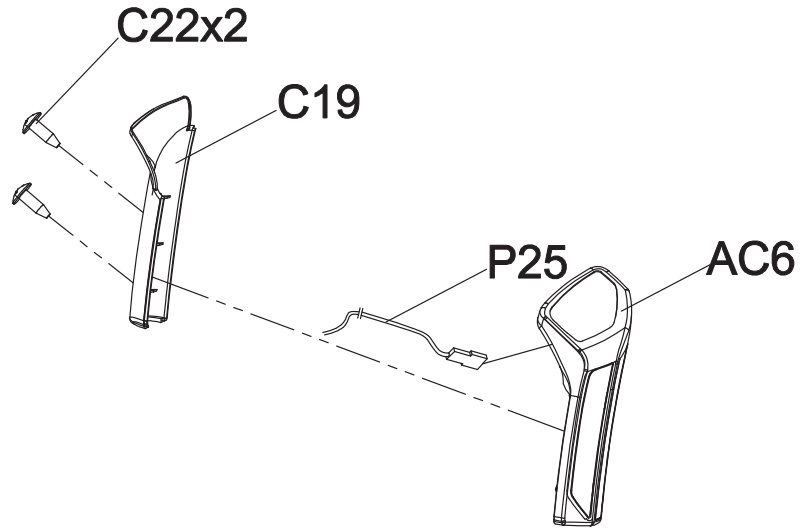
DRAWING NO	EP558-A32		
PART NAME	Sensor Set;L;S-EP558;AR		
PART NO	1000222883	REV	A
APPROVE	Shaohy	DATE	2014.03.25

Part NO	Description
1000337595	Sensor Set;L;EP585;AR;

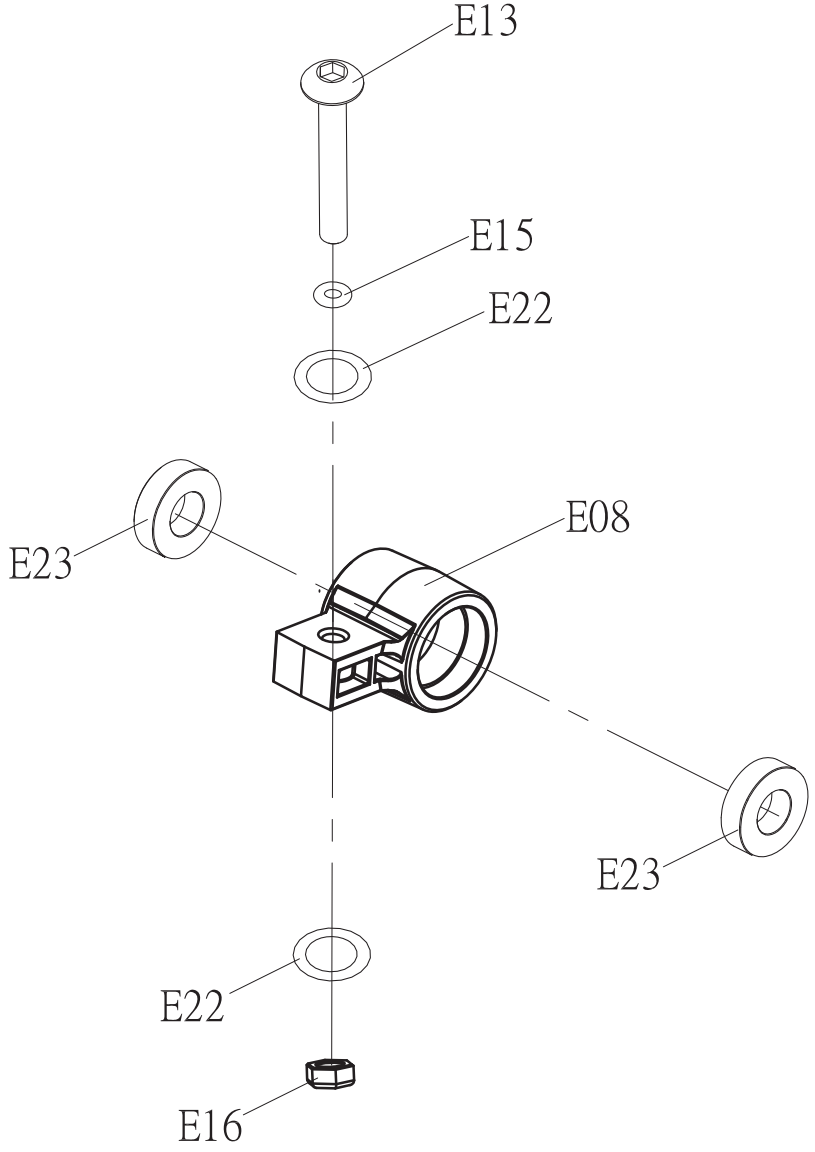


DRAWING NO	EP558-A33		
PART NAME	Sensor Set;R;S-EP558;AR		
PART NO	1000222901		A
APPROVE	Shaohy	DATE	2014.03.25

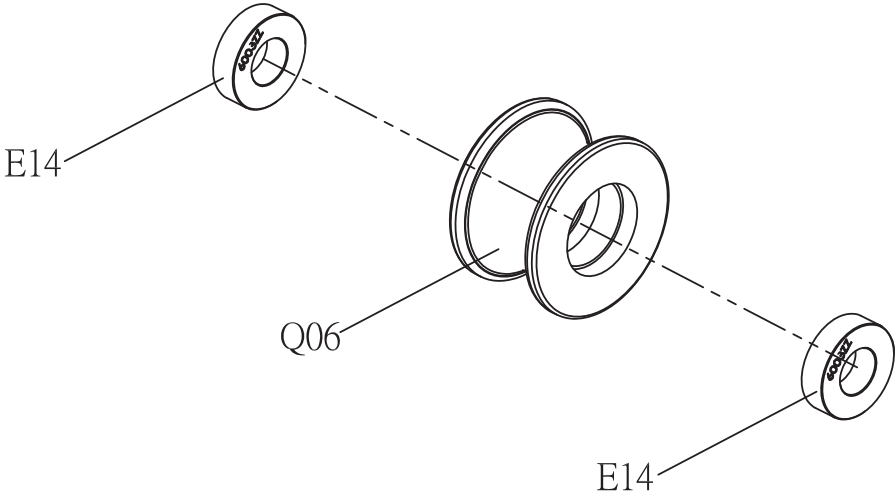
Part NO	Description
1000337601	Sensor Set;R;EP585;AR



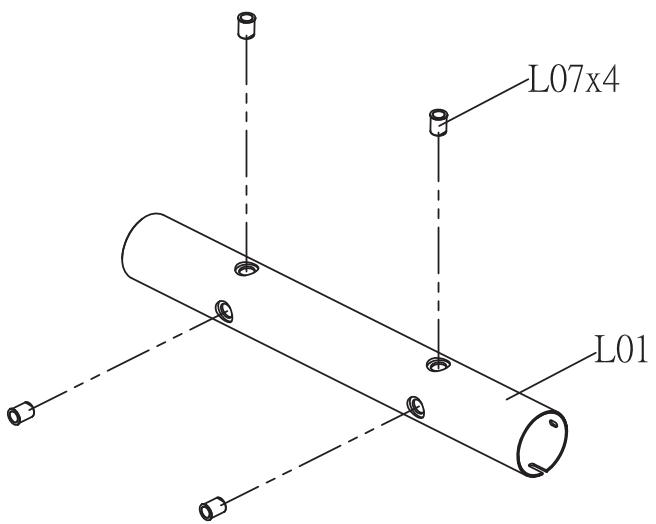
DRAWING NO	EP525-A19		
PART NAME	Crank Pin Set		
PART NO	1000111650	REV	B
APPROVE	xubowen	DATE	120114



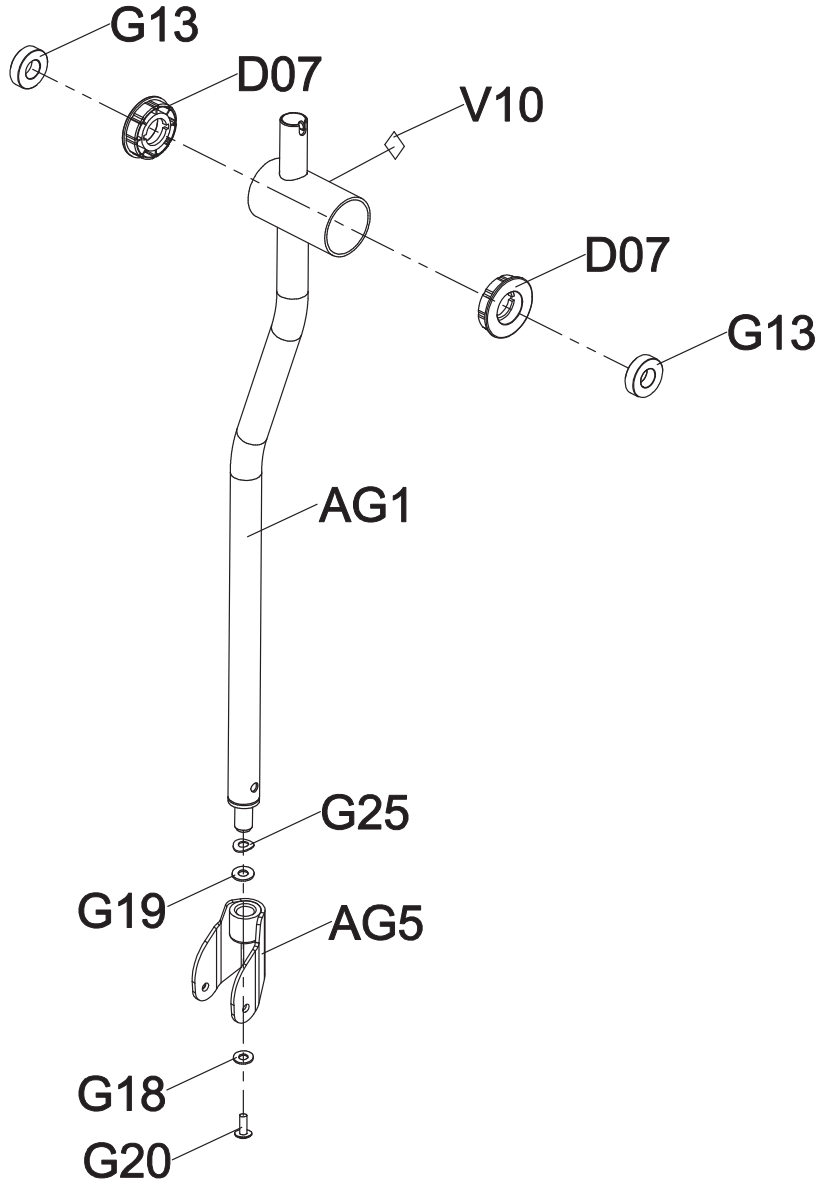
DRAWING NO	EP558-A26		
PART NAME	Roller Set		
PART NO	1000229962	REV	A
APPROVE	Dary	DATE	2012.06.08



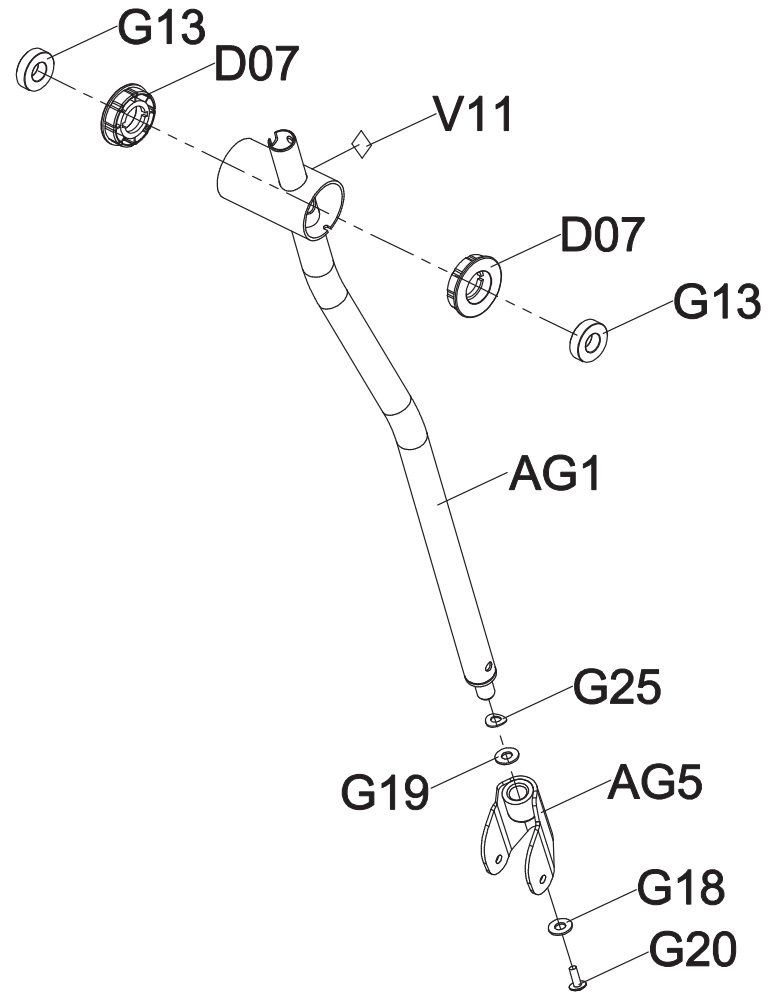
DRAWING NO	EP558-A23		
PART NAME	Stabilizer Set		
PART NO	1000229969	REV	A
APPROVE	Dary	DATE	2012.02.14



DRAWING NO	EP558E-A19		
PART NAME	Handlebar Set;LD;		
PART NO	1000347424	REV	A
APPROVE	shaohy	DATE	2014.04.30



DRAWING NO	EP558E-A20		
PART NAME	Handlebar Set;RD;		
PART NO	1000347425	REV	A
APPROVE	shaohy	DATE	2014.04.30



DRAWING NO	EP558E-AN1		
PART NAME	Console Set		
PART NO	1000343397	REV	A
APPROVE	Shaohy	DATE	2014.03.25

