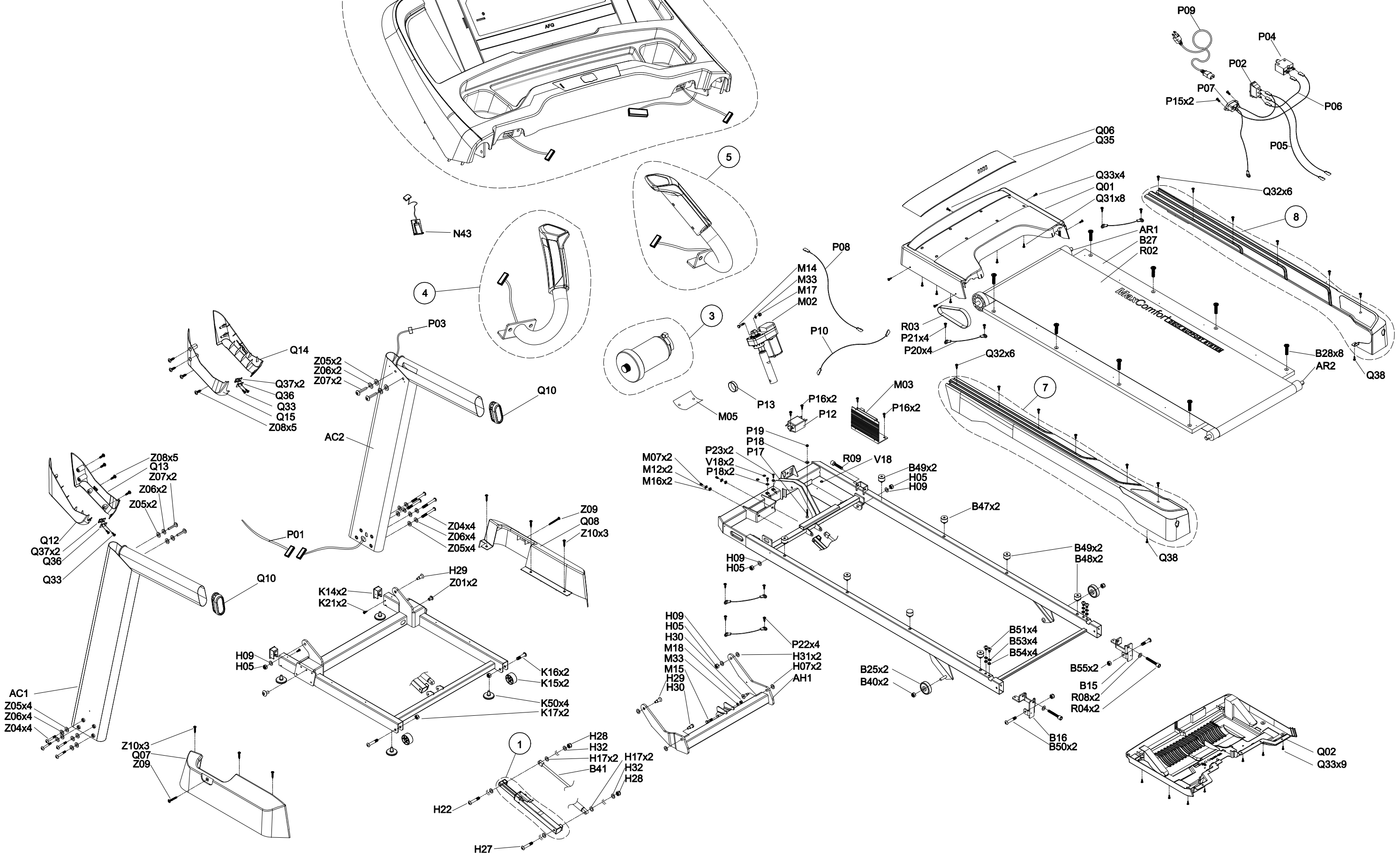
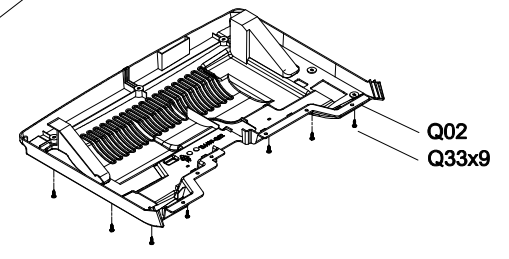
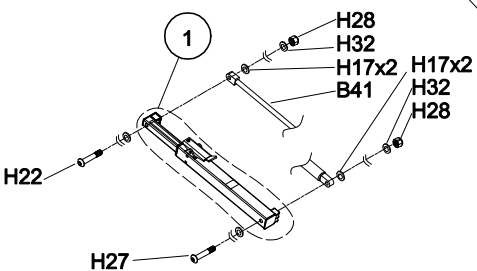
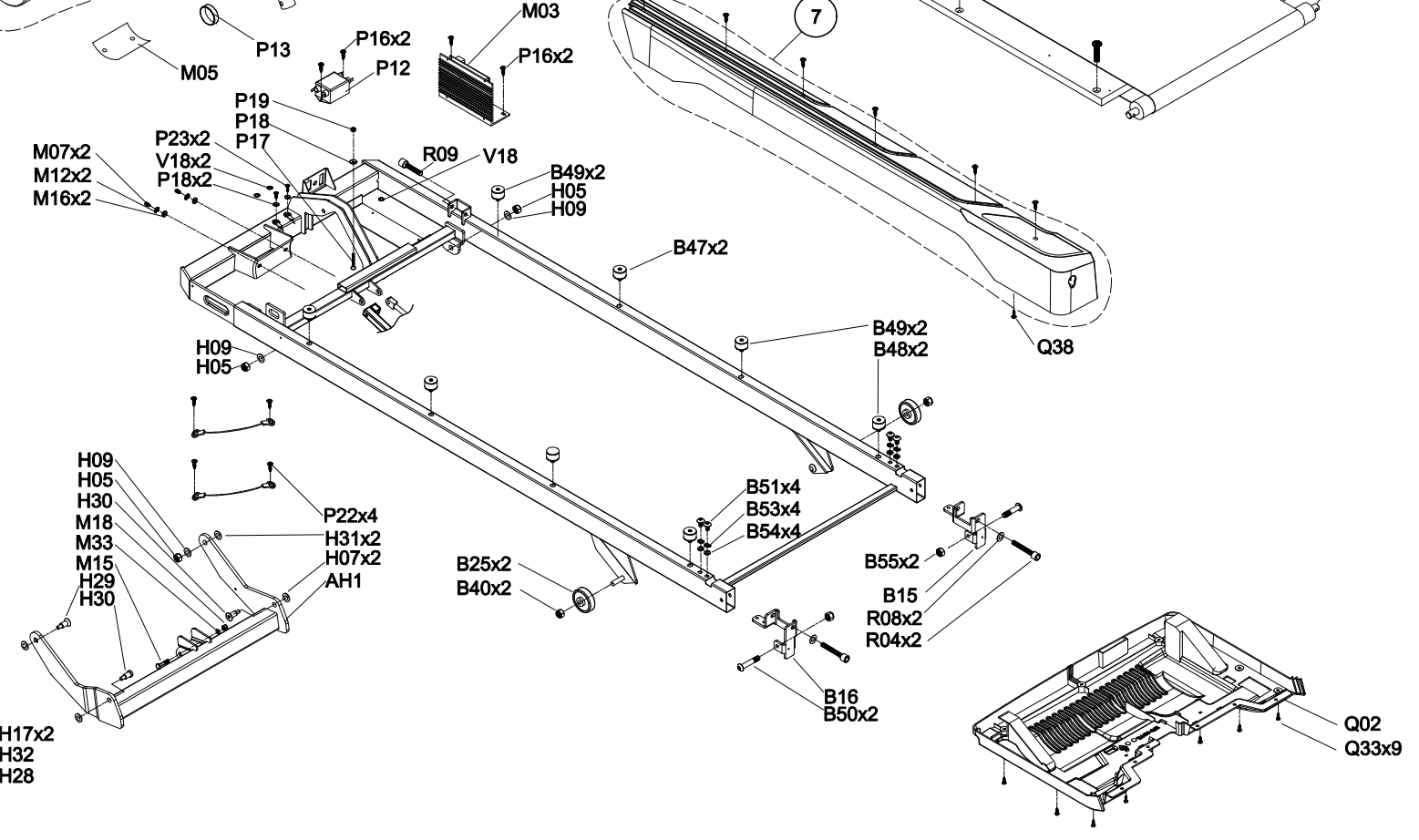
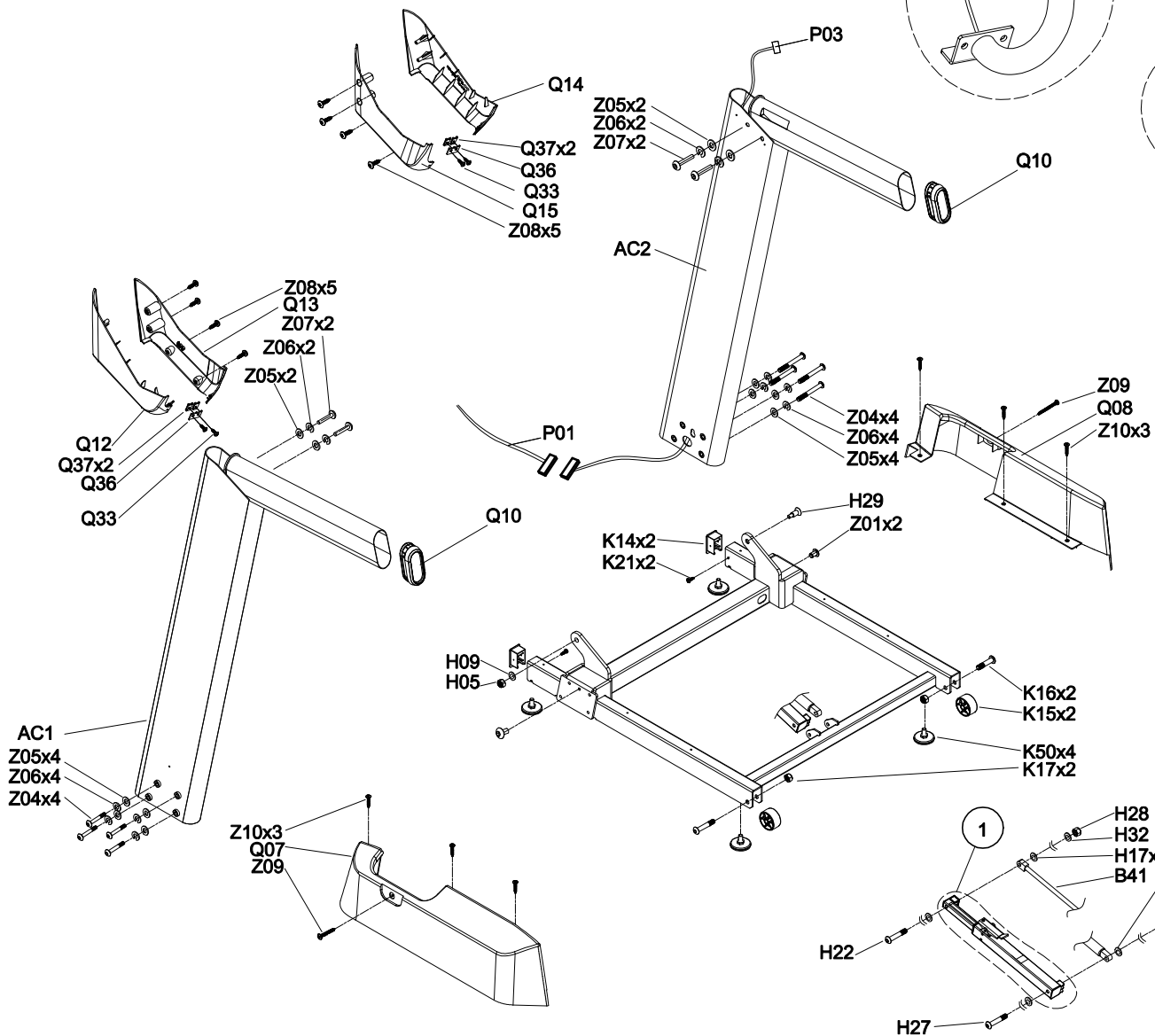
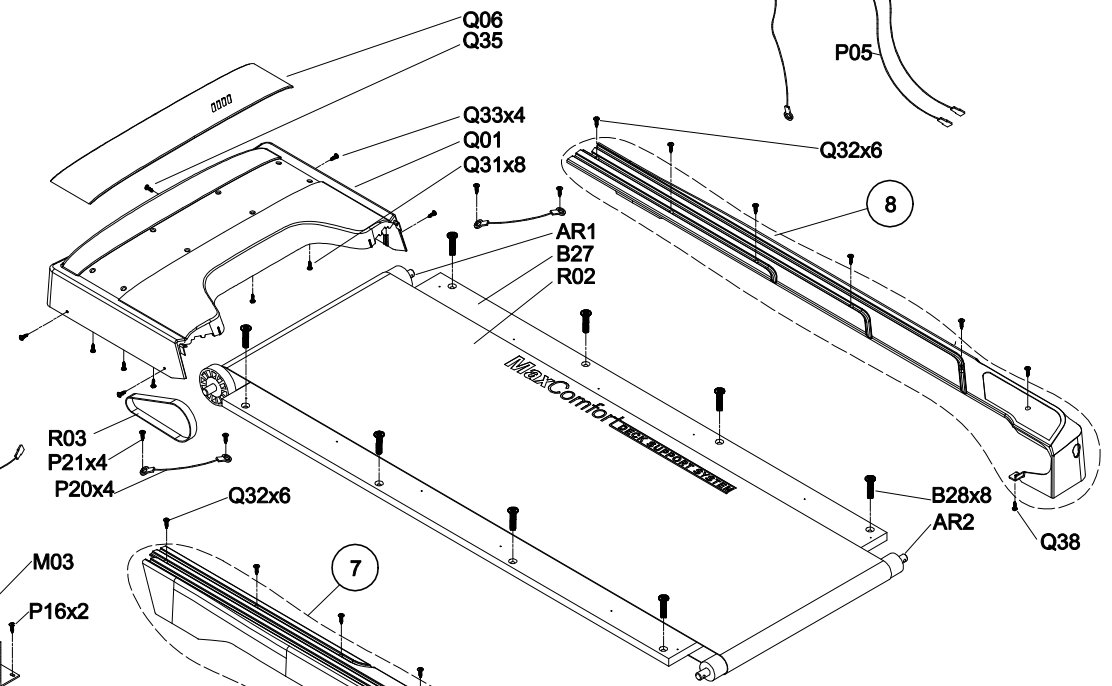
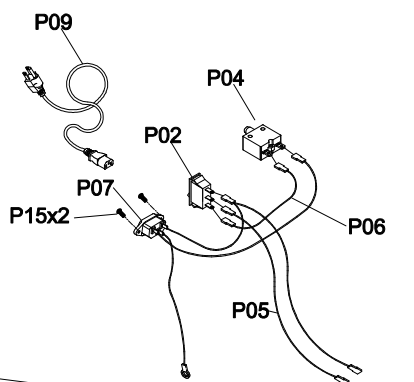
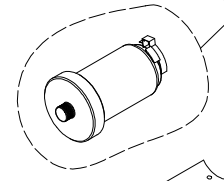
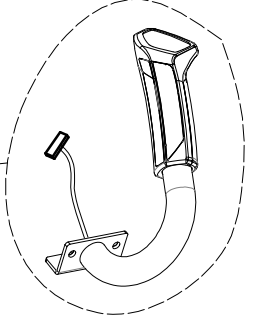
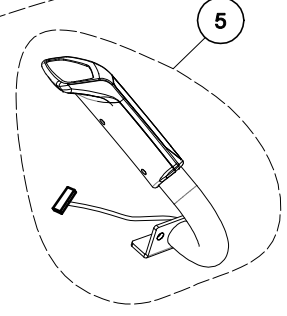
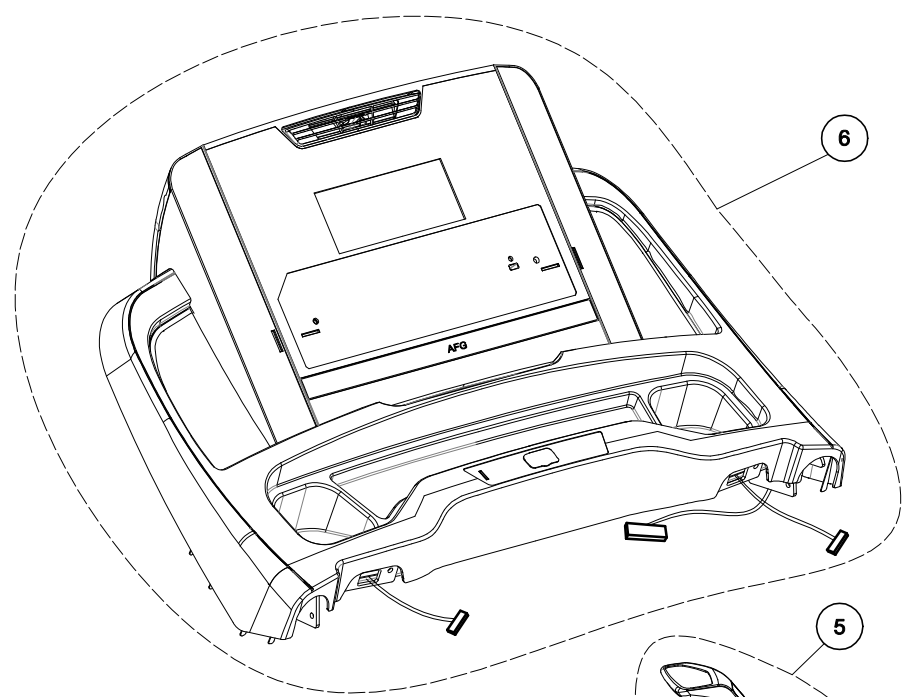
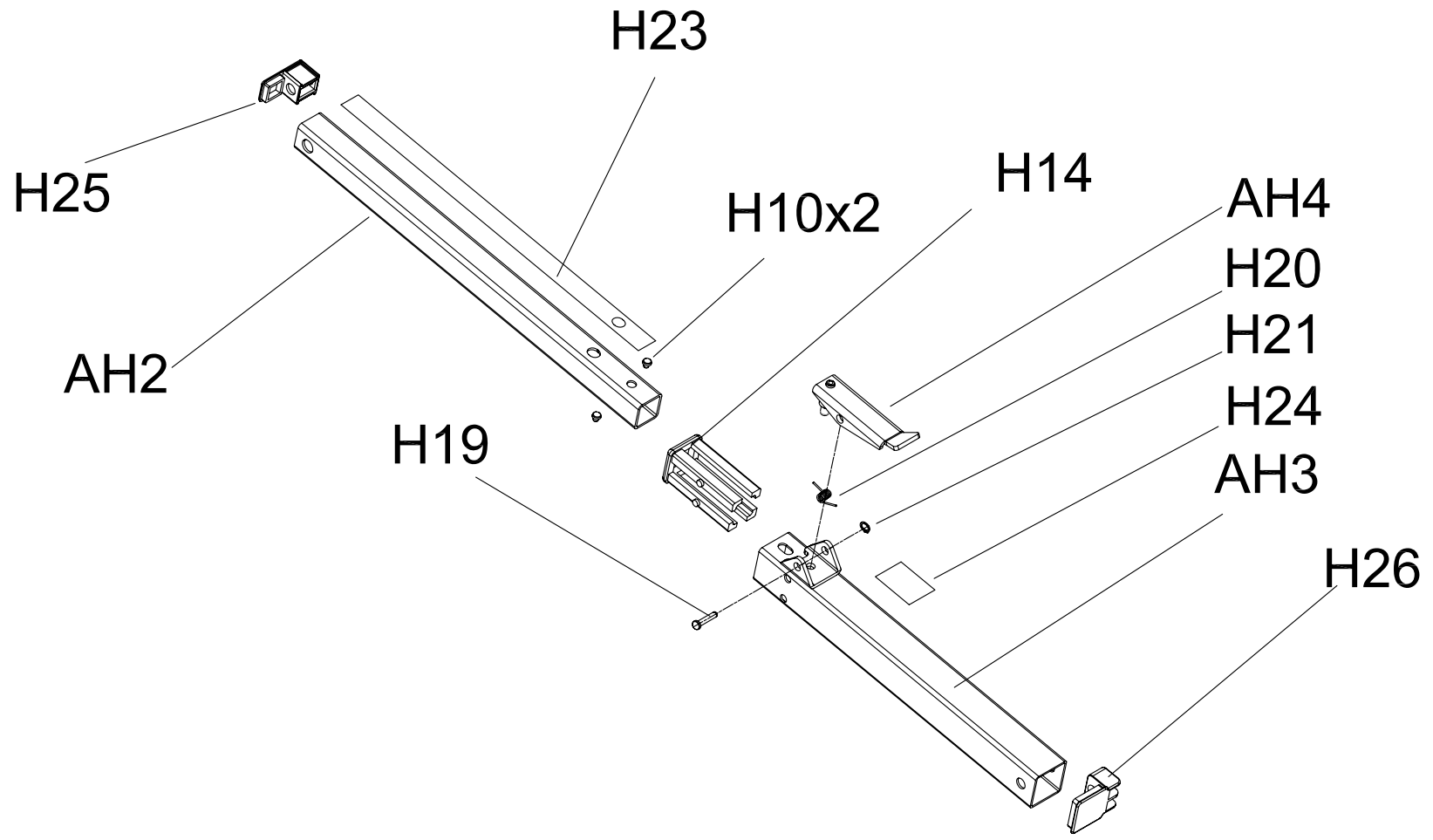


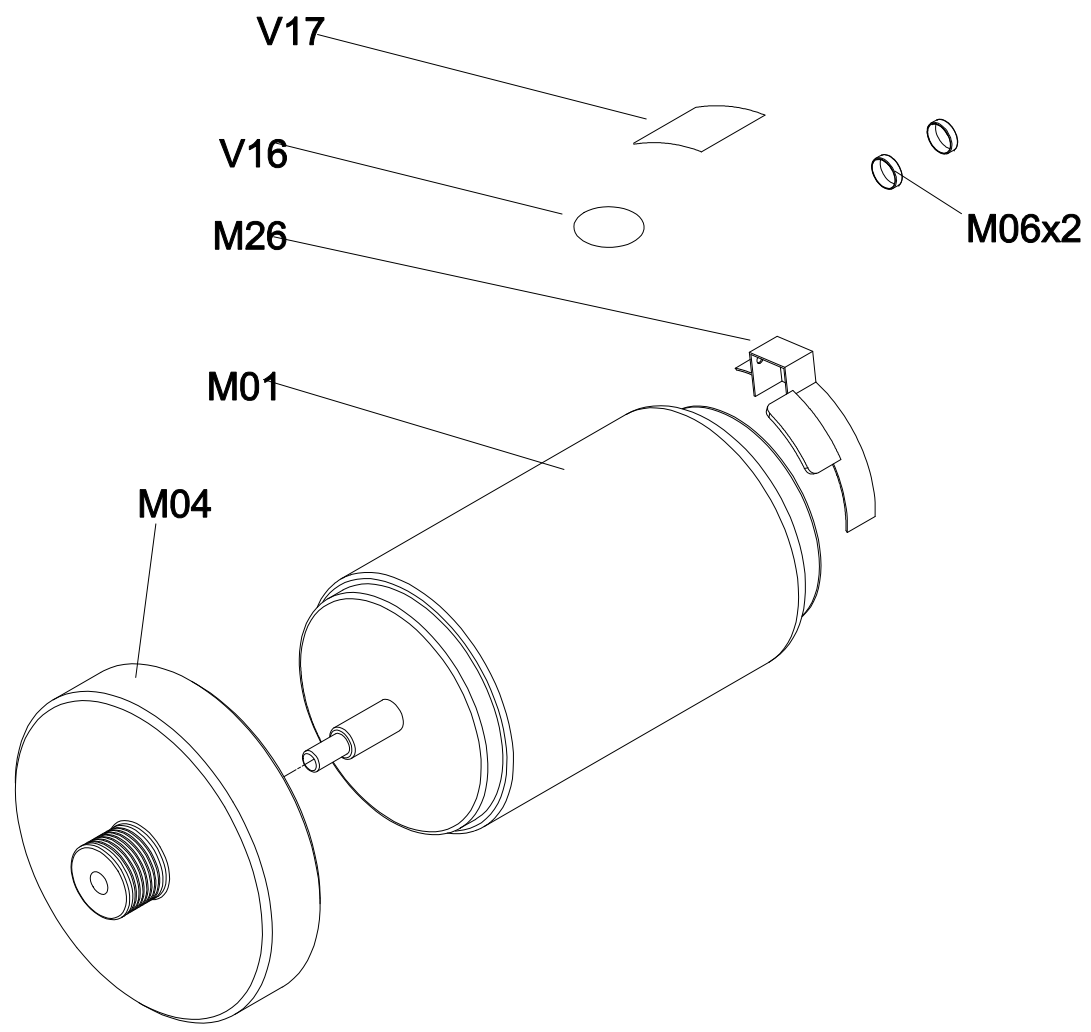
DRAWING NO	PTM439E-1US		
PART NAME	Explosive Rendering		
PART NO	HTM1076-00	REV	A
APPROVE	Lvhui	DATE	20140326



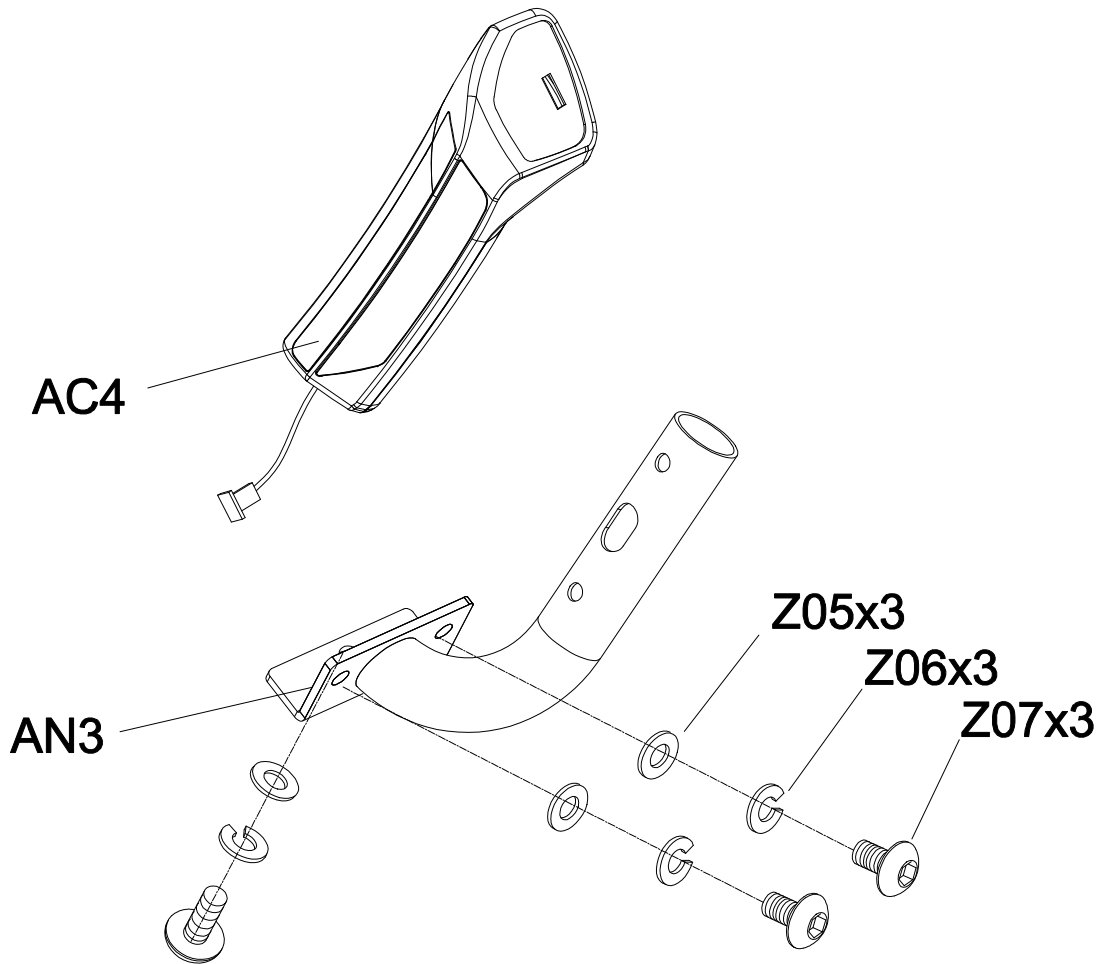
DRAWING NO	TM439-A11		
PART NAME	Lock Latch Set		
PART NO	1000231988	REV	A
APPROVE	DATE	120503	



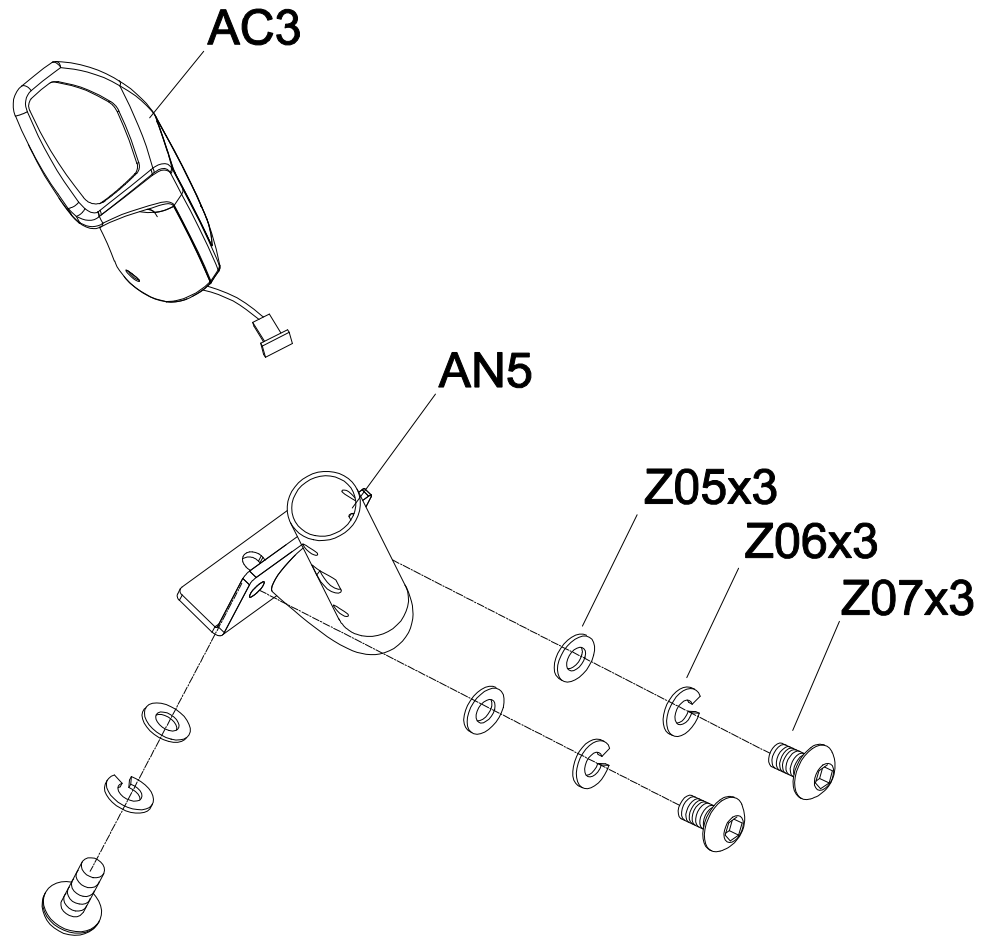
DRAWING NO	TM439E-A13		
PART NAME	Motor set		
PART NO	1000346329	REV	A
APPROVE	Lvhui	DATE	20140326



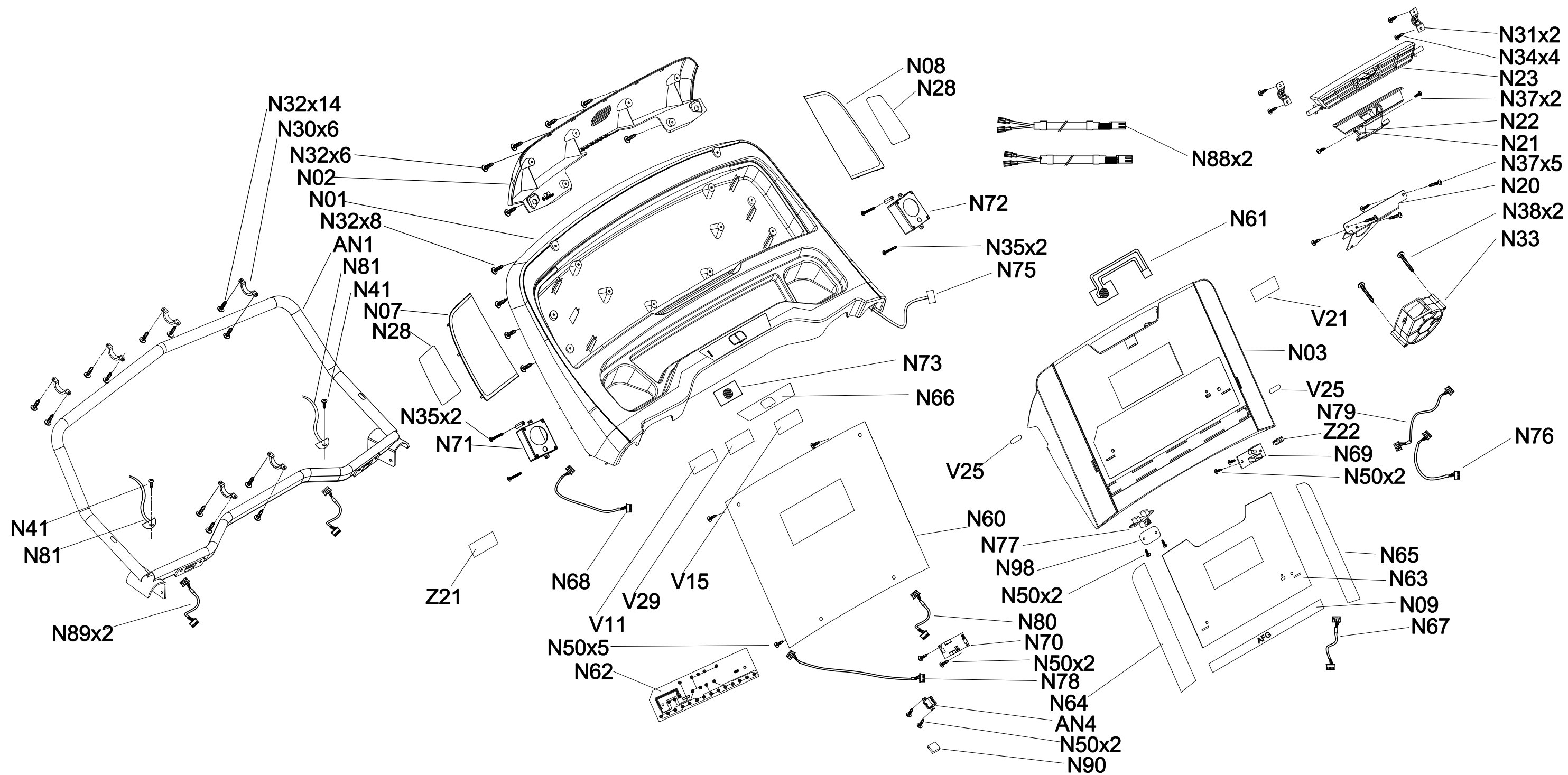
DRAWING NO	TM439-A14		
PART NAME	Left Handlebar Set		
PART NO	1000346317	REV	A
APPROVE	Lvhui	DATE	20140326



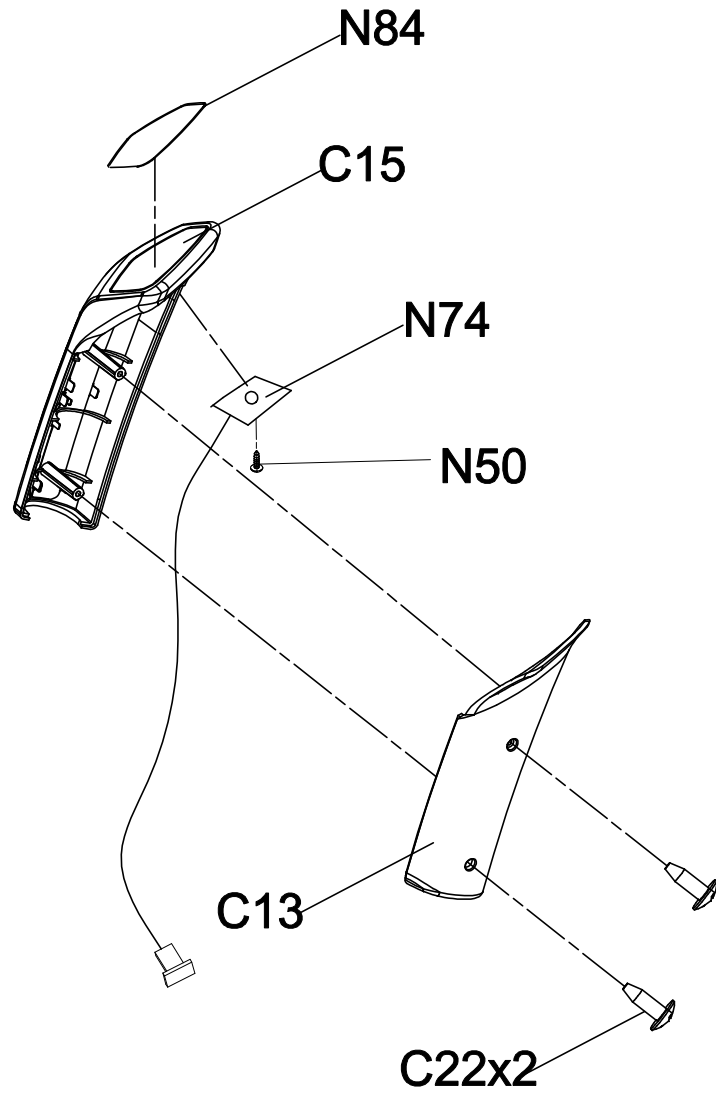
DRAWING NO	TM439E-A15		
PART NAME	Right Handlebar Set		
PART NO	1000346319	REV	A
APPROVE	Lvhui	DATE	20140326



DRAWING NO	TM439E-A16		
PART NAME	Console Set		
PART NO	1000346321	REV	A
APPROVE	Lvhui	DATE	20140326



DRAWING NO	TM439E-A17		
PART NAME	Left Sensor Set		
PART NO	1000346318	REV	A
APPROVE	Lvhui	DATE	20140326



DRAWING NO	TM439E-A18		
PART NAME	Right Sensor Set		
PART NO	1000346320	REV	A
APPROVE	Lvhui	DATE	20140326

