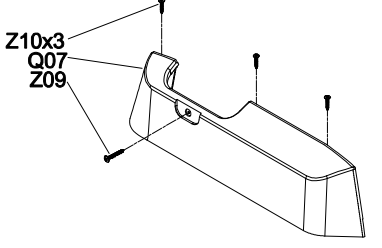
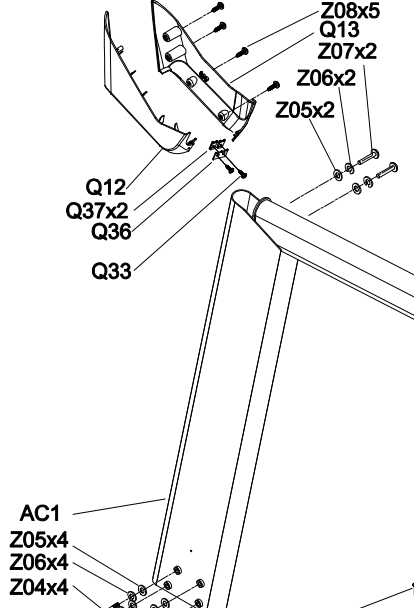
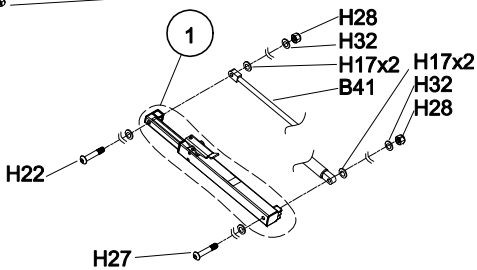
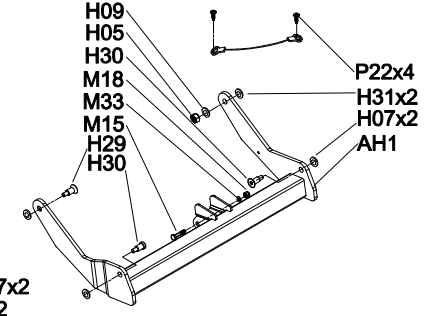
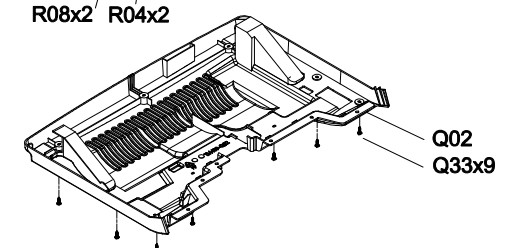
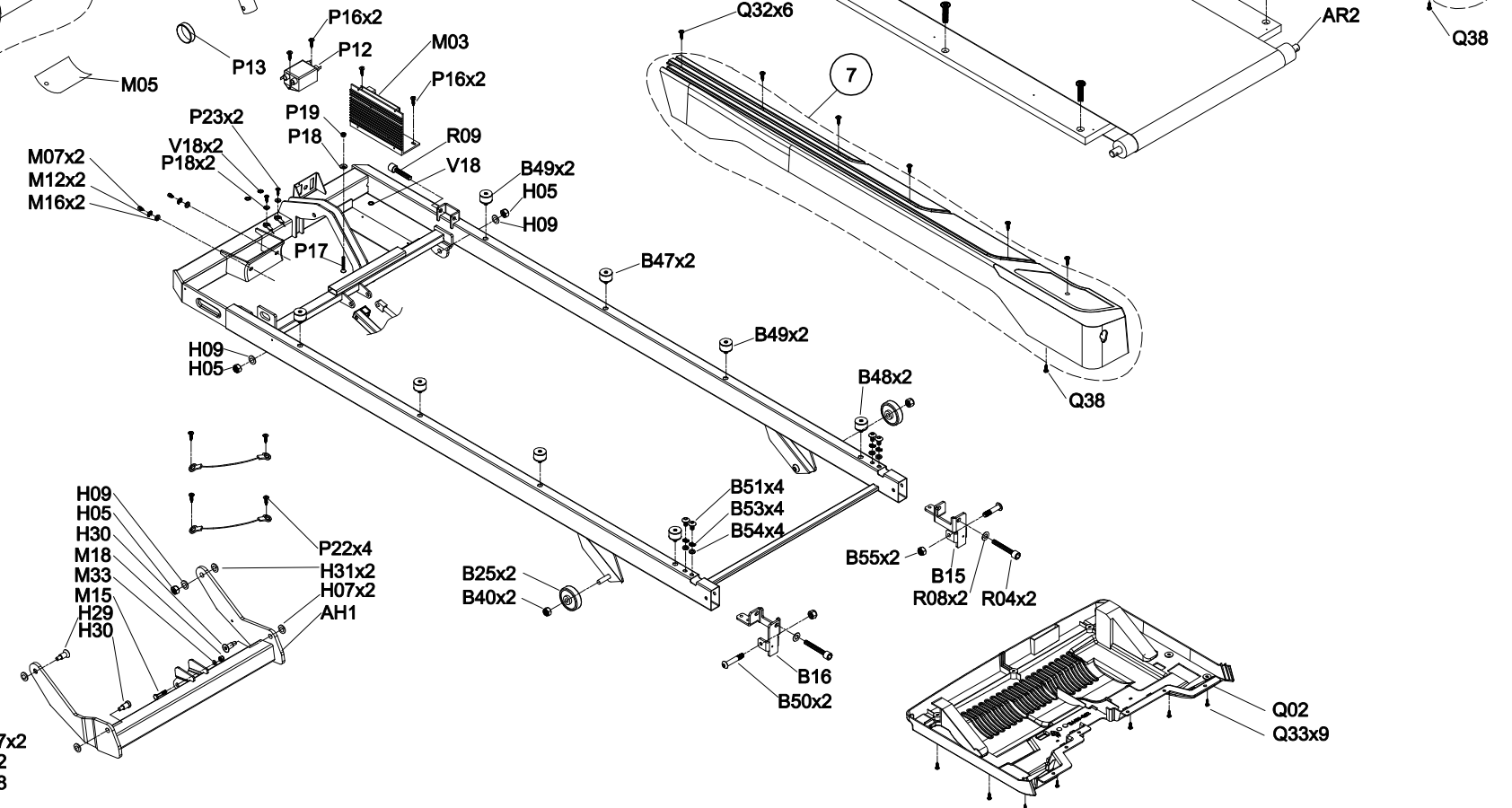
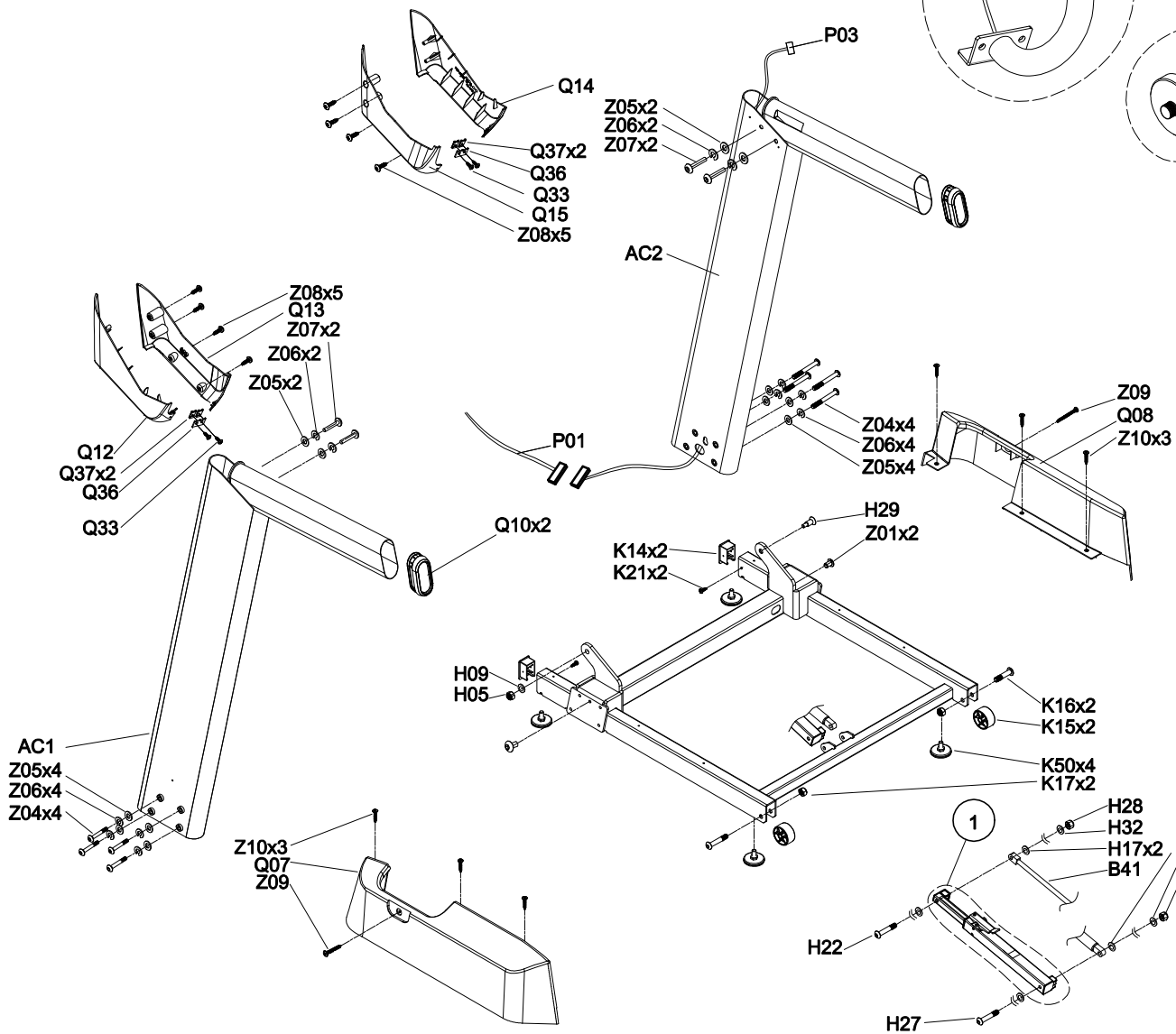
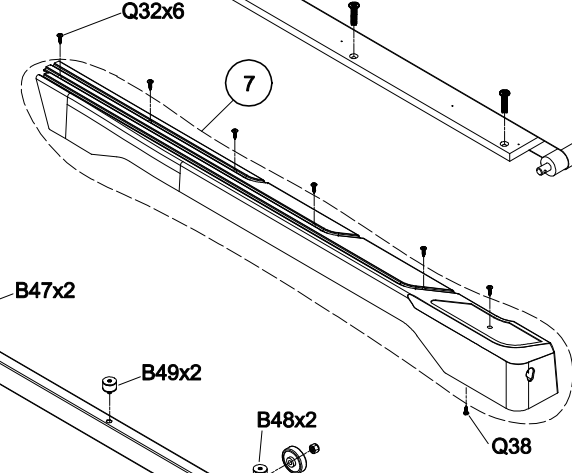
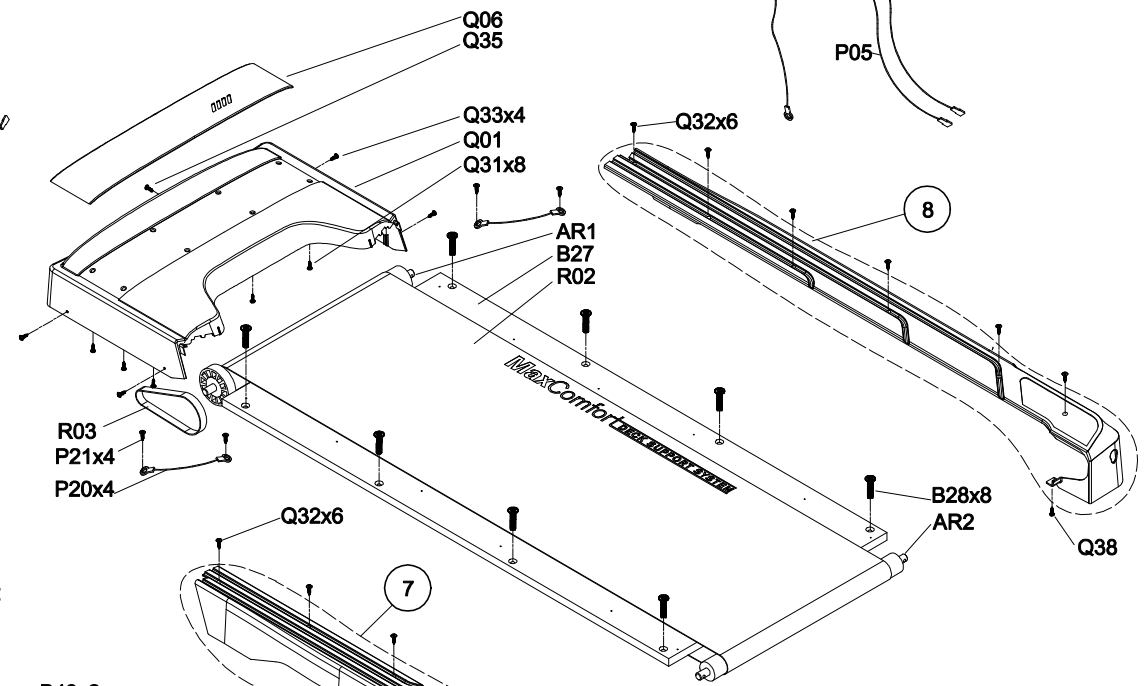
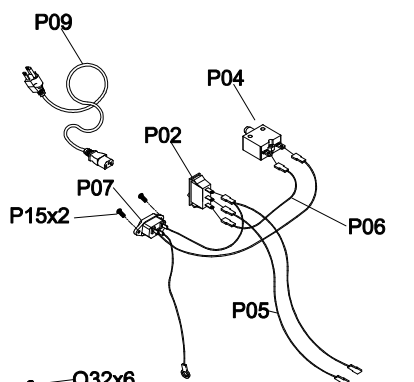
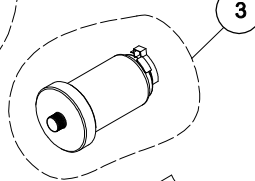
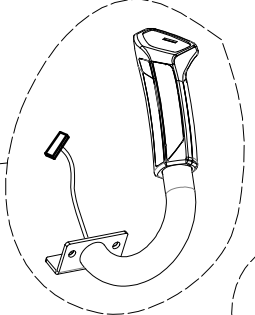
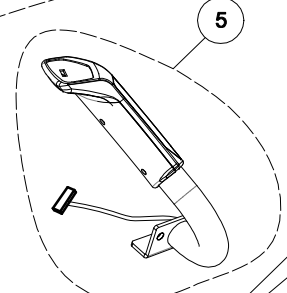
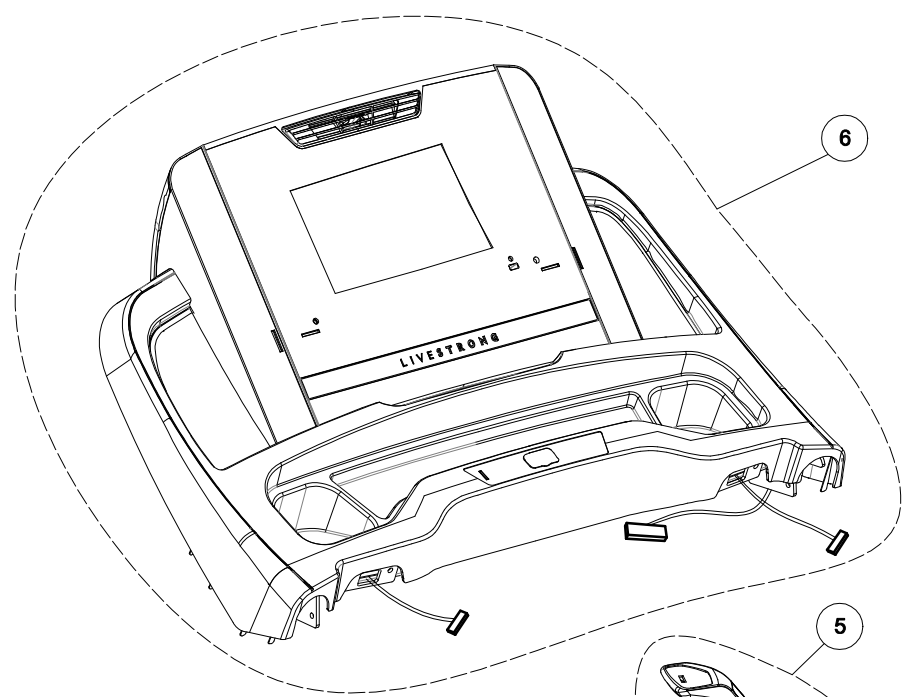


DRAWING NO	PTM450C-1US		
PART NAME	Explosive Rendering		
PART NO	HTM1077-00	REV	A
APPROVE	Lvhui	DATE	20140326



AC1  
Z05x4  
Z06x4  
Z04x4

Q12  
Q37x2  
Q36  
Q33

Z10x3  
Q07  
Z09

H09  
H05

AC2  
Z05x2  
Z06x2  
Z07x2

N43

4

P03

Q14

Q37x2  
Q36  
Q33  
Q15  
Z08x5

Z05x2  
Z06x2  
Z07x2

P01

Q10x2

K14x2  
K21x2

H29  
Z01x2

H09  
H05

Z04x4  
Z06x4  
Z05x4

Z09  
Q08  
Z10x3

K16x2  
K15x2

K50x4  
K17x2

H28  
H32  
H17x2  
H17x2  
H32  
H28

H22

H27

1

M05

P13

P16x2  
P12  
M03  
P16x2

P23x2  
P19  
P18  
R09  
V18  
H09  
H05

M07x2  
M12x2  
M16x2

V18x2  
P18x2

H09  
H05

B47x2

B49x2  
H05  
H09

B25x2  
B40x2

B51x4  
B53x4  
B54x4

B55x2

B15  
R08x2  
R04x2

B16  
B50x2

Q02  
Q33x9

2

M14  
M33  
M17  
M02

P10

P08

Q06  
Q35

Q33x4  
Q01  
Q31x8

AR1  
B27  
R02

R03  
P21x4  
P20x4

Q32x6

B28x8  
AR2

Q38

7

Q32x6

Q38

8

P09

P04

P02

P07

P15x2

P06

P05

9

6

5

3

8

7

10

2

11

12

13

14

1

2

11

12

13

14

1

2

11

12

13

14

1

2

11

12

13

14

1

2

11

12

13

14

1

2

11

12

13

14

1

2

11

12

13

14

1

2

11

12

13

14

1

2

11

12

13

14

1

2

11

12

13

14

1

2

11

12

13

14

1

2

11

12

13

14

1

2

11

12

13

14

1

2

11

12

13

14

1

2

11

12

13

14

1

2

11

12

13

14

1

2

11

12

13

14

1

2

11

12

13

14

1

2

11

12

13

14

1

2

11

12

13

14

1

2

11

12

13

14

1

2

11

12

13

14

1

2

11

12

13

14

1

2

11

12

13

14

1

2

11

12

13

14

1

2

11

12

13

14

1

2

11

12

13

14

1

2

11

12

13

14

1

2

11

12

13

14

1

2

11

12

13

14

1

2

11

12

13

14

1

2

11

12

13

14

1

2

11

12

13

14

1

2

11

12

13

14

1

2

11

12

13

14

1

2

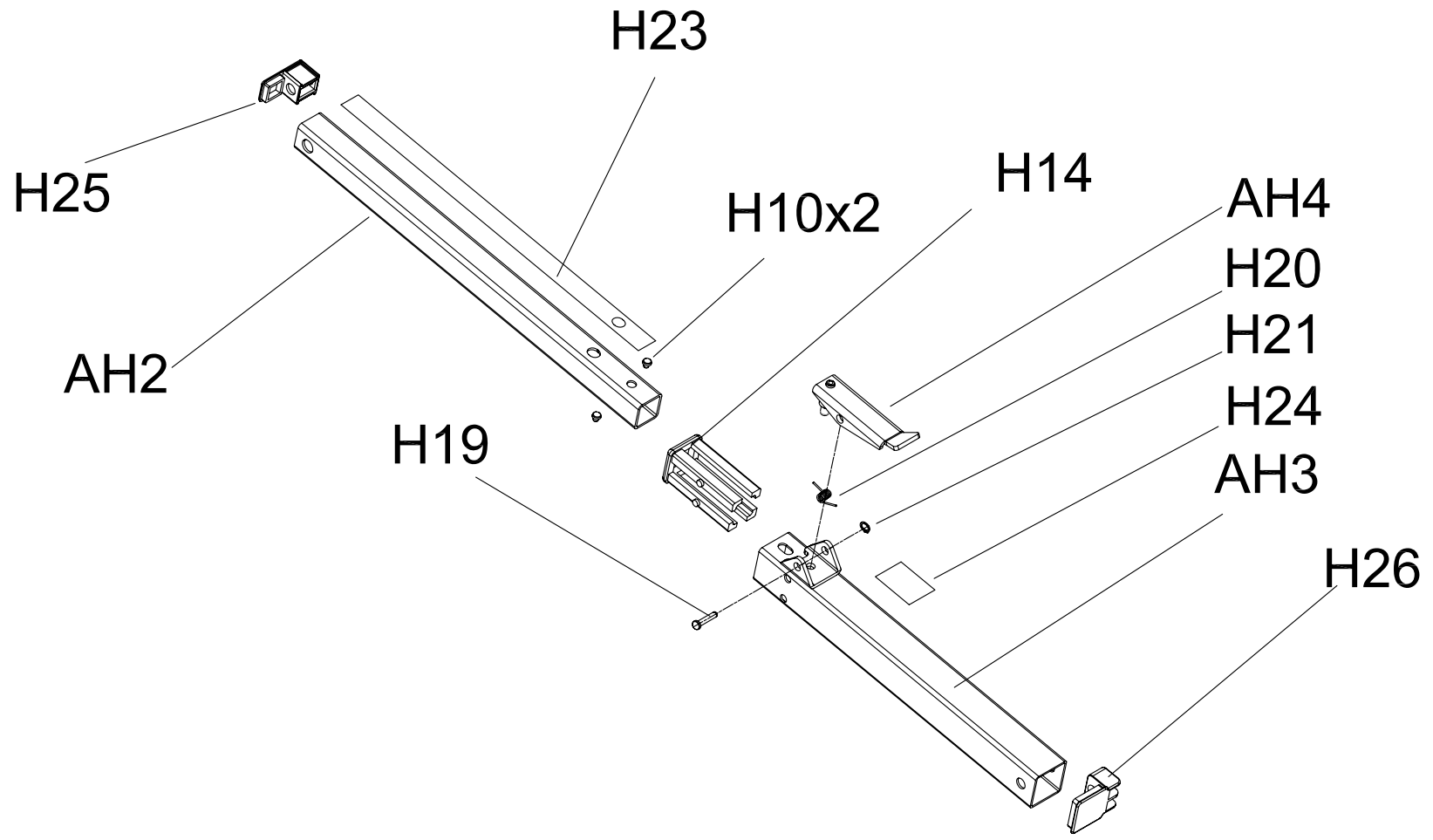
11

12

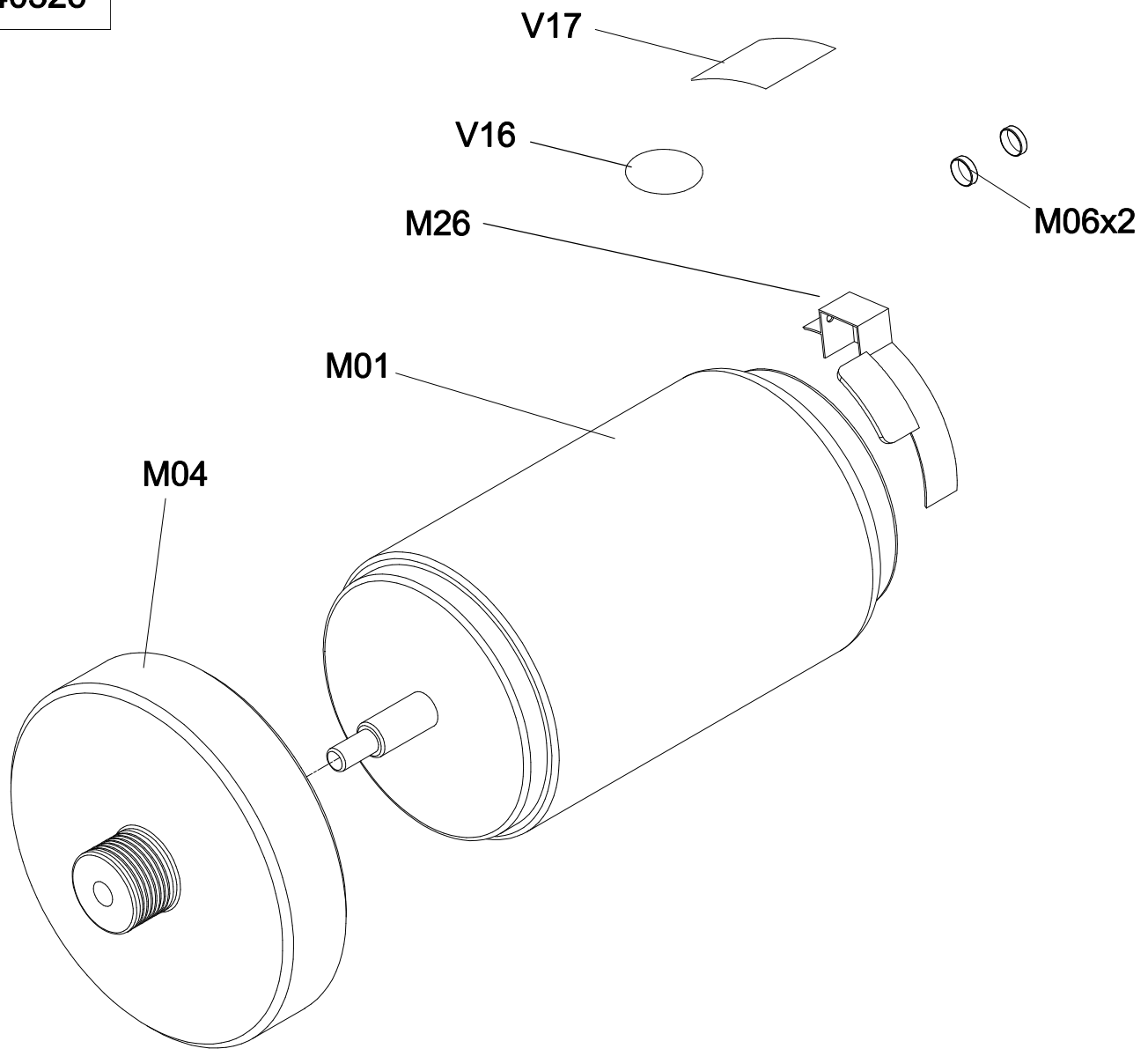
13

14

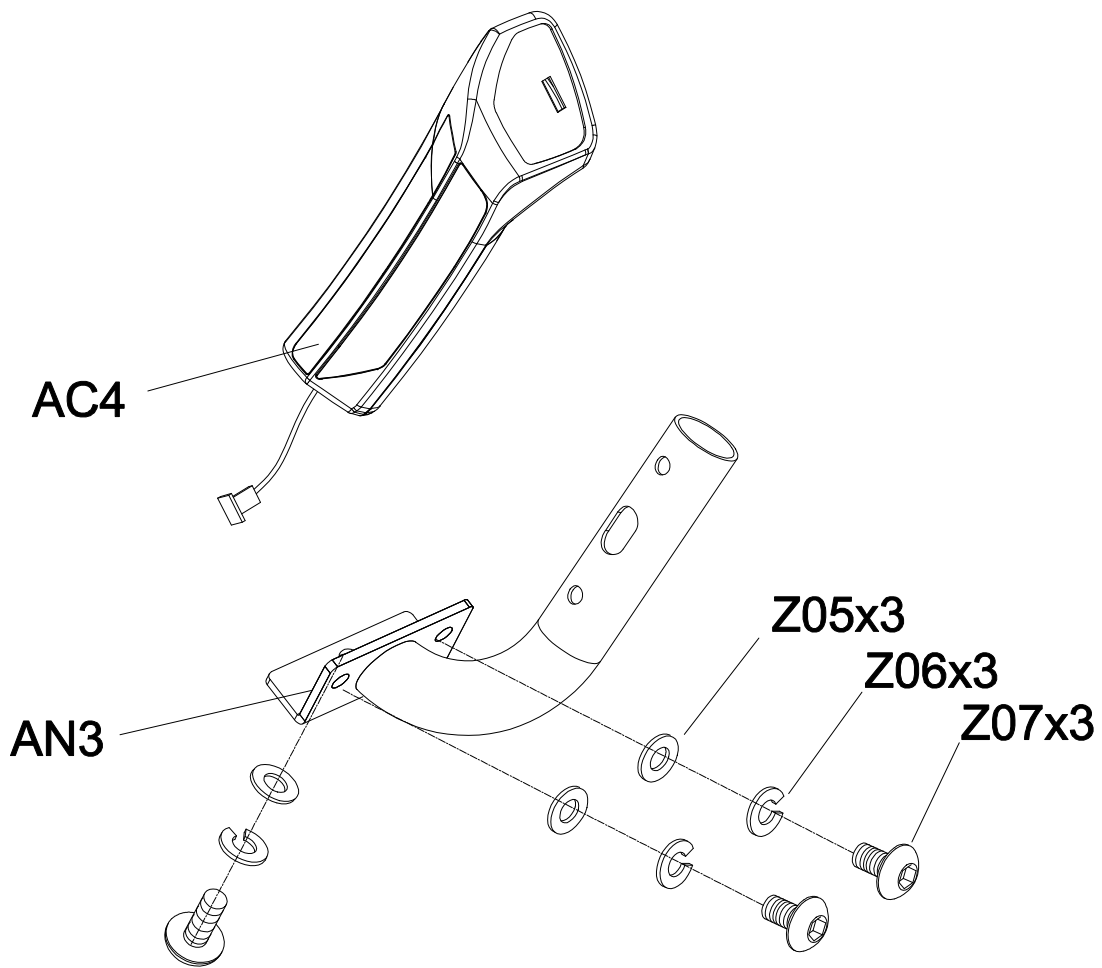
DRAWING NO	TM439-A11		
PART NAME	Lock Latch Set		
PART NO	1000231988	A	
APPROVE		DATE	120503



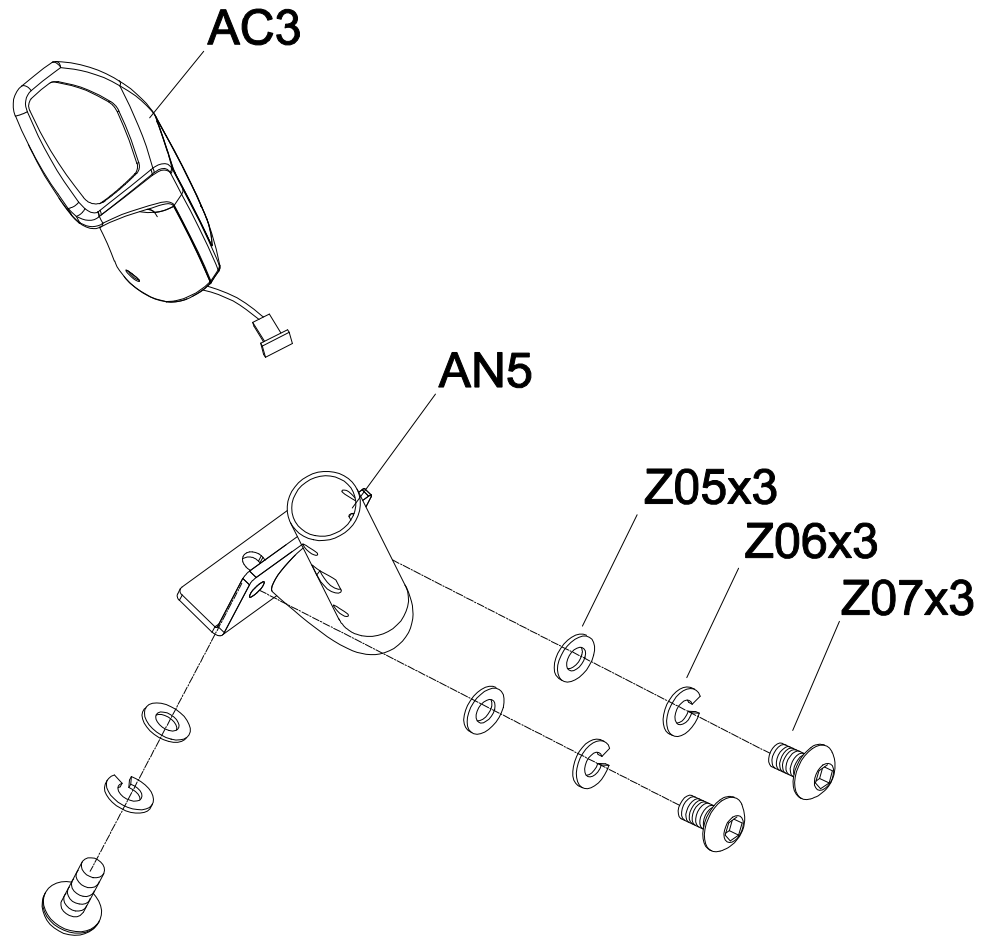
DRAWING NO	TM450C-A13		
PART NAME	Motor set		
PART NO	1000346350	REV	A
APPROVE	Lvhui	DATE	20140326



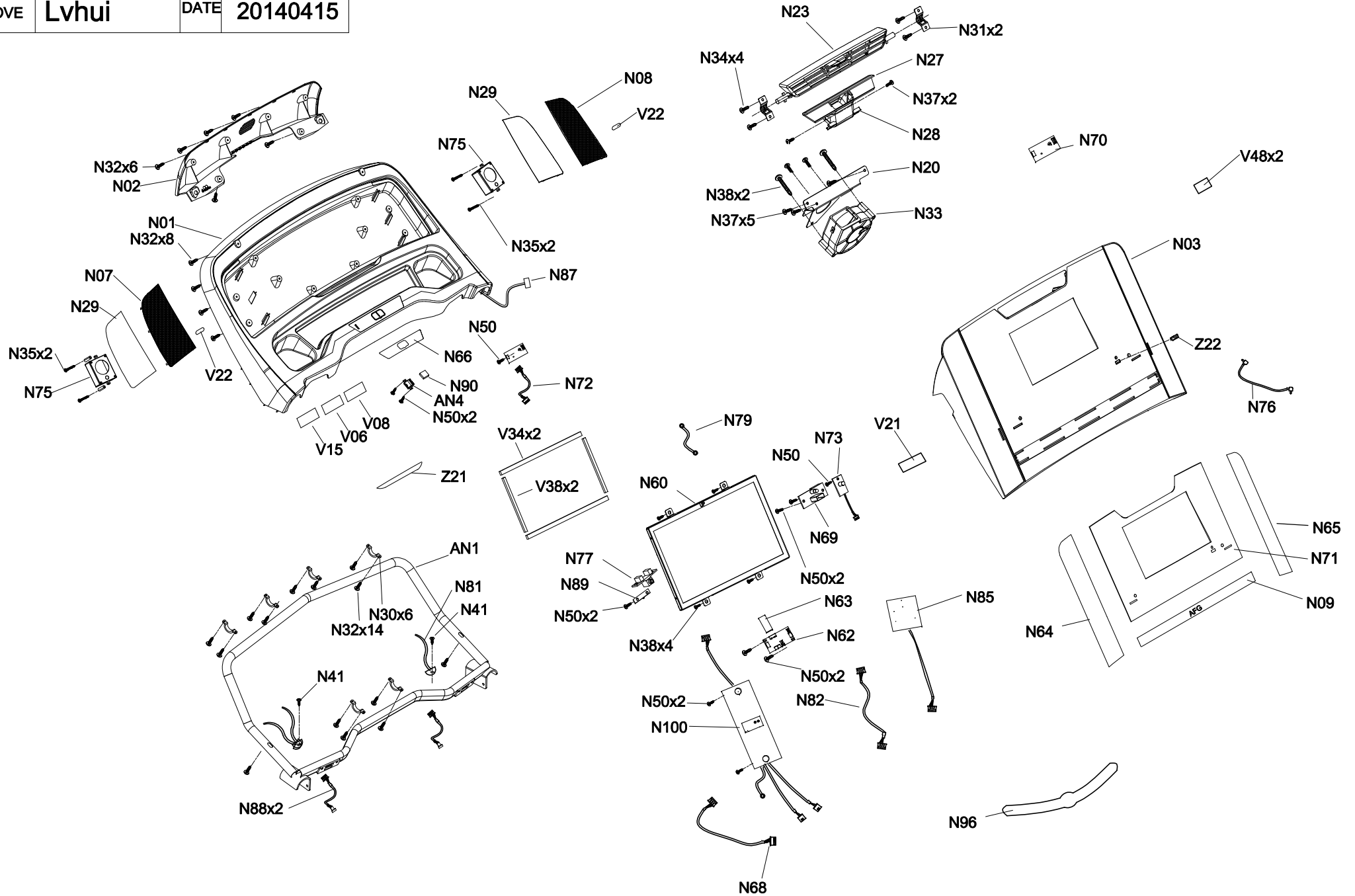
DRAWING NO	TM439-A14		
PART NAME	Left Handlebar Set		
PART NO	1000346317	REV	A
APPROVE	Lvhui	DATE	20140326



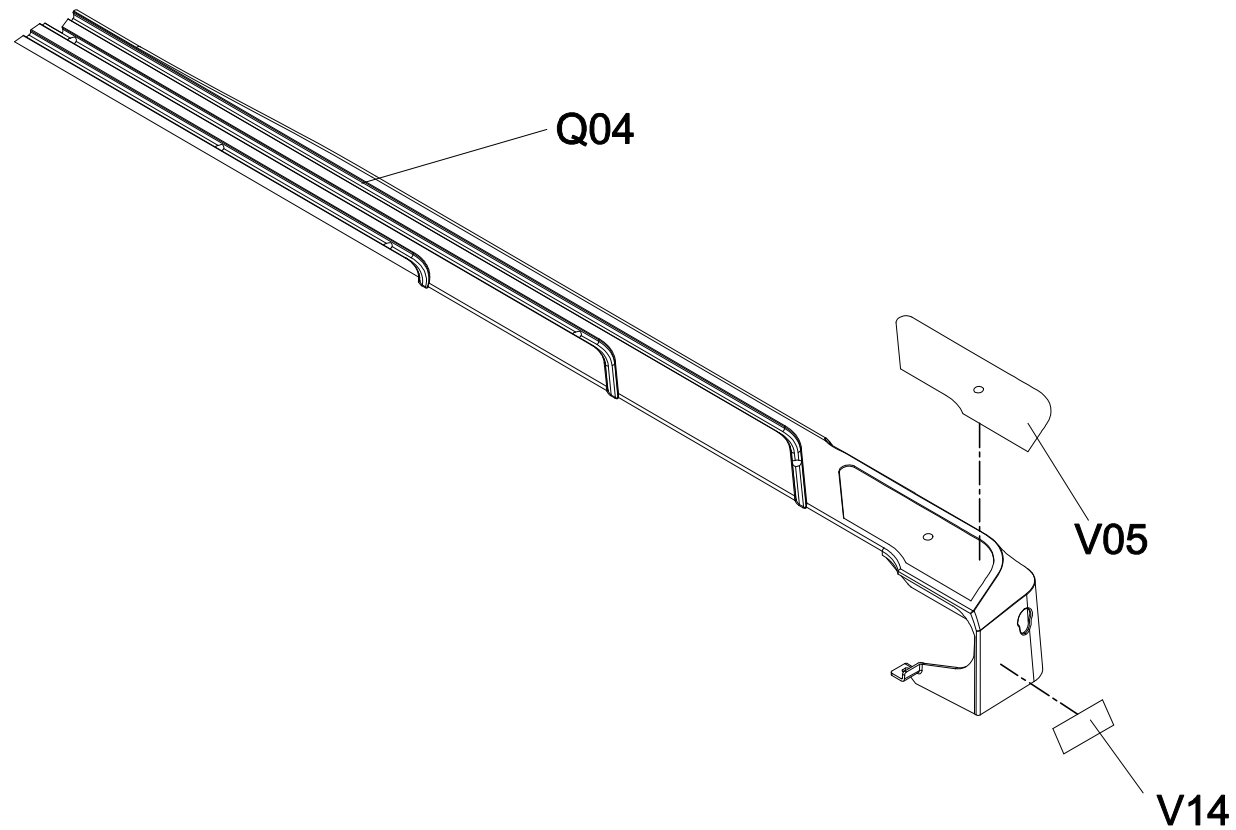
DRAWING NO	TM439E-A15		
PART NAME	Right Handlebar Set		
PART NO	1000346319	REV	A
APPROVE	Lvhui	DATE	20140326



DRAWING NO	TM450C-A16		
PART NAME	Console set		
PART NO	1000346324	REV	A
APPROVE	Lvhui	DATE	20140415



DRAWING NO	TM439E-A20		
PART NAME	Right Side Rail-cover Set		
PART NO	1000346323	REV	A
APPROVE	Lvhui	DATE	20140326



DRAWING NO	TM439E-A19		
PART NAME	Left Side Rail-cover Set		
PART NO	1000346322	REV	A
APPROVE	Lvhui	DATE	20140326

