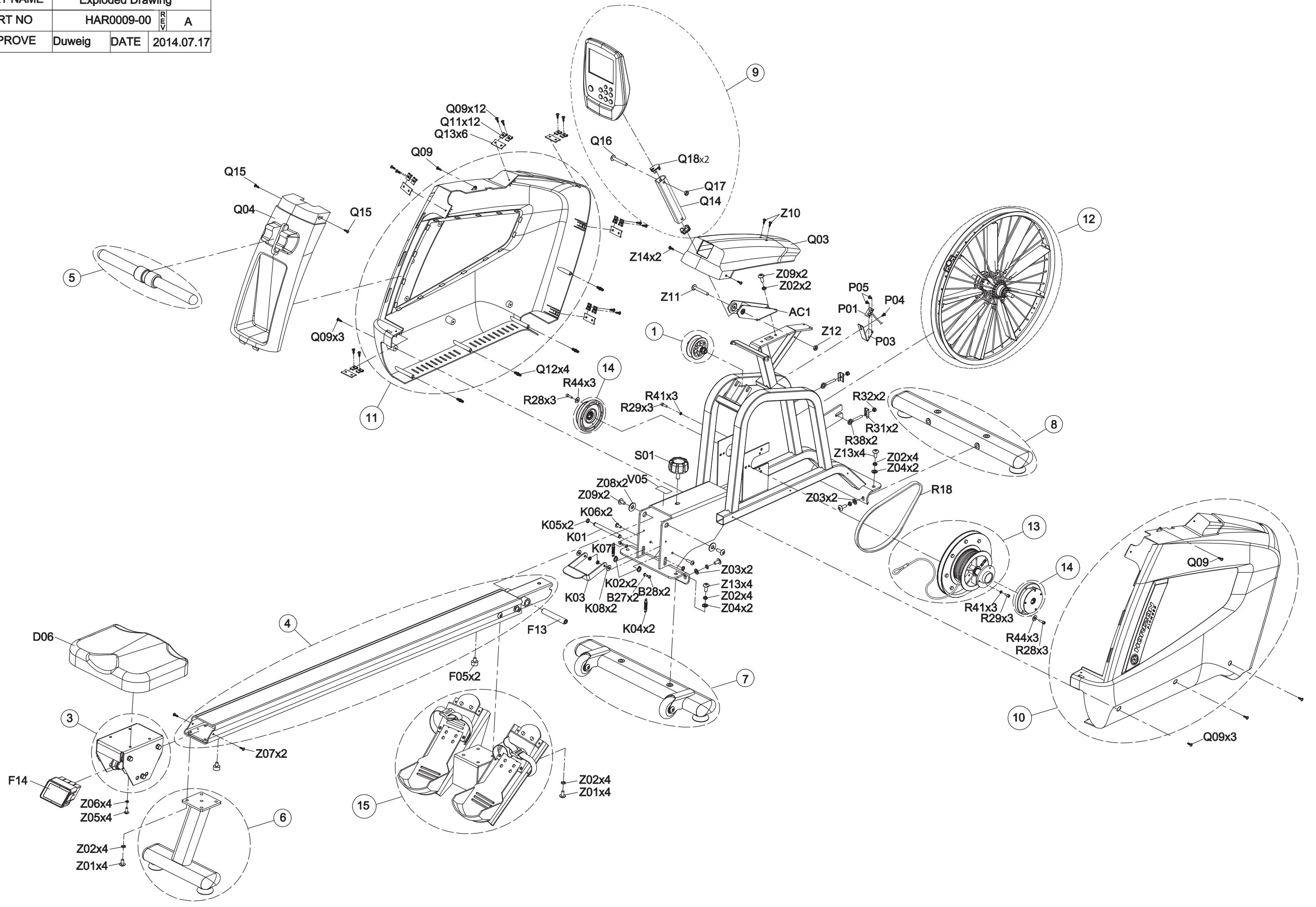
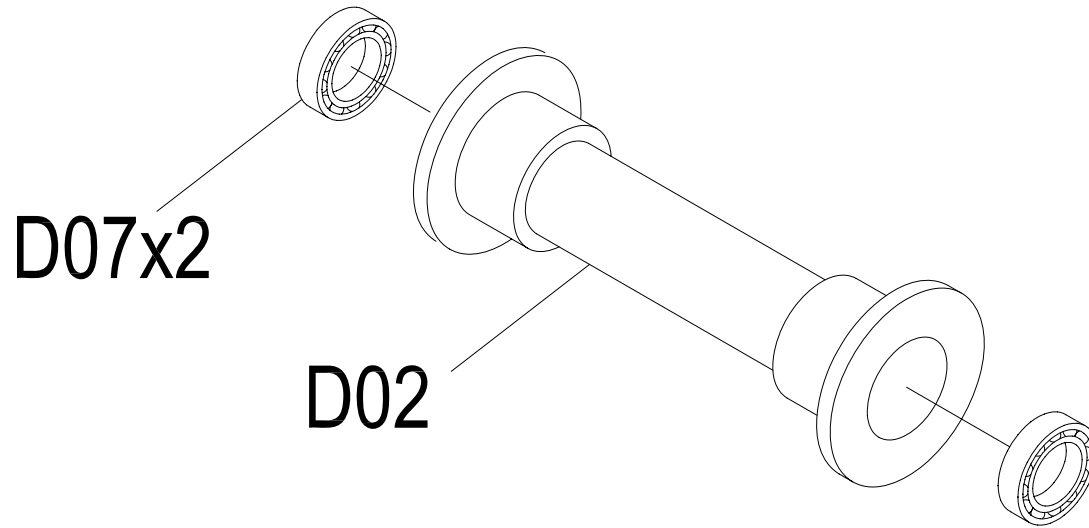


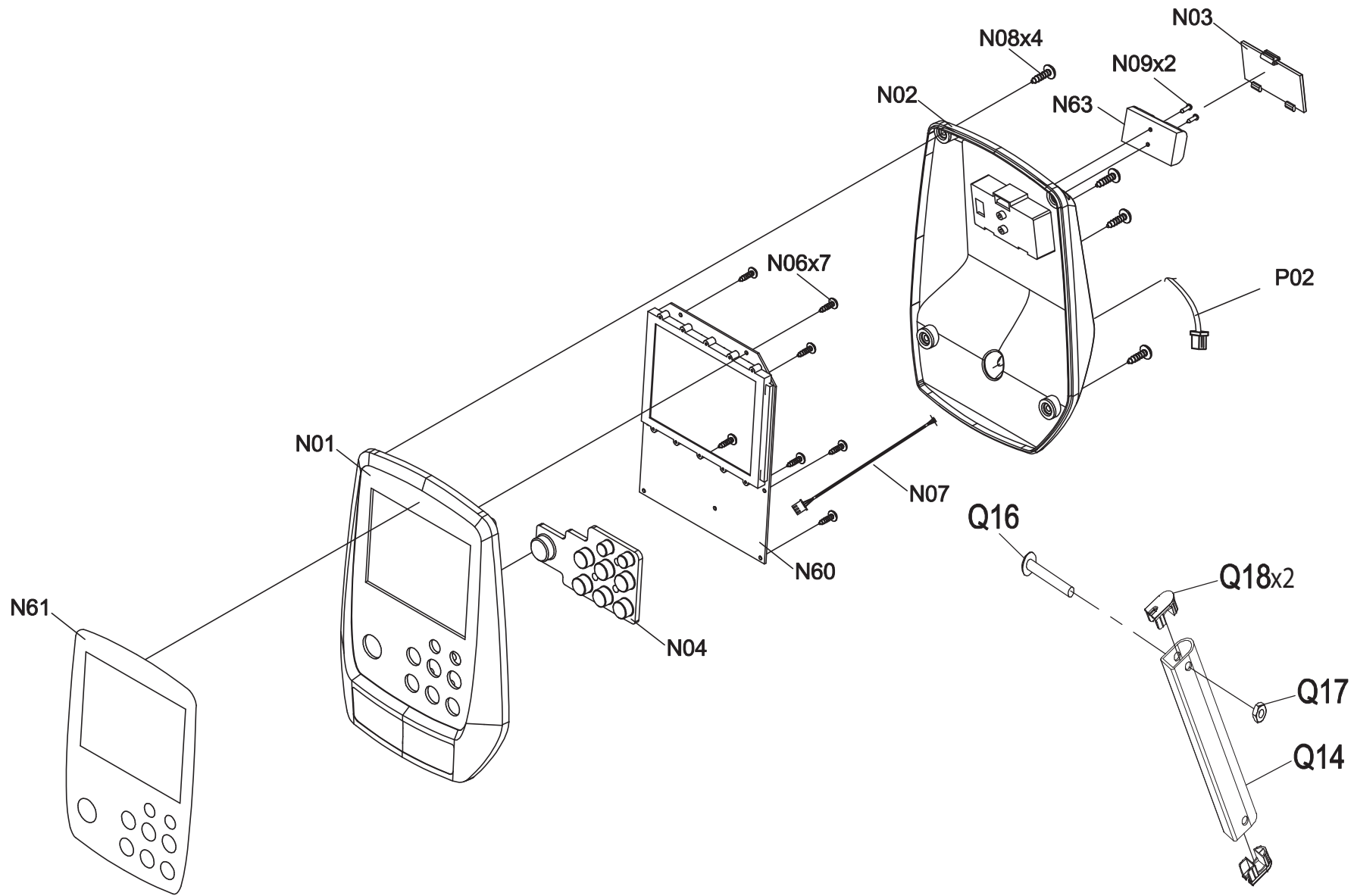
DRAWING NO	PAR50B-1US		
PART NAME	Exploded Drawing		
PART NO	HAR0009-00	REV	A
APPROVE	Duweig	DATE	2014.07.17




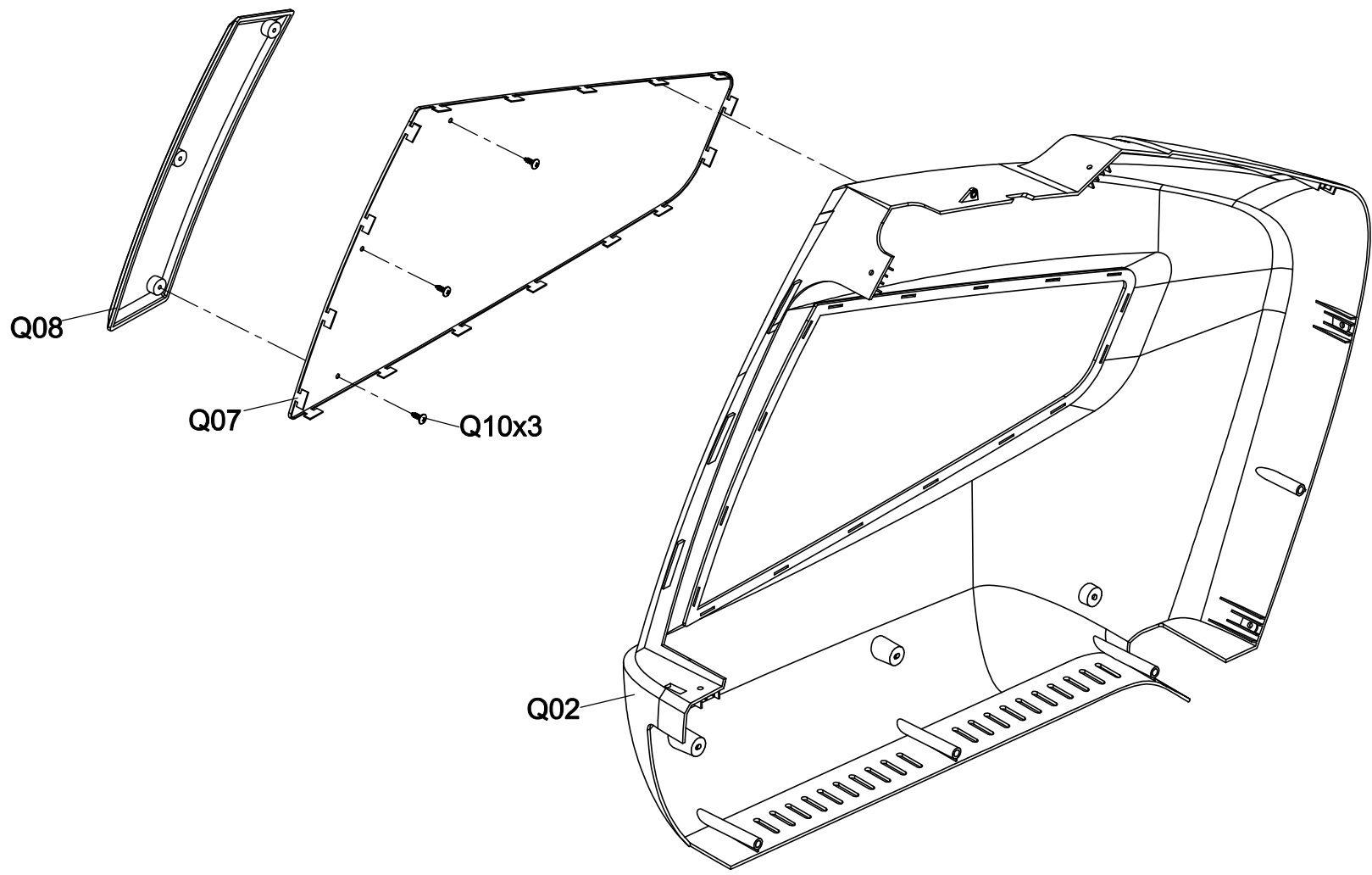
DRAWING NO	AR06E-AD12		
PART NAME	Slipping Base Cylinder Set		
PART NO	0000092317	REV	C
APPROVE	Vicky	DATE	2011.01.11



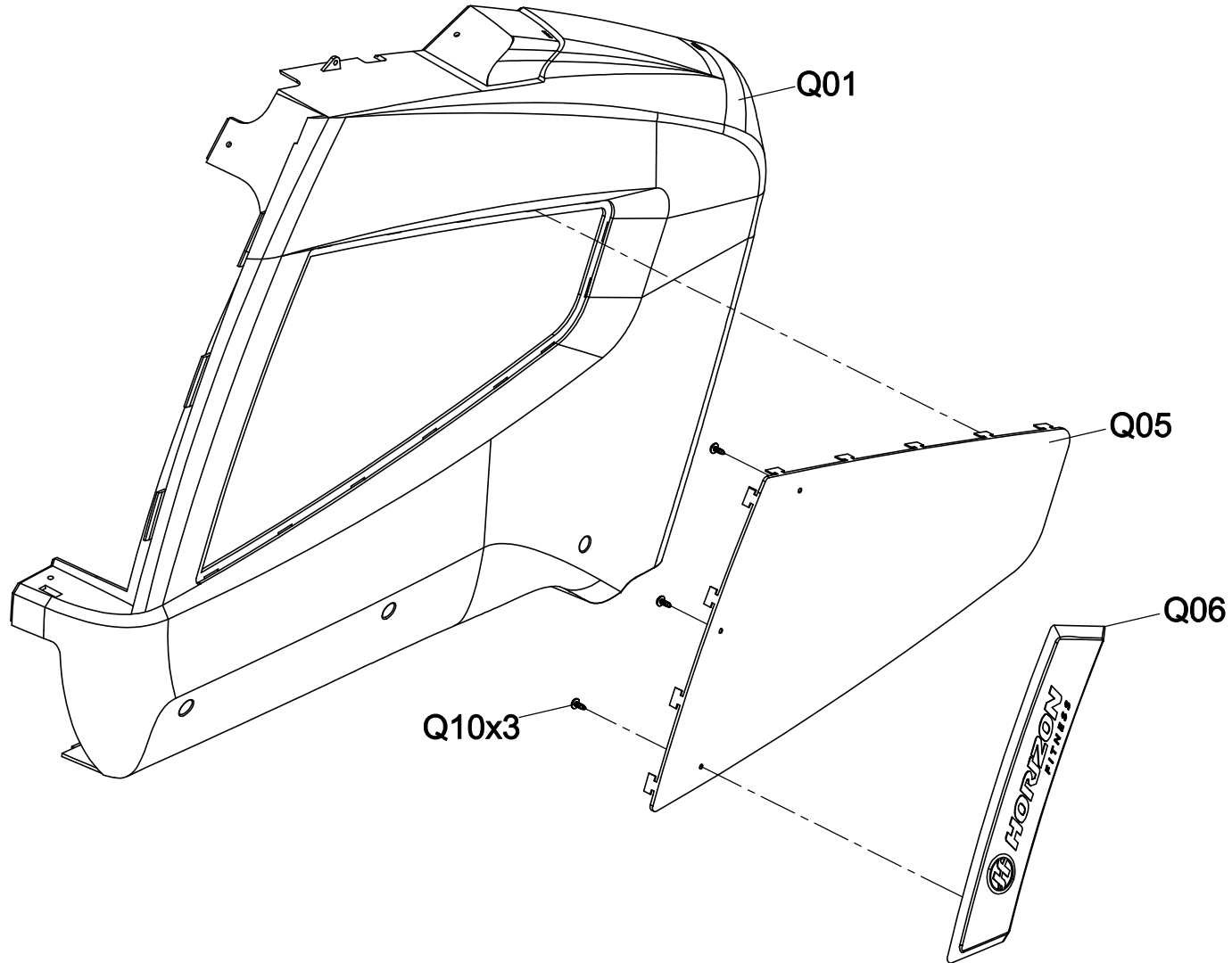
DRAWING NO	AR50B-A23		
PART NAME	Console Set		
PART NO	1000350829	REV	A
APPROVE	Duweig	DATE	2014.07.21



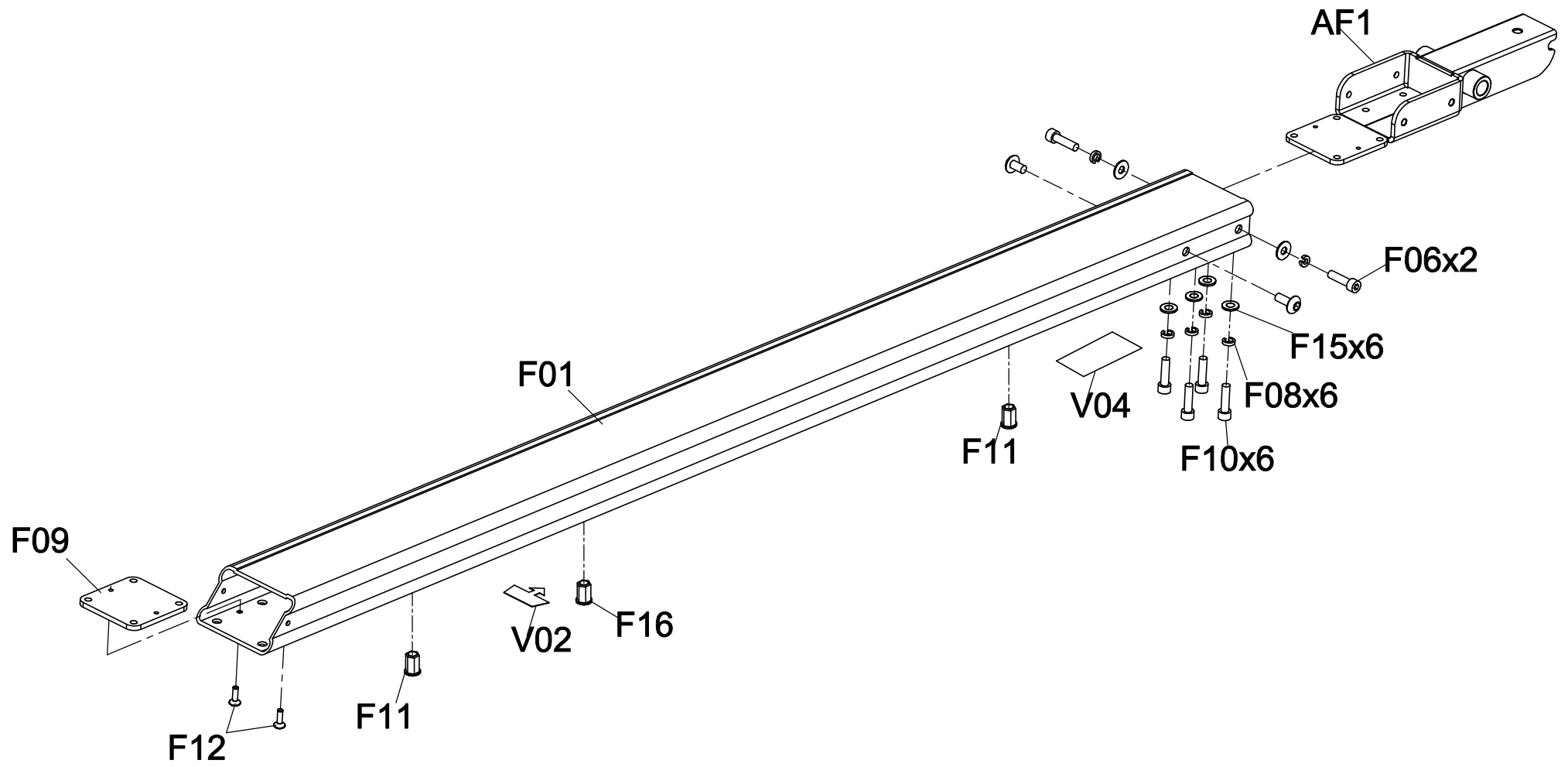
DRAWING NO	AR50B-A25		
PART NAME	Left Cover Set		
PART NO	1000350828		A
APPROVE	Duweig	DATE	2014.07.21




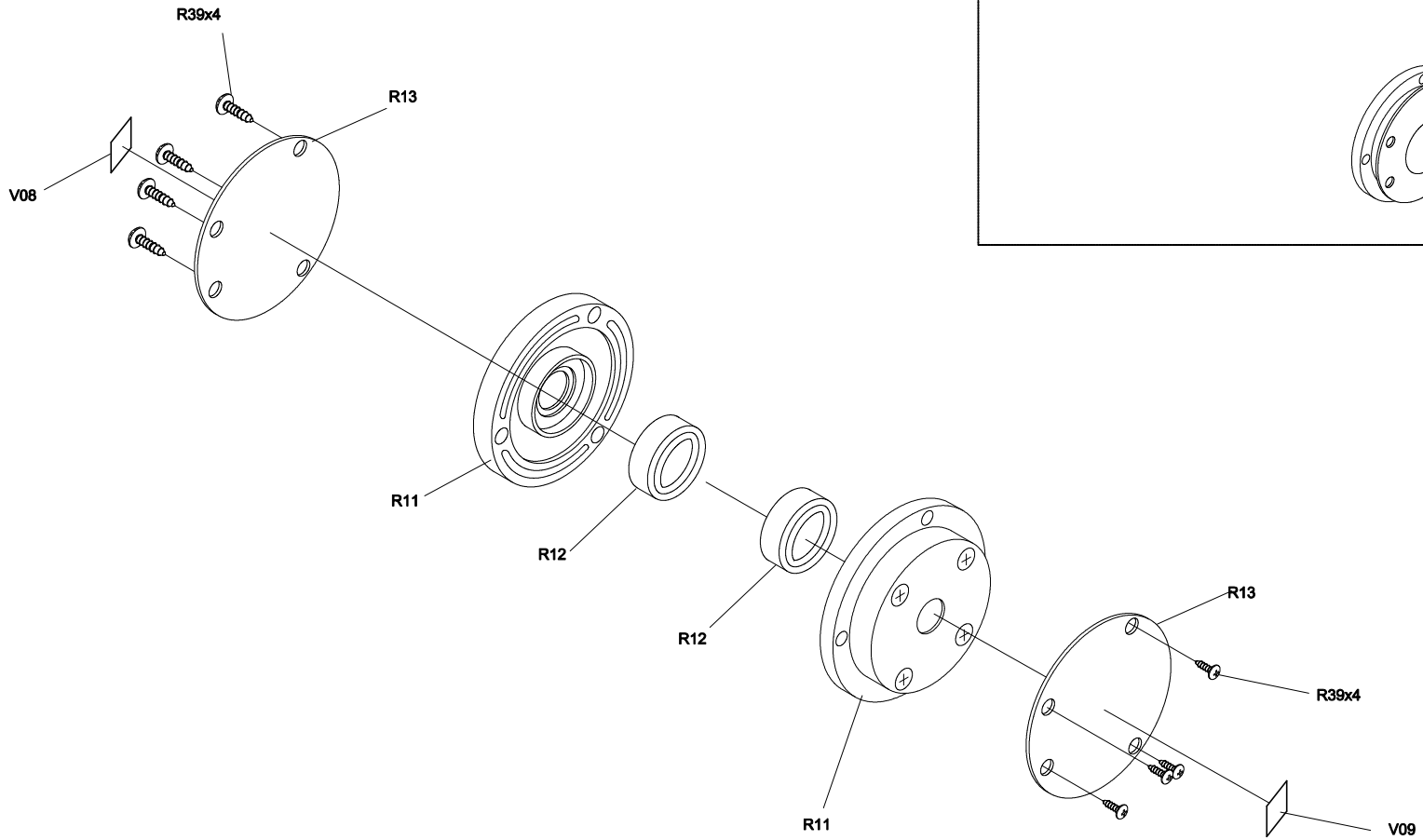
DRAWING NO	AR50B-A24		
PART NAME	Right Cover Set		
PART NO	1000350827	REV	A
APPROVE	Duweig	DATE	2014.07.21



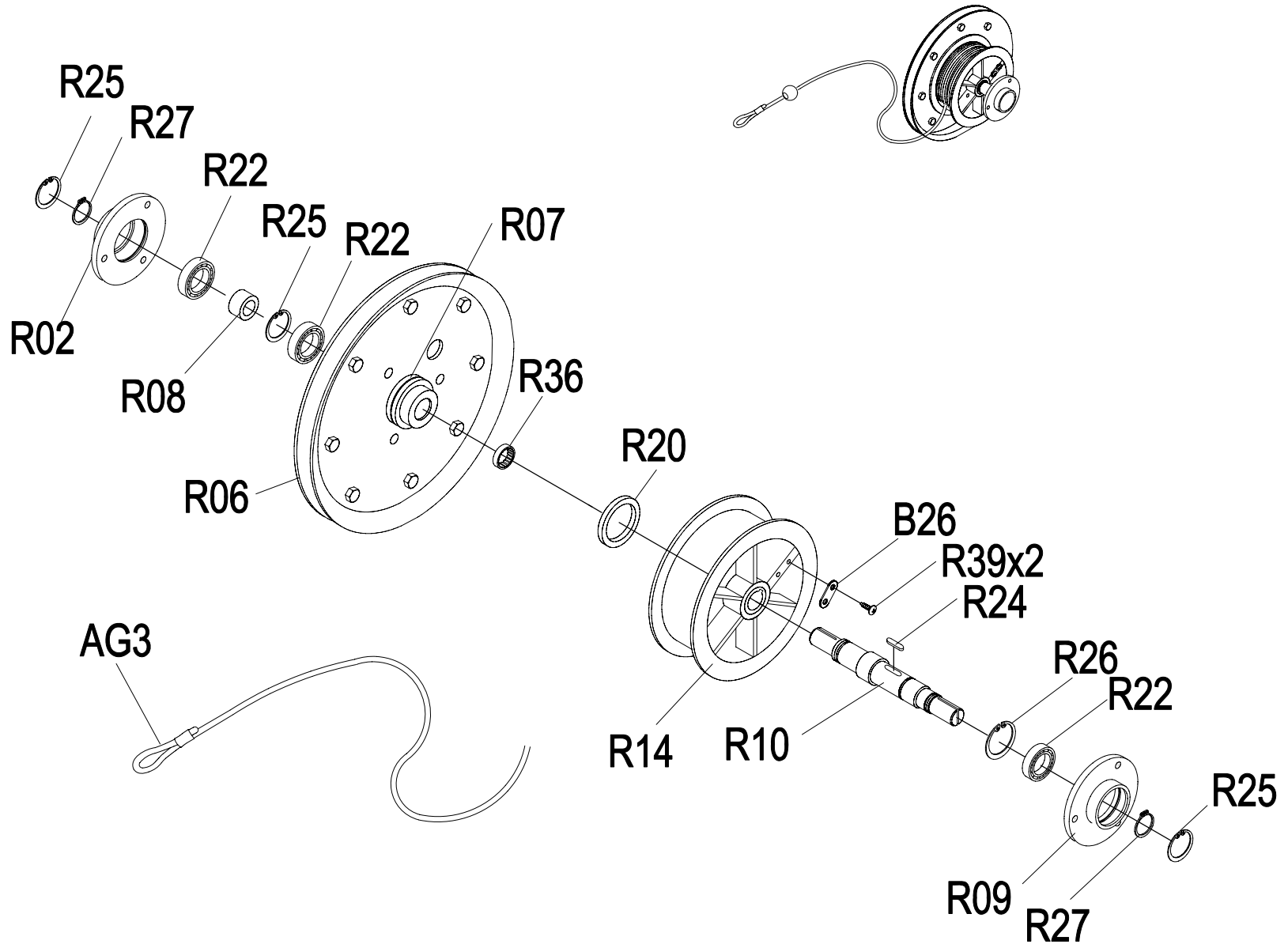
DRAWING NO	AR50B-A10		
PART NAME	Guid Rail Set		
PART NO	1000350826	REV	A
APPROVE	Duweig	DATE	2014.07.21



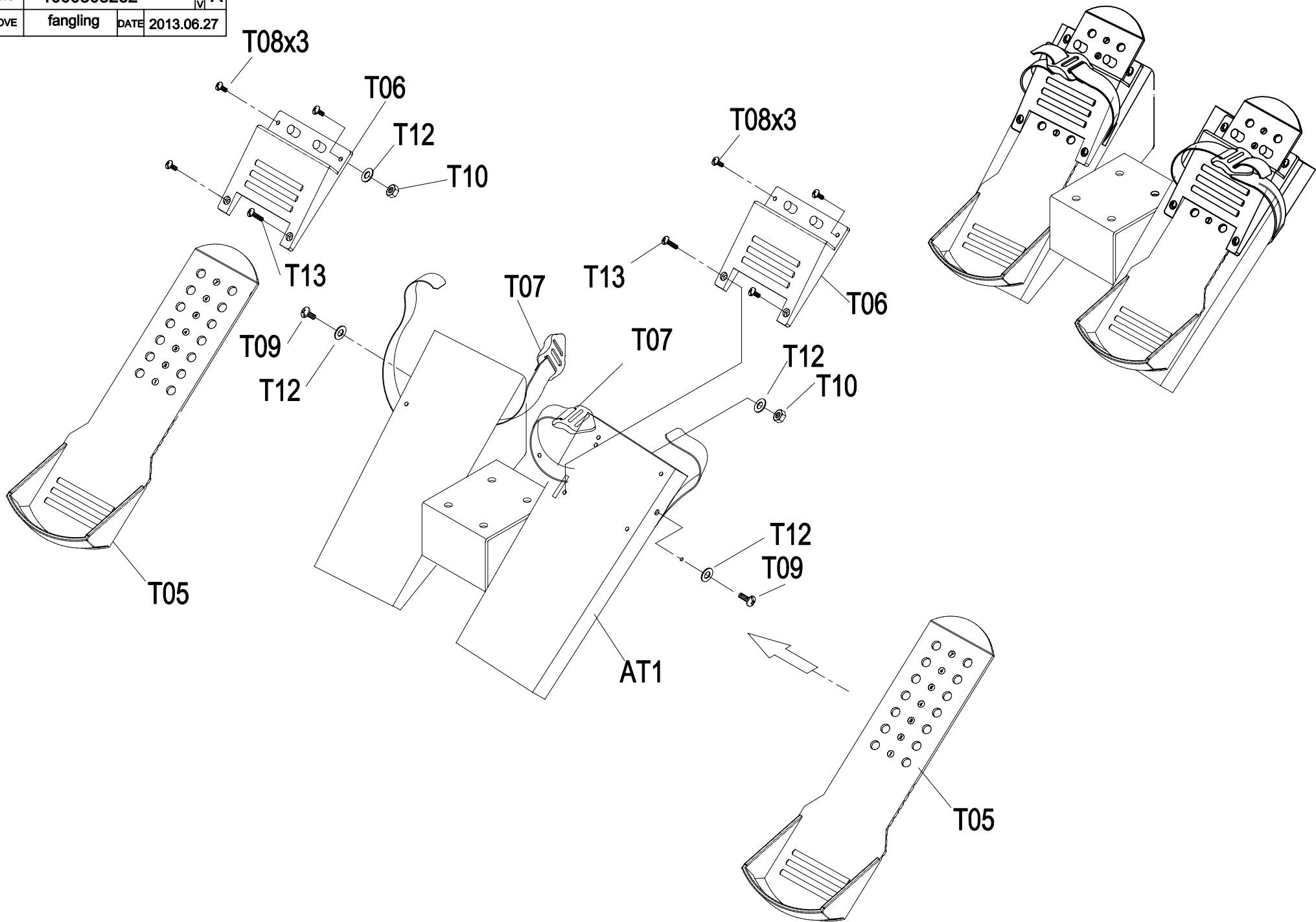
DRAWING NO	AR50-AR4		
PART NAME	Spring Set		
PART NO	1000325879		B
APPROVE	Duweig	DATE	2014.7.25.



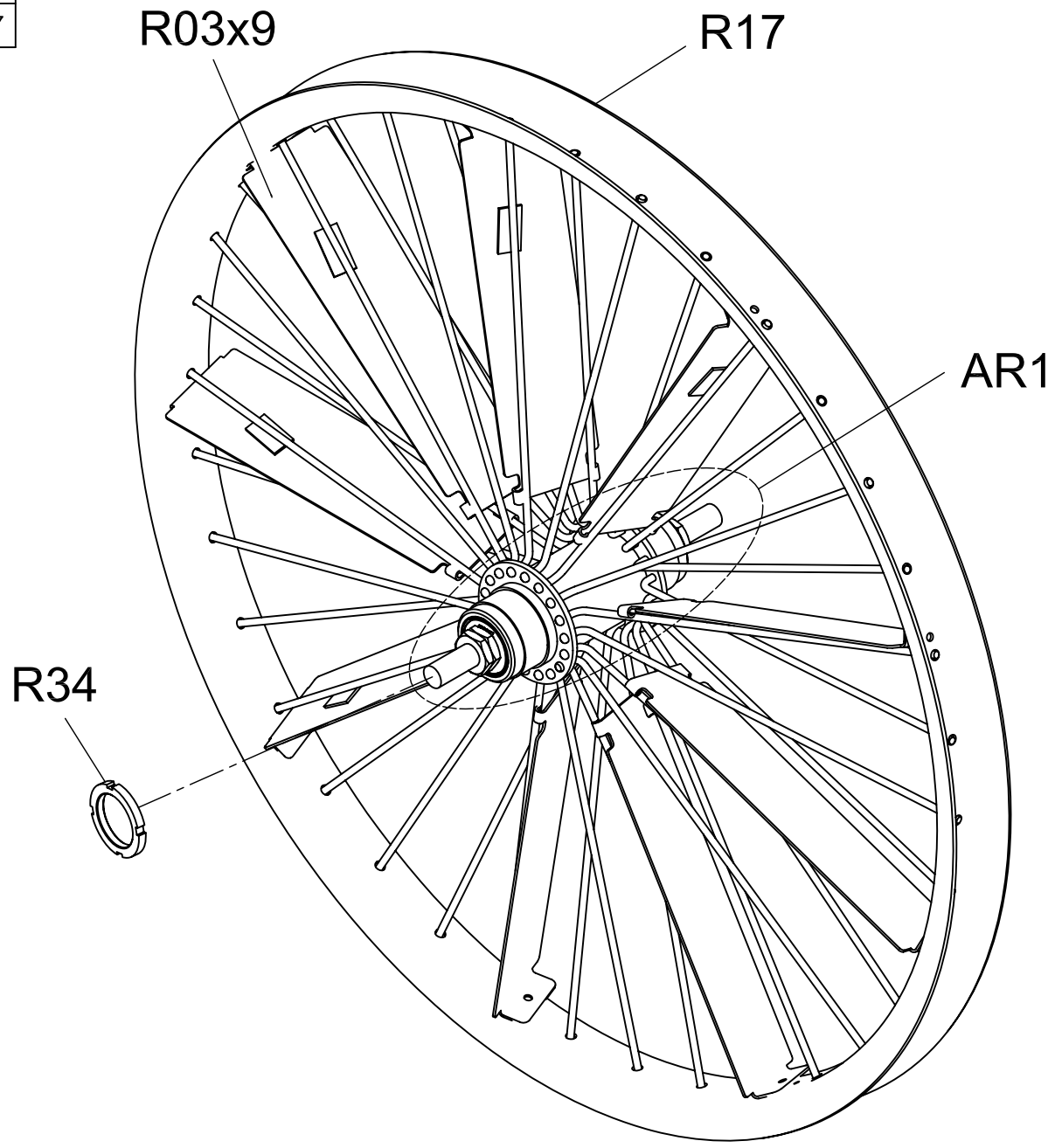
DRAWING NO	AR50-AR3		
PART NAME	Belt Pulley Set		
PART NO	1000303527	REV	A
APPROVE	fangliang	DATE	2013.06.27



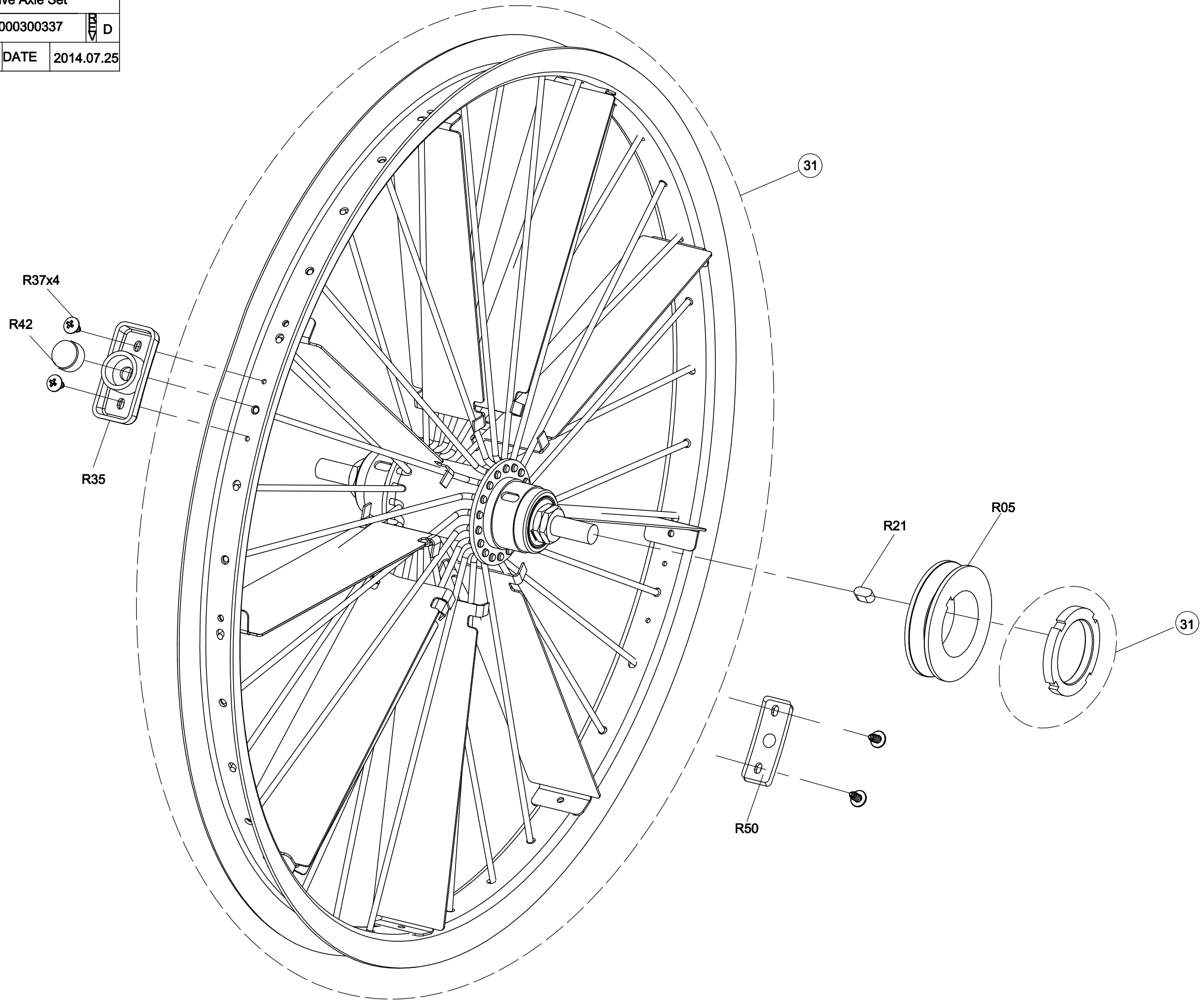
DRAWING NO	AR50-A12		
PART NAME	Pedal Set		
PART NO	1000303262	REV	A
APPROVE	fangling	DATE	2013.06.27



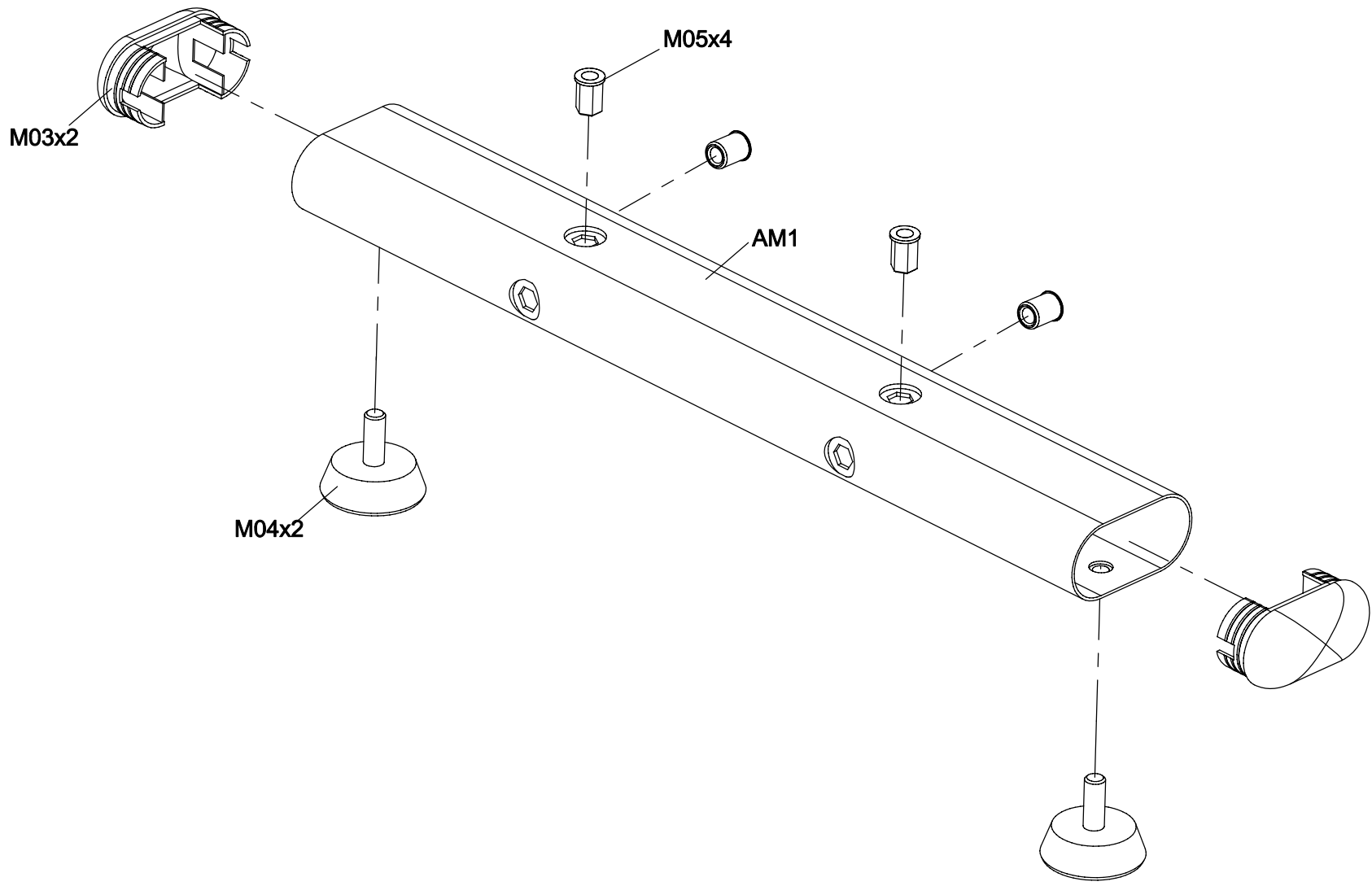
DRAWING NO	AR50-AR11		
PART NAME	Wheel Rim Set		
PART NO	1000301607	REV	A
APPROVE	方玲	DATE	2013.05.27



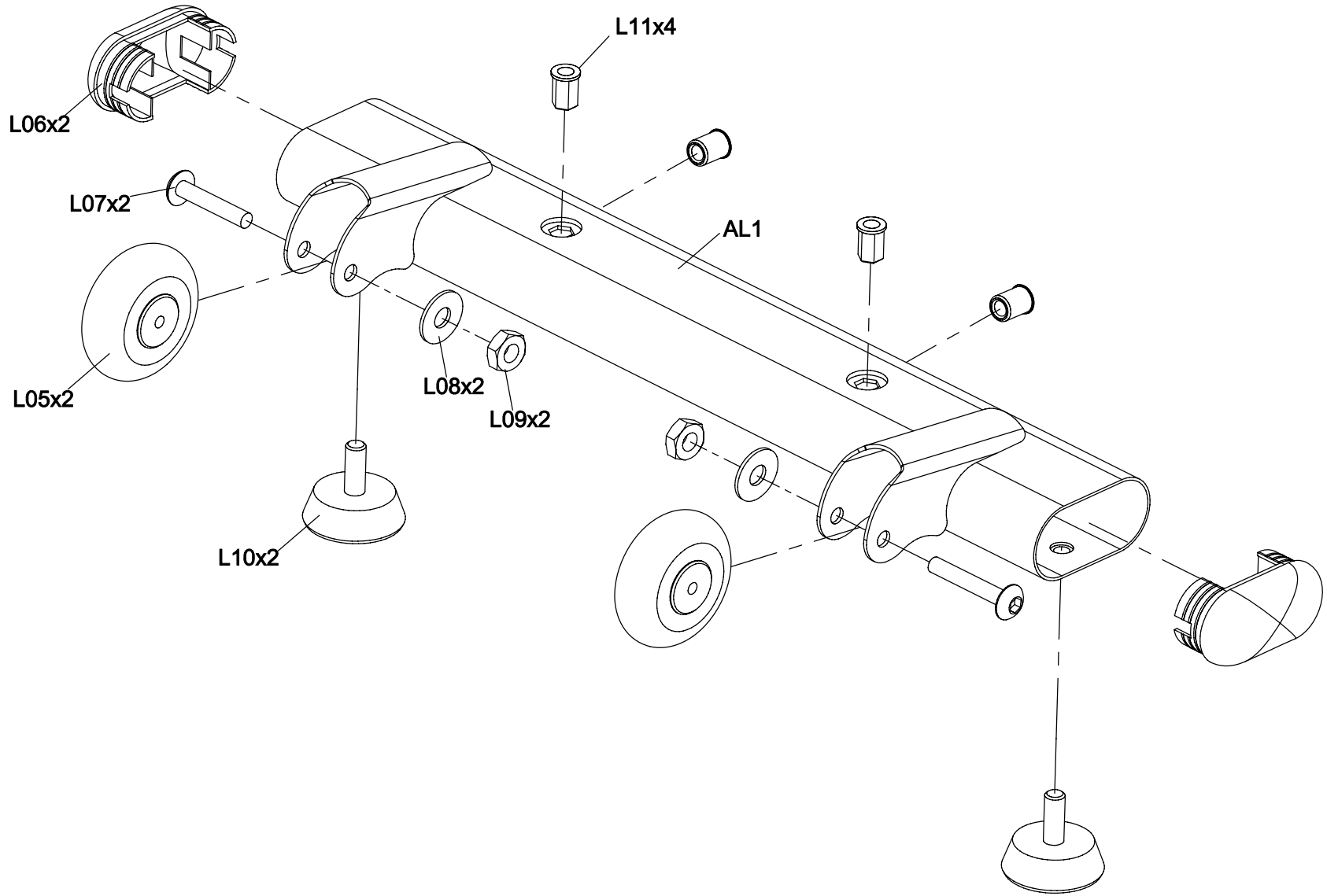
DRAWING NO	AR50-A22		
PART NAME	Drive Axle Set		
PART NO	1000300337	D	
APPROVE	Duweig	DATE	2014.07.25



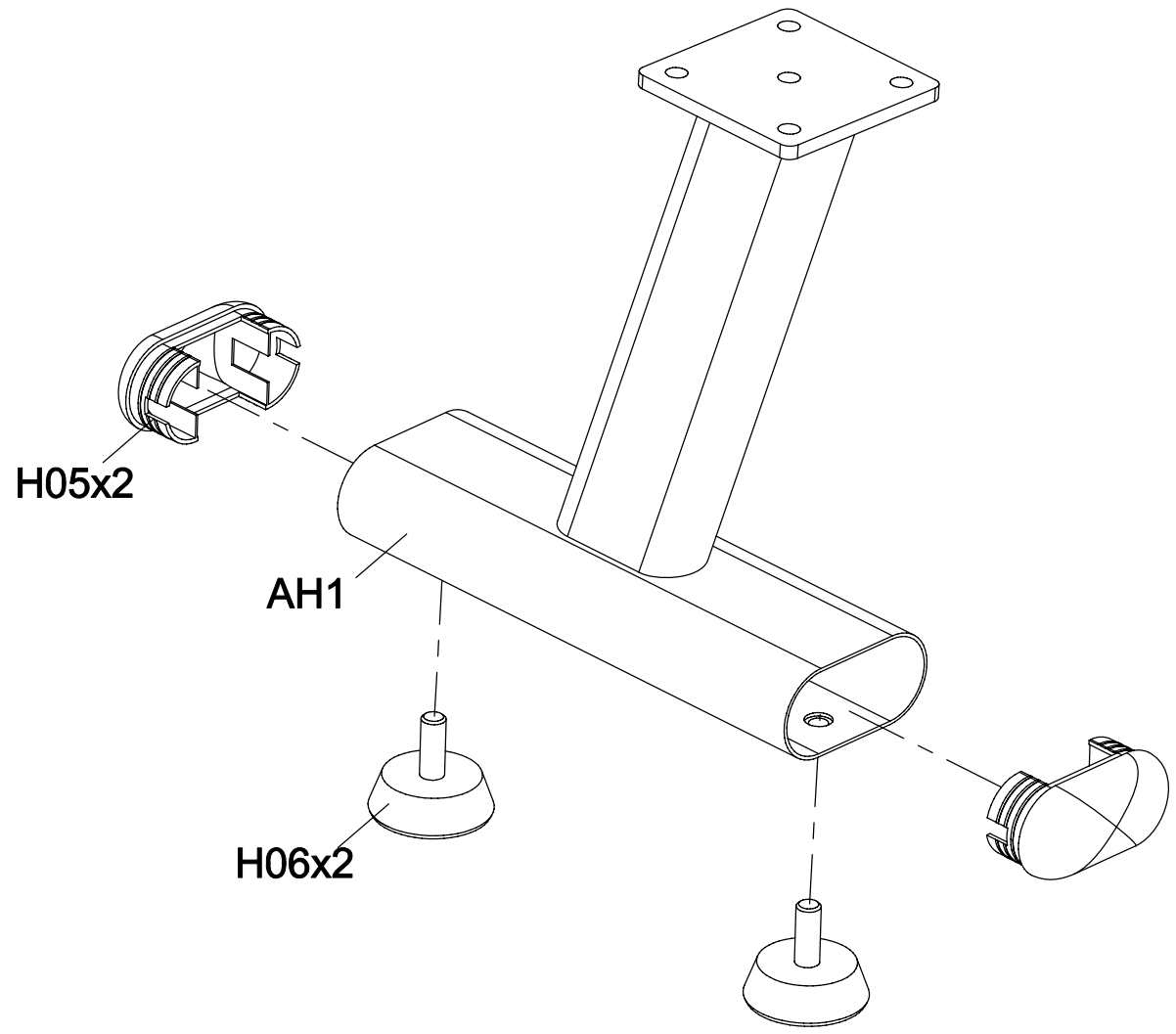
DRAWING NO	AR50-A18		
PART NAME	Front Stabilizer Set		
PART NO	1000300296	REV	A
APPROVE	fangliang	DATE	2013.06.27



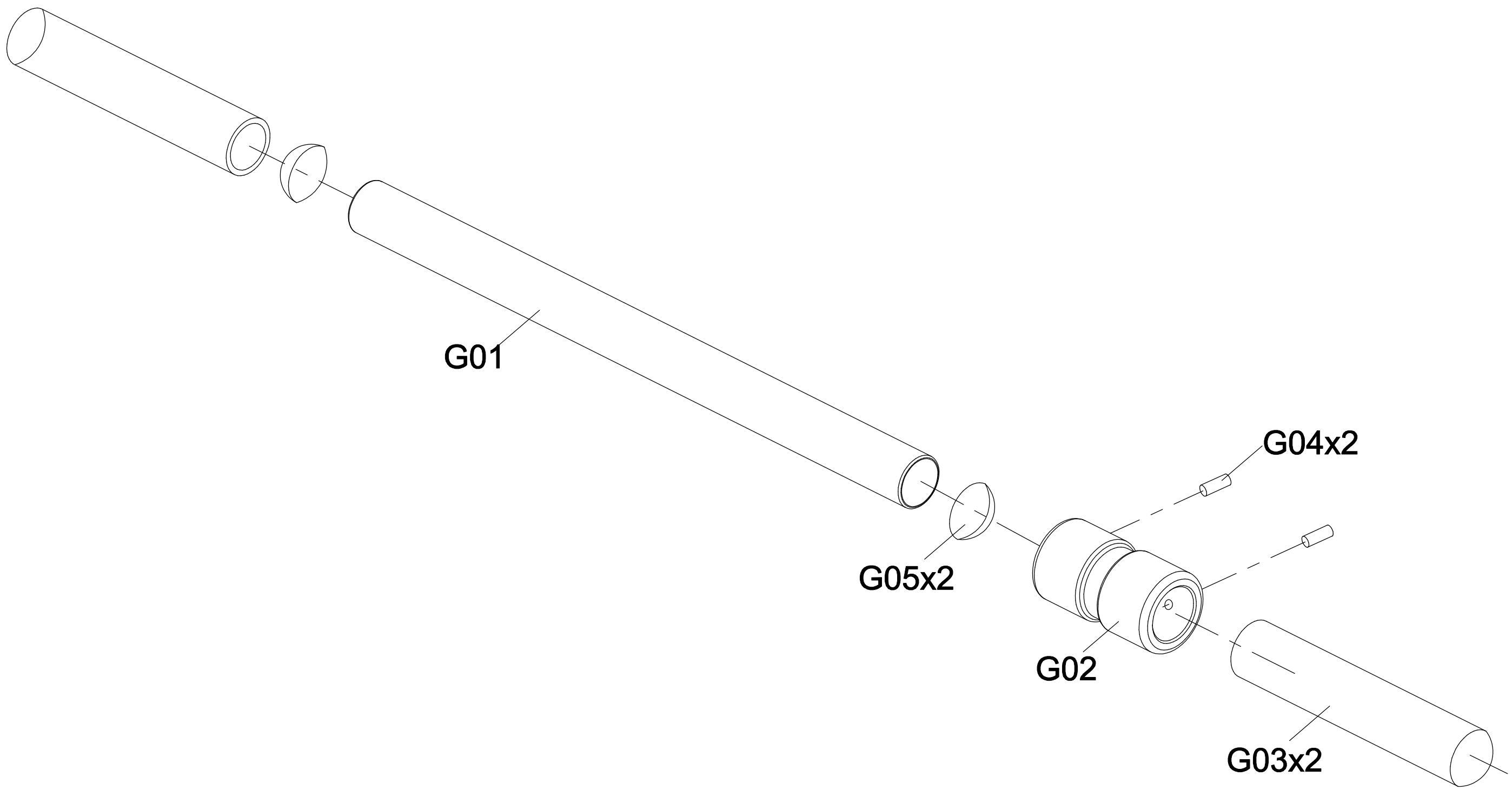
DRAWING NO	AR50-A17		
PART NAME	Middle Stabilizer Set		
PART NO	1000300290	REV	A
APPROVE	fangling	DATE	2013.06.27



DRAWING NO	AR50-A16		
PART NAME	Rear foot Set		
PART NO	1000300270	R A	
APPROVE	fangling	DATE	2013.06.27



DRAWING NO	AR50-A15		
PART NAME	Handlebar Set		
PART NO	1000300265	REV	B
APPROVE	Duweig	DATE	2014.07.25



DRAWING NO	AR50-A13		
PART NAME	Seat Slide Set		
PART NO	1000300225	REV	A
APPROVE	fangling	DATE	2013.06.27

D08x3

D04x3

D03x3

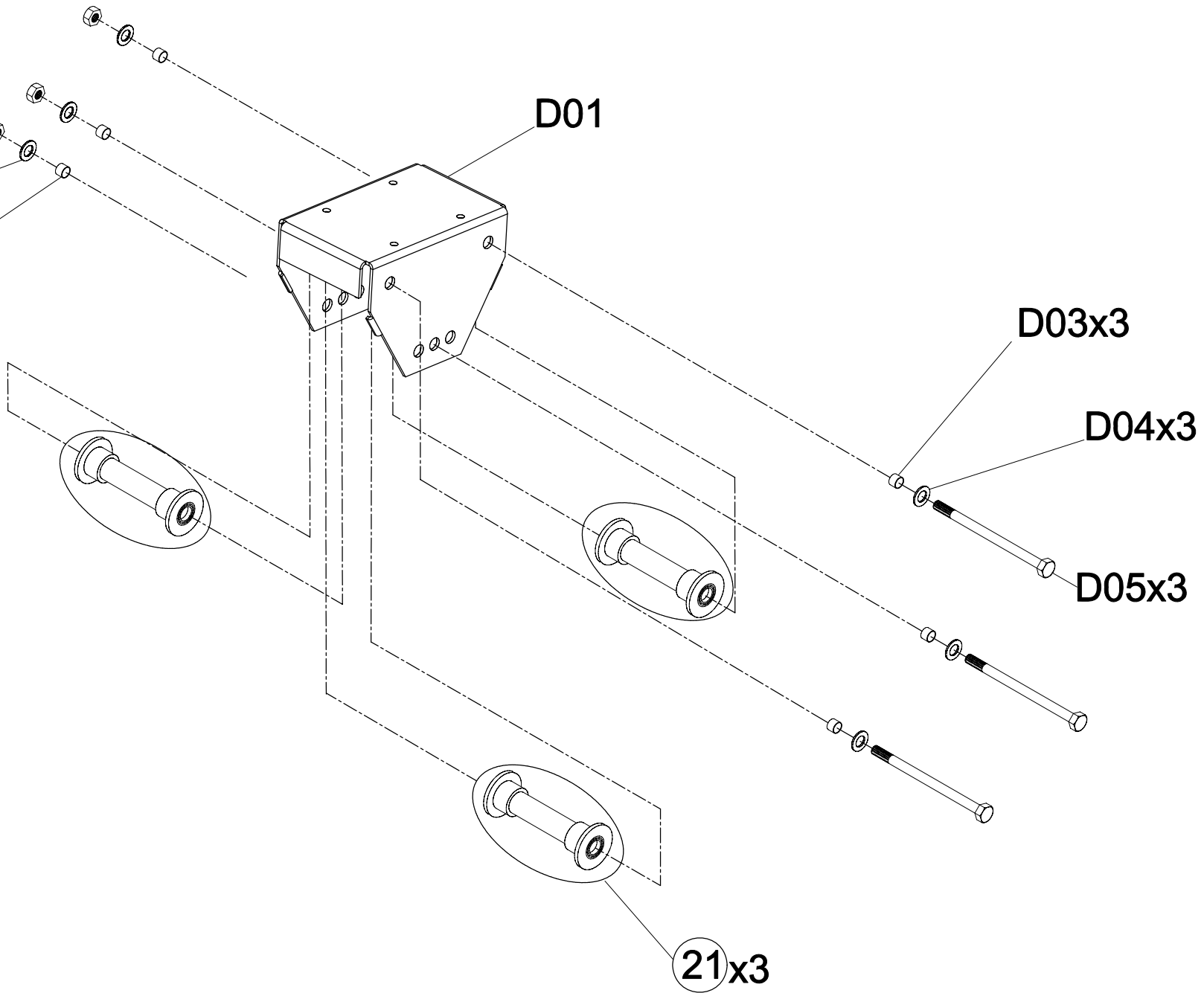
D01

D03x3

D04x3

D05x3

21x3



DRAWING NO	AR50-A11		
PART NAME	Idler Set		
PART NO	1000300217	REV	B
APPROVE	fangling	DATE	2013.07.23

