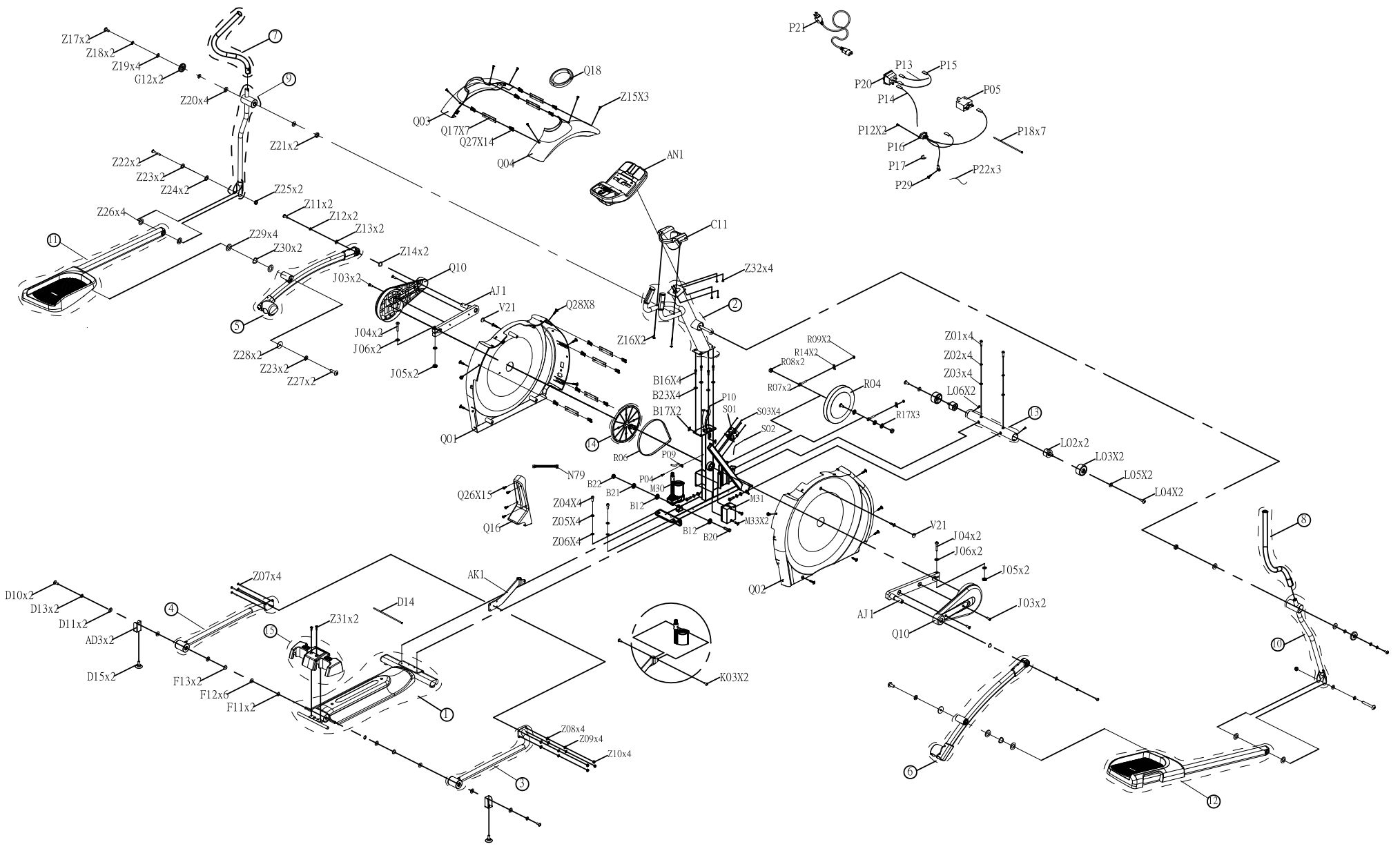
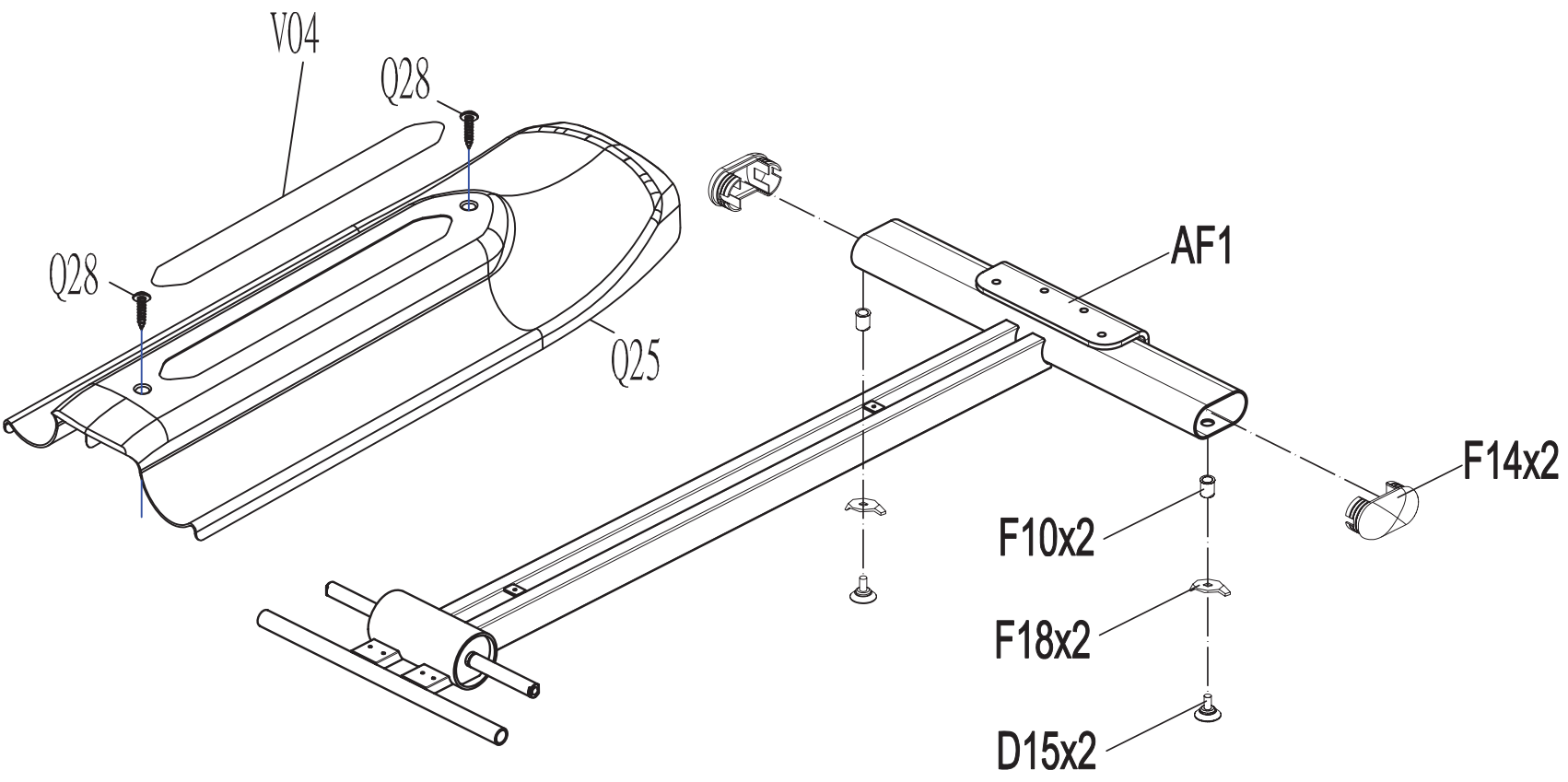


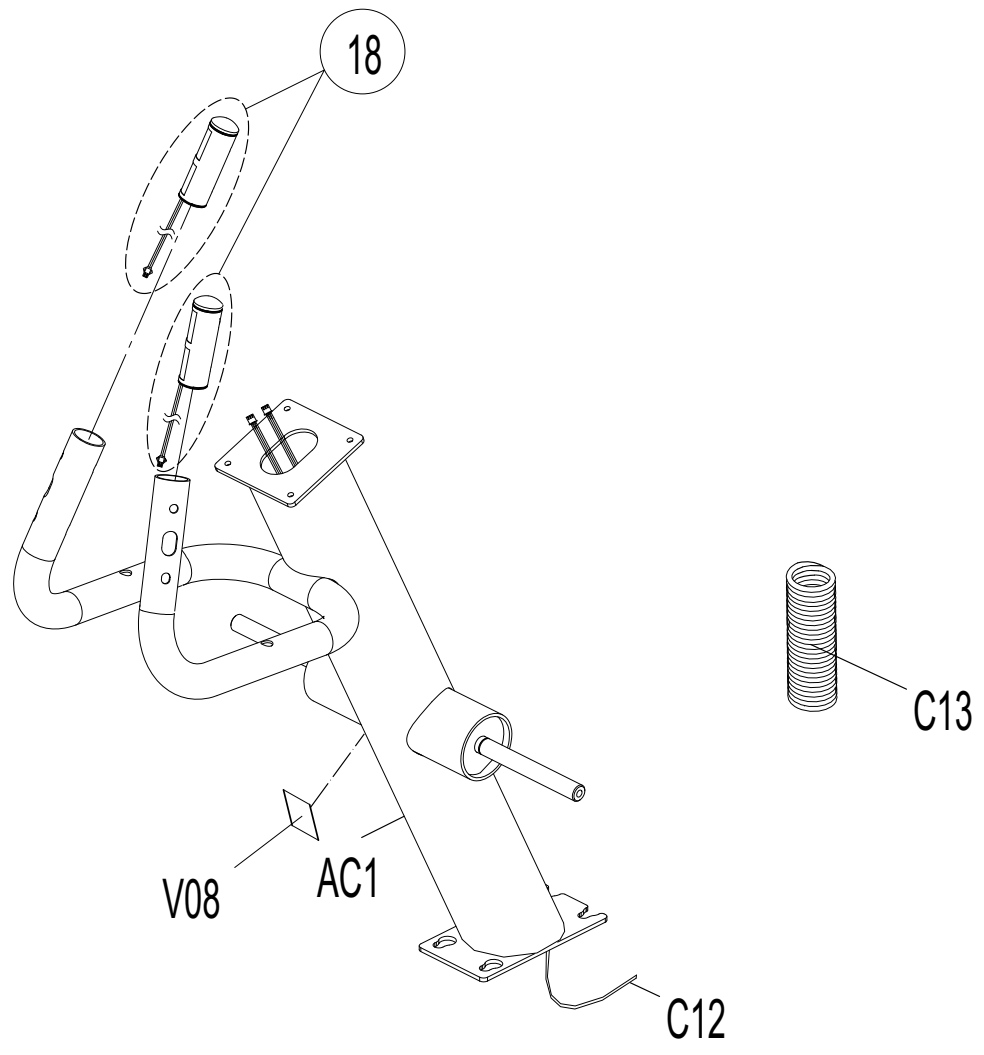
| | | | |
|------------|-------------------|------|----------|
| DRAWING NO | PEP542B-1US | | |
| PART NAME | Explosive Drawing | | |
| PART NO | HEP0357-00 | | A |
| APPROVE | Dary | DATE | 01.28.11 |



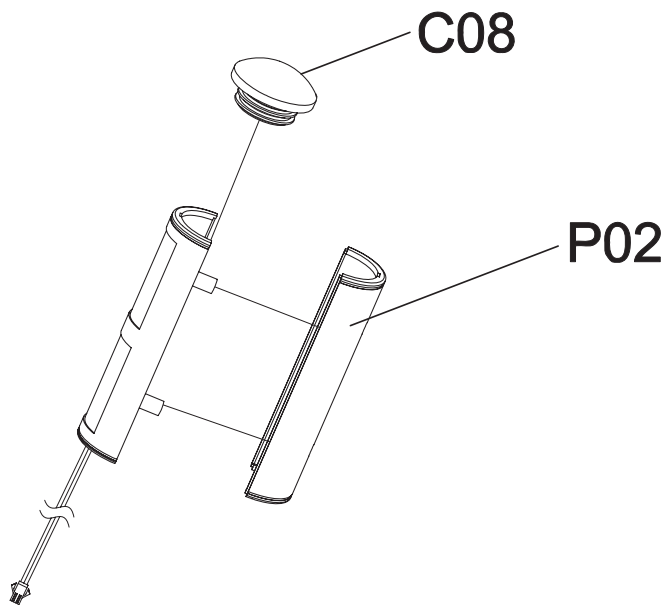
| | | | |
|------------|-------------|------|------------|
| DRAWING NO | EP542-A11 | | |
| PART NAME | Frame Set;B | | |
| PART NO | | REV | B |
| APPROVE | Lvhui | DATE | 2010.03.09 |



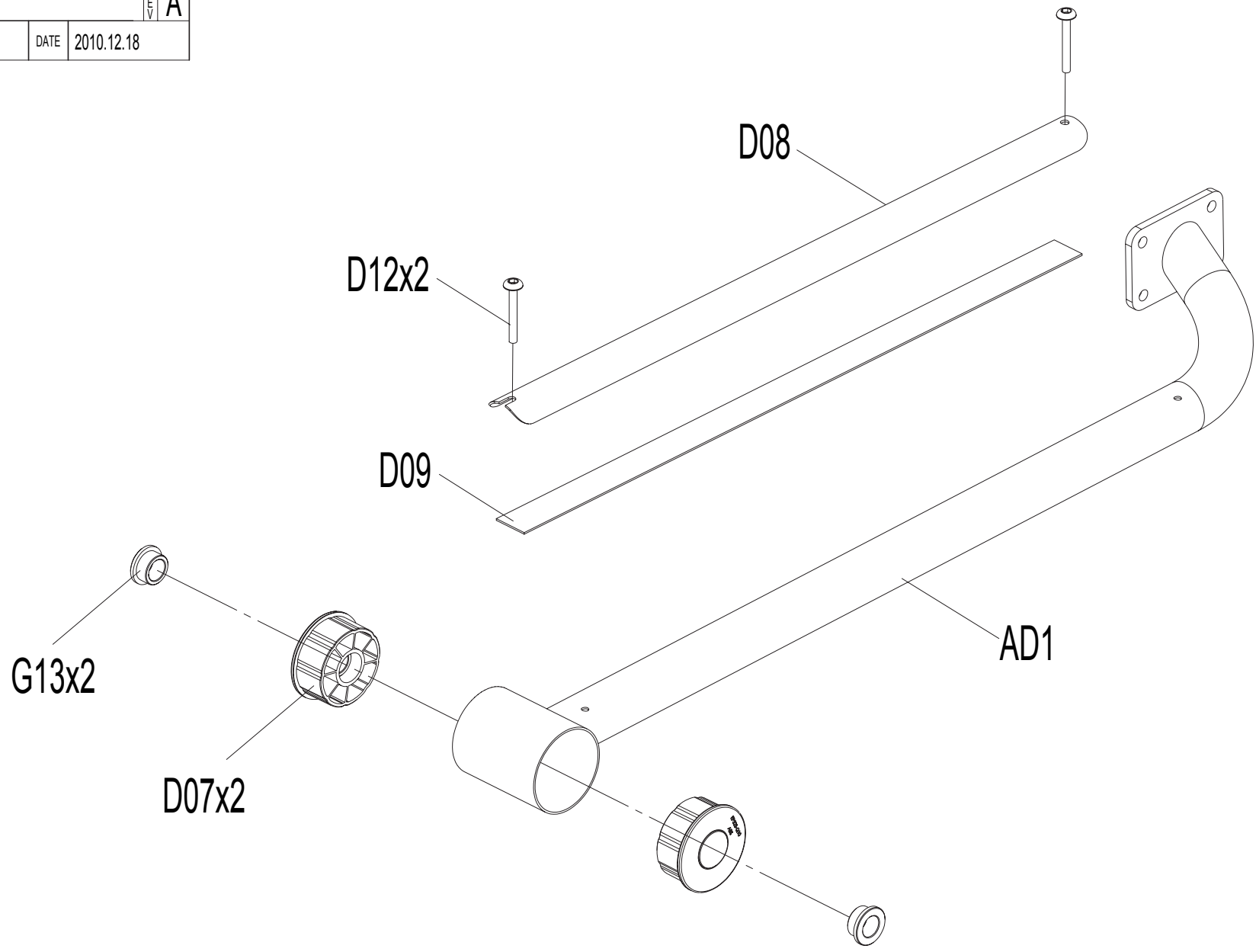
| | | | |
|------------|------------------|------|----------|
| DRAWING NO | EP543-A35 | | |
| PART NAME | Console Mast Set | | |
| PART NO | 1000212604 | REV | A |
| APPROVE | Lvhui | DATE | 03.09.11 |



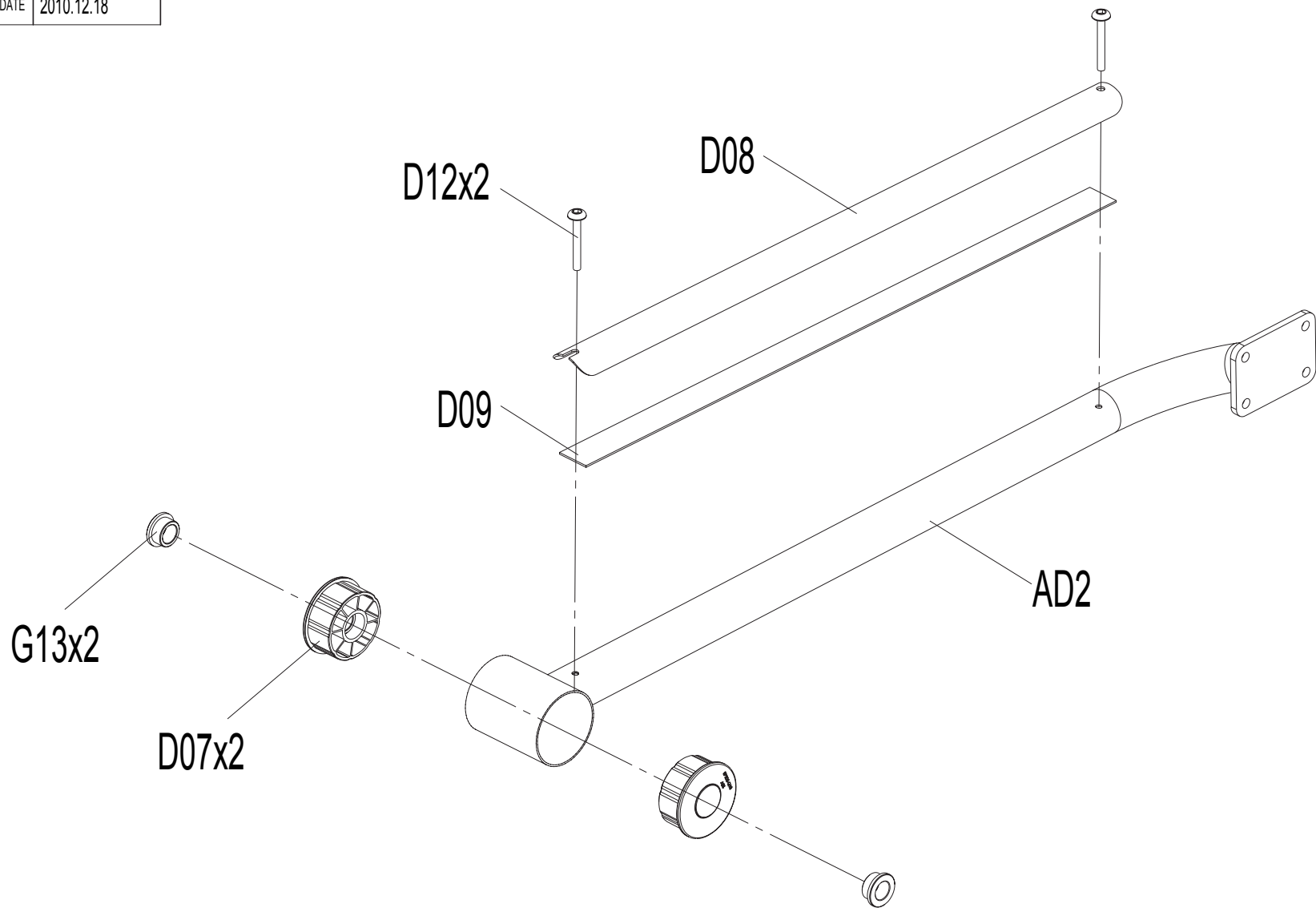
| | | | |
|------------|------------------|------------------|----------|
| DRAWING NO | EP542B-A13 | | |
| PART NAME | Pulse Sensor Set | | |
| PART NO | | R E V ↓ | B |
| APPROVE | Lvhui | DATE | 03.09.11 |



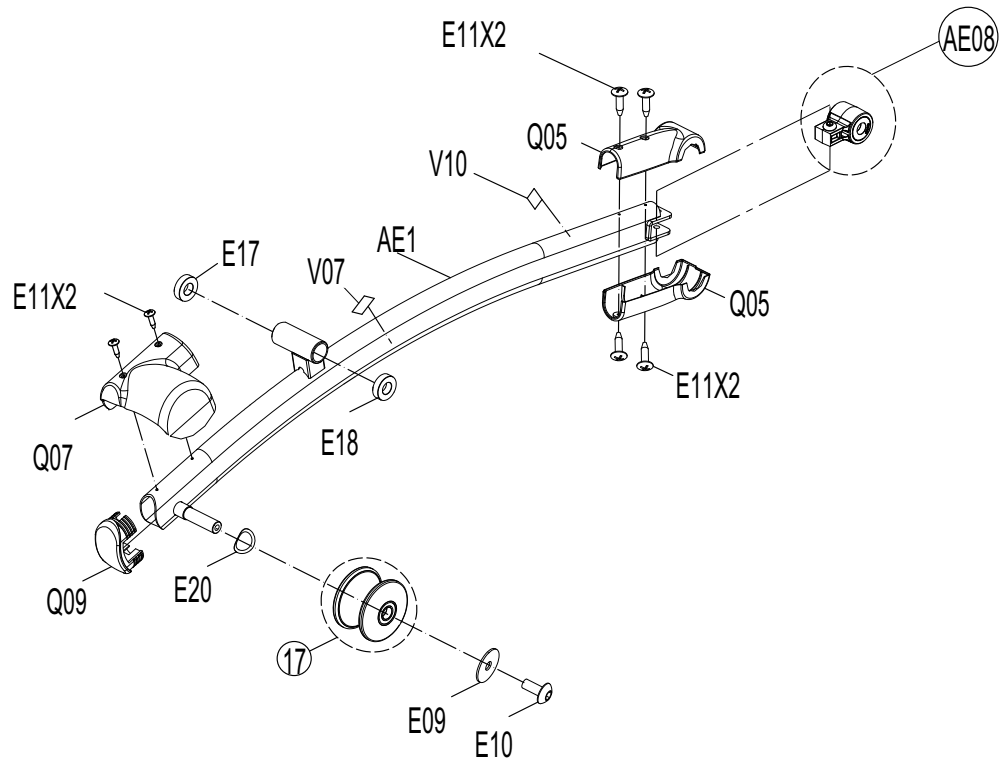
| | | | |
|------------|------------------|------|------------|
| DRAWING NO | EP543-A36 | | |
| PART NAME | Guide rail R Set | | |
| PART NO | | REV | A |
| APPROVE | Lvhui | DATE | 2010.12.18 |



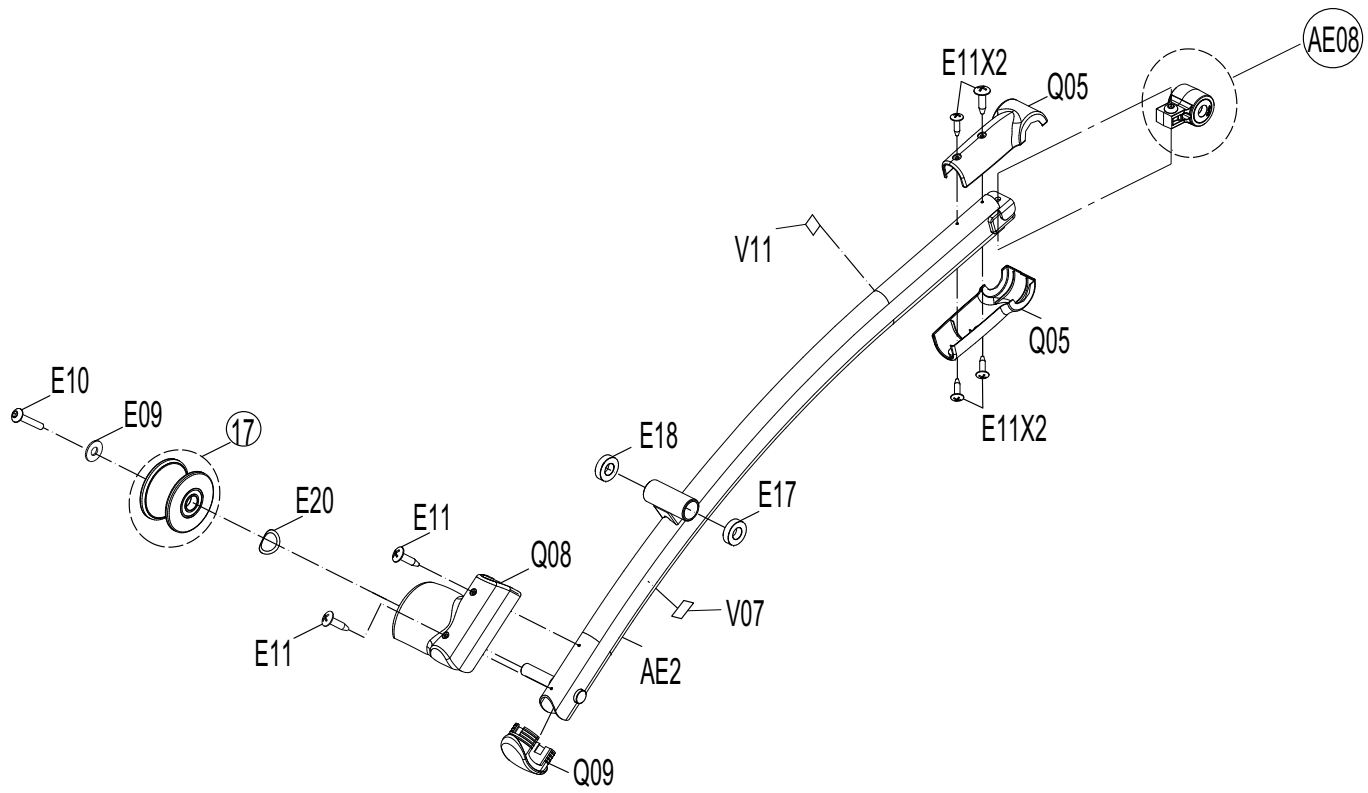
| | | | |
|------------|------------------|------|------------|
| DRAWING NO | EP543-A37 | | |
| PART NAME | Guide rail L Set | | |
| PART NO | | REV | A |
| APPROVE | Lvhui | DATE | 2010.12.18 |



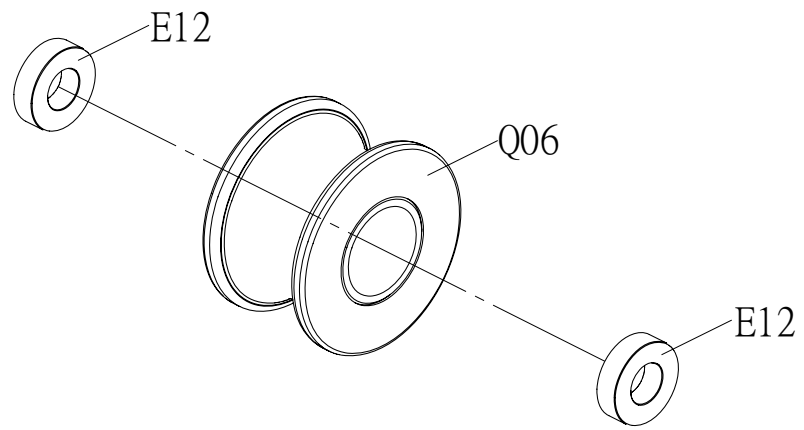
| | | | |
|------------|------------|------|----------|
| DRAWING NO | EP543-A15 | | |
| PART NAME | ARS;SA;L | | |
| PART NO | 1000205343 | REV | A |
| APPROVE | Lvhui | DATE | 12.18.10 |



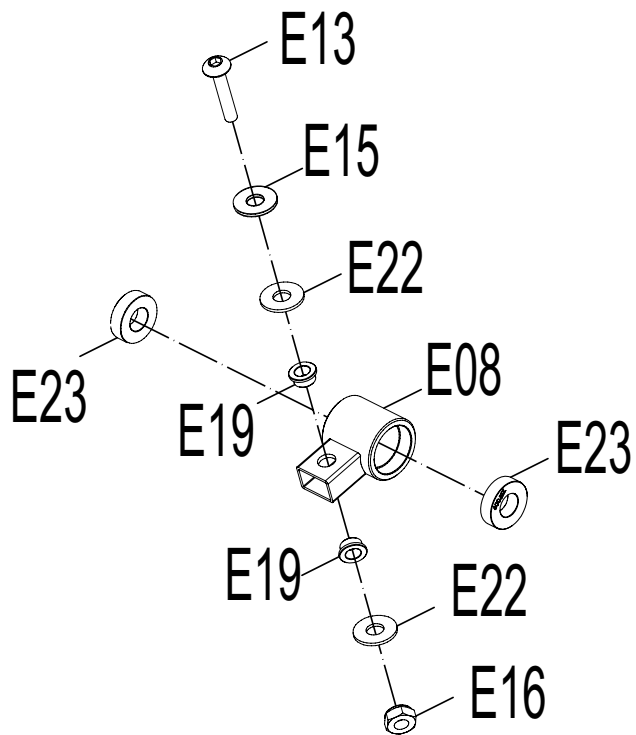
| | | | |
|------------|------------|------|----------|
| DRAWING NO | EP543-A16 | | |
| PART NAME | ARS;SA;R | | |
| PART NO | 1000205344 | TR | A |
| APPROVE | Lvhui | DATE | 12.18.10 |



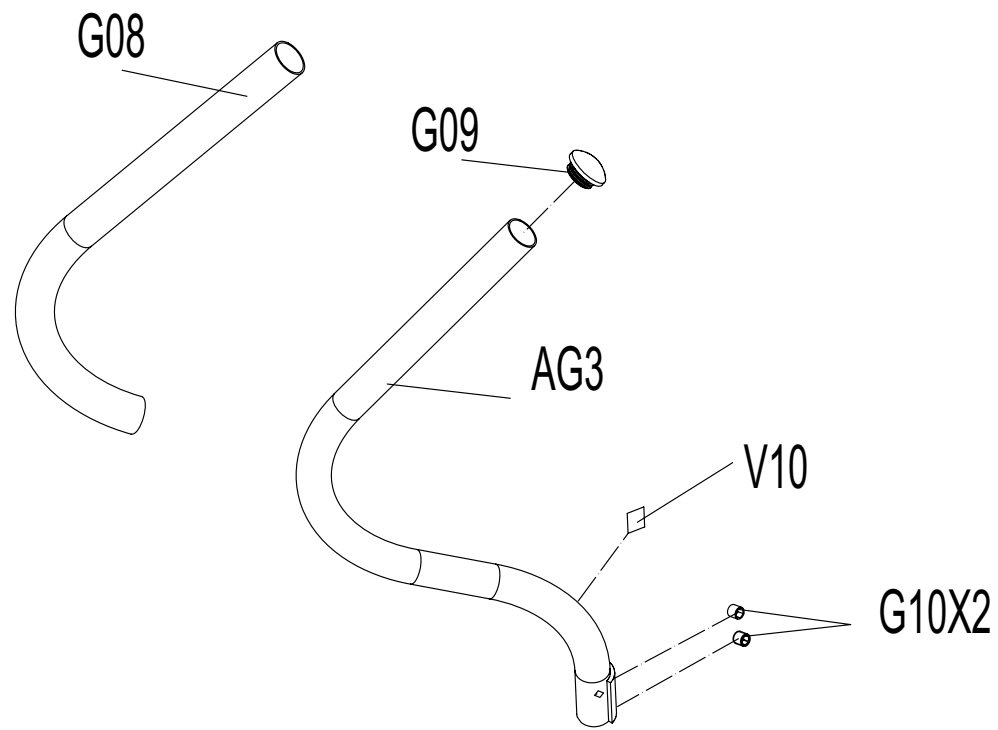
| | | | |
|------------|------------|------|----------|
| DRAWING NO | EP525-A30 | | |
| PART NAME | Roller Set | | |
| PART NO | 1000212755 | REV | A |
| APPROVE | Dary | DATE | 12.06.10 |



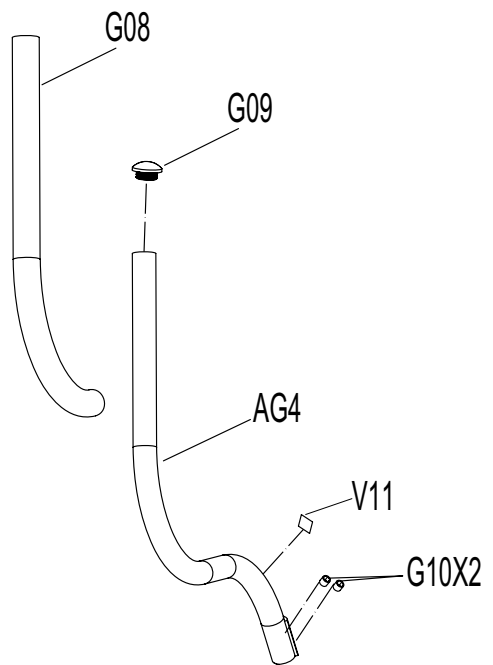
| | | | |
|------------|---------------|------|----------|
| DRAWING NO | EP543-A21 | | |
| PART NAME | Crank Pin Set | | |
| PART NO | 1000214179 | REV | A |
| APPROVE | Lvhui | DATE | 12.18.10 |



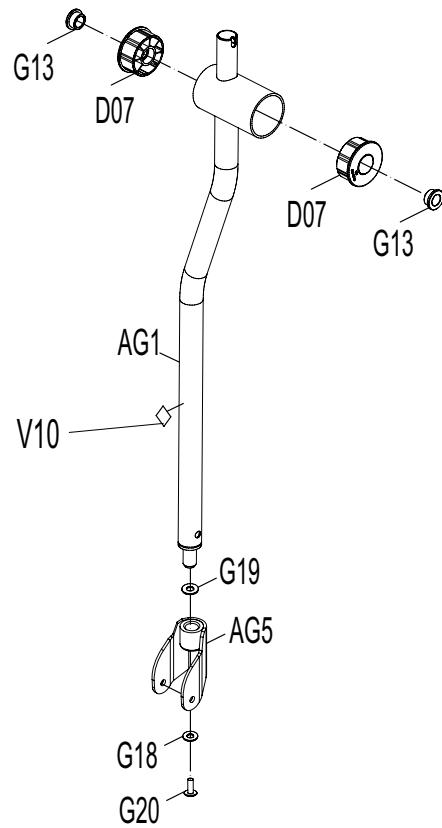
| | | | |
|------------|------------------|------|----------|
| DRAWING NO | EP543-A17 | | |
| PART NAME | ARM REST SET ;LU | | |
| PART NO | 1000205346 | REV | A |
| APPROVE | Lvhui | DATE | 01.10.11 |



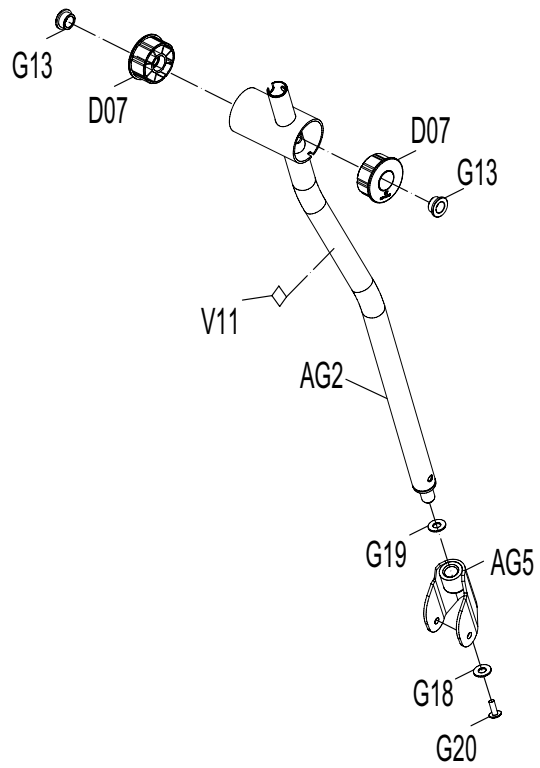
| | | | |
|------------|------------------|------|----------|
| DRAWING NO | EP543-A18 | | |
| PART NAME | ARM REST SET ;RU | | |
| PART NO | 1000205347 | REV | A |
| APPROVE | Lvhui | DATE | 01.10.11 |



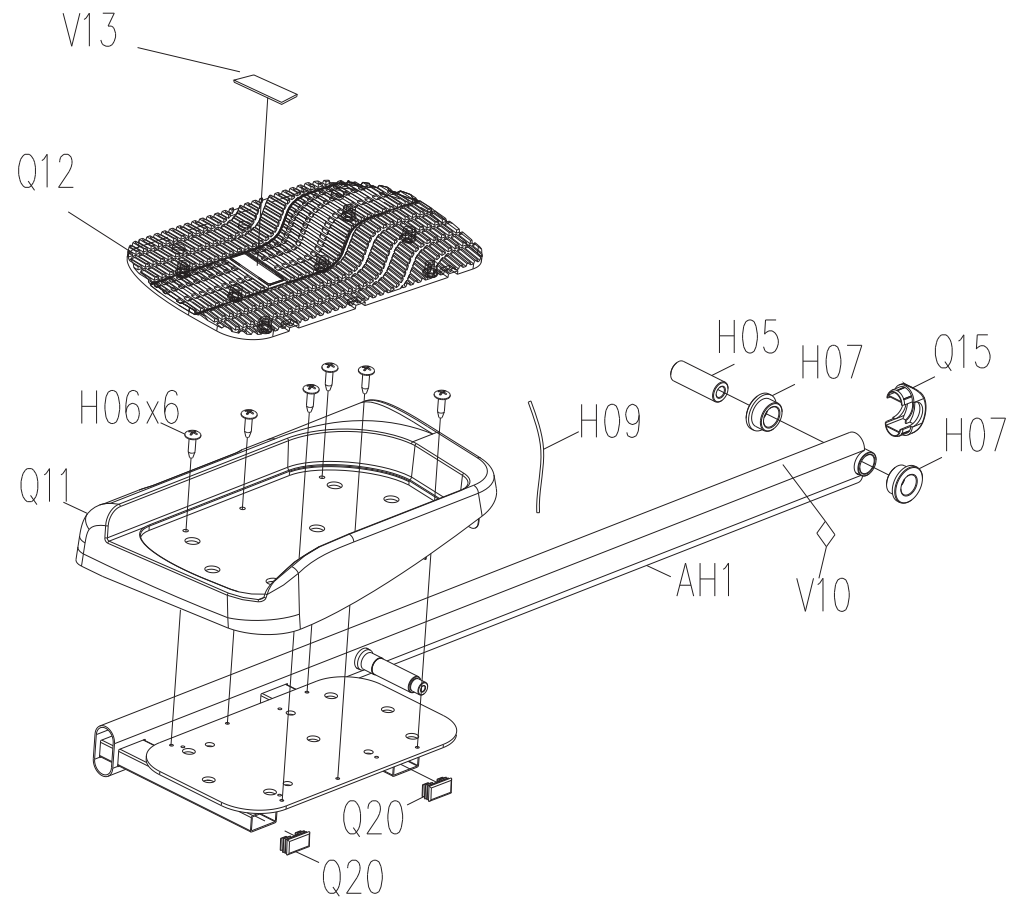
| | | | |
|------------|------------|------|----------|
| DRAWING NO | EP543-A19 | | |
| PART NAME | ARS;SA;LD | | |
| PART NO | 1000205348 | REV | A |
| APPROVE | Lvhui | DATE | 01.10.11 |



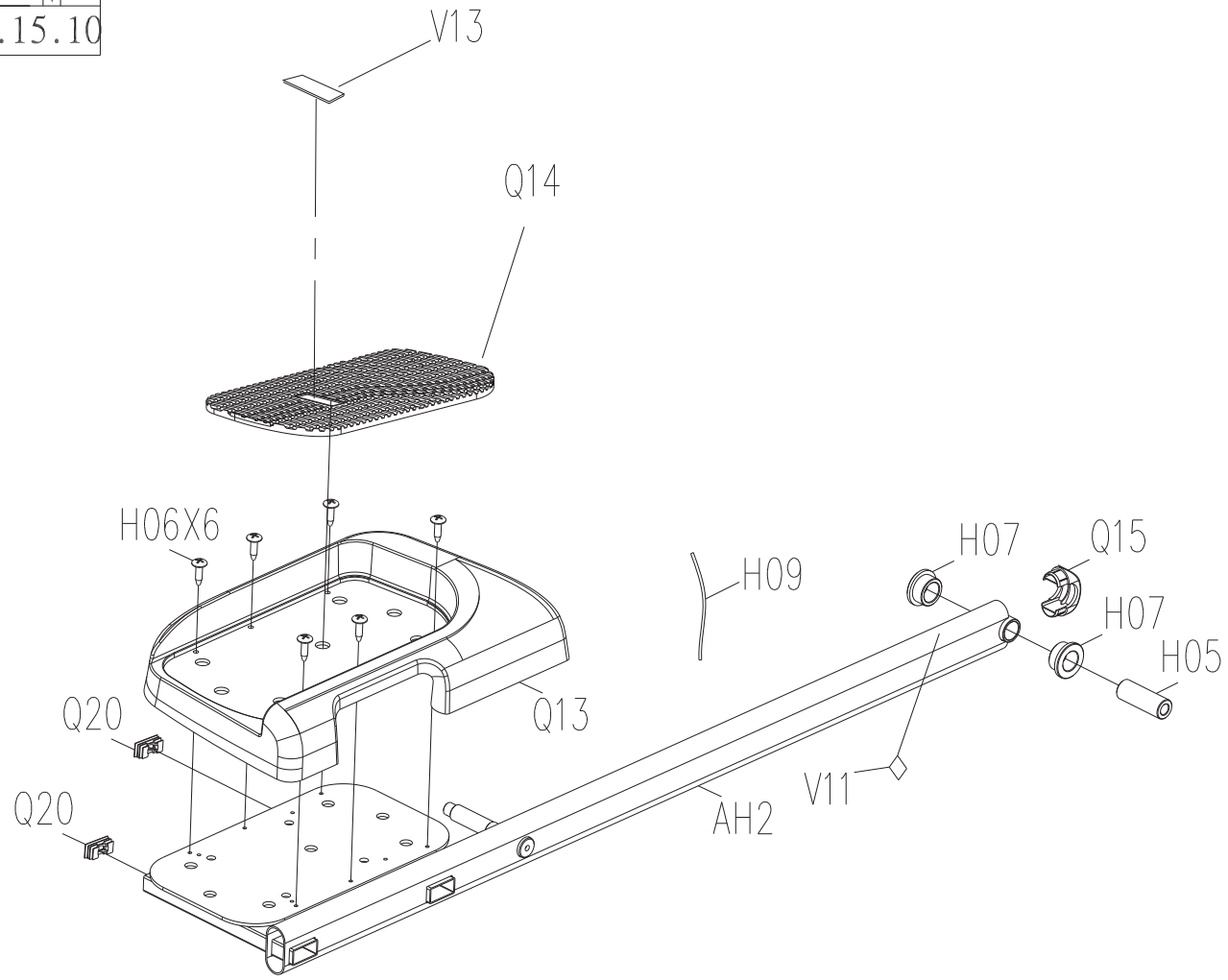
| | | | |
|------------|------------|------|----------|
| DRAWING NO | EP543-A20 | | |
| PART NAME | ARS;SA;RD | | |
| PART NO | 1000205350 | REV | A |
| APPROVE | Lvhui | DATE | 01.10.11 |



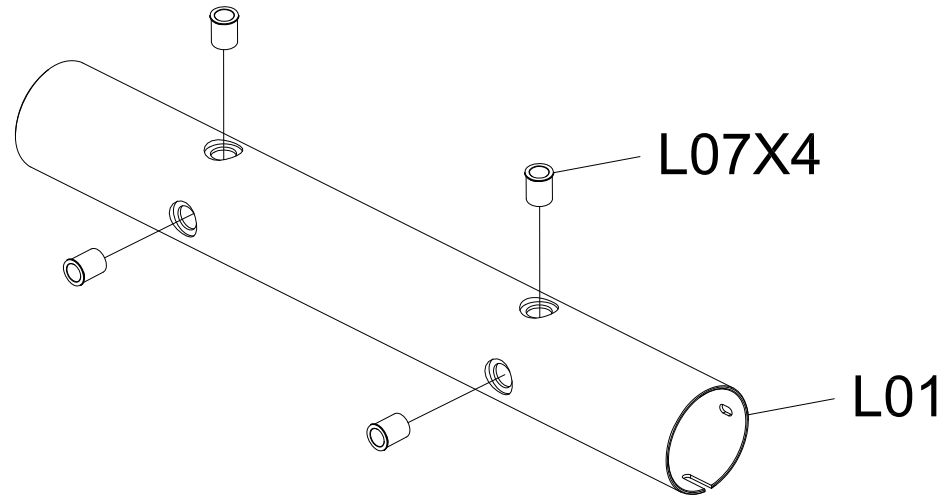
| | | | |
|------------|-----------|------|----------|
| DRAWING NO | EP542-A21 | | |
| PART NAME | LINK AS;L | | |
| PART NO | | REV | A |
| APPROVE | Lvhui | DATE | 12.15.10 |



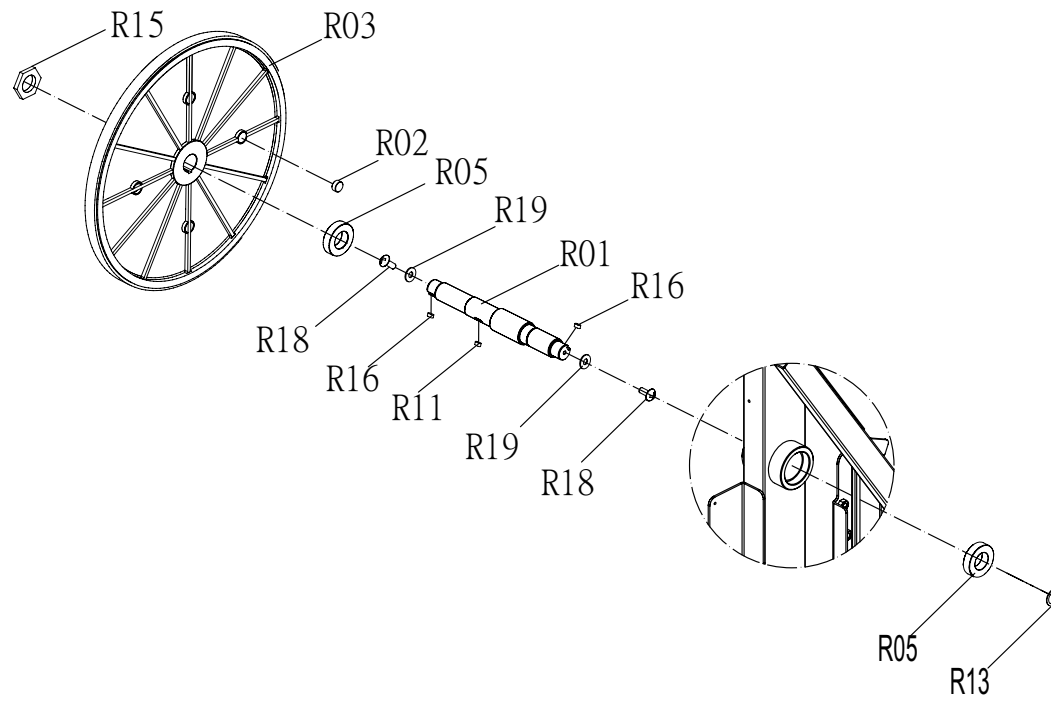
| | | | |
|------------|-----------|------|----------|
| DRAWING NO | EP542-A22 | | |
| PART NAME | LINK AS;R | | |
| PART NO | | REV | A |
| APPROVE | Lvhui | DATE | 12.15.10 |



| | | | |
|------------|----------------------|------|---|
| DRAWING NO | EP527-A24 | | |
| PART NAME | Front Stabilizer SET | | |
| PART NO | 1000111657 | REV | A |
| APPROVE | | DATE | |



| | | | |
|------------|------------|------|----------|
| DRAWING NO | EP543-A31 | | |
| PART NAME | 傳動軸組 | | |
| PART NO | 1000205360 | REV | A |
| APPROVE | Lvhui | DATE | 12.18.10 |



| | | | |
|------------|---------------|------|------------|
| DRAWING NO | EP542-A17 | | |
| PART NAME | Shield Set;B; | | |
| PART NO | | REV | A |
| APPROVE | Lvhui | DATE | 2010.12.15 |

