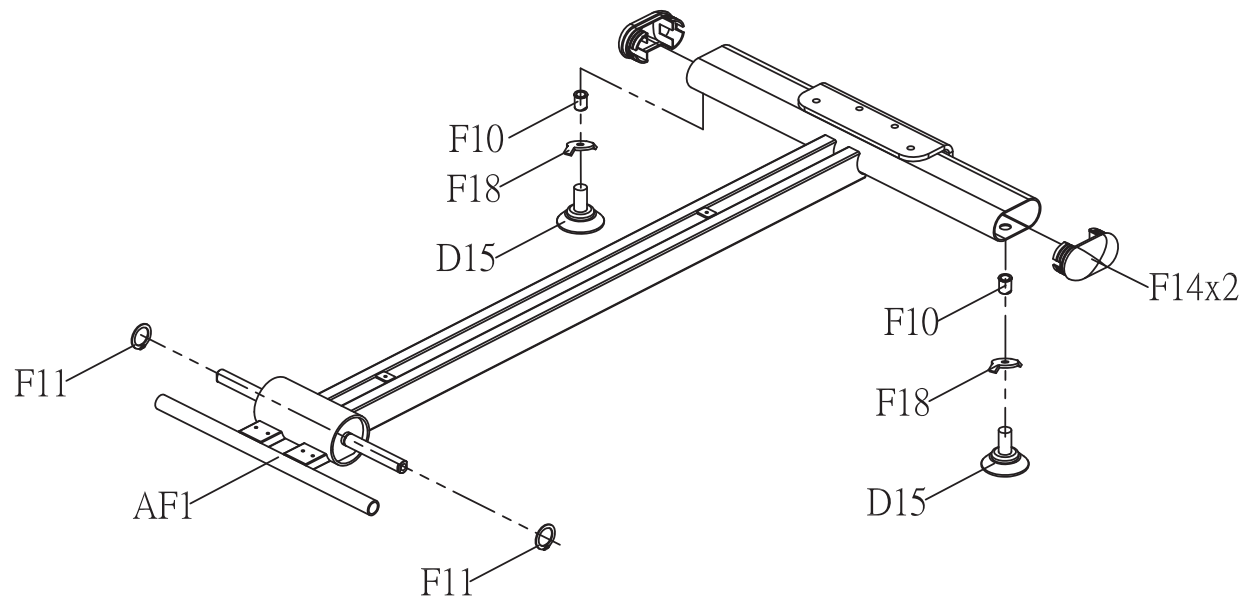
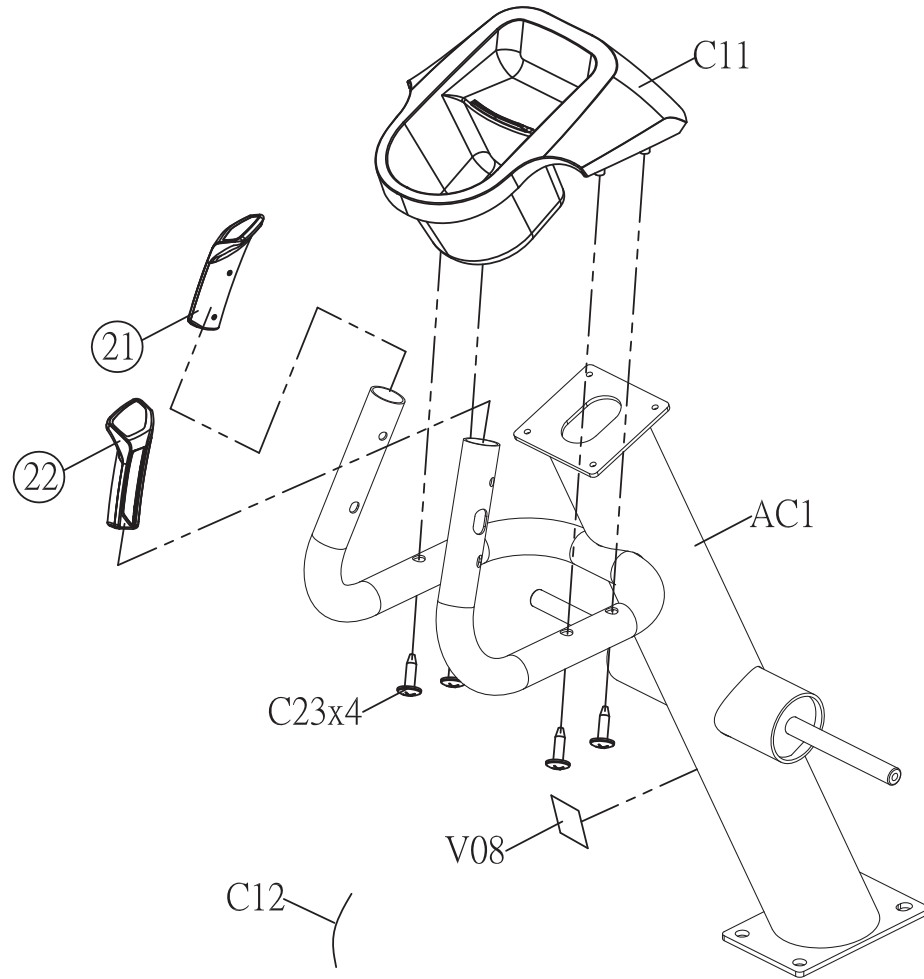


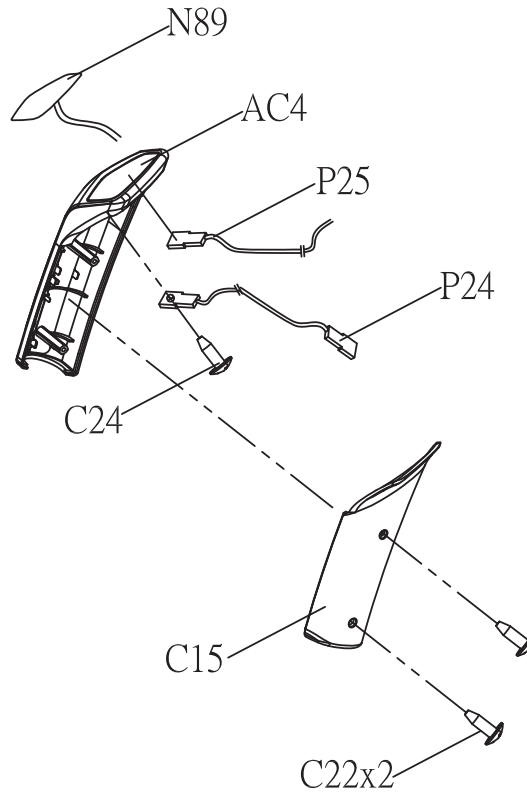
DRAWING NO	EP558-A11		
PART NAME	FRAME SET;SA;B		
PART NO	1000229956	REV	A
APPROVE	Dary	DATE	2012.02.14



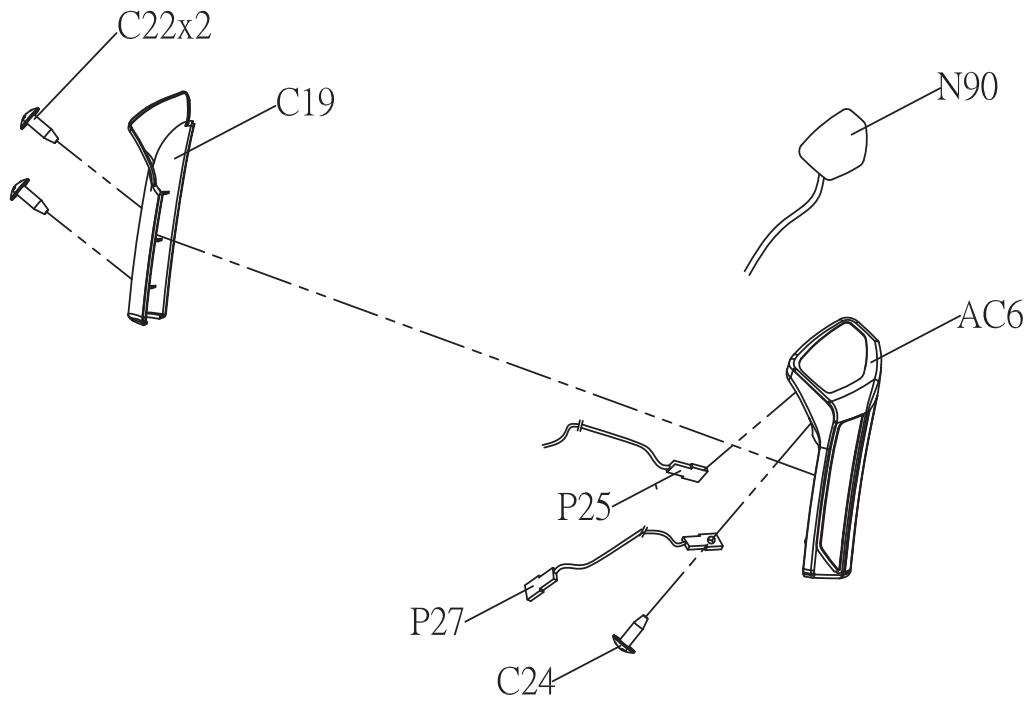
DRAWING NO	EP559-A12		
PART NAME	Console Mast Set		
PART NO	1000230658	REV	A
APPROVE	Dary	DATE	2012.07.02



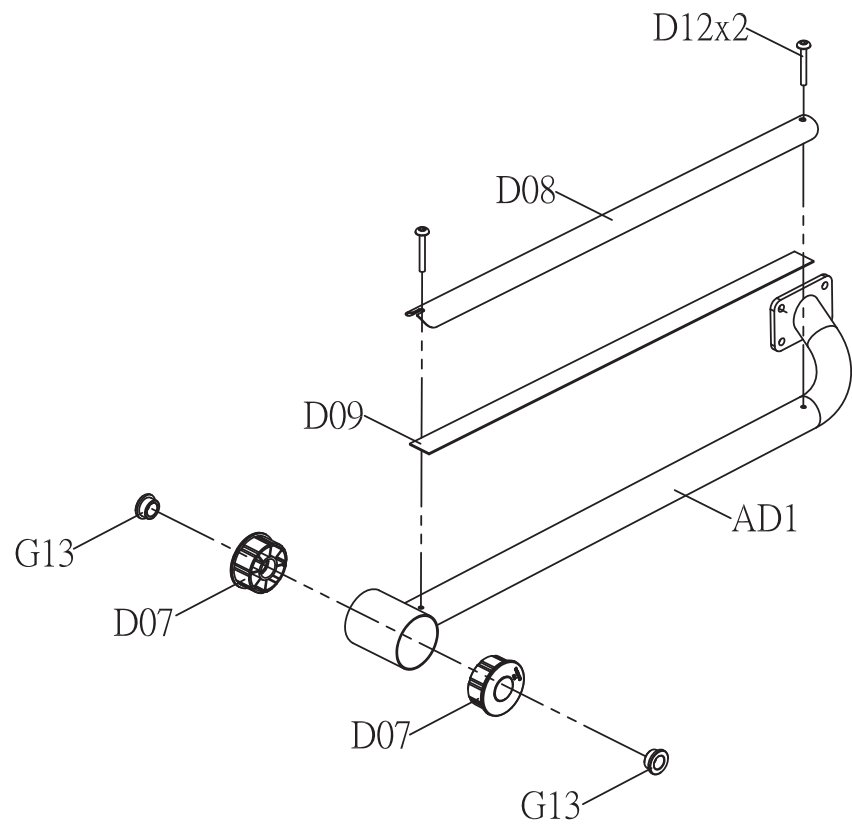
DRAWING NO	EP559-A30		
PART NAME	Sensor Set;L;S-EP559;AR;		
PART NO	1000233804	REV	A
APPROVE	Dary	DATE	2012.07.02



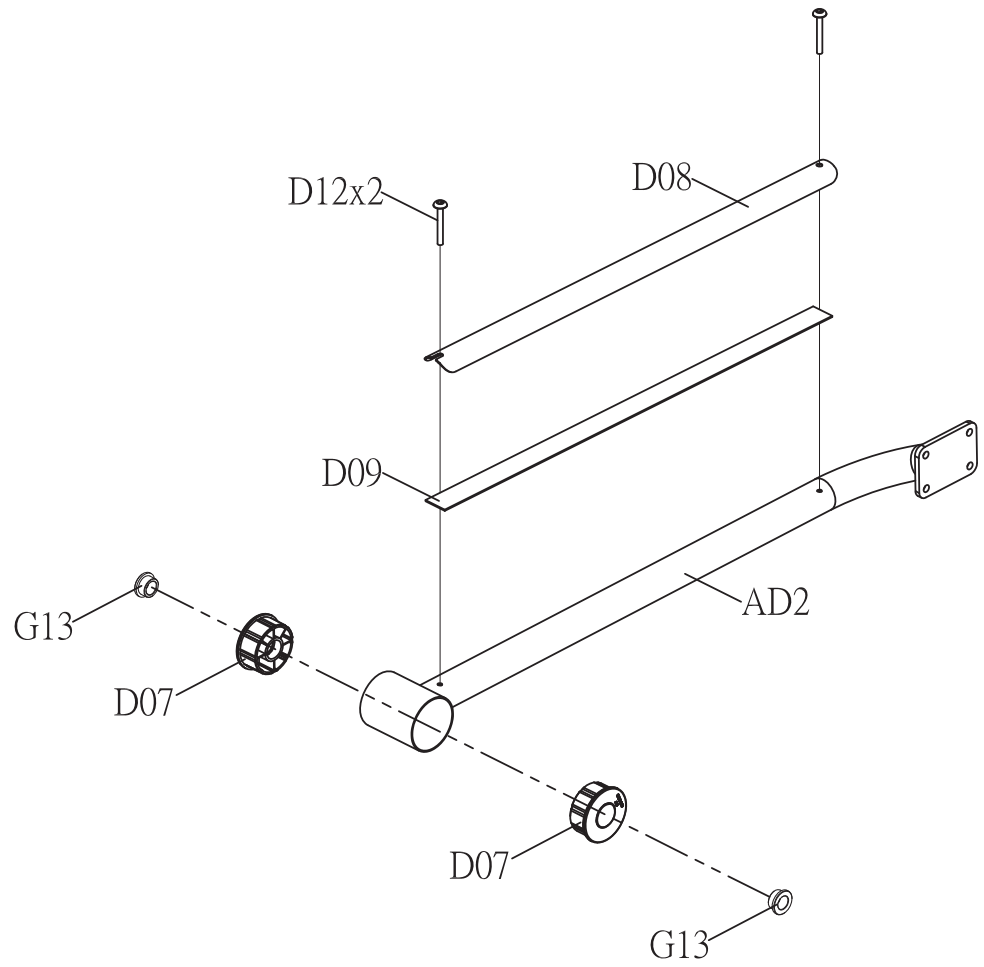
DRAWING NO	EP559-A31		
PART NAME	Sensor Set;R;S-EP559;AR;		
PART NO	1000233805	REV	A
APPROVE	Dary	DATE	2012.07.02



DRAWING NO	EP558-A13		
PART NAME	R-Guide Rail Set		
PART NO	1000229959	REV	A
APPROVE	Dary	DATE	2012.02.14

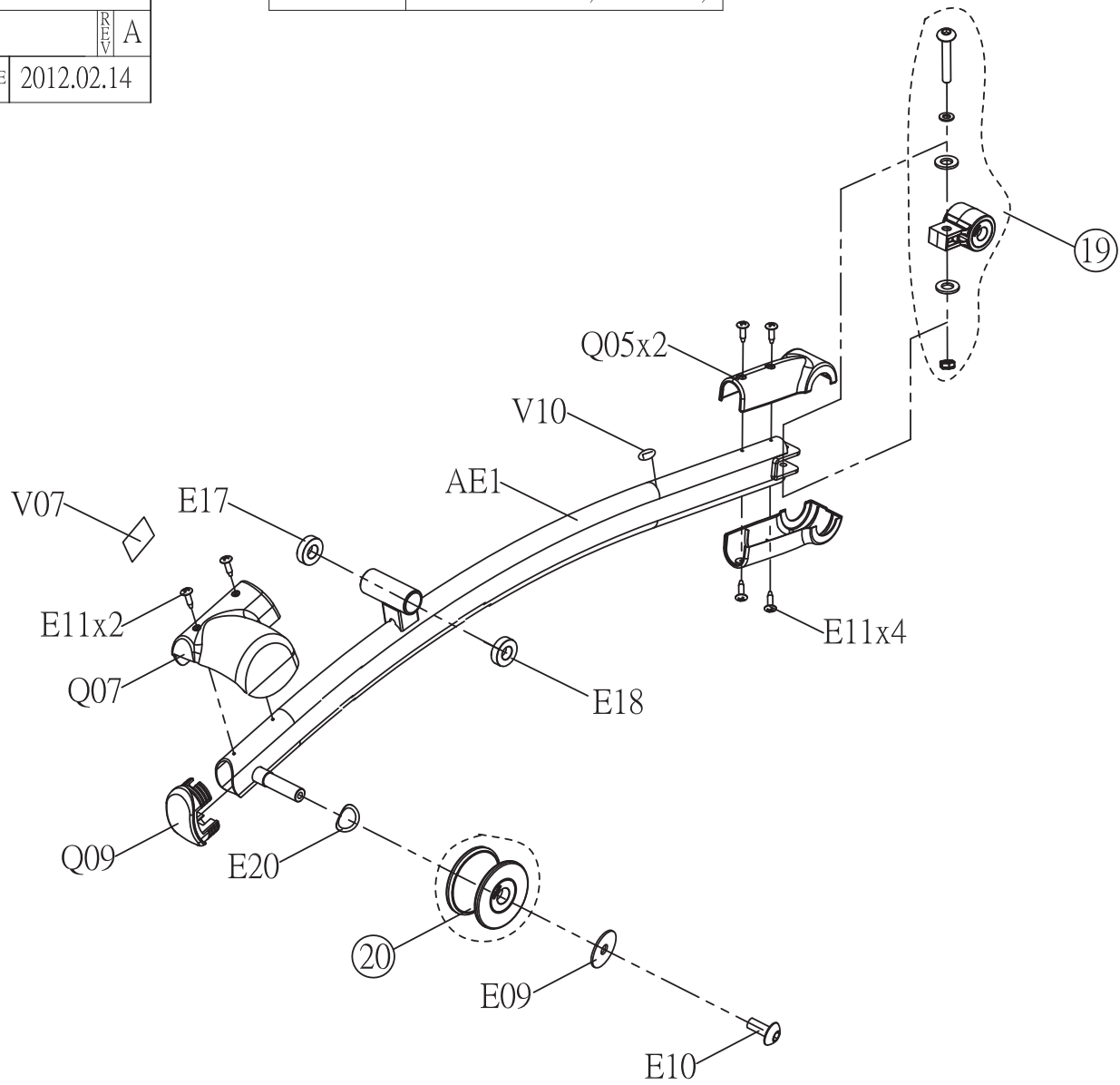


DRAWING NO	EP558-A14		
PART NAME	L-Guide Rail Set		
PART NO	1000229958	REV	A
APPROVE	Dary	DATE	2012.02.14



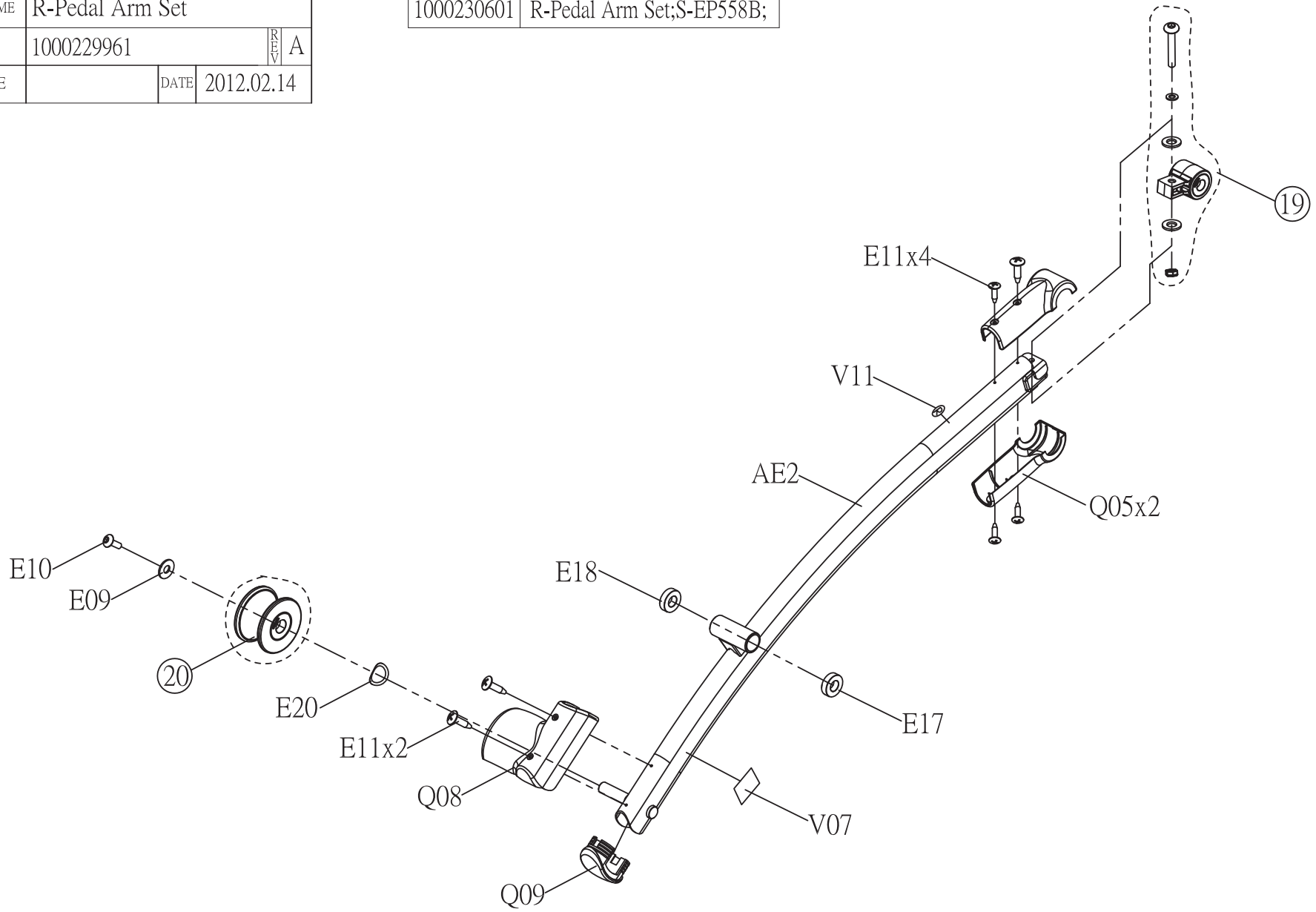
DRAWING NO	EP558-A15		
PART NAME	L-Pedal Arm Set		
PART NO	1000229960	REV	A
APPROVE		DATE	2012.02.14

Part NO	Description
1000230600	L-Pedal Arm Set;S-EP558B;

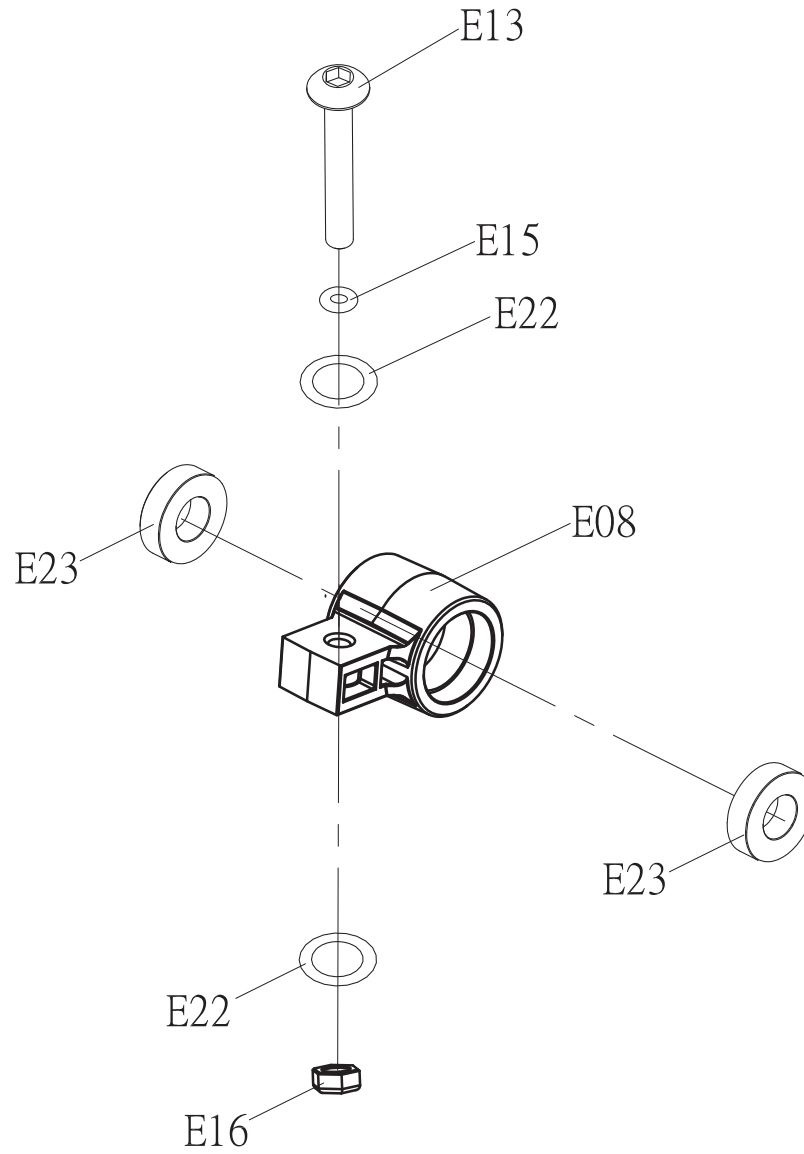


DRAWING NO	EP558-A16		
PART NAME	R-Pedal Arm Set		
PART NO	1000229961	REVISION	A
APPROVE		DATE	2012.02.14

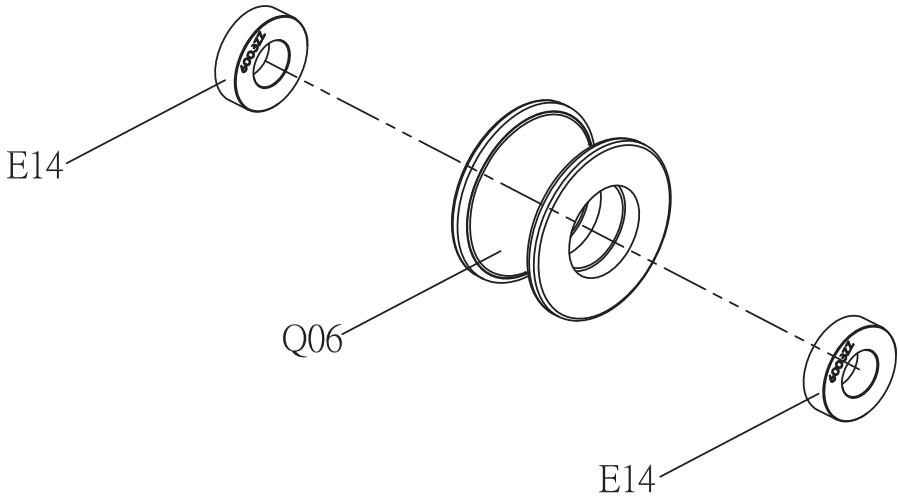
Part NO	Description
1000230601	R-Pedal Arm Set;S-EP558B;



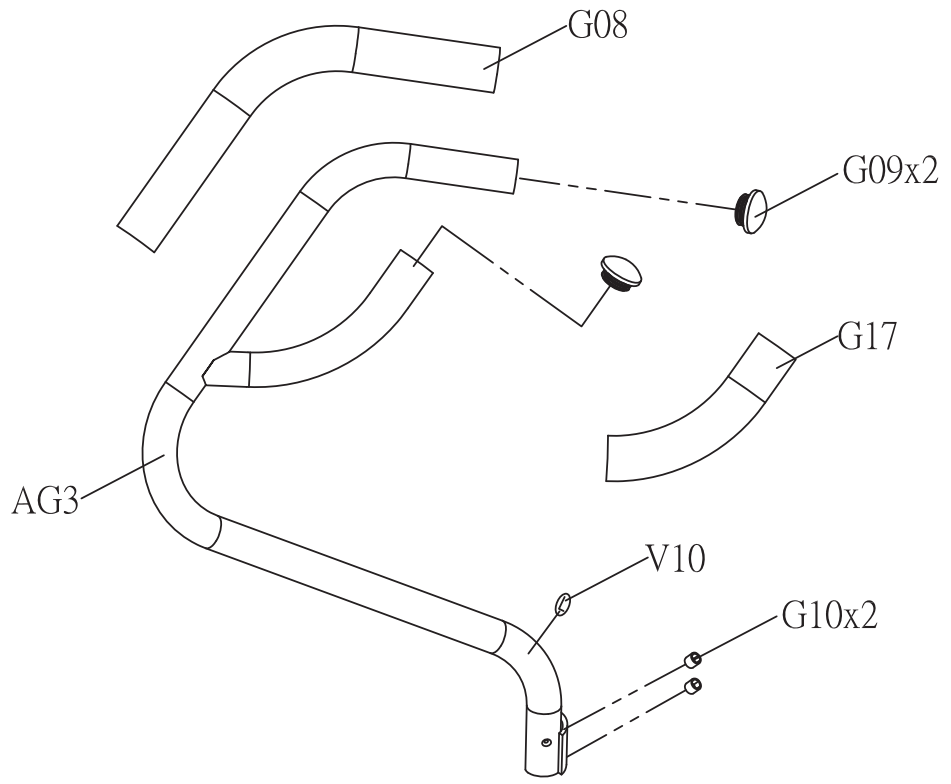
DRAWING NO	EP525-A19		
PART NAME	Crank Pin Set		
PART NO	1000111650	REV	B
APPROVE	xubowen	DATE	120114



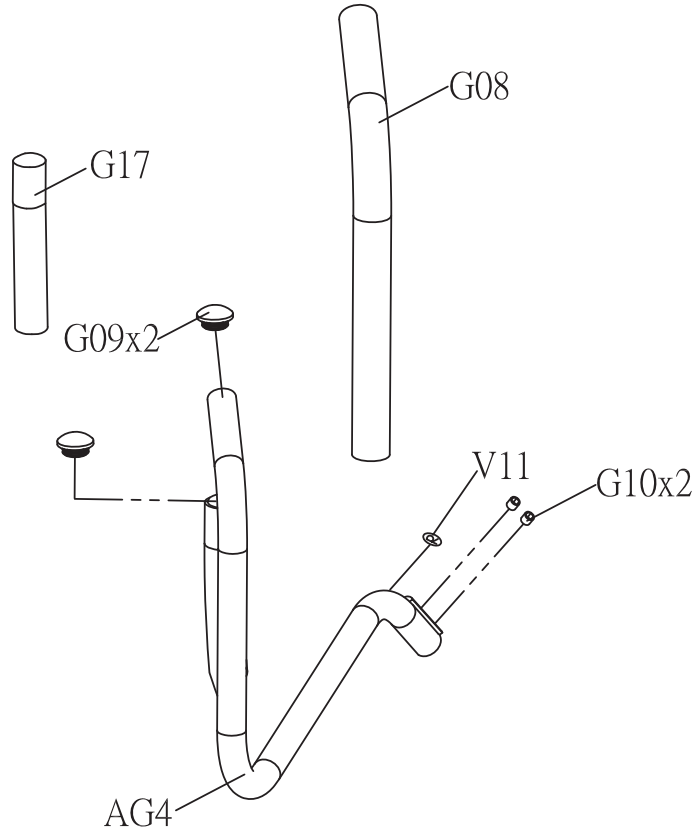
DRAWING NO	EP558-A26		
PART NAME	Roller Set		
PART NO	1000229962	REV	A
APPROVE	Dary	DATE	2012.06.08



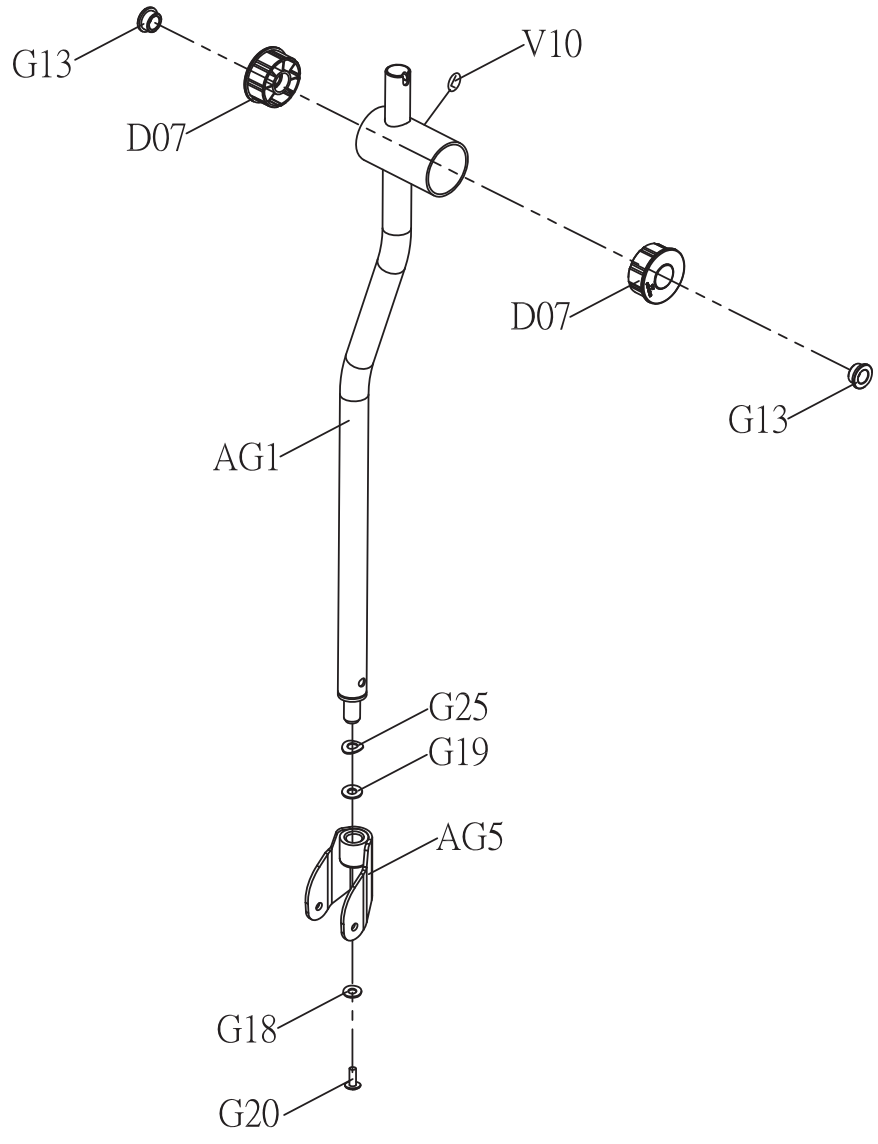
DRAWING NO	EP559-A17		
PART NAME	Arm Rest Set;L U;		
PART NO	1000230659	REV	A
APPROVE	Dary	DATE	2012.02.14



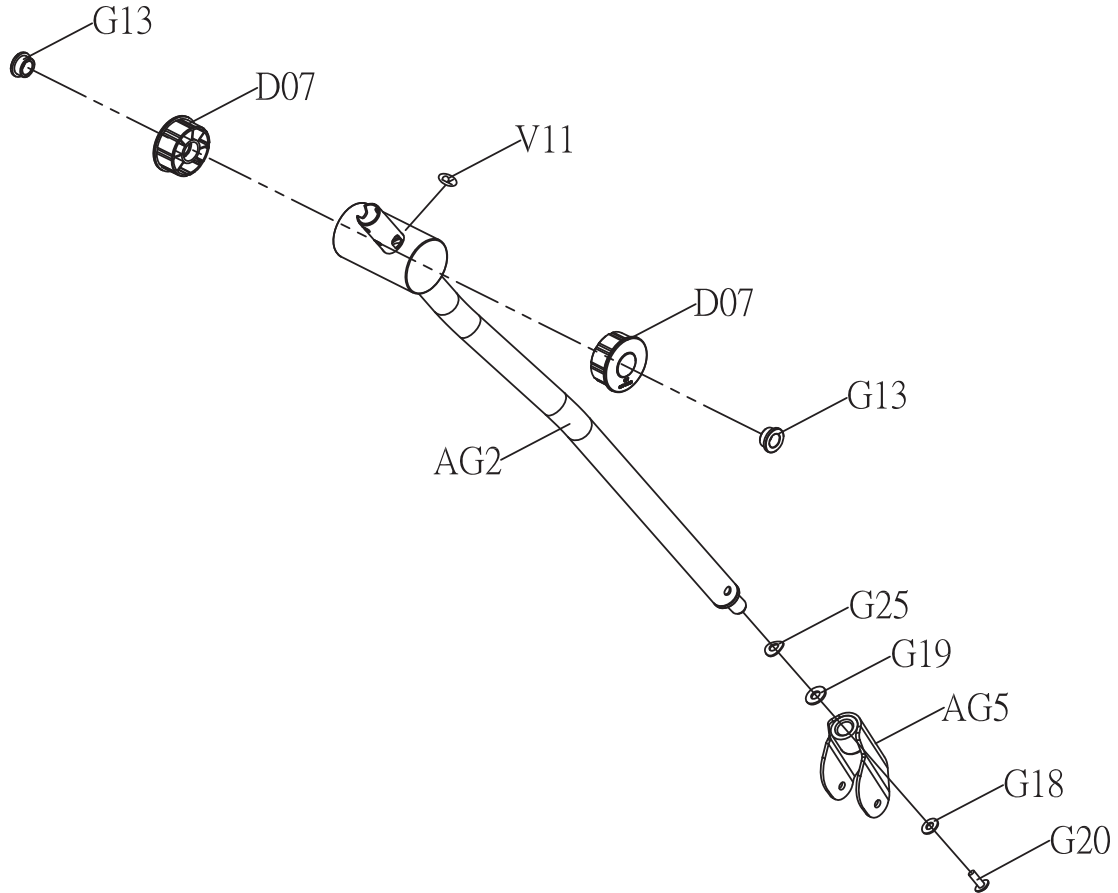
DRAWING NO	EP559-A18		
PART NAME	Arm Rest Set;R U;		
PART NO	1000230660	REV	A
APPROVE	Dary	DATE	2012.02.14



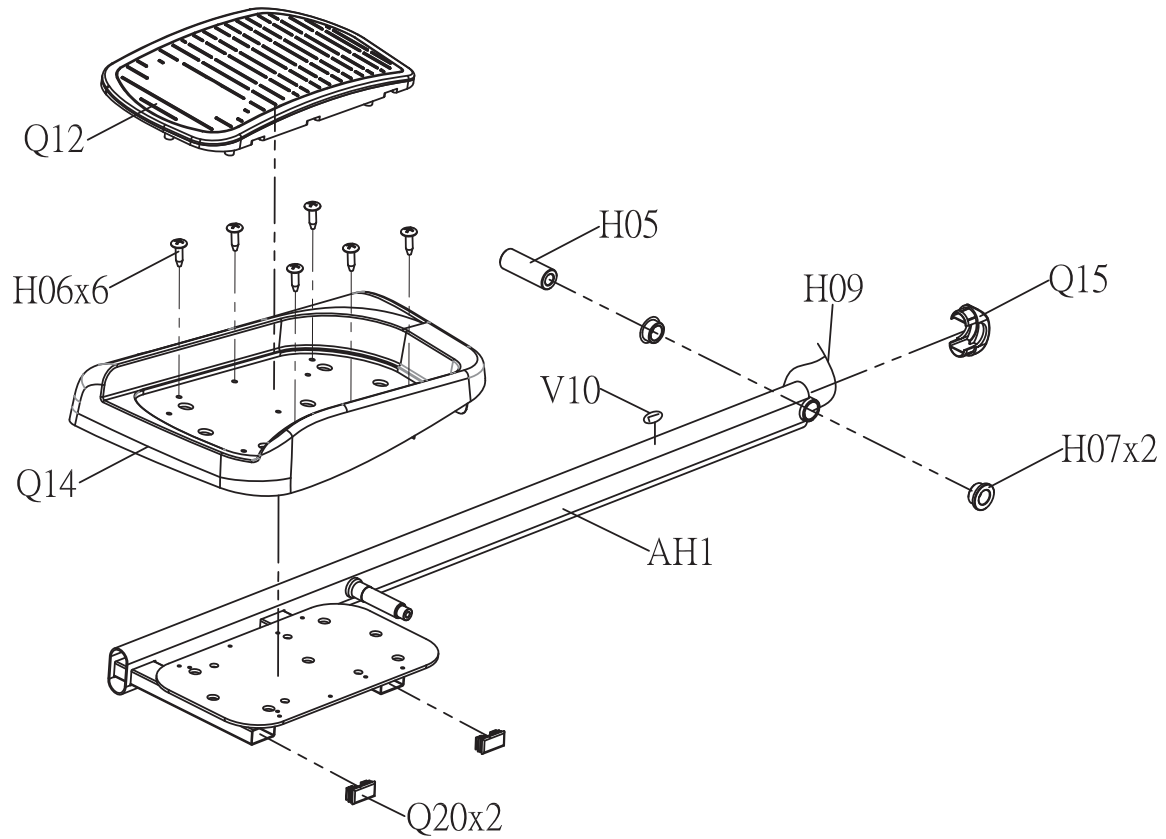
DRAWING NO	EP558-A19		
PART NAME	Arm Rest Set;L D;		
PART NO	1000229965	REV	A
APPROVE	Dary	DATE	2012.07.02



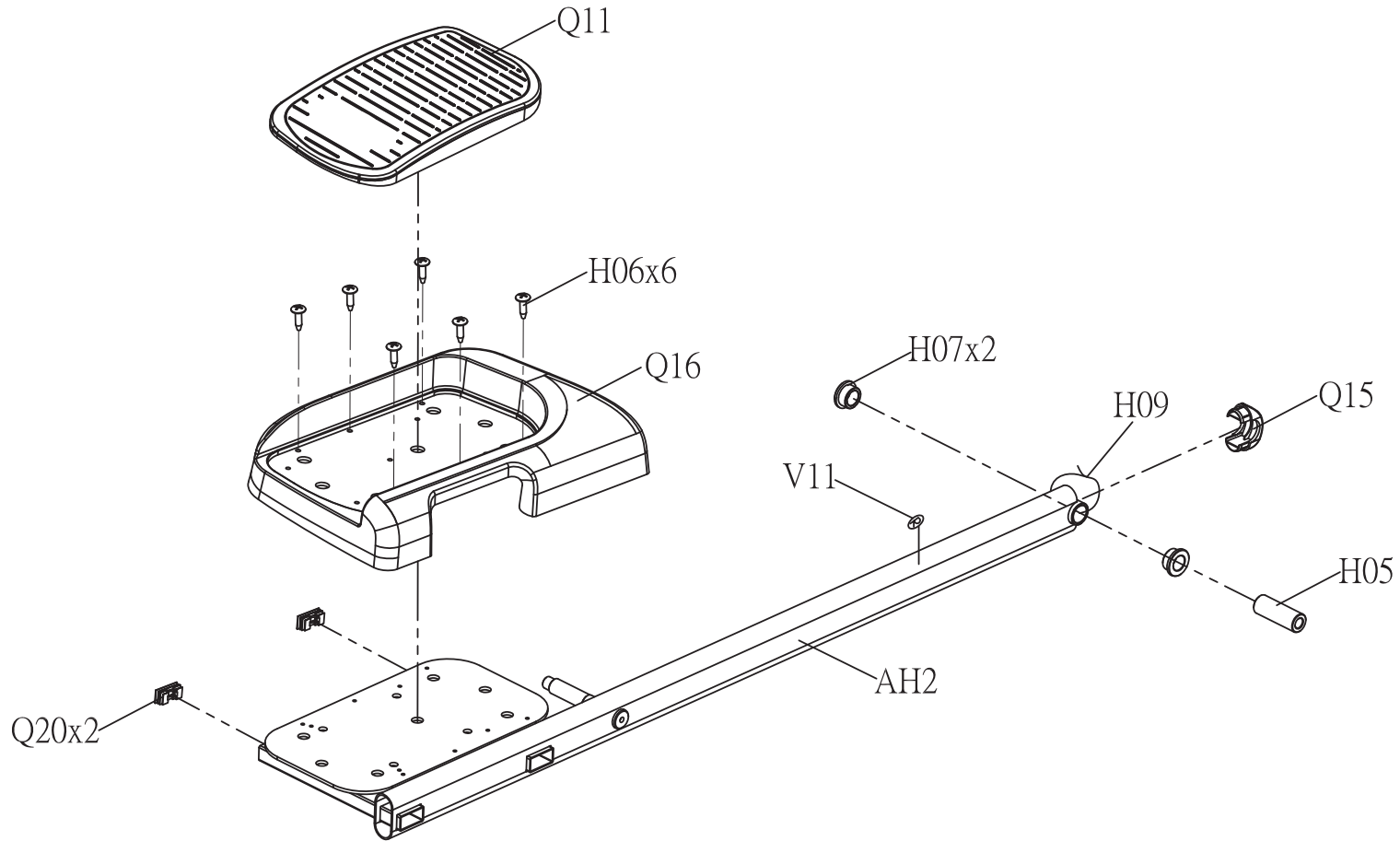
DRAWING NO	EP558-A20		
PART NAME	Arm Rest Set;R D;		
PART NO	1000229966	REV	A
APPROVE	Dary	DATE	2012.07.02



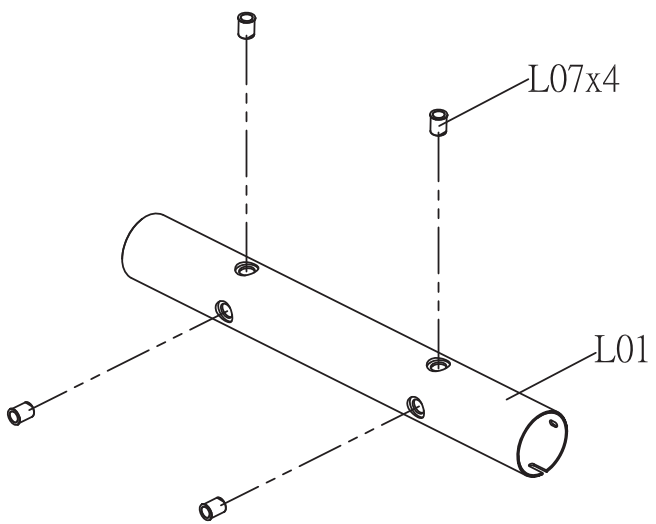
DRAWING NO	EP559-A21		
PART NAME	L-Link Arm Set		
PART NO	1000230661	REV	A
APPROVE	Dary	DATE	2012.02.14



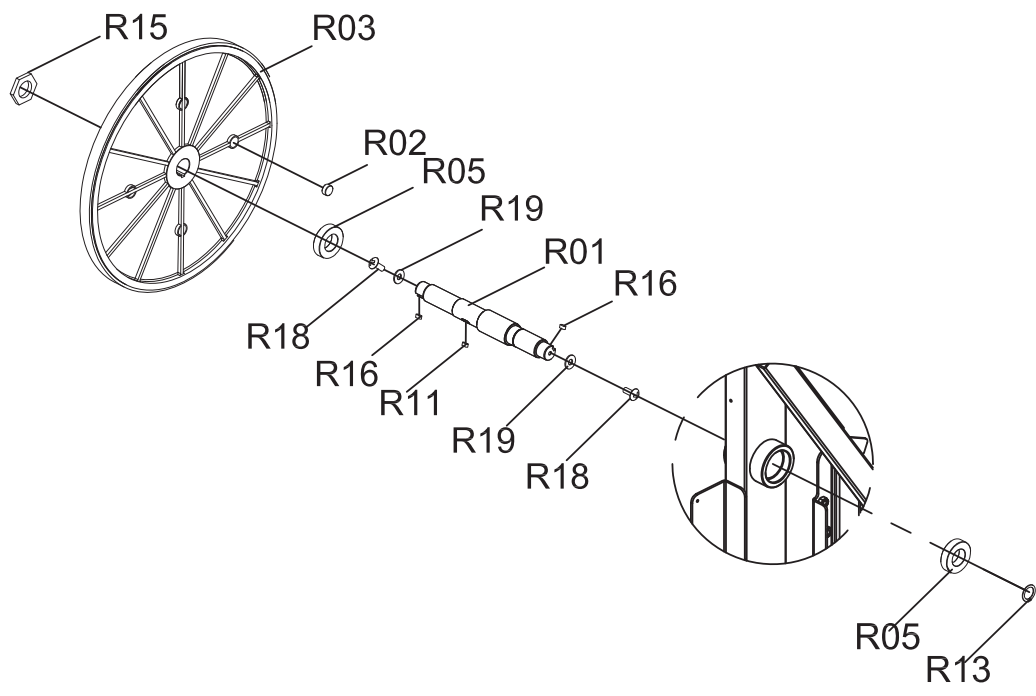
DRAWING NO	EP559-A22		
PART NAME	R-Link Arm Set		
PART NO	1000230662	REV	A
APPROVE	Dary	DATE	2012.02.14



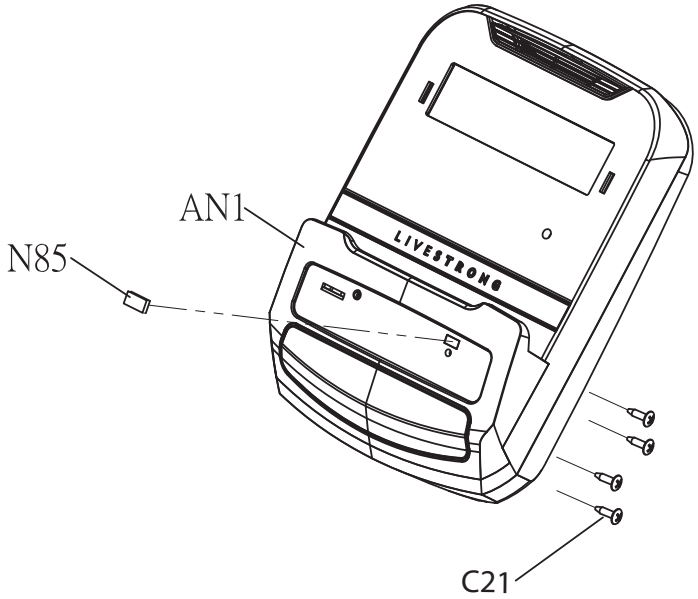
DRAWING NO	EP558-A23		
PART NAME	Stabilizer Set		
PART NO	1000229969	REV	A
APPROVE	Dary	DATE	2012.02.14



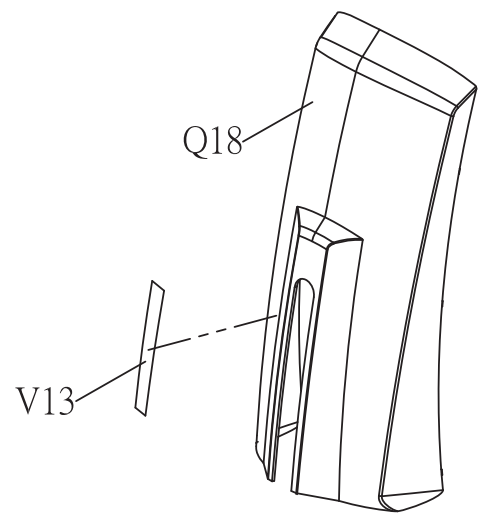
DRAWING NO	EP543-A31		
PART NAME	Driver Axle Set		
PART NO	1000205360	B	
APPROVE		DATE	2012.03.26



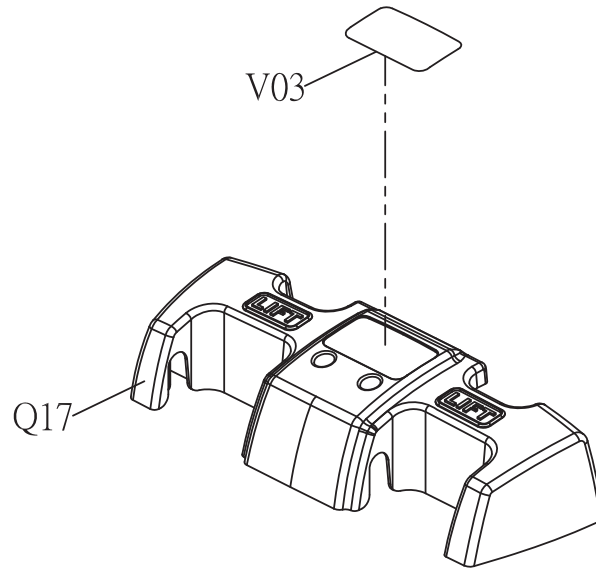
DRAWING NO	EP558-A25		
PART NAME	Console Set		
PART NO	1000229974	REV	A
APPROVE	Dary	DATE	2012.02.14



DRAWING NO	EP558-A27		
PART NAME	COVER SET;SA;M;STABILIZED TU		
PART NO	1000229970	REV	A
APPROVE	Dary	DATE	2012.02.14



DRAWING NO	EP559-A28		
PART NAME	Cover Set;Rear tube;		
PART NO	1000230663	REV	A
APPROVE	Dary	DATE	2012.07.02



DRAWING NO	EP558-A29		
PART NAME	COVER SET;SA;B;FRAME		
PART NO	1000229972	REV	A
APPROVE	Dary	DATE	2012.02.14

