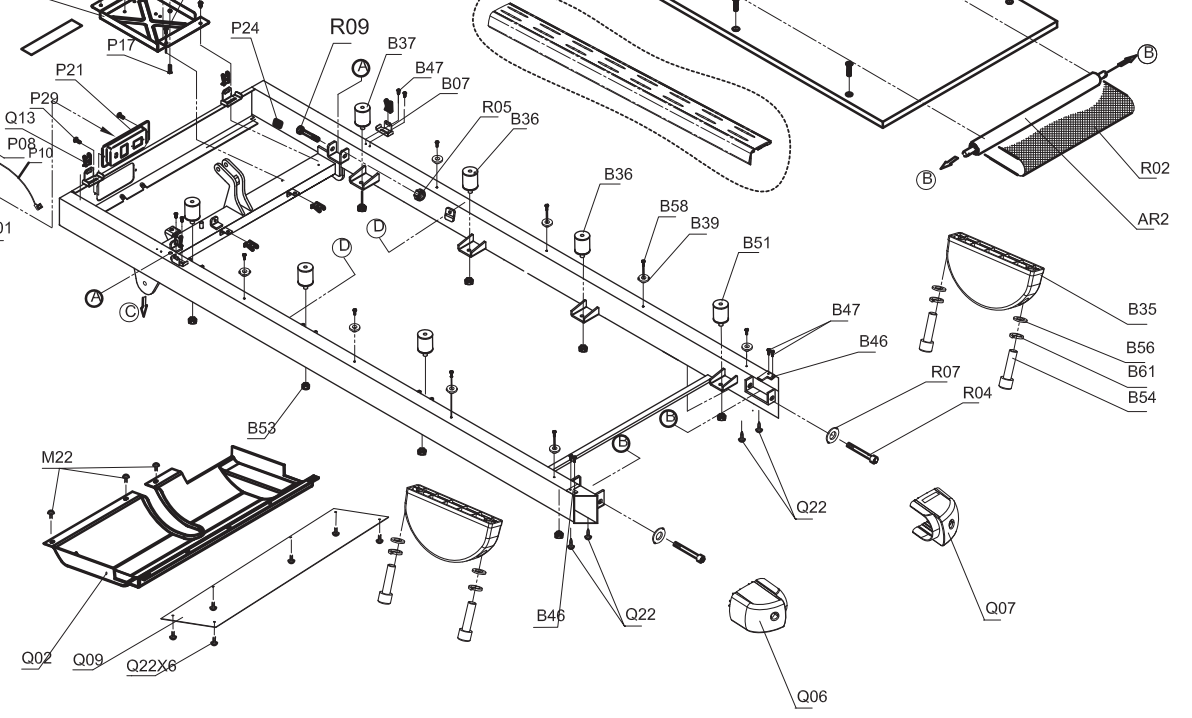
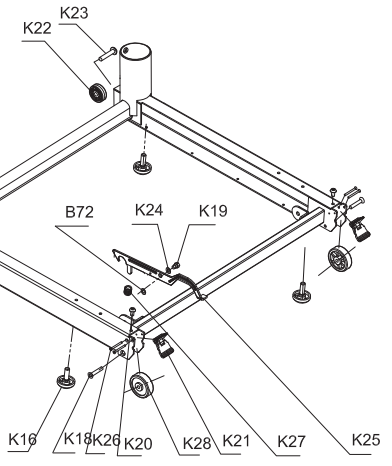
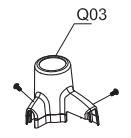
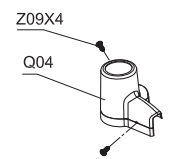
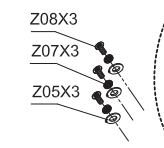
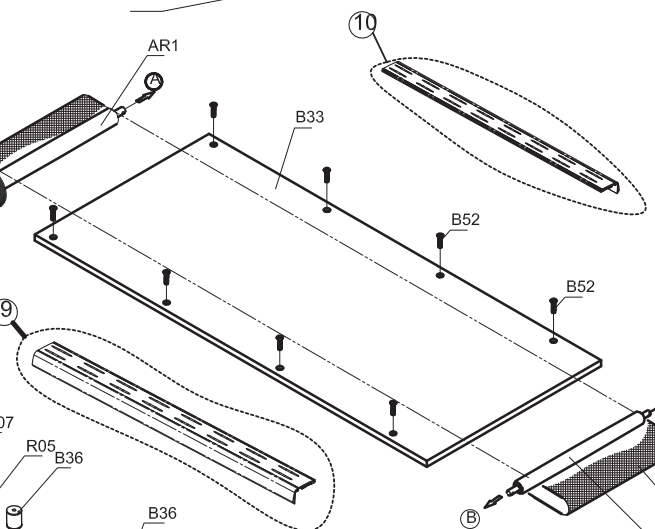
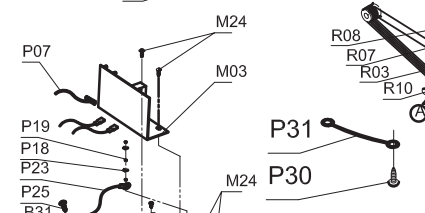
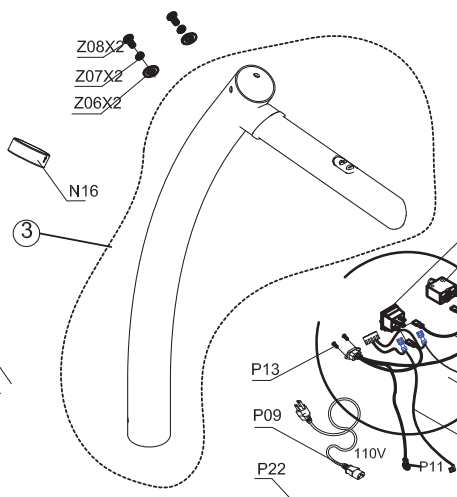
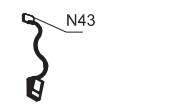
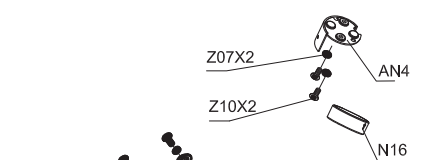
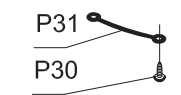
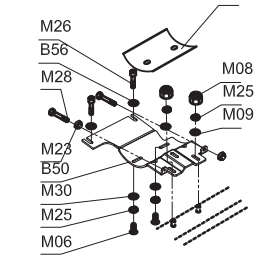
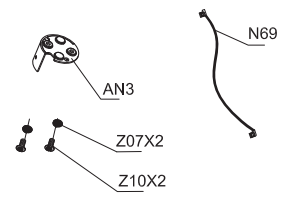
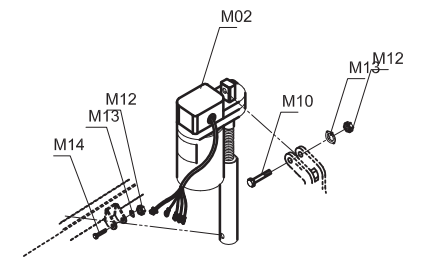
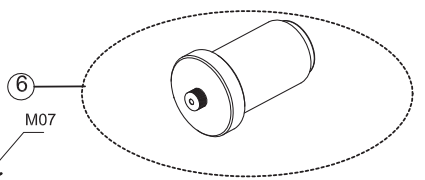
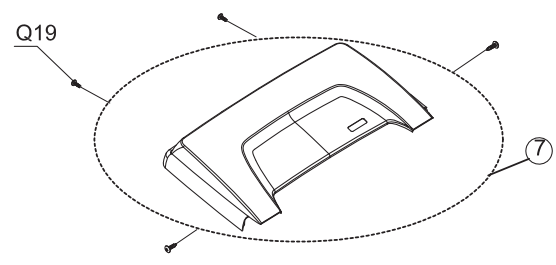
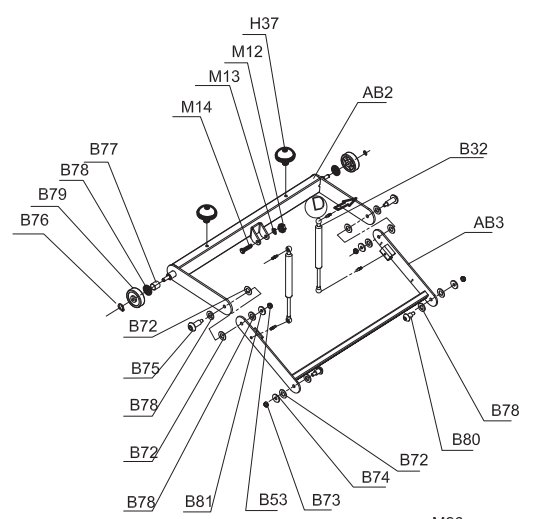
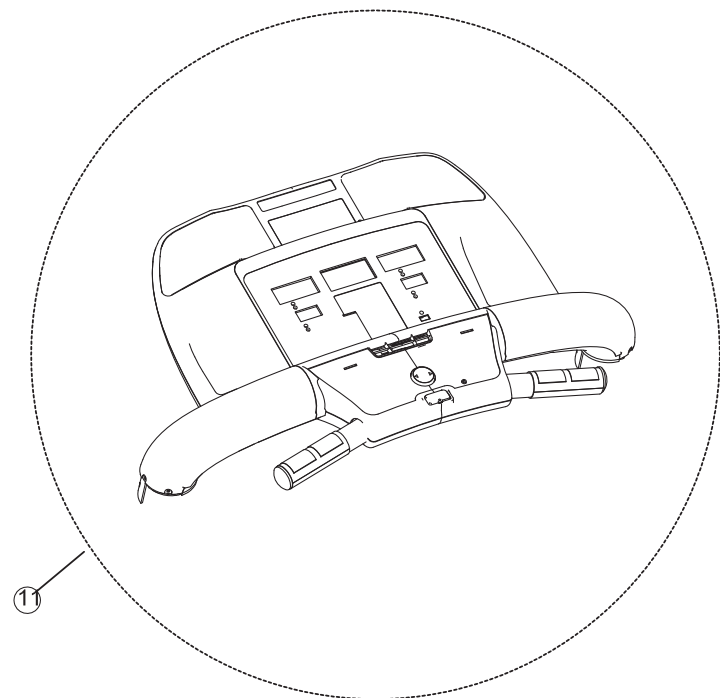
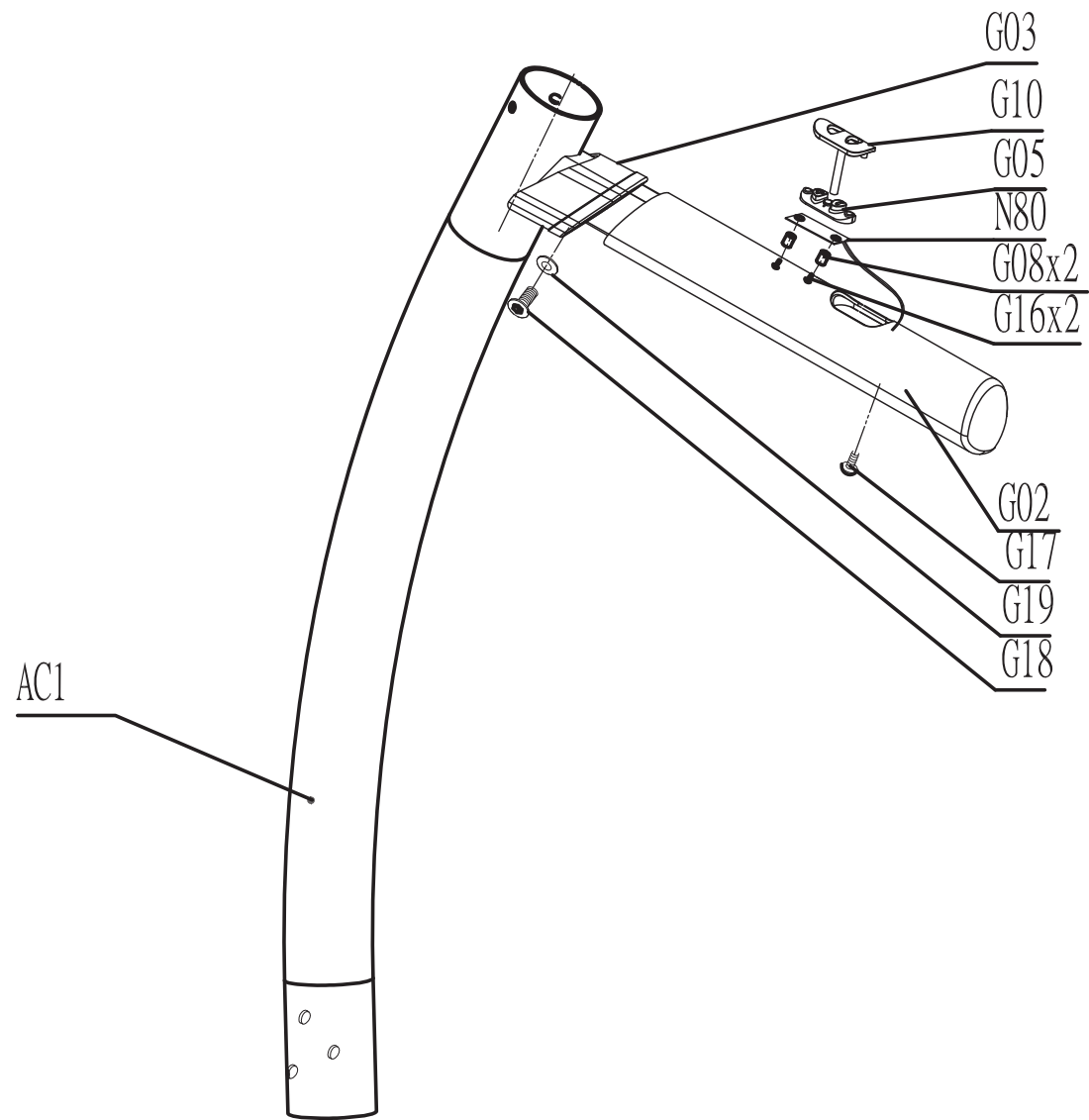


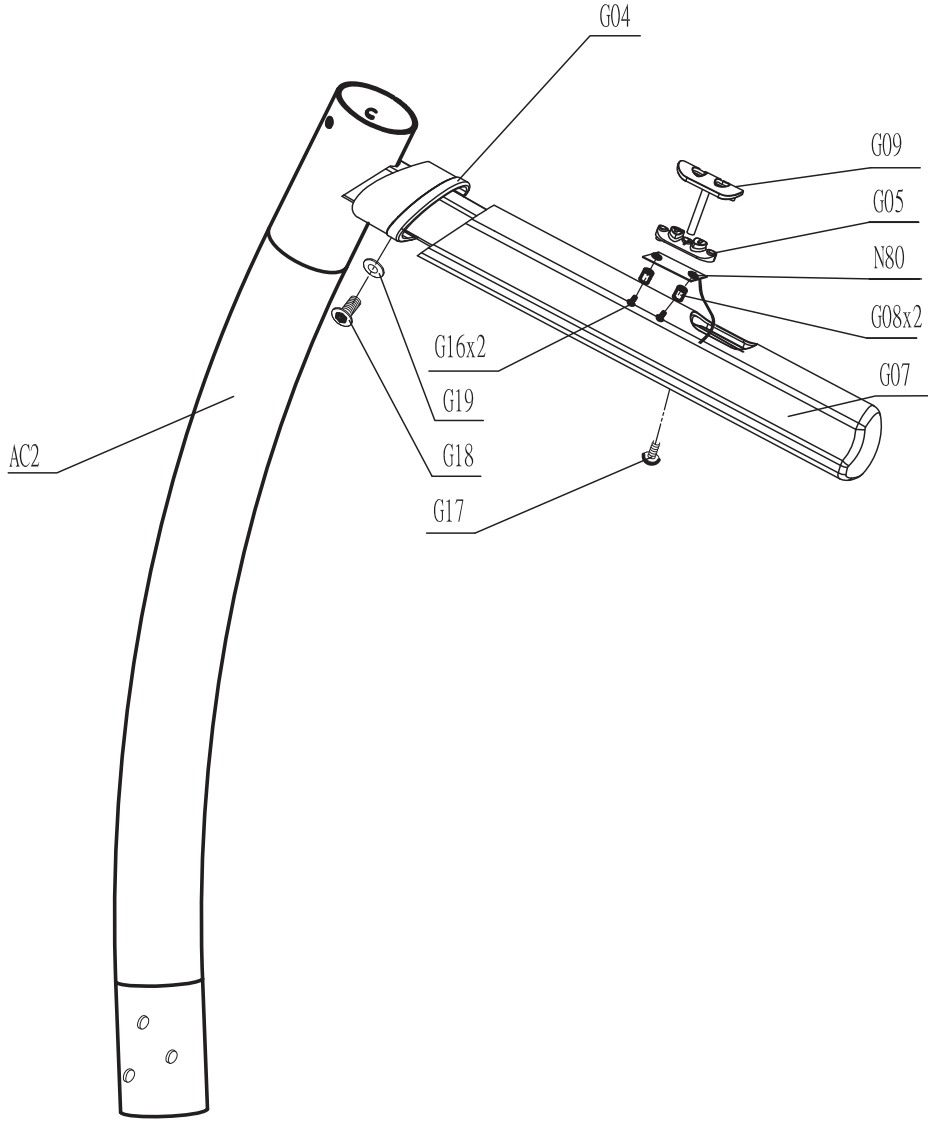
DRAWING NO	TM406-1US		
PART NAME	Explosive Rendering		
PART NO	HTM0788-00	REV	B
APPROVE		DATE	110528



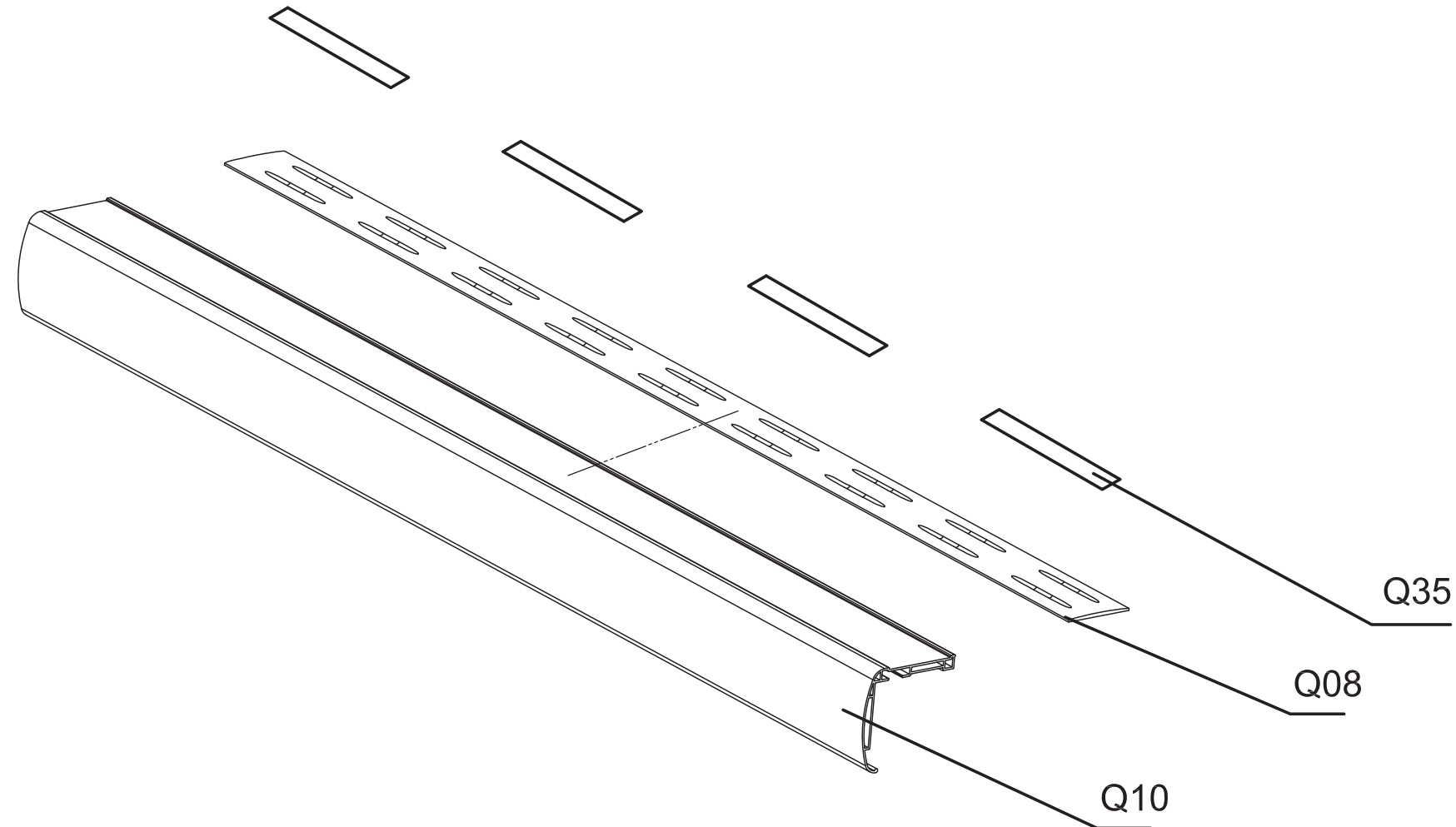
DRAWING NO	TM380-A11		
PART NAME	Console mast set;L		
PART NO	1000112585	REV	A
APPROVE		DATE	2010.12.7



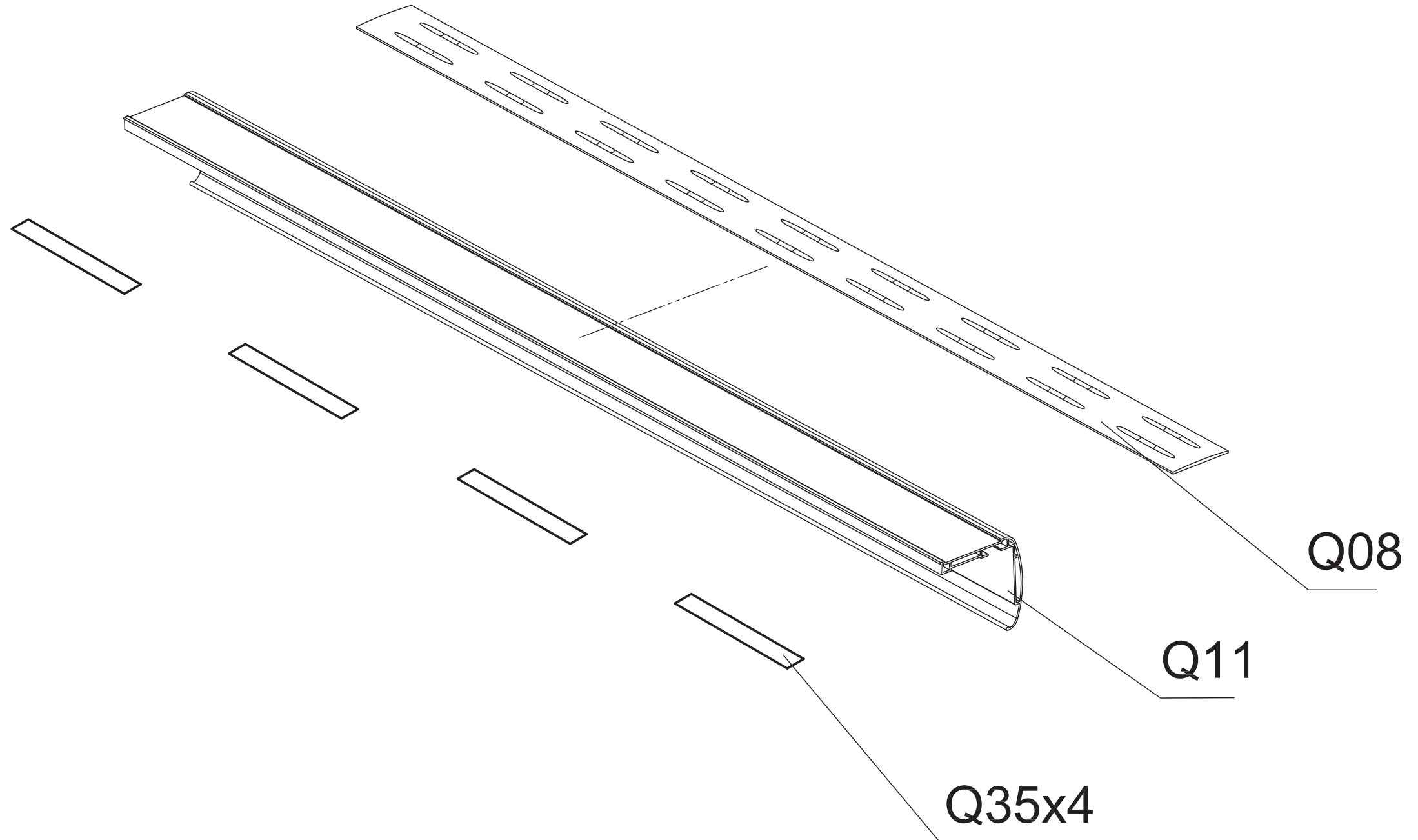
DRAWING NO	TM380-A12		
PART NAME	Console mast set;R		
PART NO	1000112586	REV	A
APPROVE		DATE	2010.12.7



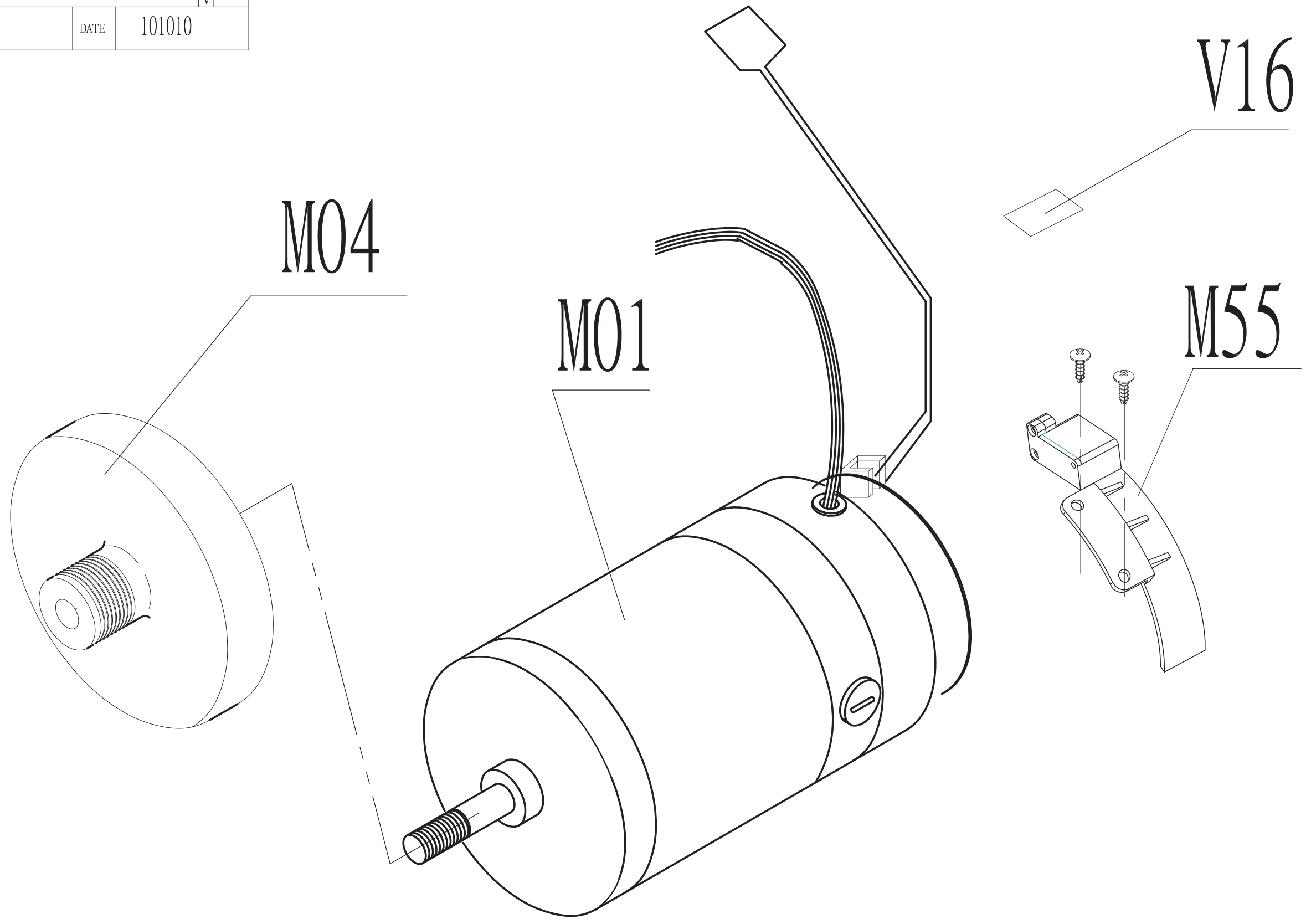
DRAWING NO	TM380-A19		
PART NAME	Side Rail Set;L;		
PART NO	1000112593	REV	A
APPROVE	DATE	2010.12.13	



DRAWING NO	TM380-A20		
PART NAME	Side Rail Set;R		
PART NO	1000112594	REV	A
APPROVE		DATE	2010.12.13



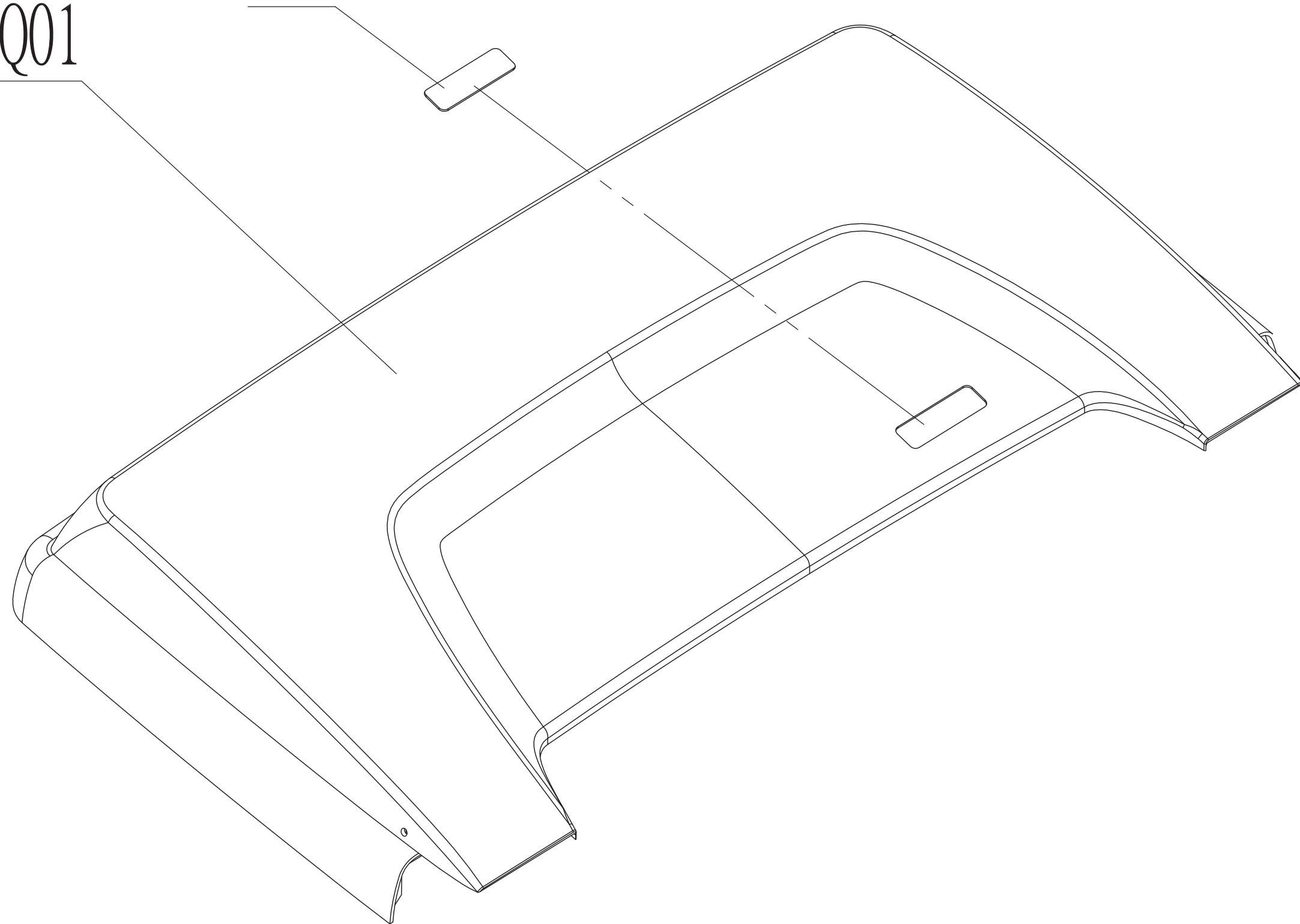
DRAWING NO	TM406-A19		
PART NAME	Motor set		
PART NO	1000205394	REV	A
APPROVE		DATE	101010



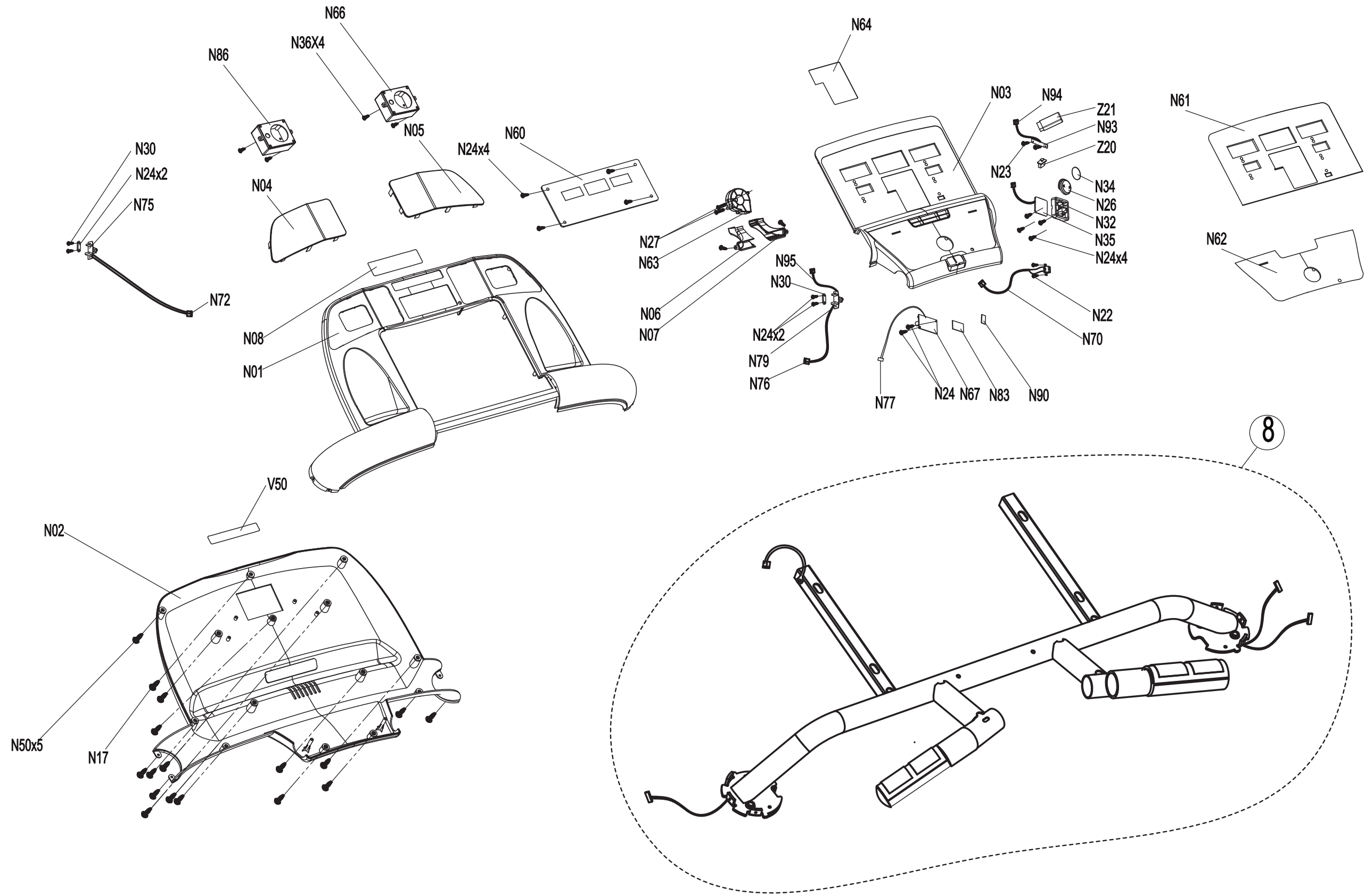
DRAWING NO	TM406-A11		
PART NAME	Motor upper cover set		
PART NO	1000205395	REV	A
APPROVE		DATE	101010

Q01

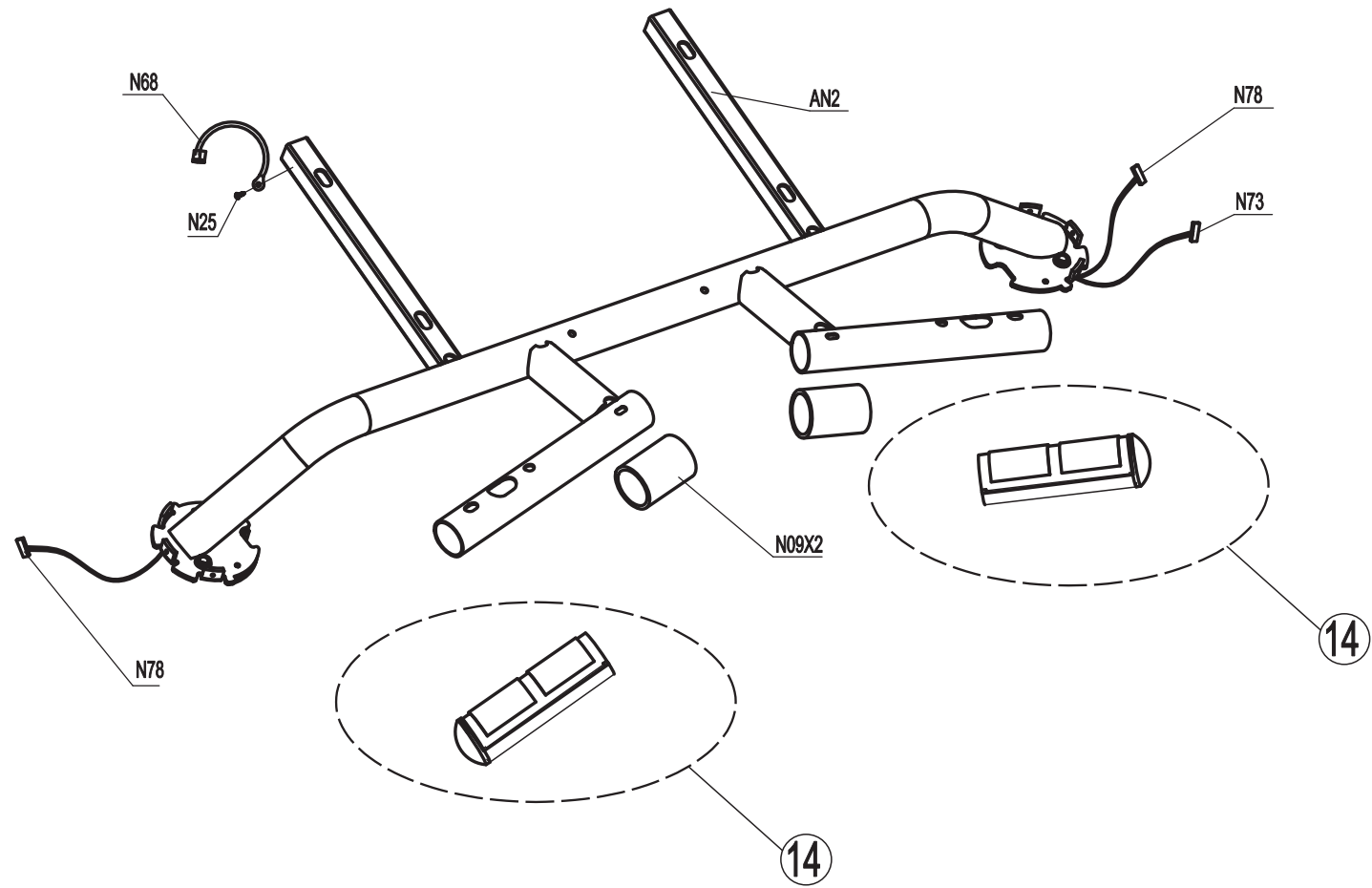
V51



DRAWING NO	TM406-A15		
PART NAME	Console set		
PART NO	1000205396	REV	A
APPROVE		DATE	122810



DRAWING NO	TM407-A25		
PART NAME	grip set		
PART NO	1000215834	REV	A
APPROVE		DATE	032011



DRAWING NO	TM407-A26		
PART NAME	grip sensor set		
PART NO	1000215835	REV	A
APPROVE		DATE	032011

