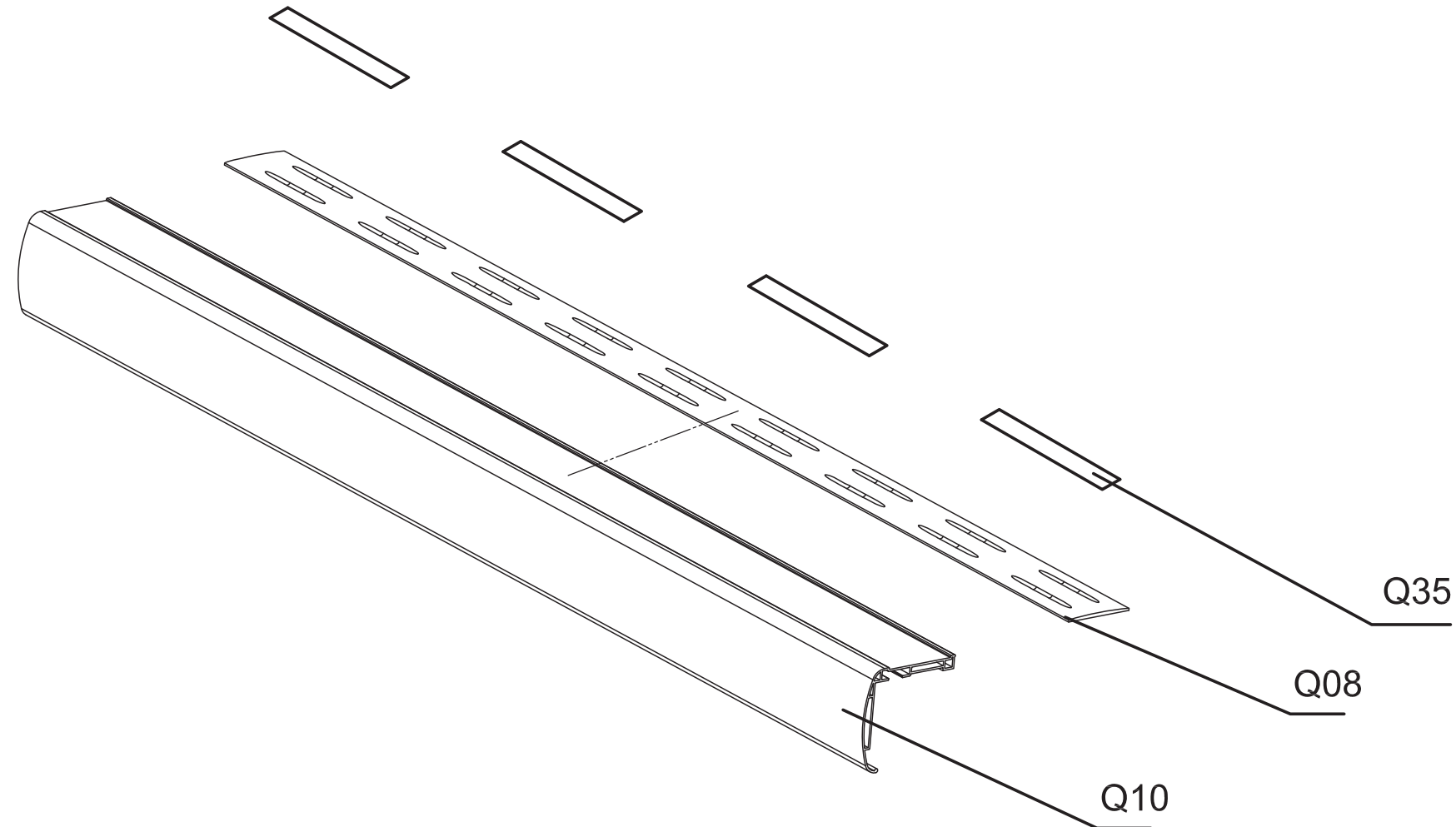
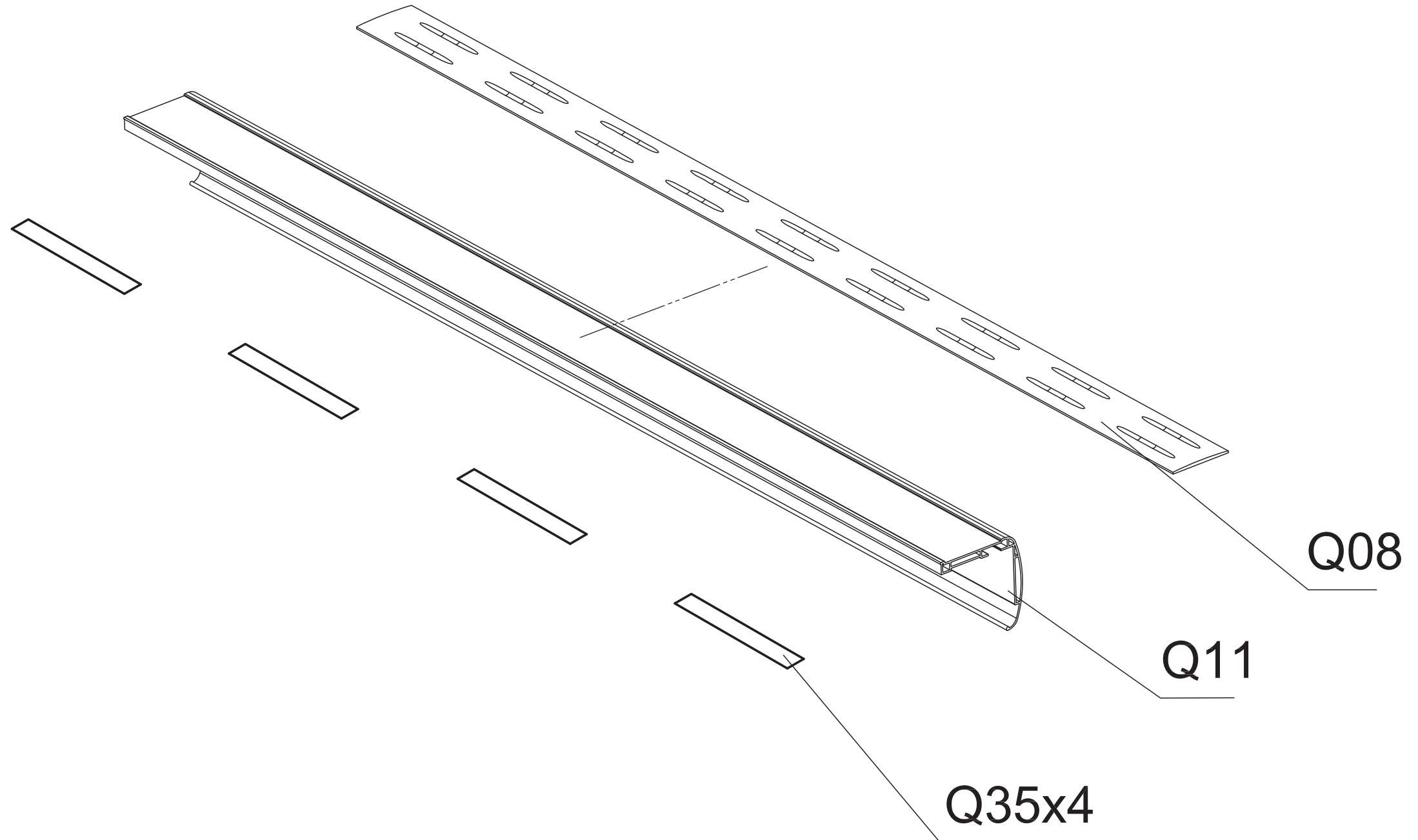




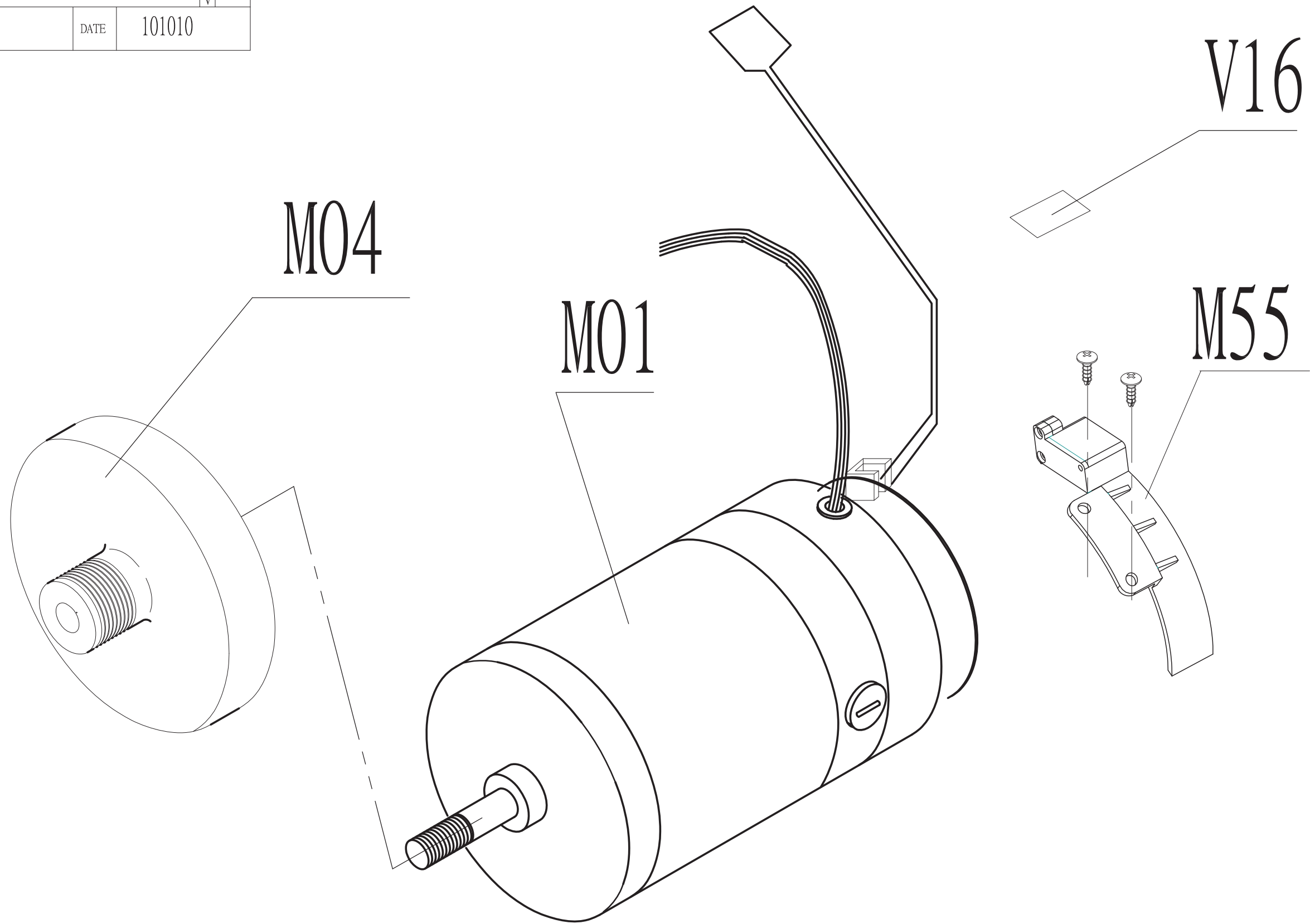
DRAWING NO	TM380-A19		
PART NAME	Side Rail Set;L;		
PART NO	1000112593	REV	A
APPROVE	DATE	2010.12.13	



DRAWING NO	TM380-A20		
PART NAME	Side Rail Set;R		
PART NO	1000112594	REV	A
APPROVE		DATE	2010.12.13



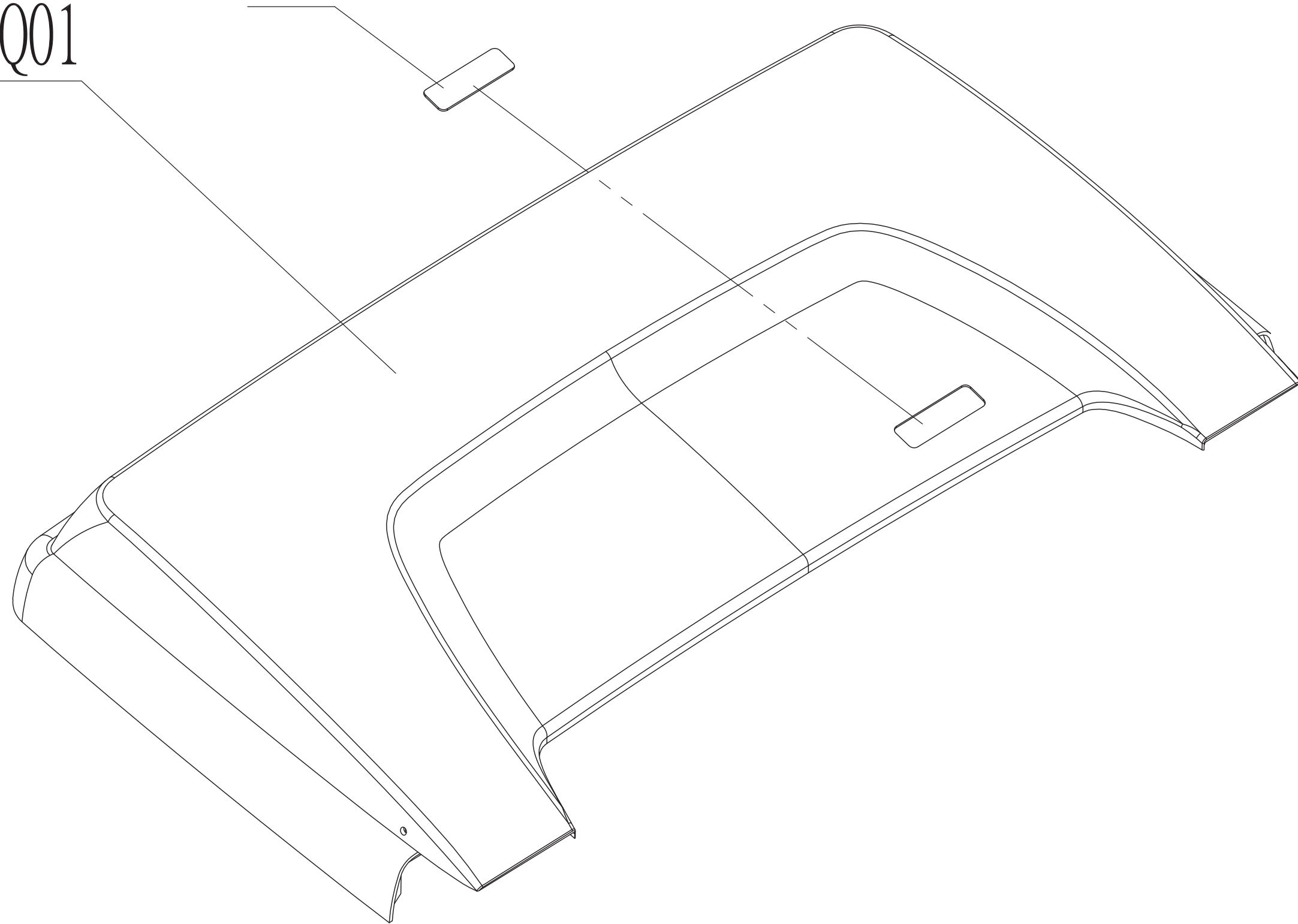
DRAWING NO	TM406-A19		
PART NAME	Motor set		
PART NO	1000205394	REV	A
APPROVE		DATE	101010



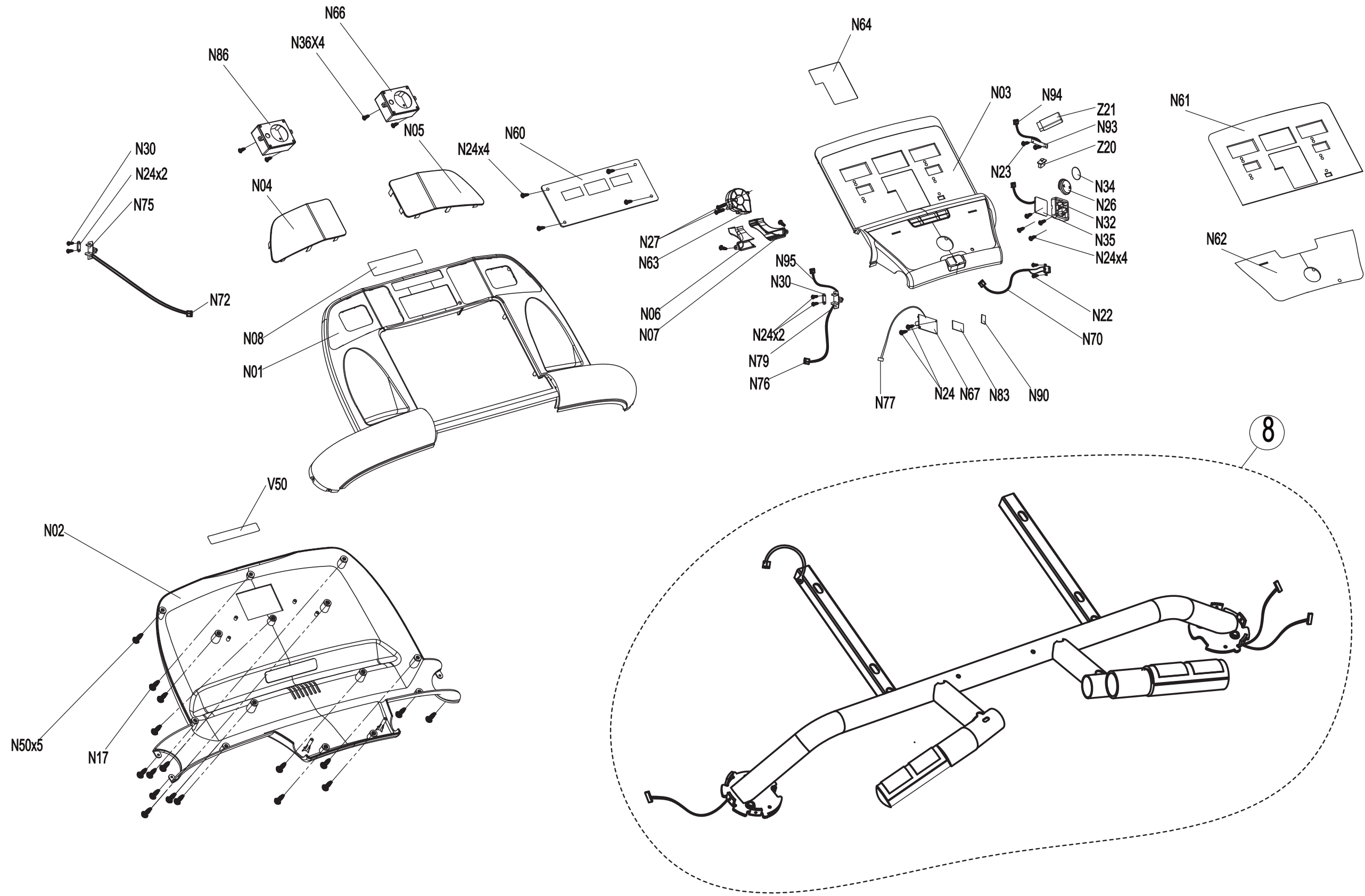
DRAWING NO	TM406-A11		
PART NAME	Motor upper cover set		
PART NO	1000205395	REV	A
APPROVE		DATE	101010

Q01

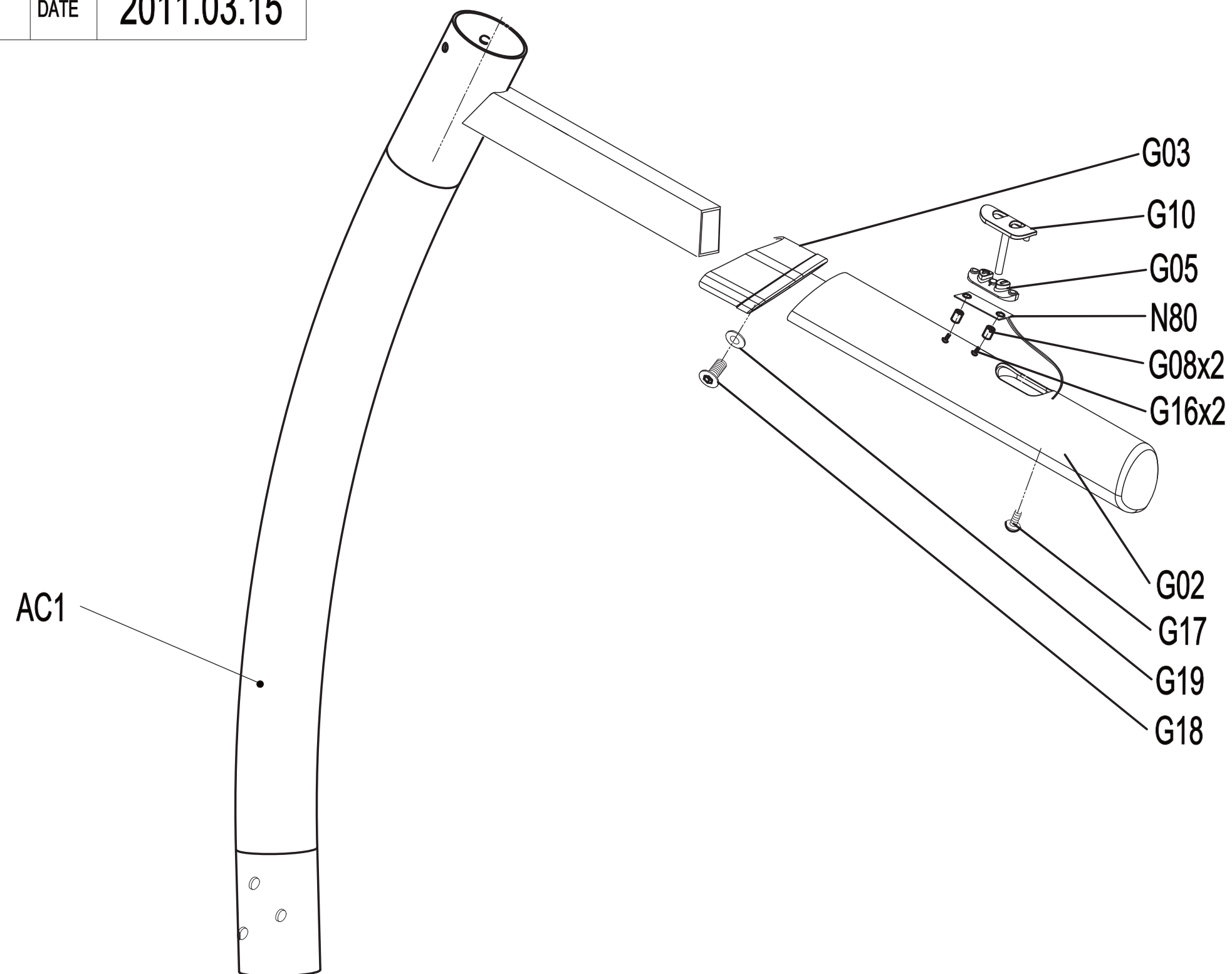
V51



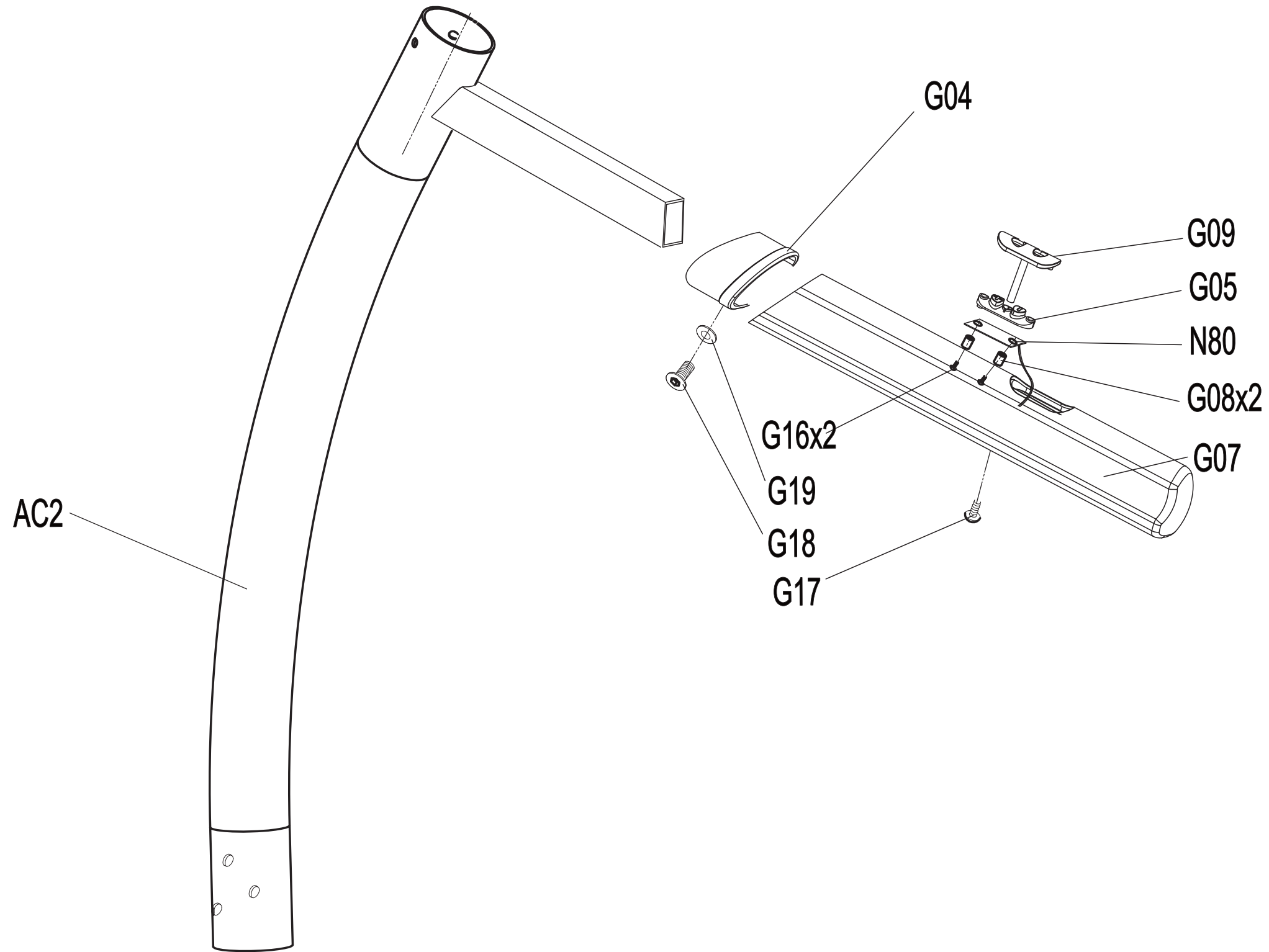
DRAWING NO	TM406-A15		
PART NAME	Console set		
PART NO	1000205396	REV	A
APPROVE		DATE	122810



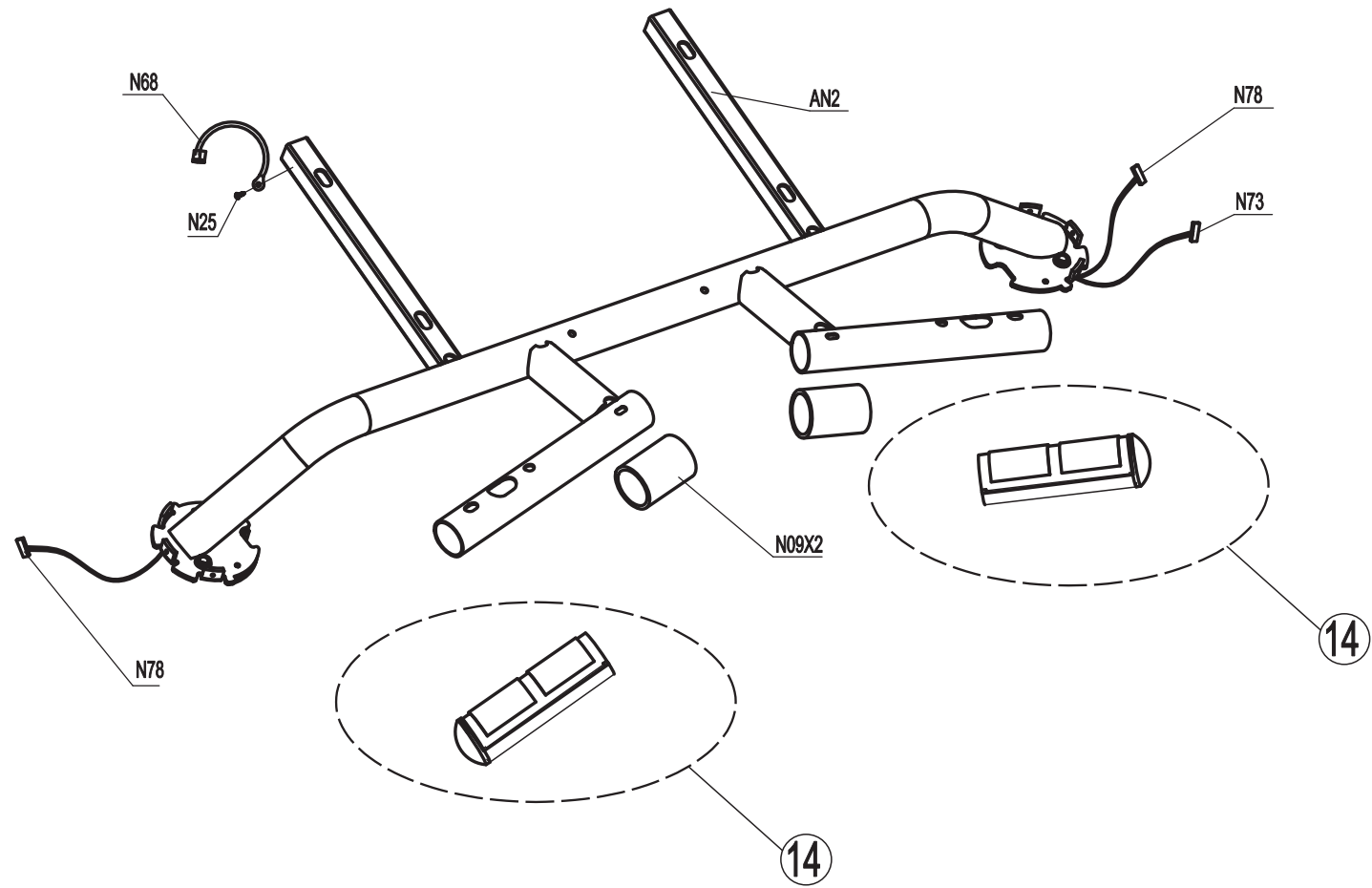
DRAWING NO	TM406B-A11		
PART NAME	Handlebar set;L		
PART NO	1000215680	REV	A
APPROVE		DATE	2011.03.15



DRAWING NO	TM406B-A12		
PART NAME	Handlebar set;R		
PART NO	1000215681	REV	A
APPROVE		DATE	2011.03.15



DRAWING NO	TM407-A25		
PART NAME	grip set		
PART NO	1000215834	REV	A
APPROVE		DATE	032011



DRAWING NO	TM407-A26		
PART NAME	grip sensor set		
PART NO	1000215835	REV	A
APPROVE		DATE	032011

