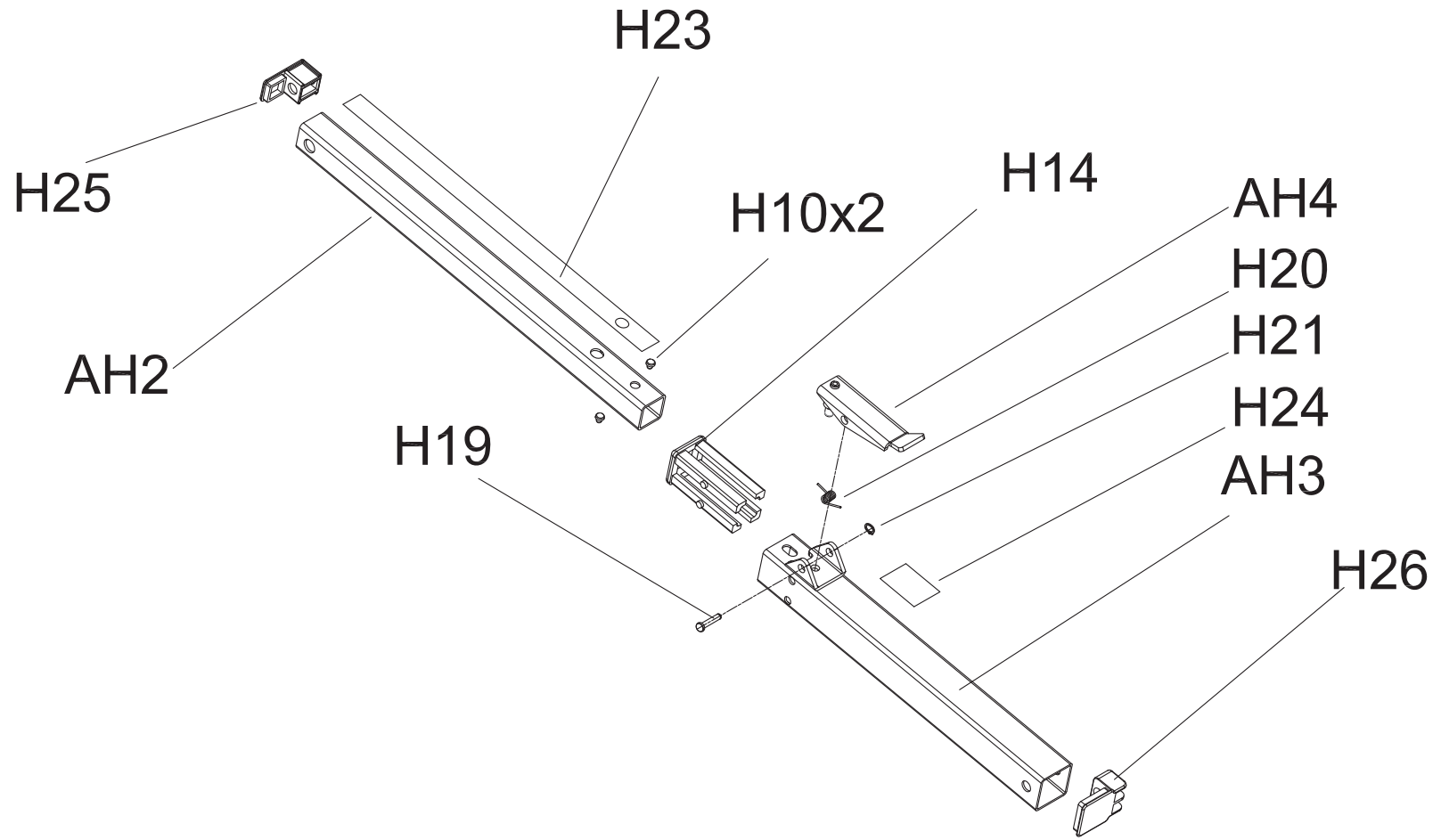
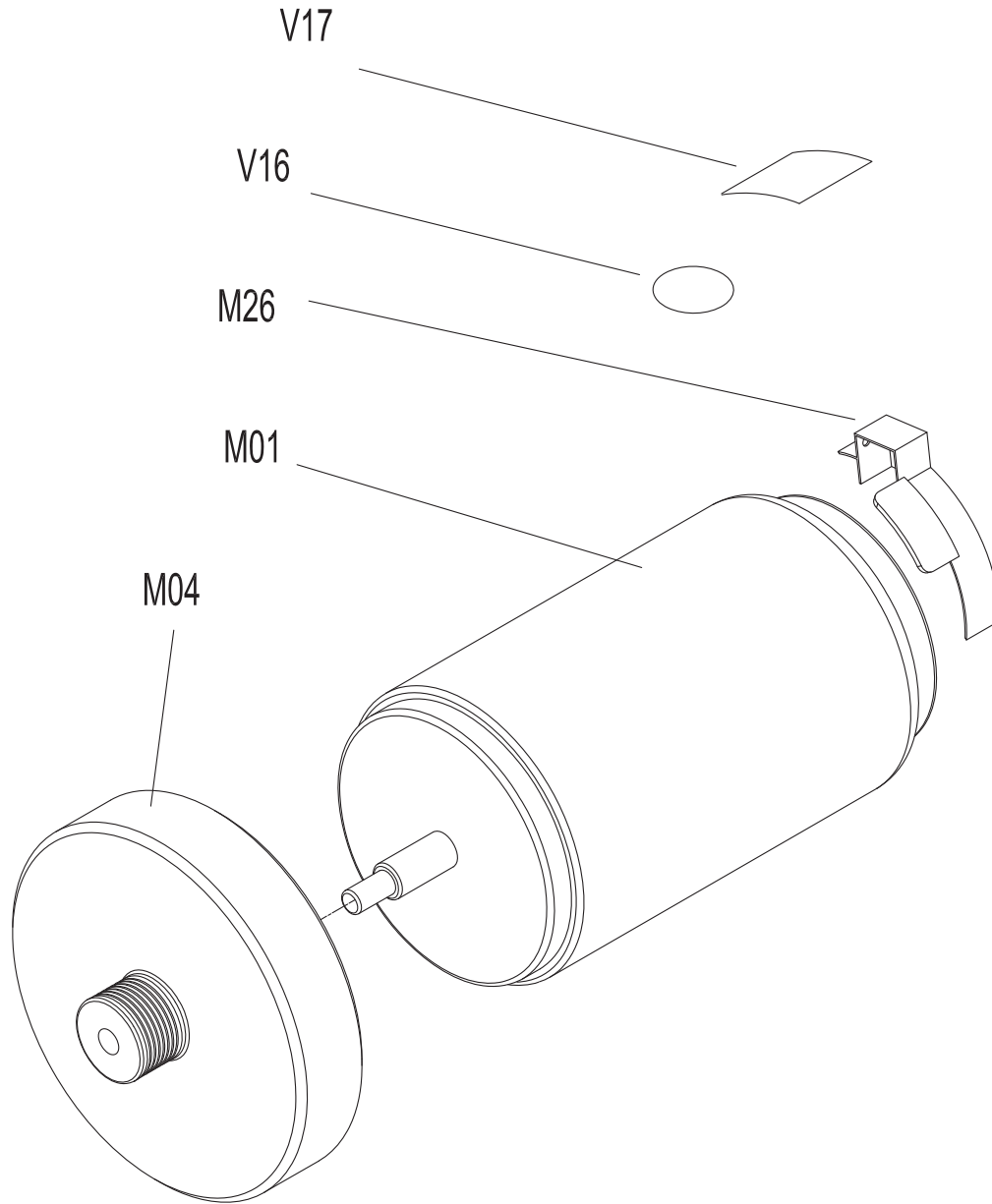


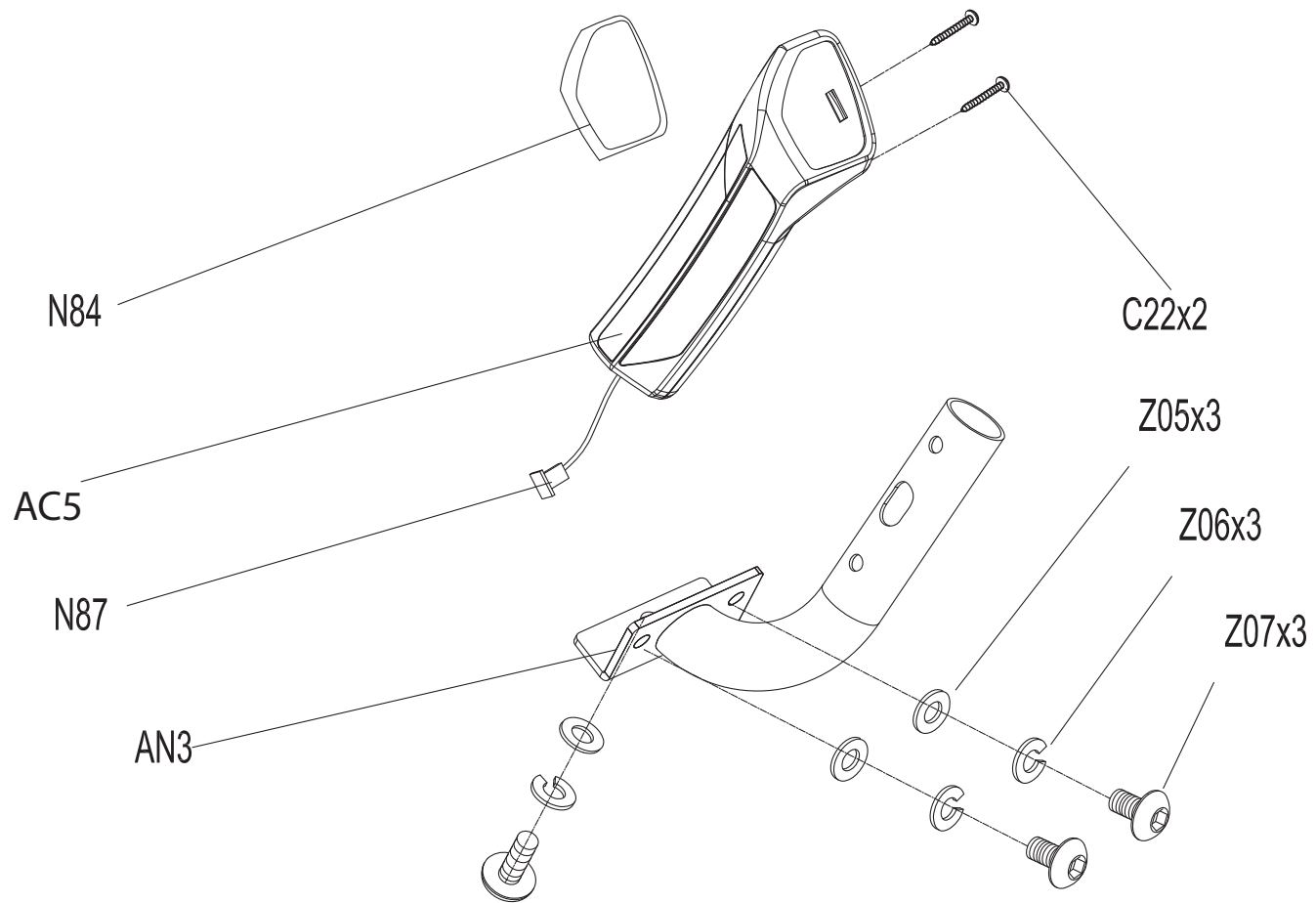
DRAWING NO	TM439-A11		
PART NAME	Lock Latch Set		
PART NO	1000231988	REV	A
APPROVE	DATE	120503	



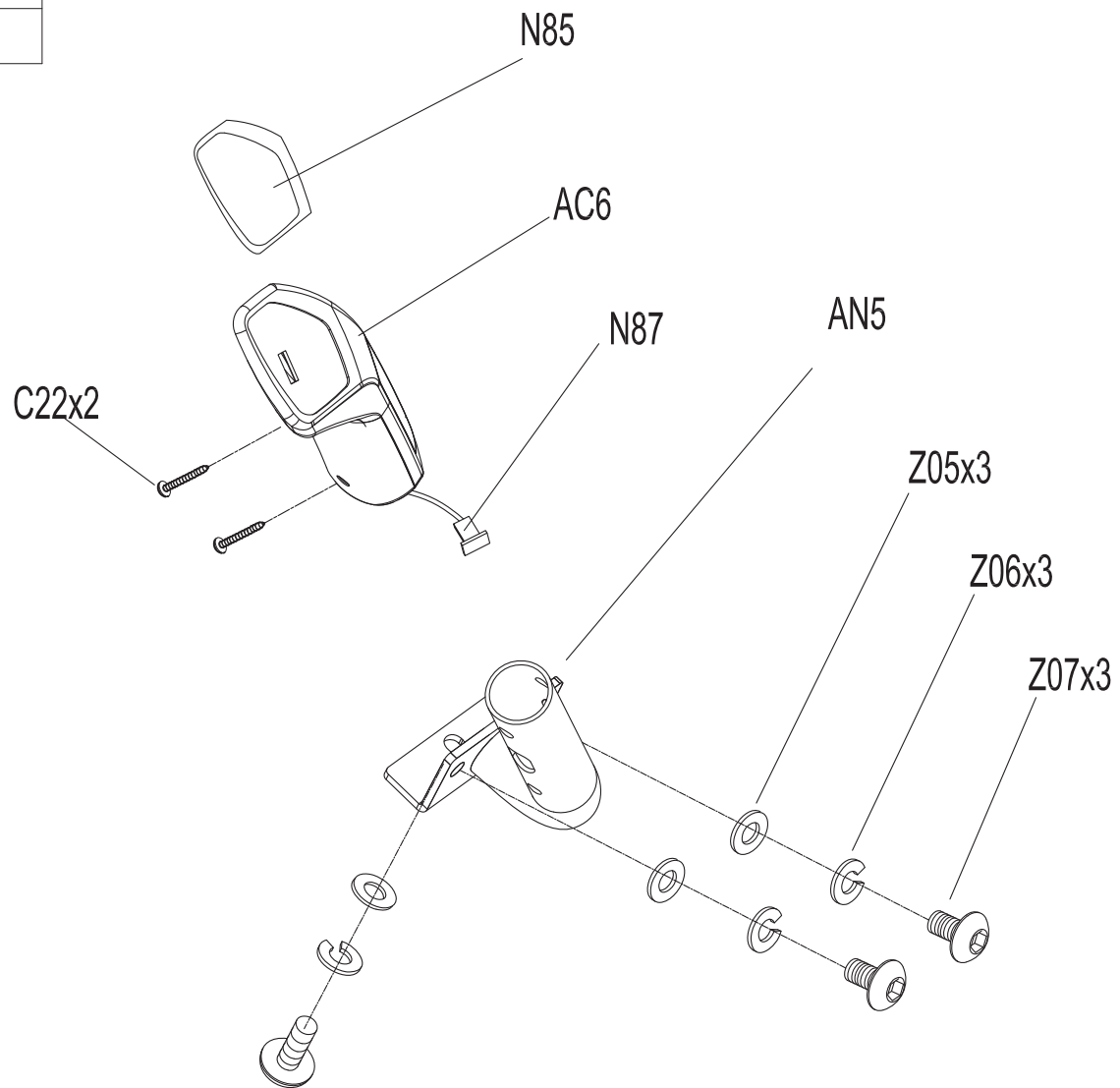
DRAWING NO	TM439-A13		
PART NAME	Motor Set		
PART NO	1000231994	REV	A
APPROVE		DATE	120503



DRAWING NO	TM439-A14		
PART NAME	Left Handlebar Set		
PART NO	1000231991	REV	A
APPROVE	DATE	120503	



DRAWING NO	TM439-A15		
PART NAME	Right Handlebar Set		
PART NO	1000231992	REV	A
APPROVE	DATE	120503	



DRAWING NO	TM438-A16		
PART NAME	Console Set		
PART NO	1000231990	REV	A
APPROVE	DATE	120503	

