

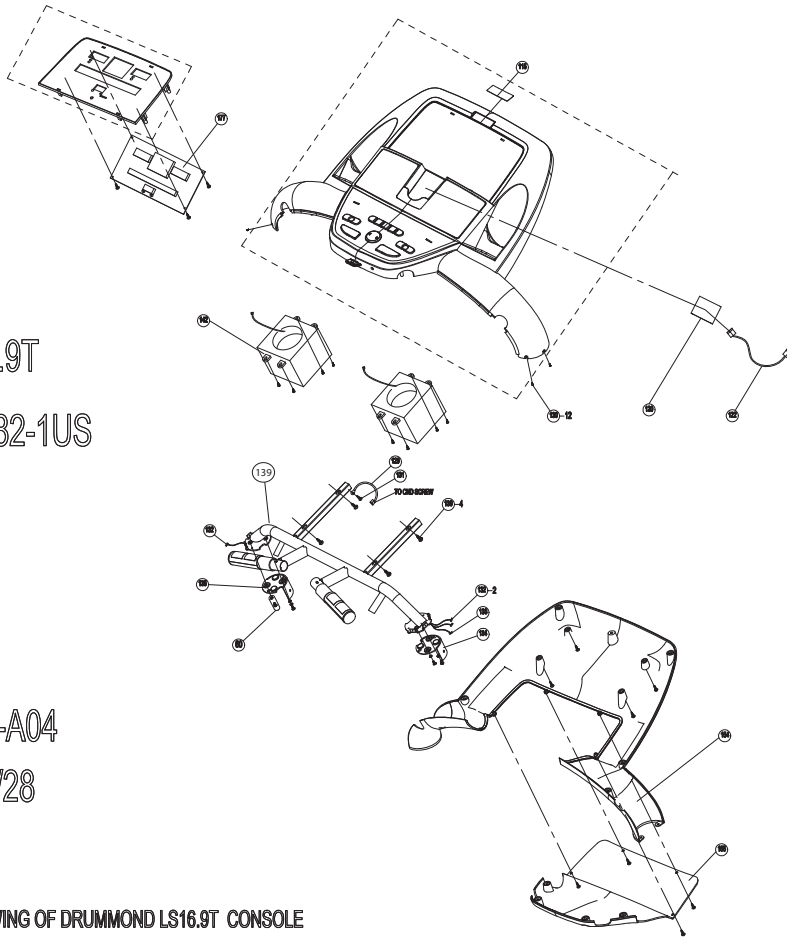
LS16.9T

PTM382-1US

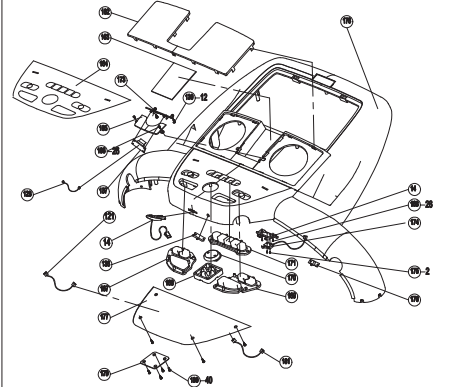
TM382-A04

2009/9/28

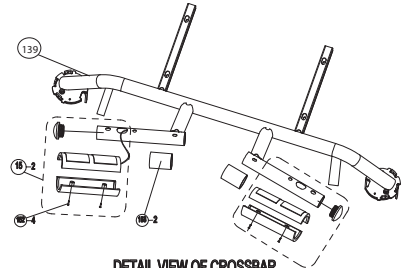
SERVICE DRAWING OF DRUMMOND LS16.9T CONSOLE



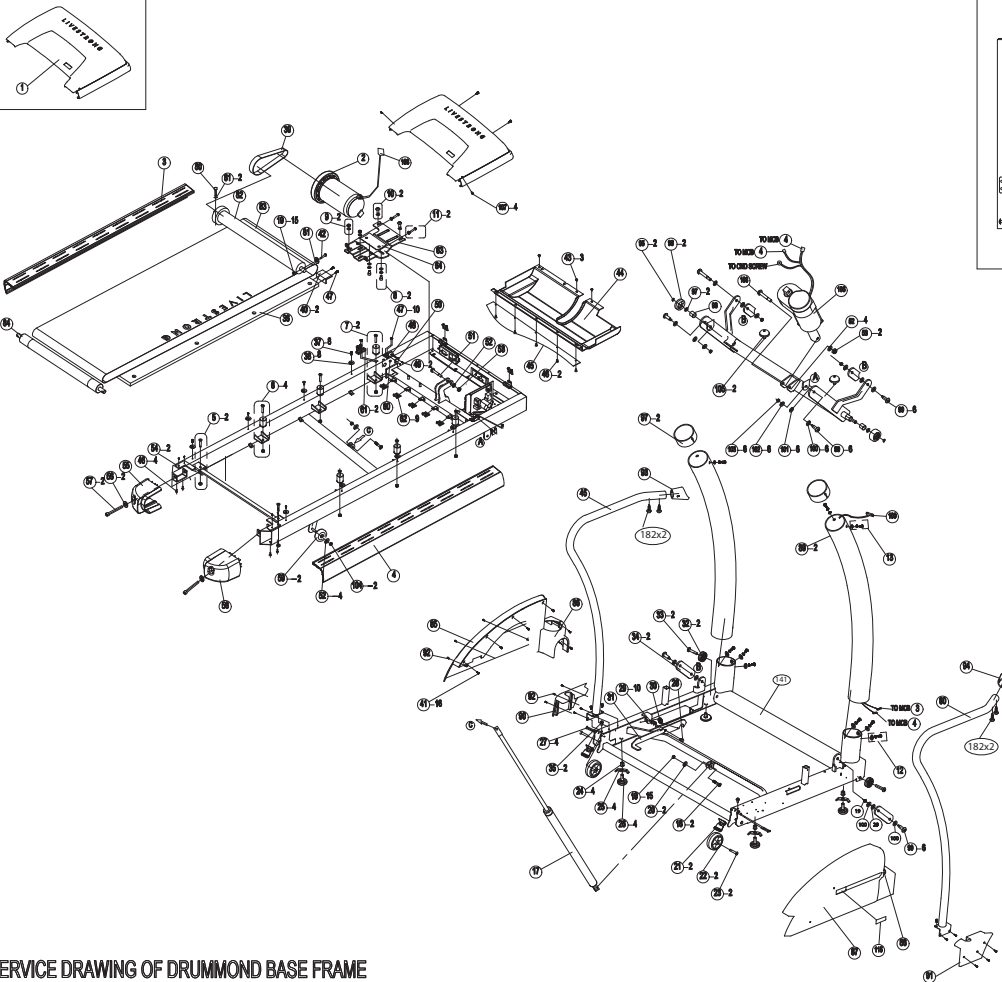
DETAIL VIEW OF CONSOLE BOARD



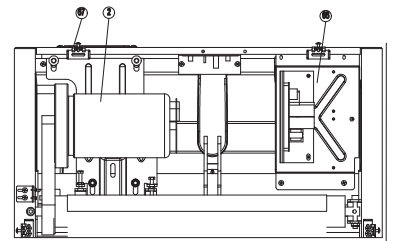
DETAIL VIEW OF UPPER CONSOLE COEVR



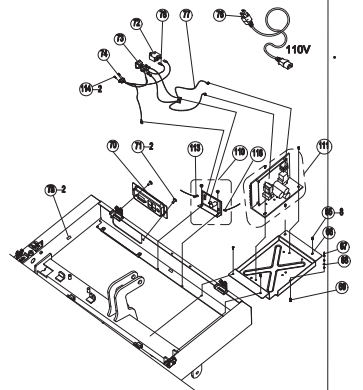
DETAIL VIEW OF CROSSBAR



SERVICE DRAWING OF DRUMMOND BASE FRAME



Top View of Electrical Components



Detail View of Electrical Components