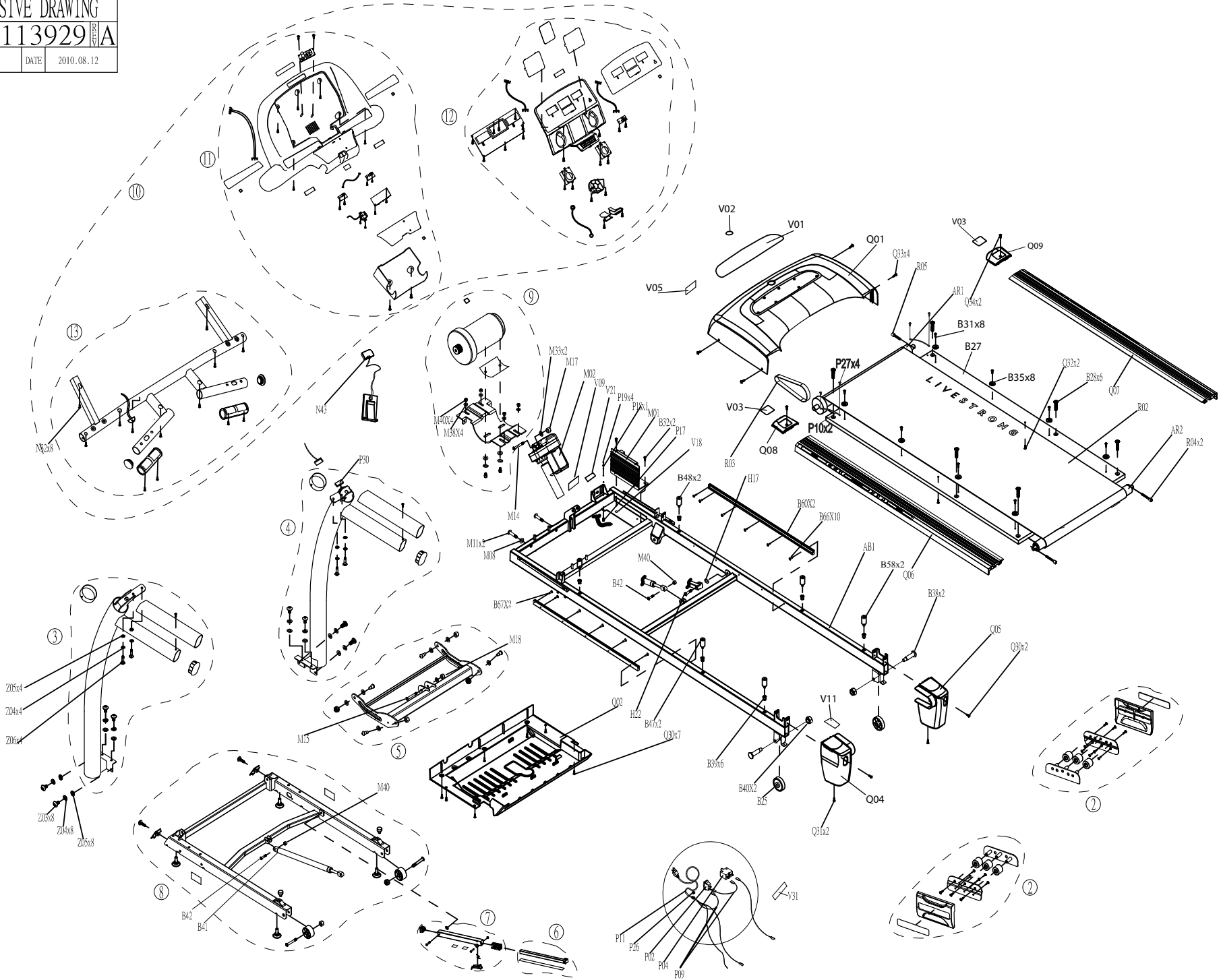
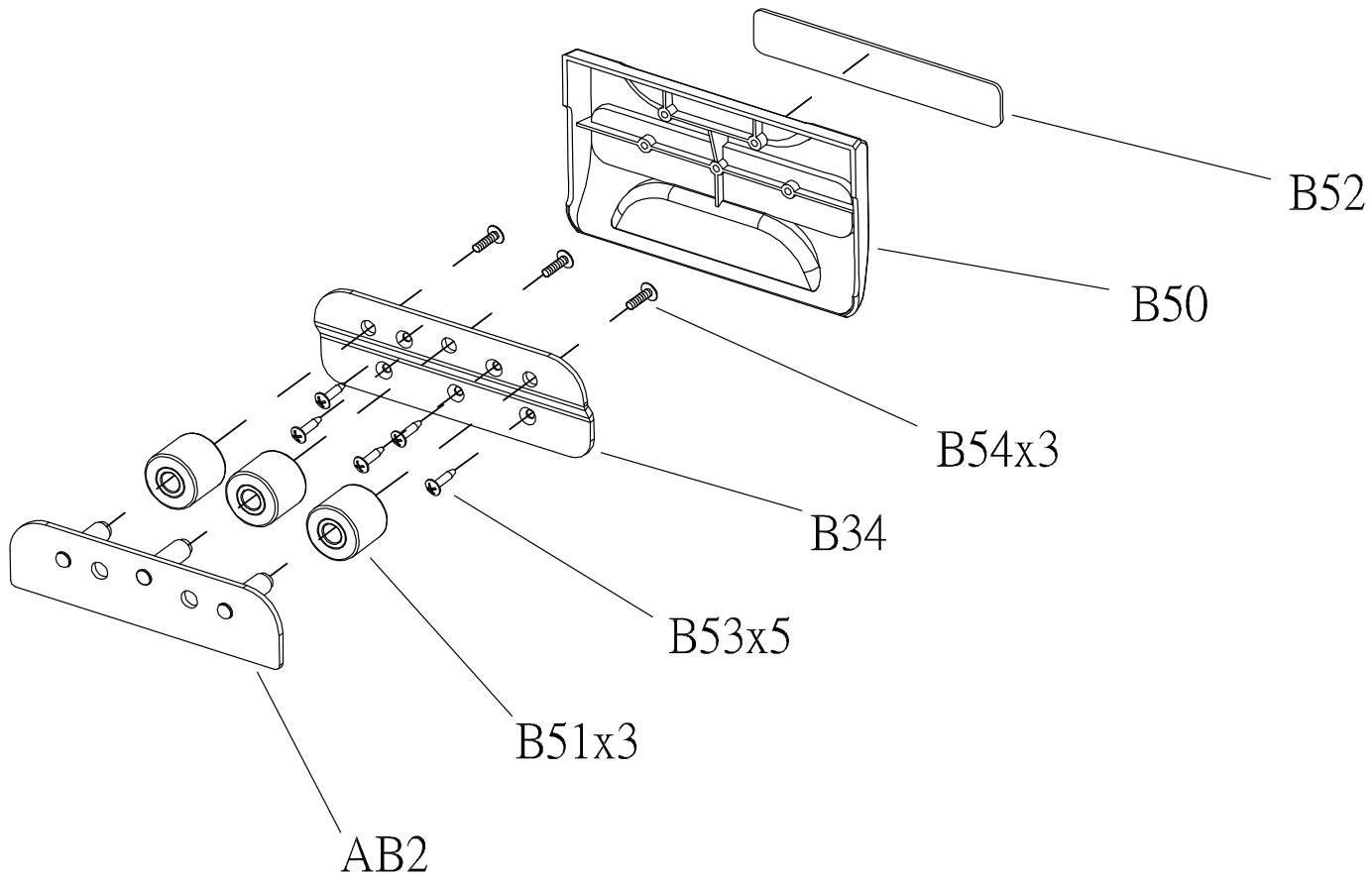


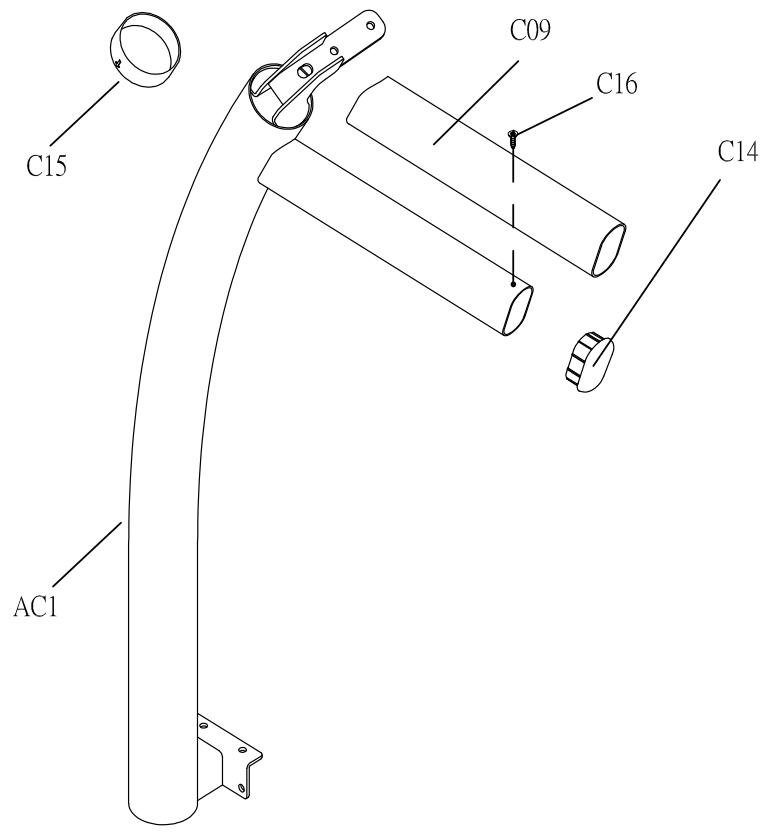
DRAWING NO	TM641-A04		
PART NAME	EXPLOSIVE DRAWING		
PART NO	1000113929 A		
APPROVE	DATE	2010.08.12	



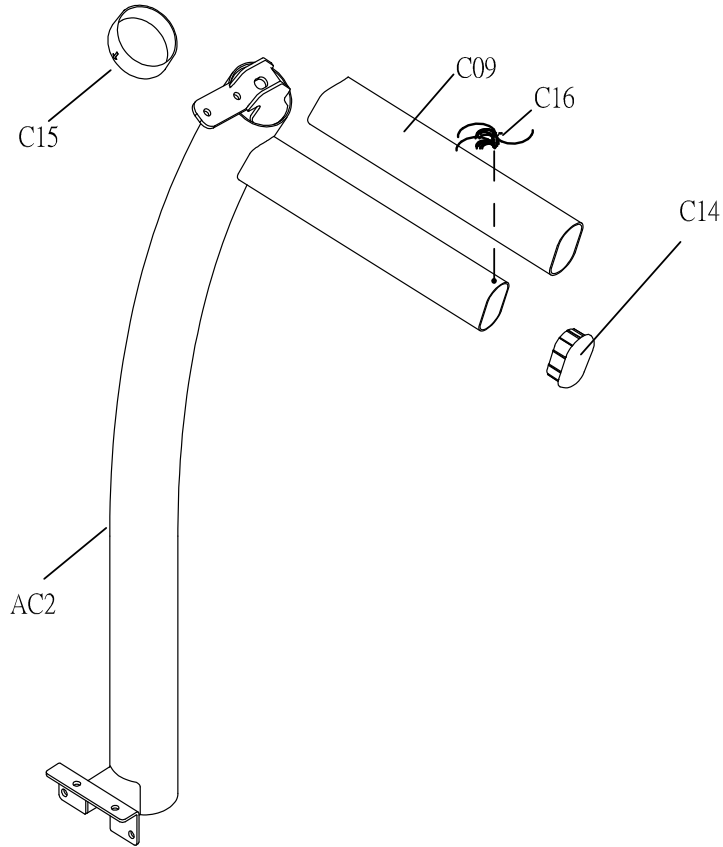
DRAWING NO	TM641-A23		
PART NAME	CUSHION FRAME SET		
PART NO	1000206505	DATE	2010.09.15
APPROVE			



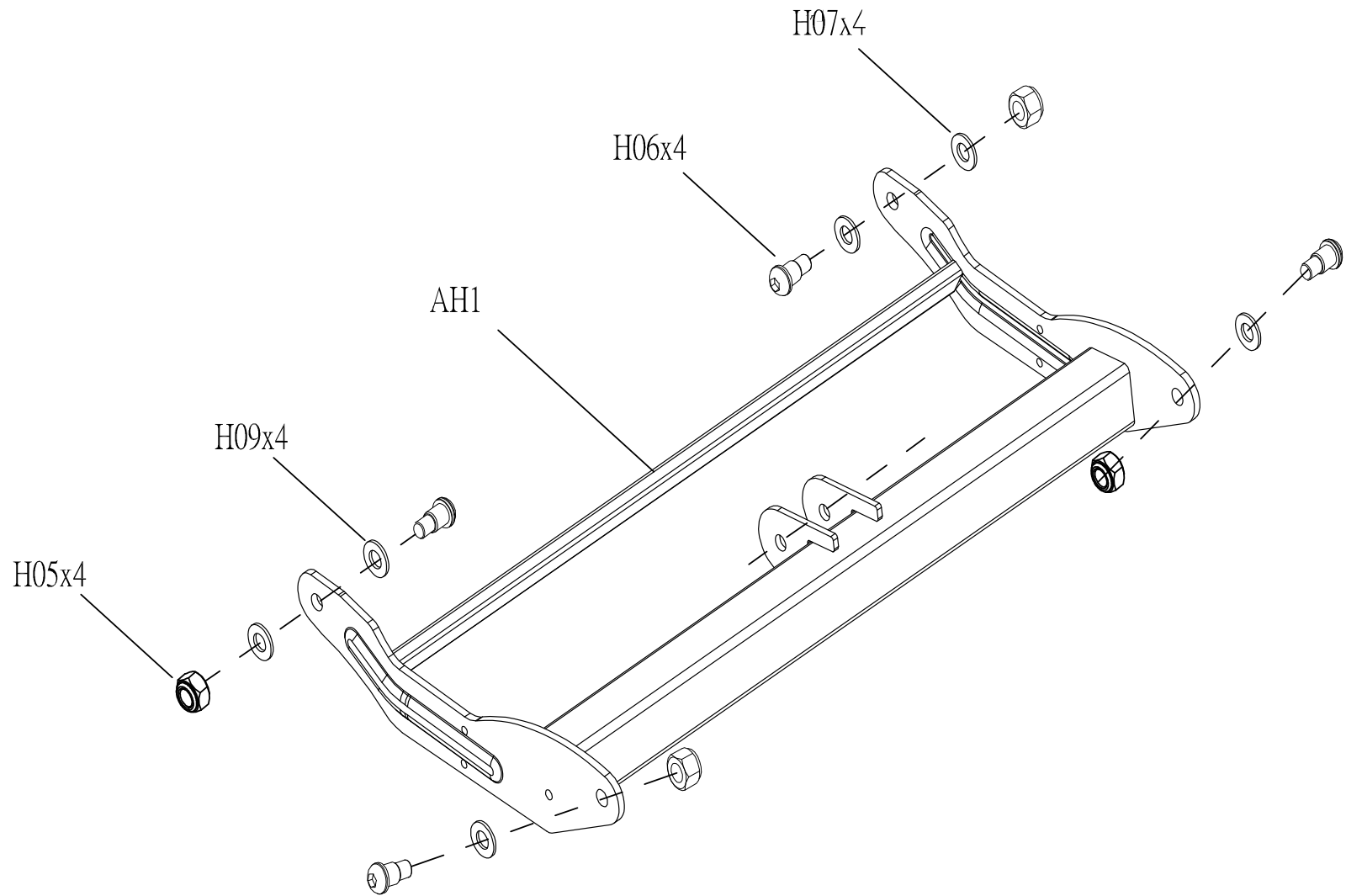
DRAWING NO	TM641 - A07		
PART NAME	Console Mast Set;L		
PART NO	1000206514	REV	A
APPROVE		DATE	2010.09.15



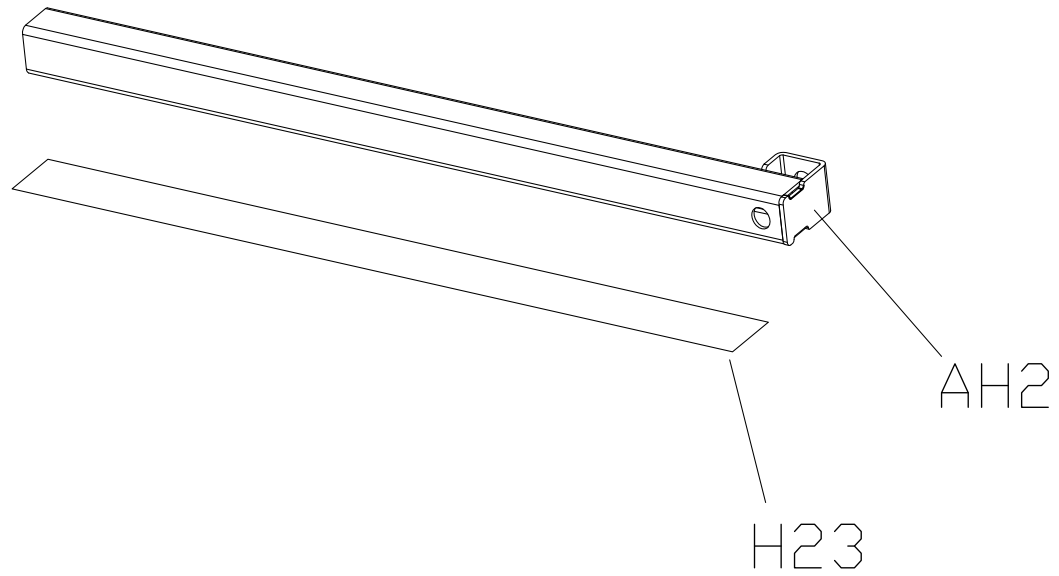
DRAWING NO	TM641 - A08		
PART NAME	Console Mast Set;R		
PART NO	1000206515	REV	A
APPROVE		DATE	2010.09.15



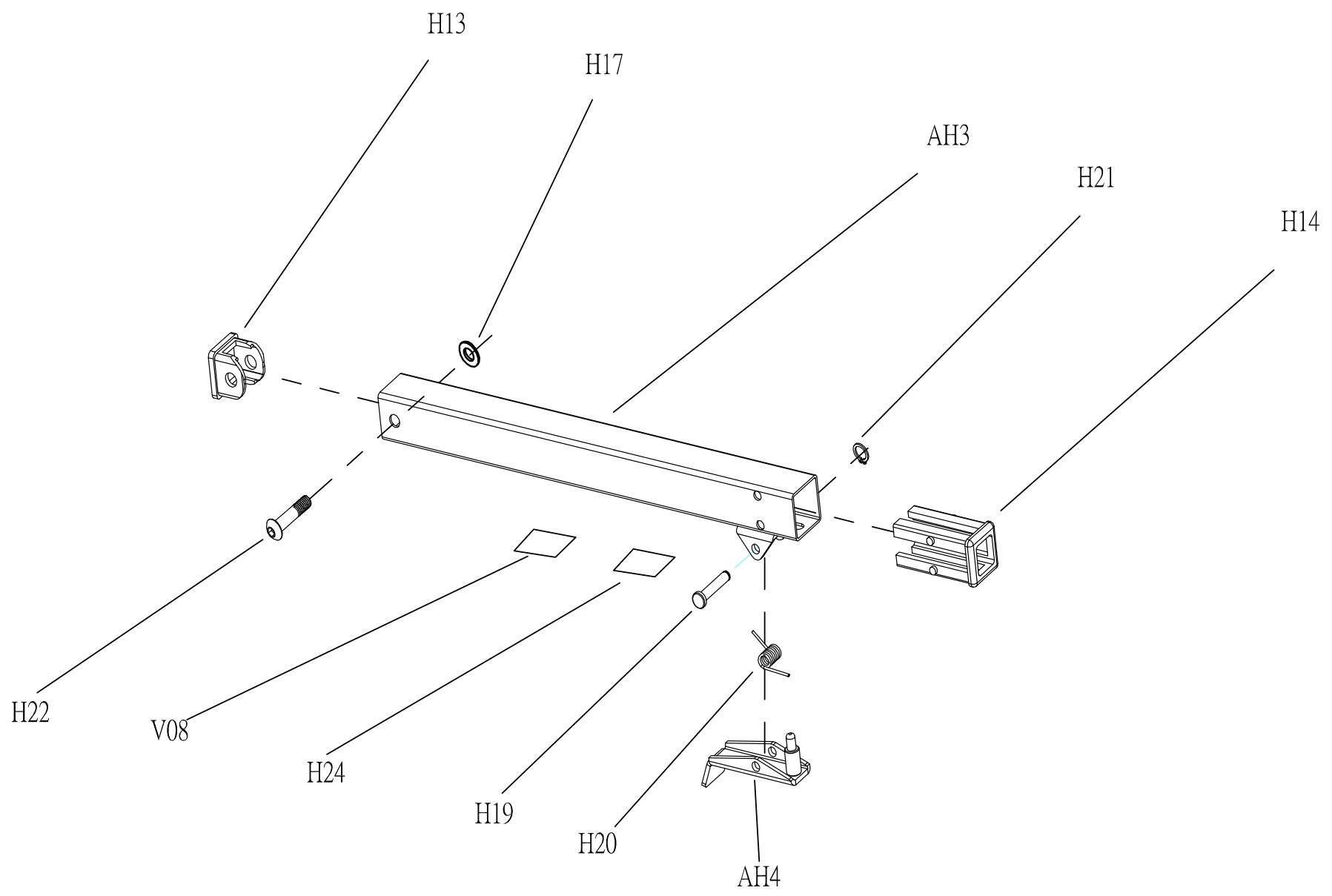
DRAWING NO	TM641 - A09		
PART NAME	Rack Set		
PART NO	1000113935	REV	A
APPROVE		DATE	2010.09.15



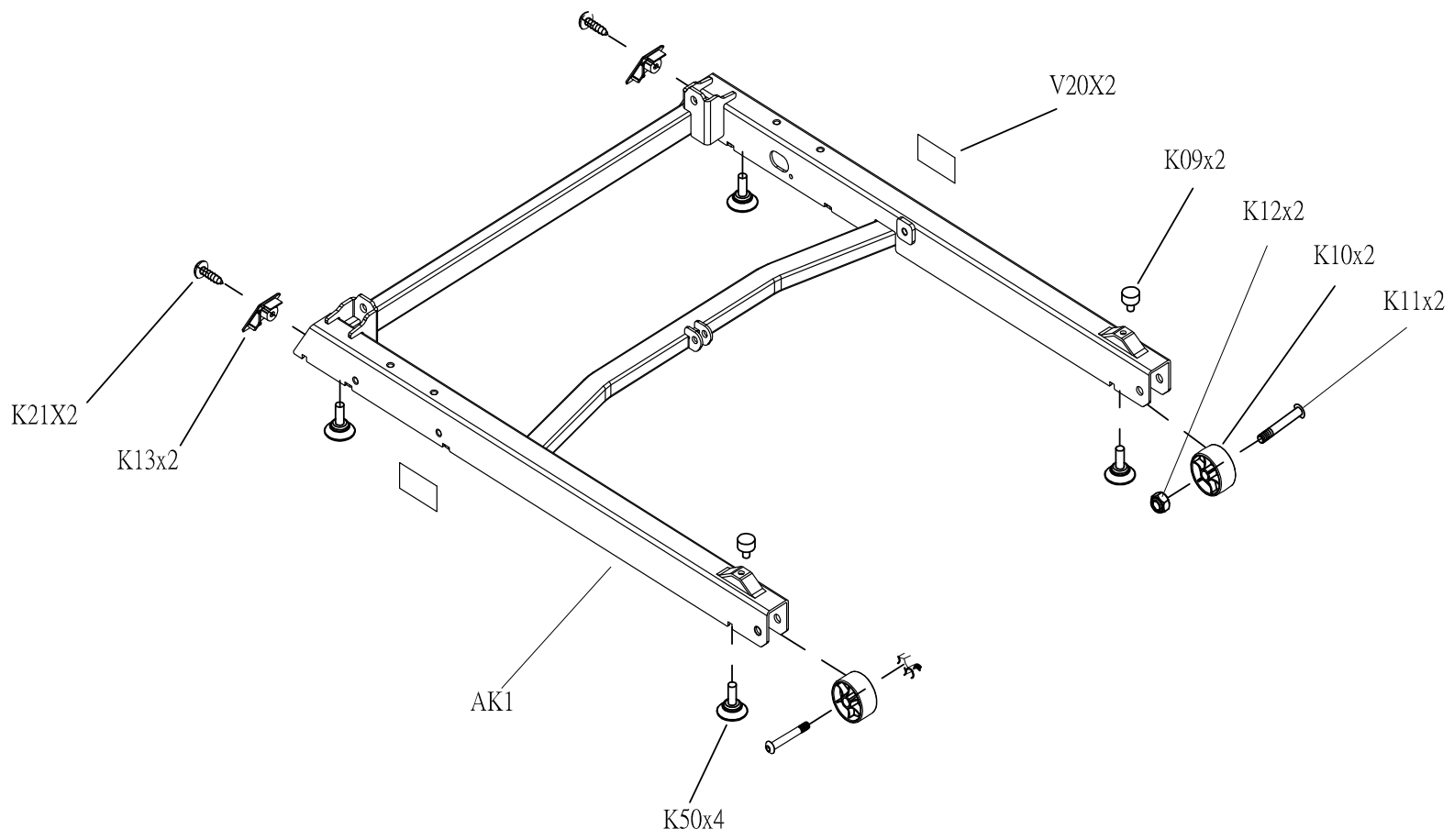
DRAWING NO 圖 號	TM622-A09	
PART NAME(CH) 零件名稱(中文)	插桿組	
PART NAME(EN) 零件名稱(英文)	Insert Pole set	
SAP PART NO SAP料號	1000110342	REV A



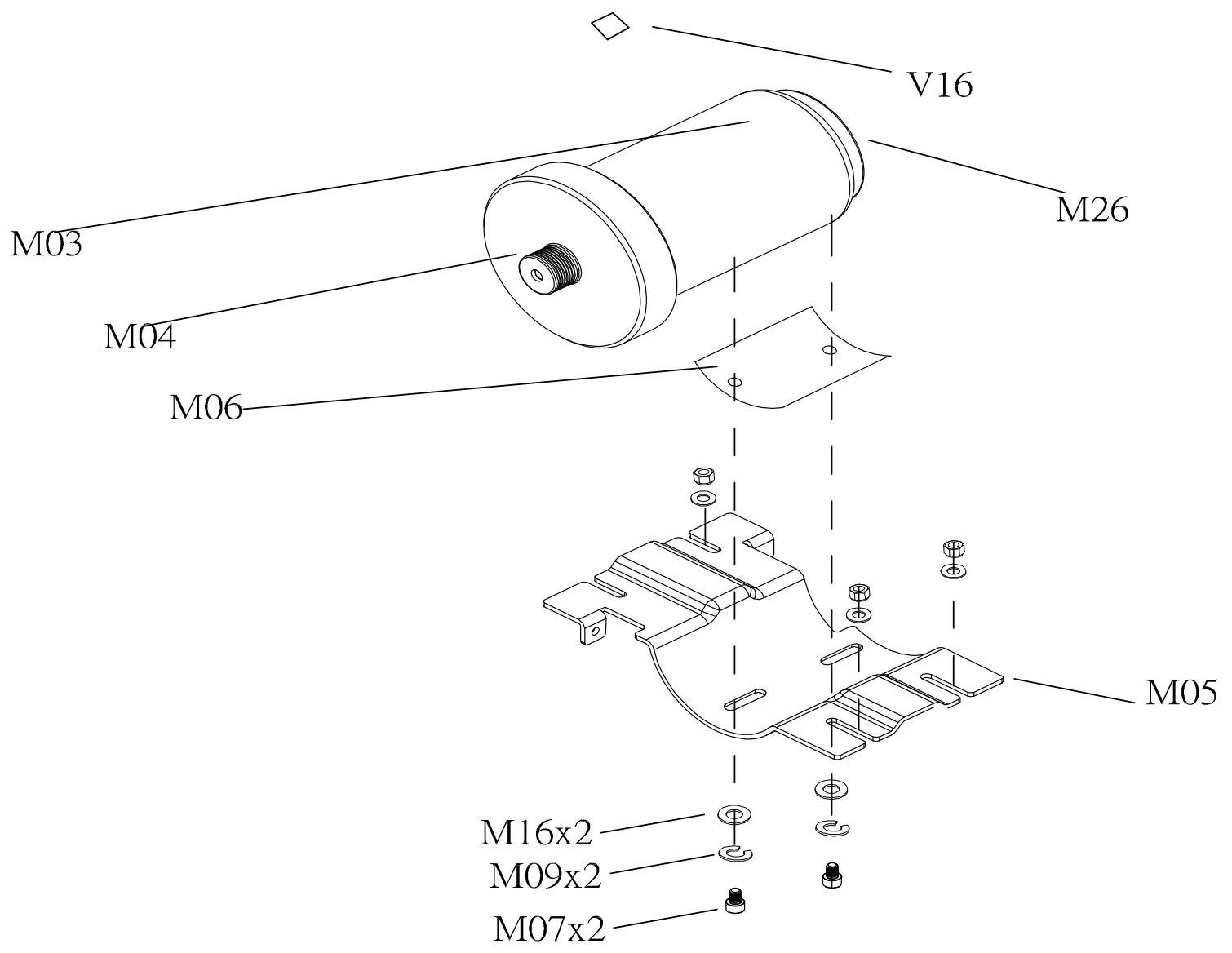
DRAWING NO	TM641-A18		
PART NAME	Sleeve Set		
PART NO	1000210053	REV	A
APPROVE		DATE	2010.09.15



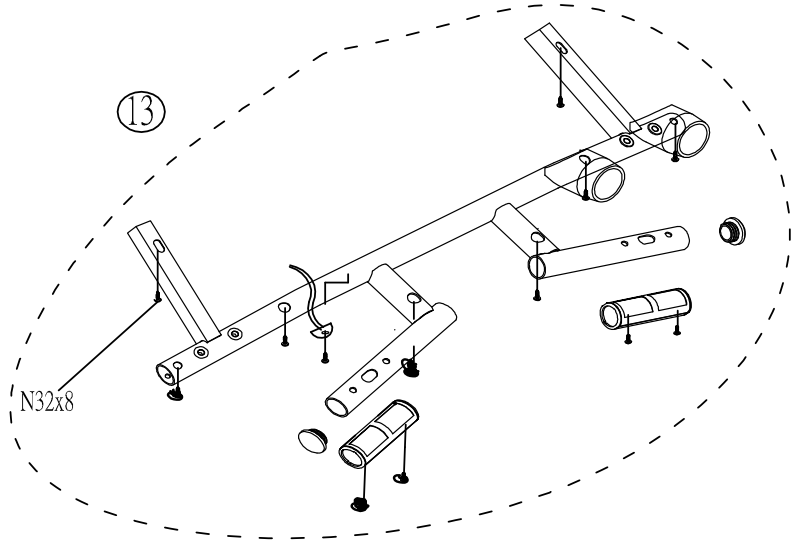
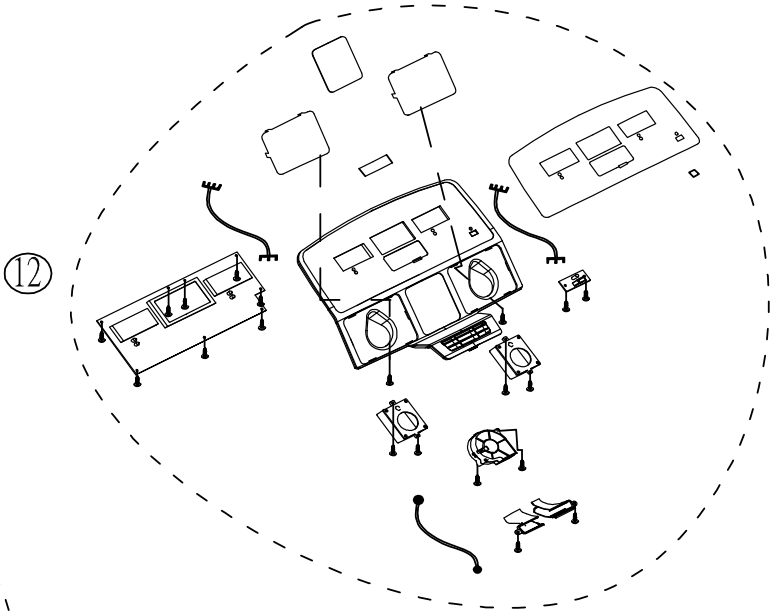
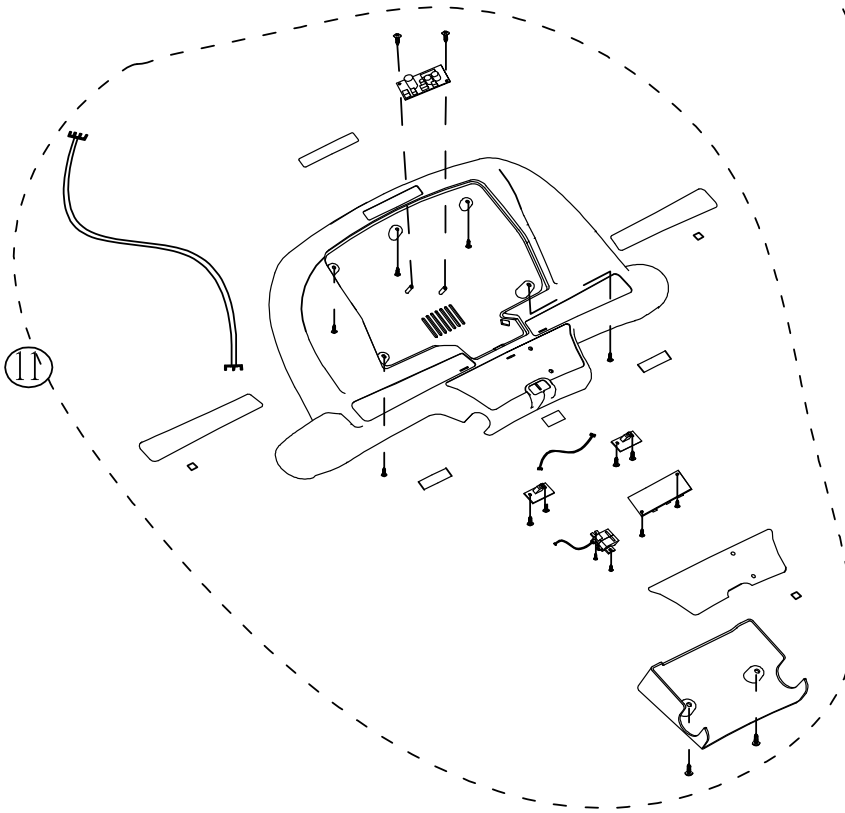
DRAWING NO	TM641 - A11		
PART NAME	Base Set		
PART NO	1000113937	REV	A
APPROVE		DATE	2010.09.15



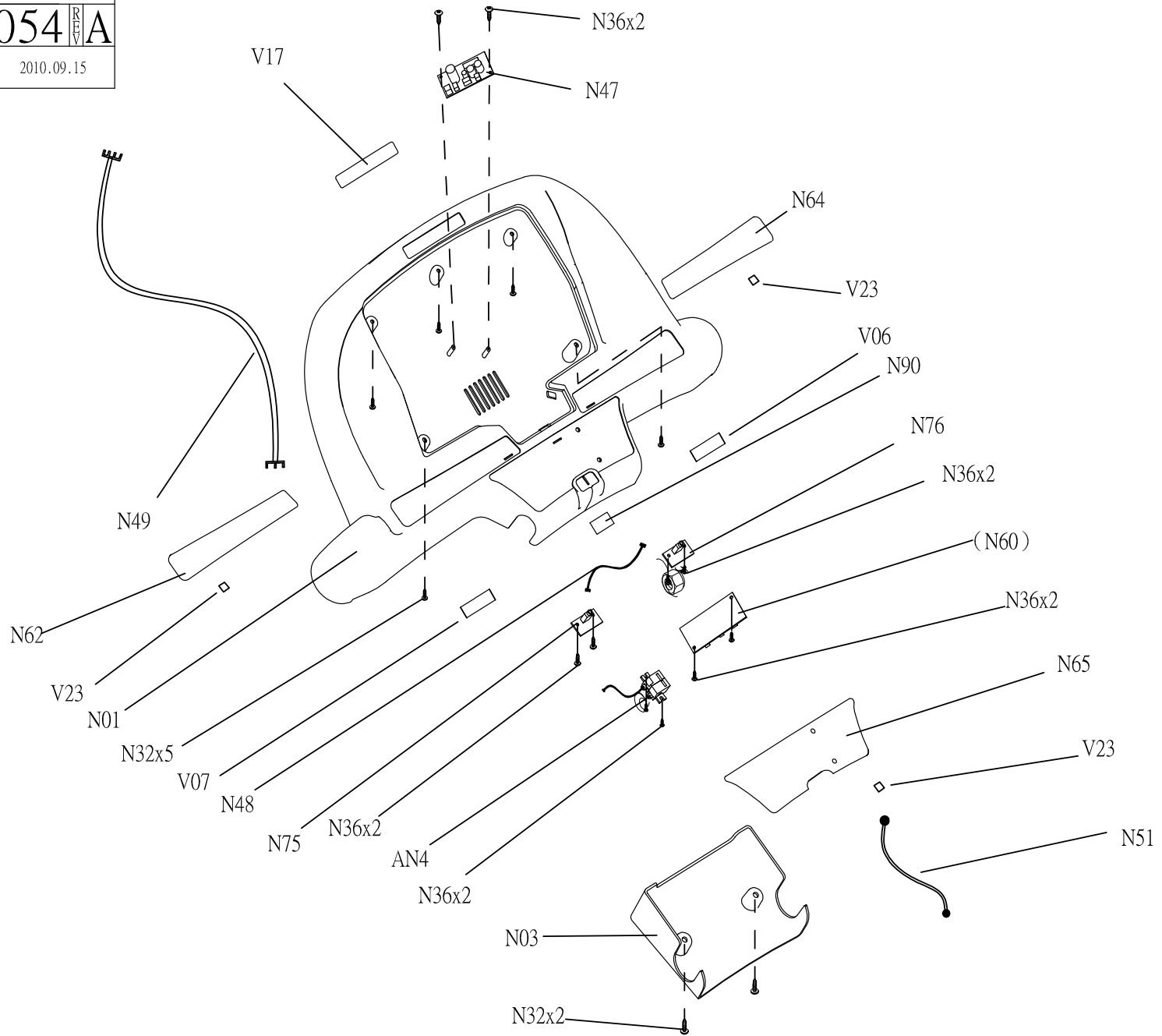
DRAWING NO	TM641-A12		
PART NAME	Motor Set		
PART NO	1000210052	REV	A
APPROVE		DATE	2010.09.15



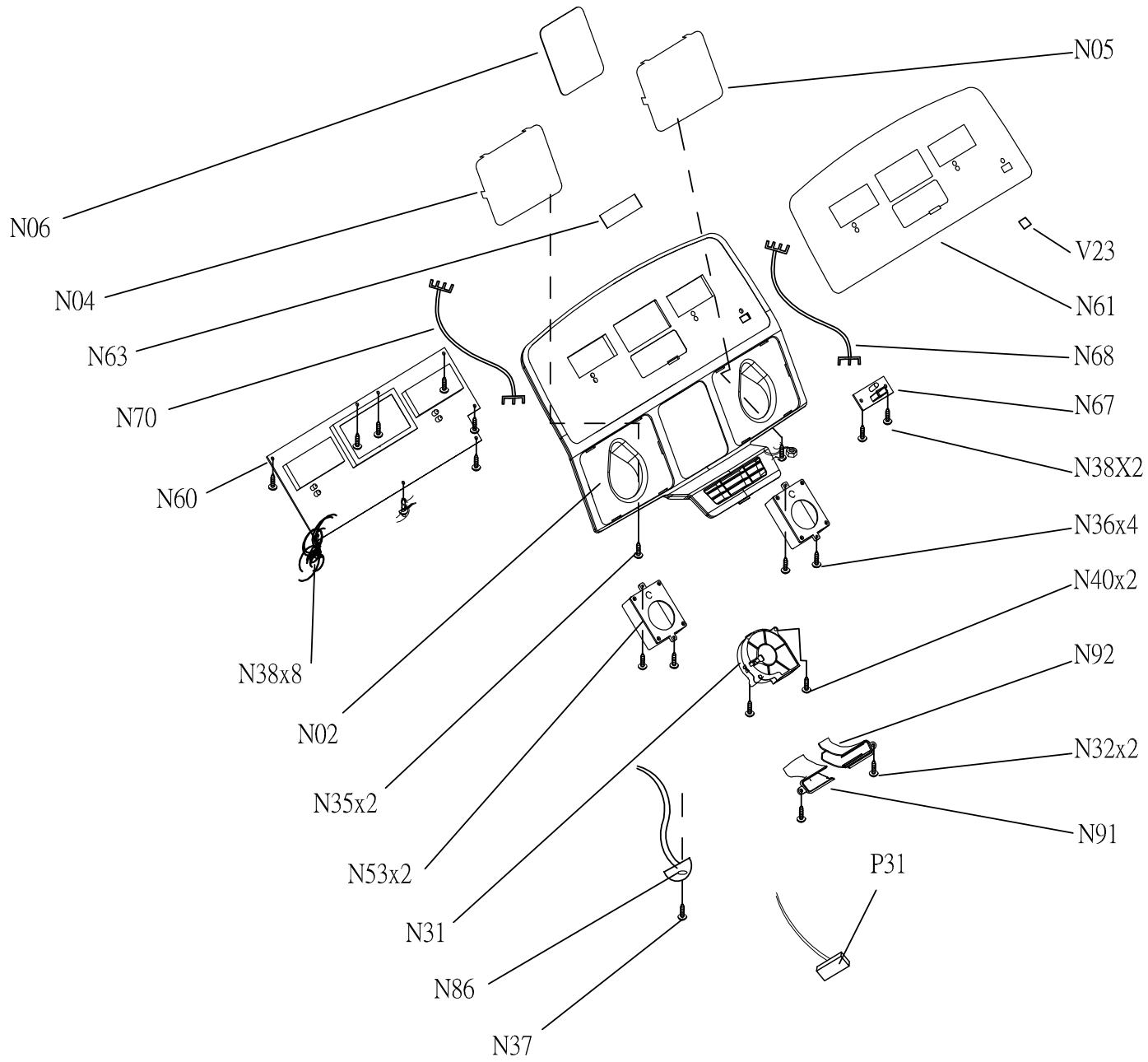
DRAWING NO	TM641-A13		
PART NAME	Console Set		
PART NO	1000114403		
APPROVE		DATE	2010.09.15



DRAWING NO	TM641-A14		
PART NAME	Console Crust Set		
PART NO	1000210054 <small>REV A</small>		
APPROVE		DATE	2010.09.15



DRAWING NO	TM641-A15		
PART NAME	Console overlay Set		
PART NO	1000210055	REV	A
APPROVE		DATE	2010.09.15



DRAWING NO	TM641 -A16		
PART NAME	Console Base Set		
PART NO	1000114406	REV	A
APPROVE		DATE	2010.09.15

