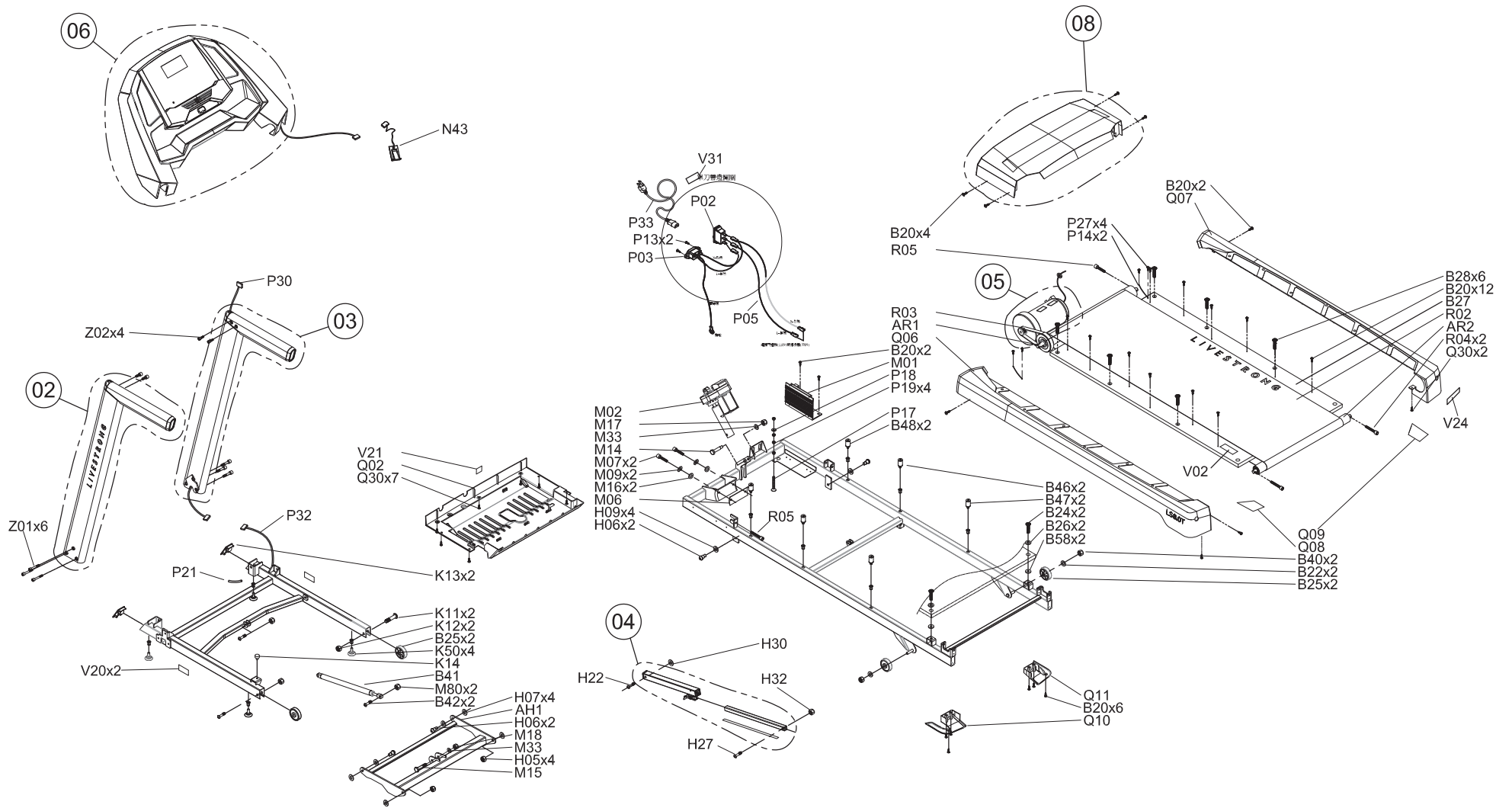
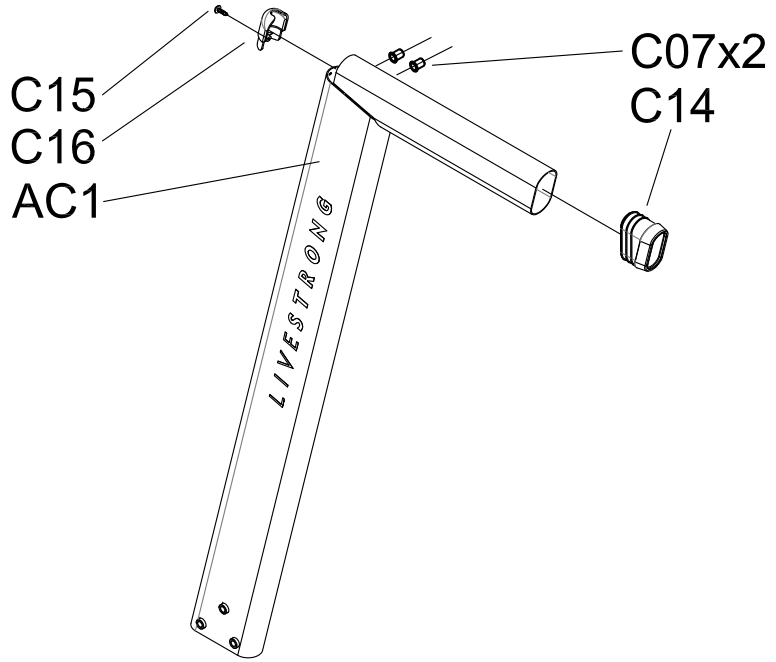


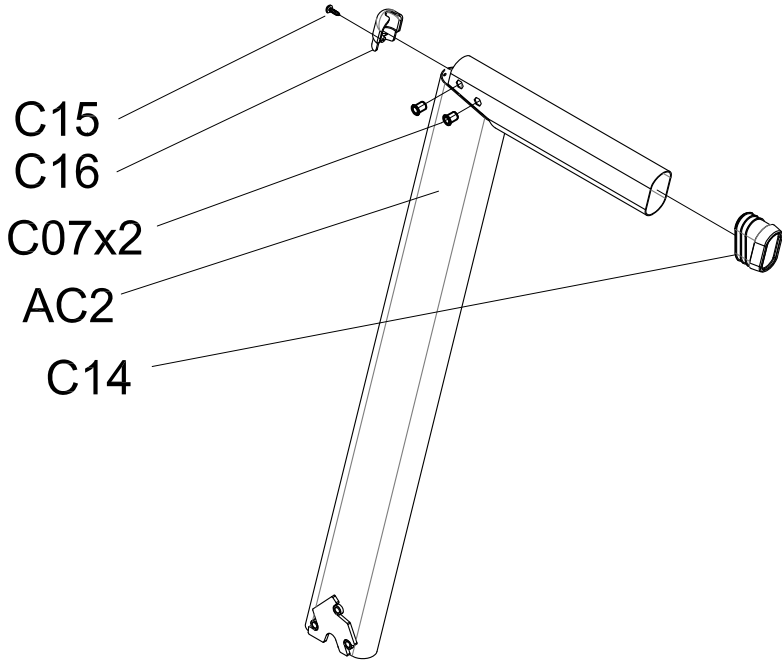
DRAWING NO	PTM683B-1US		
PART NAME	Explosive Rendering		
PART NO	HTM0942-00	REV	A
APPROVE		DATE	2013.03.15



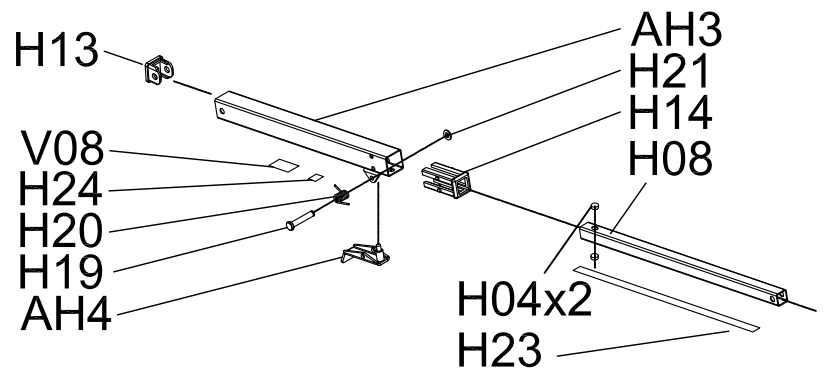
DRAWING NO	TM683-A07		
PART NAME	L;Console mast set		
PART NO	1000233045	REV	A
APPROVE		DATE	2013.01.15



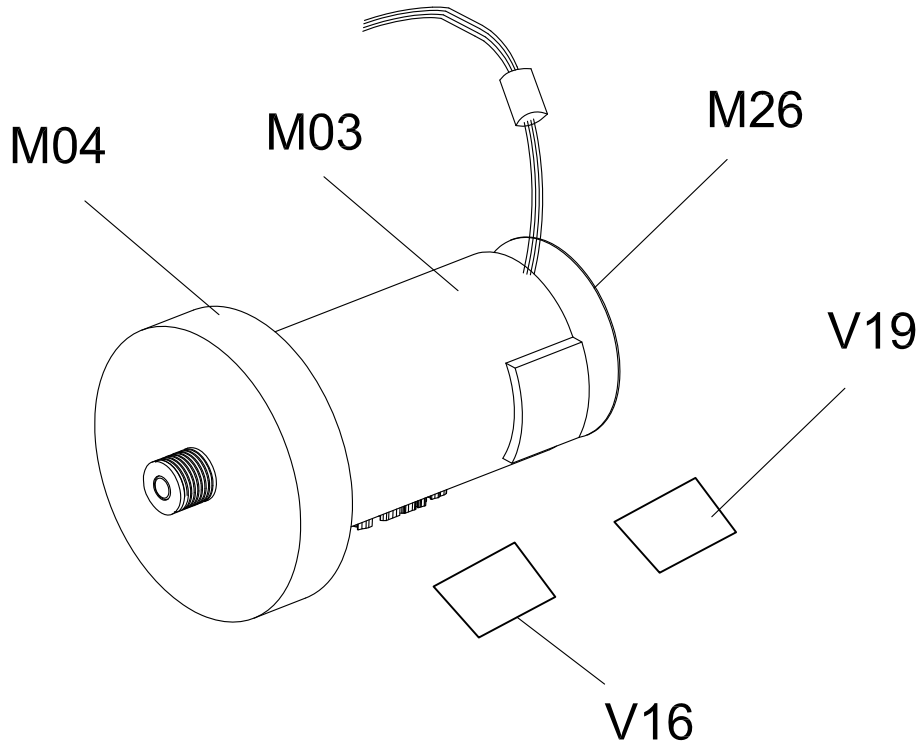
DRAWING NO	TM683-A08		
PART NAME	L;Console mast set		
PART NO	1000233046	REV	A
APPROVE		DATE	2013.01.15



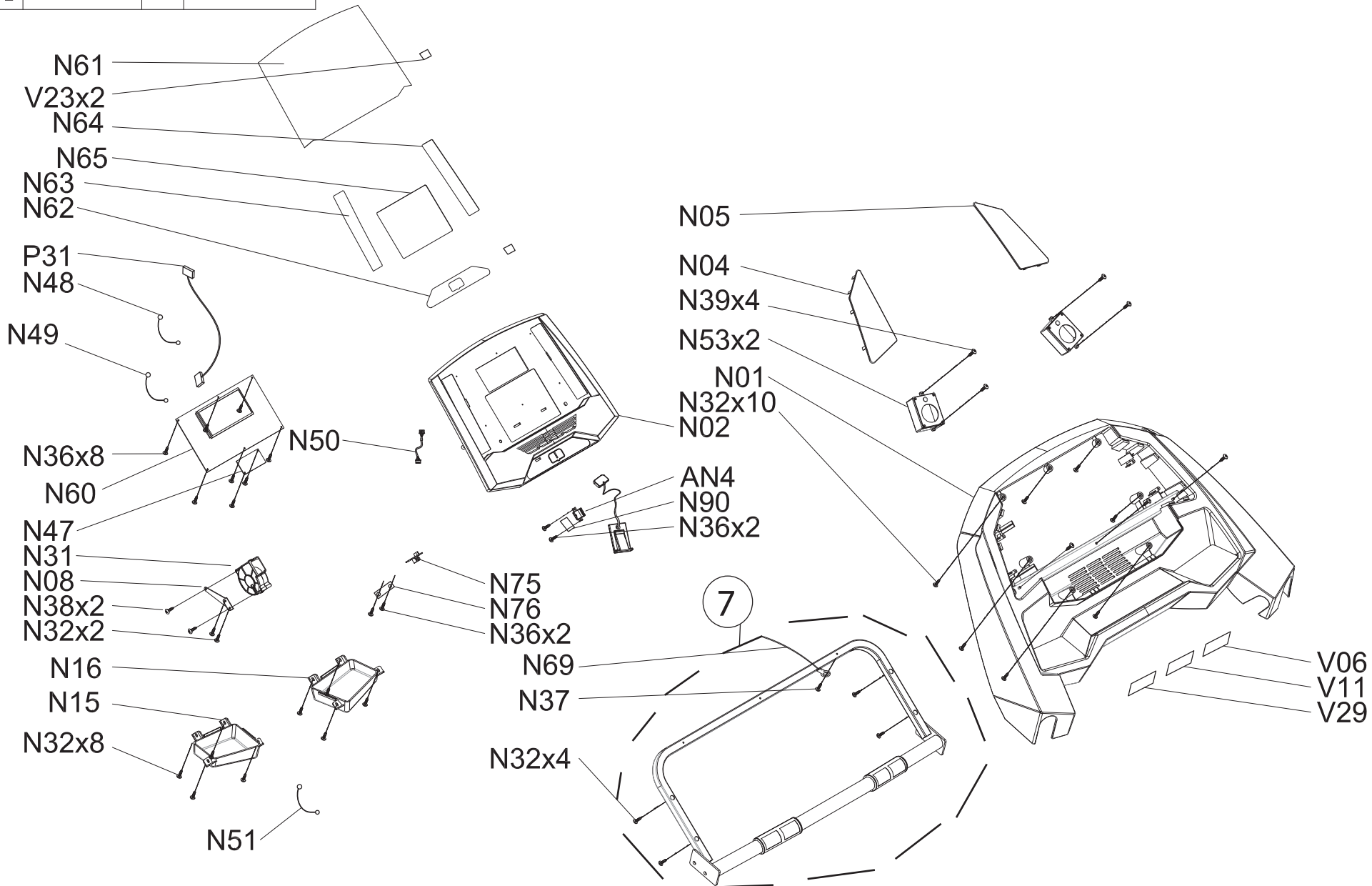
DRAWING NO	TM683-A09		
PART NAME	Sheath tube set		
PART NO	1000233224	REV	A
APPROVE		DATE	2013.03.01



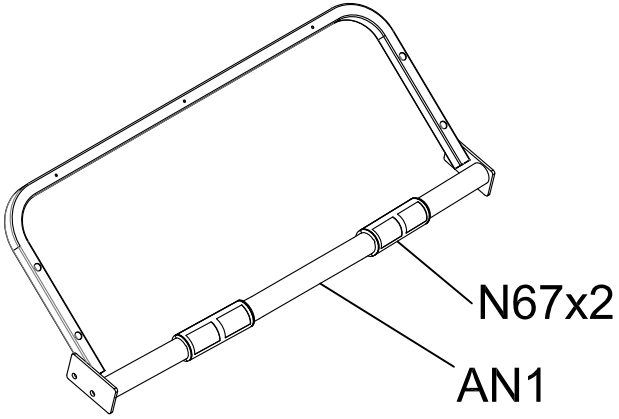
DRAWING NO	TM683-A12		
PART NAME	Motor set		
PART NO	1000233130	REV	A
APPROVE		DATE	2013.01.15



DRAWING NO	TM683-A14		
PART NAME	Consol set		
PART NO	1000307395	REV	A
APPROVE		DATE	2013.01.15



DRAWING NO	TM683-A16		
PART NAME	Console base set		
PART NO	1000233048	REV	A
APPROVE		DATE	2013.01.15



DRAWING NO	TM683B-A17		
PART NAME	Motor cover set		
PART NO	1000309657	REV	A
APPROVE		DATE	2013.03.15

V05
Q01

