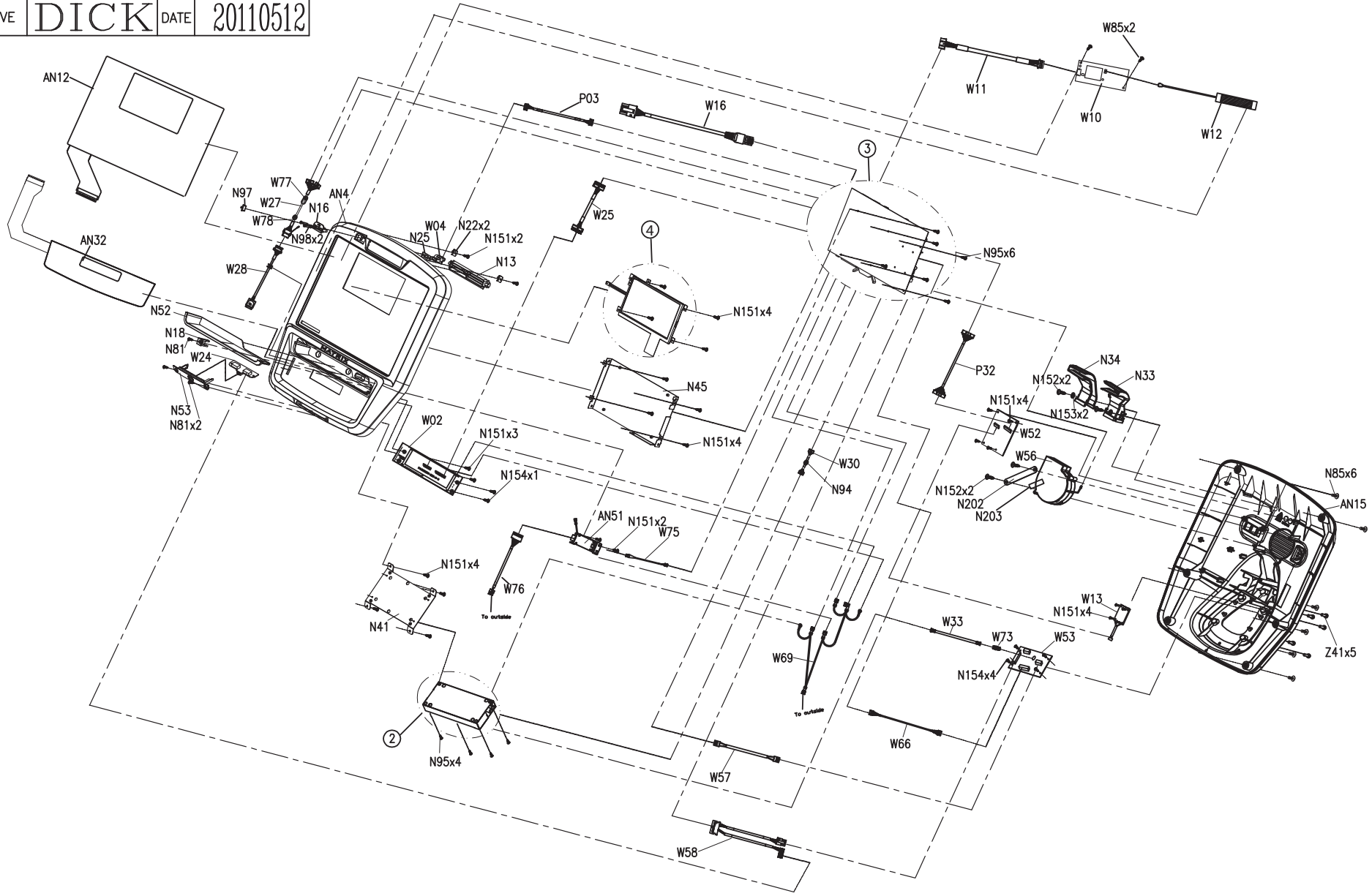
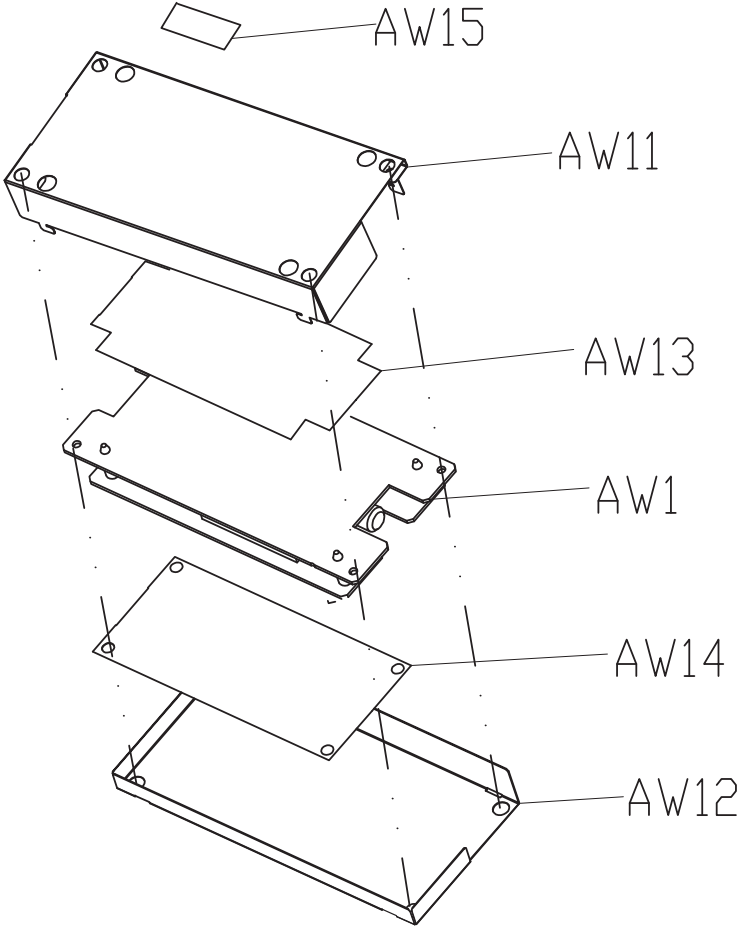


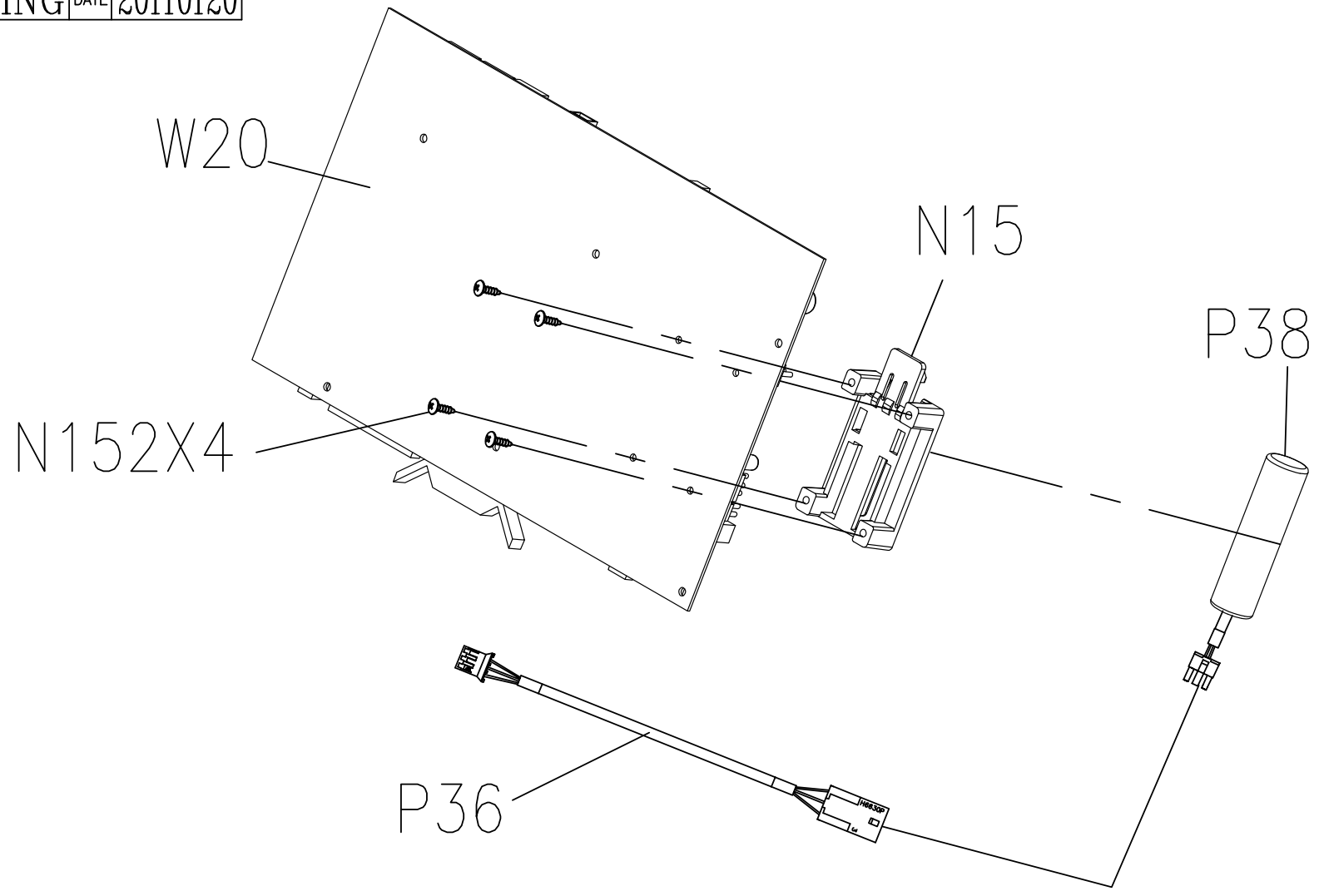
DRAWING NO	EP91C-AN11		
PART NAME	CONSOLE SET		
PART NO	1000208244	REV	E
APPROVE	DICK	DATE	20110512



DRAWING NO	TM502-AW31		
PART NAME	TUNER Module Set		
PART NO	As attachment list Ⅱ B		
APPROVE	SHUYI	DATE	09.29.10



DRAWING NO	EP91C-AW31	
PART NAME	CONTROL BOARD SET;LMM	
PART NO	1000211257 <small>REV</small> A	
APPROVE	YUTING	DATE 20110120



DRAWING NO	EP91C-AN15		
PART NAME	TFT MODULE SET;7 INCH		
PART NO	1000208267	REV	A
APPROVE	YUTING	DATE	20110120

