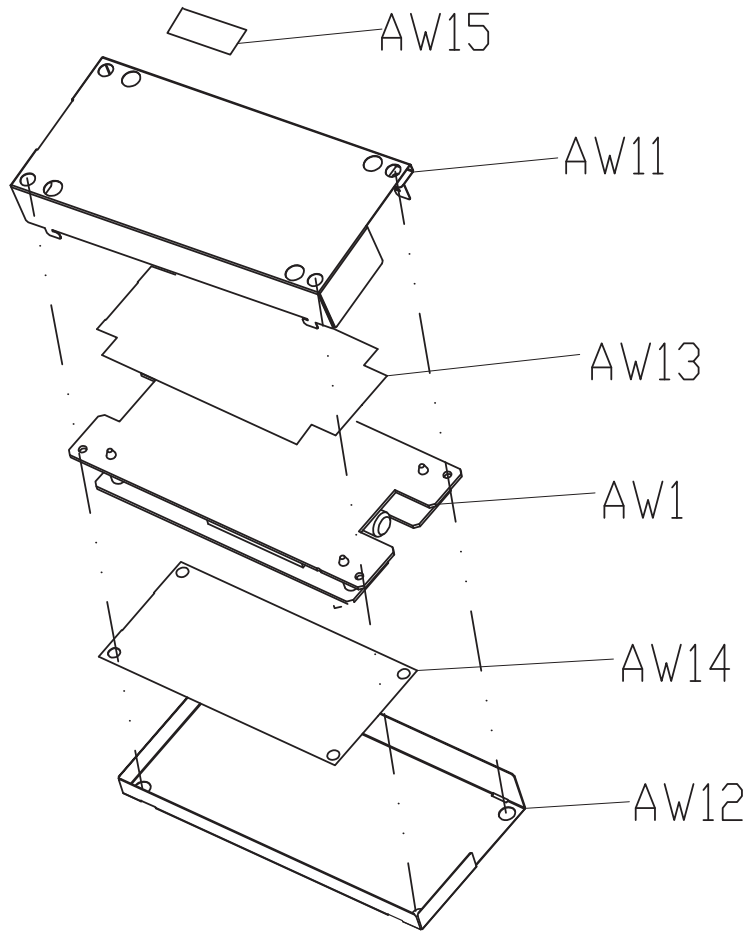
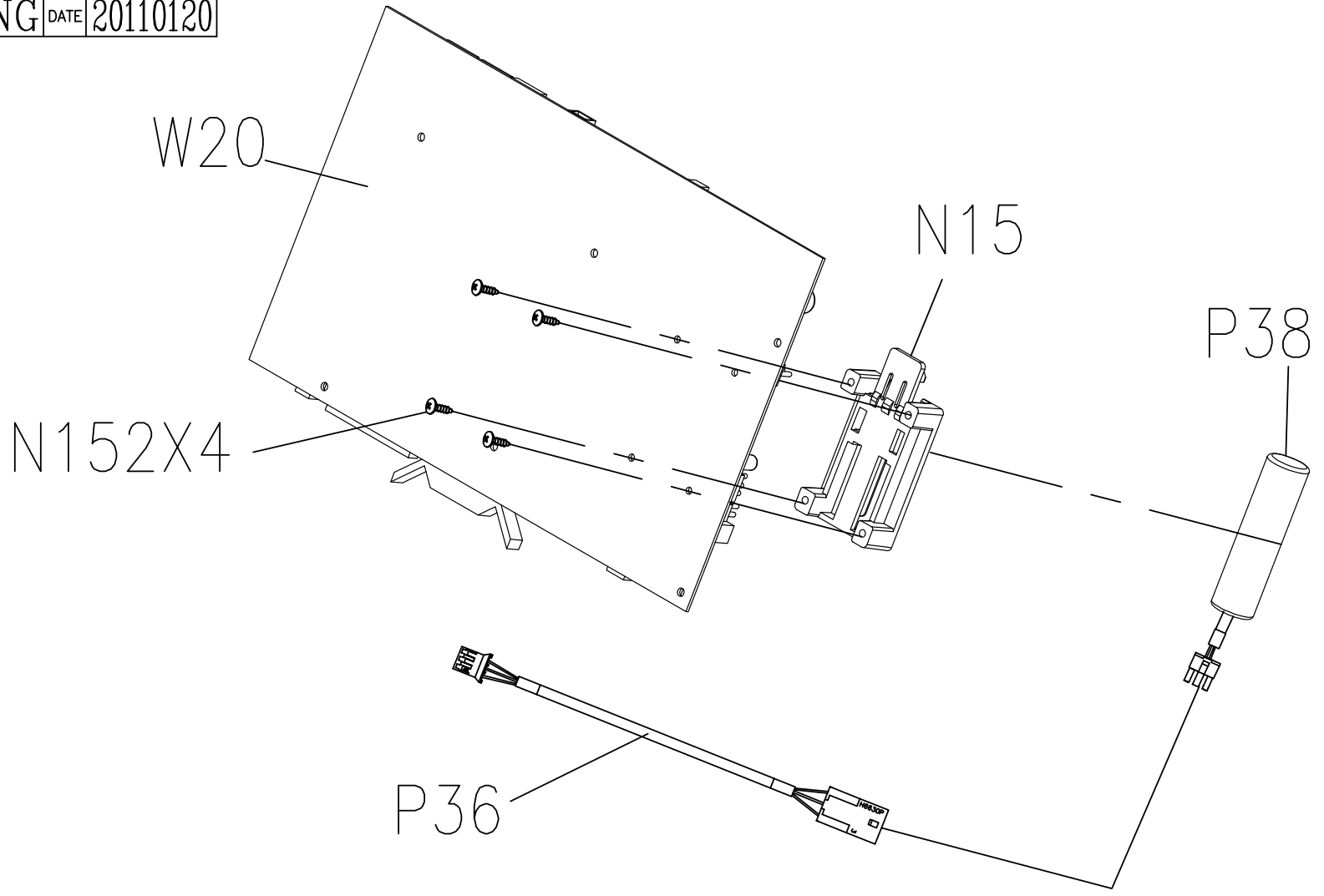




DRAWING NO	TM502-AW31		
PART NAME	TUNER Module Set		
PART NO	As attachment list Ⅱ B		
APPROVE	SHUYI	DATE	09.29.10



DRAWING NO	EP91C-AW32		
PART NAME	CONTROL BOARD SET		
PART NO	0000095289	REV	A
APPROVE	YUTING	DATE	20110120



DRAWING NO	EP92F-AW31		
PART NAME	PANEL BOARD SET;15 INCH TFT LCD		
PART NO	1000208586	REV	A
APPROVE	YUTING	DATE	20110120

