
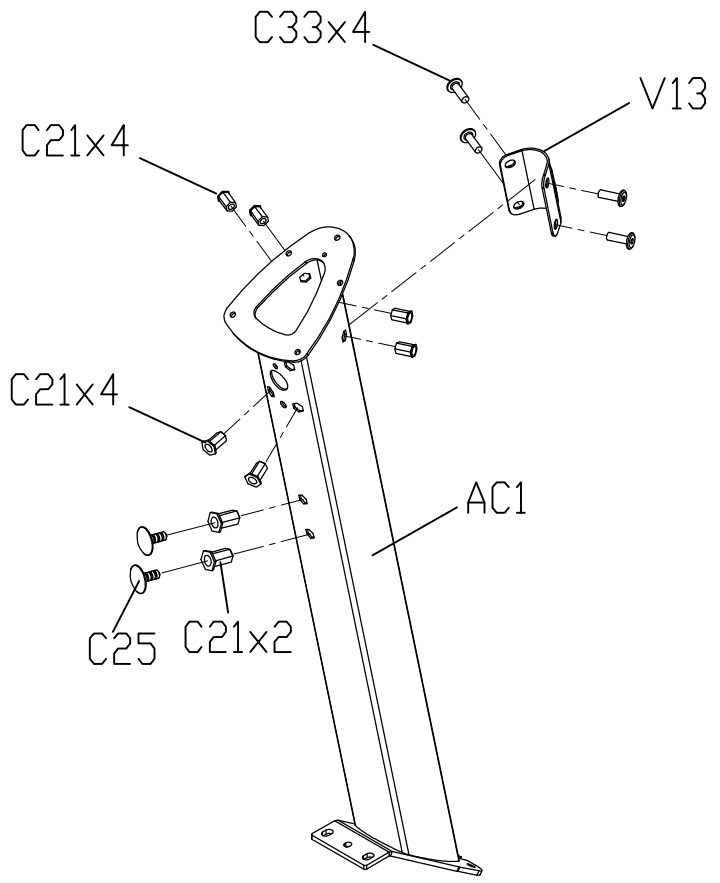
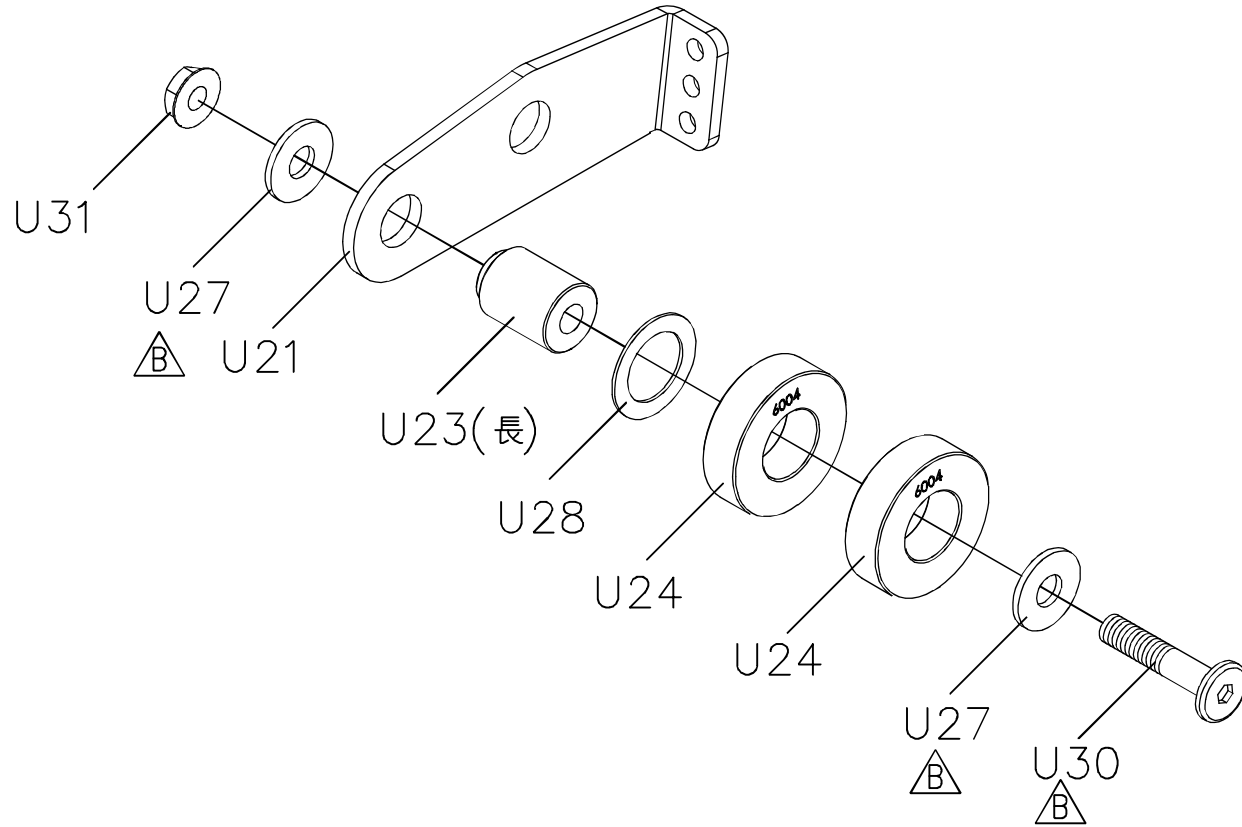


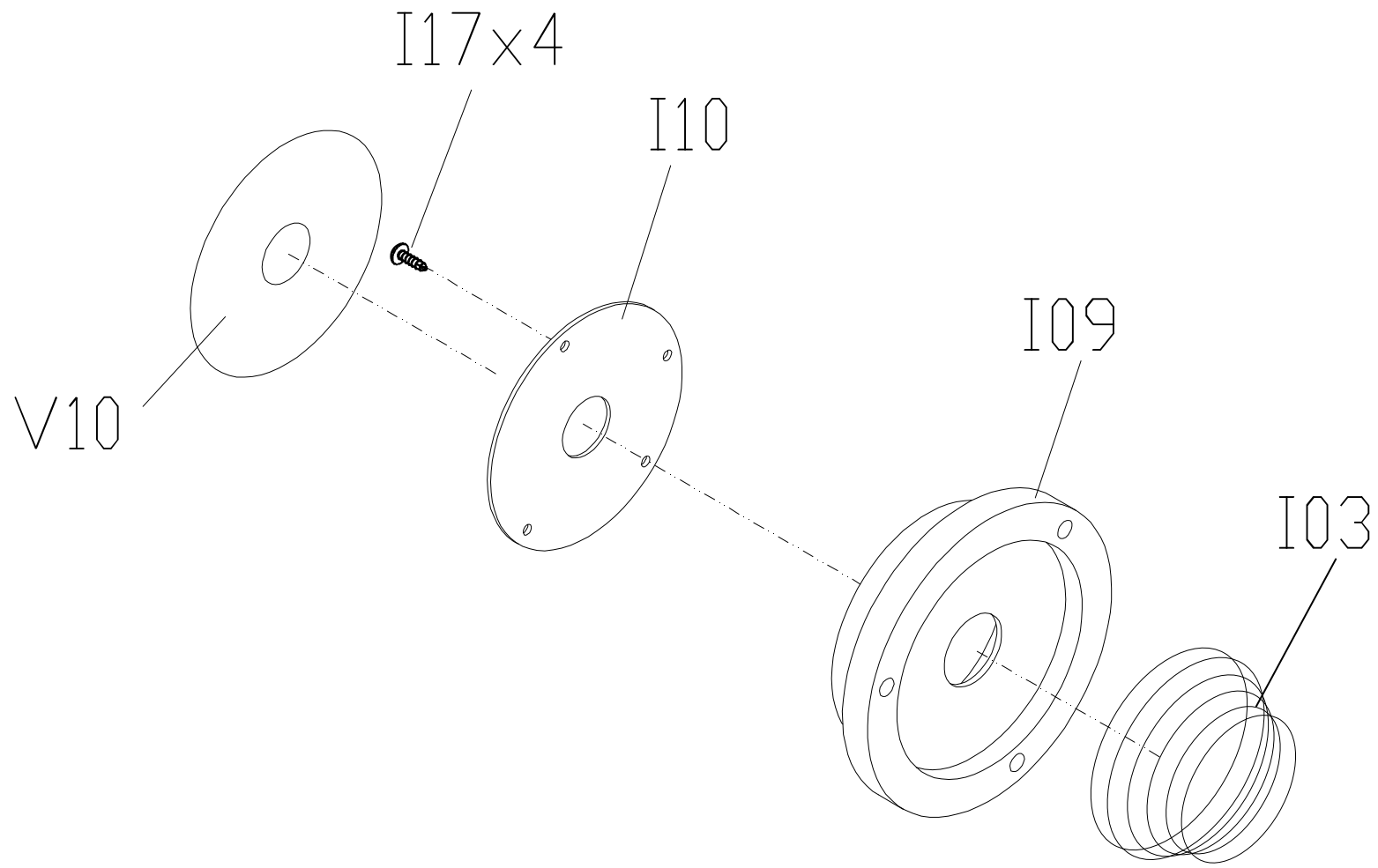
DRAWING NO	CB72B-AC13		
PART NAME	Console Mast Set		
PART NO	1000216375  A		
APPROVE	KEN	DATE	050311




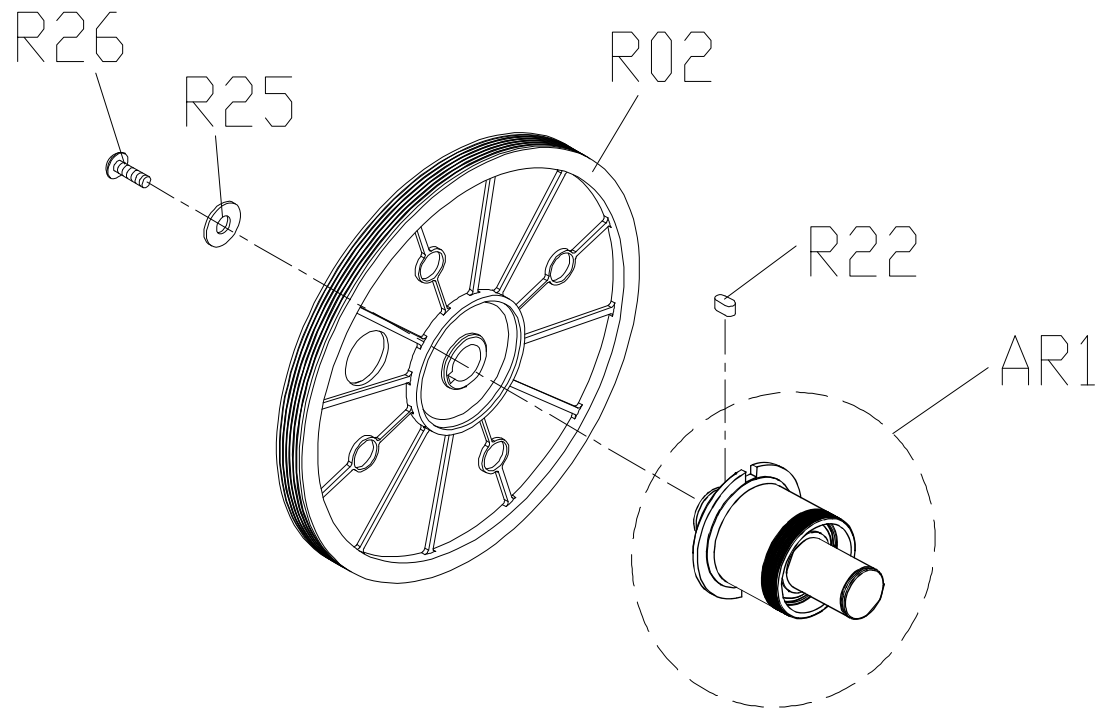
DRAWING NO	CB72-AU3		
PART NAME	Idle Set		
PART NO	0000095374		
APPROVE	sammi	DATE	2014.05.16



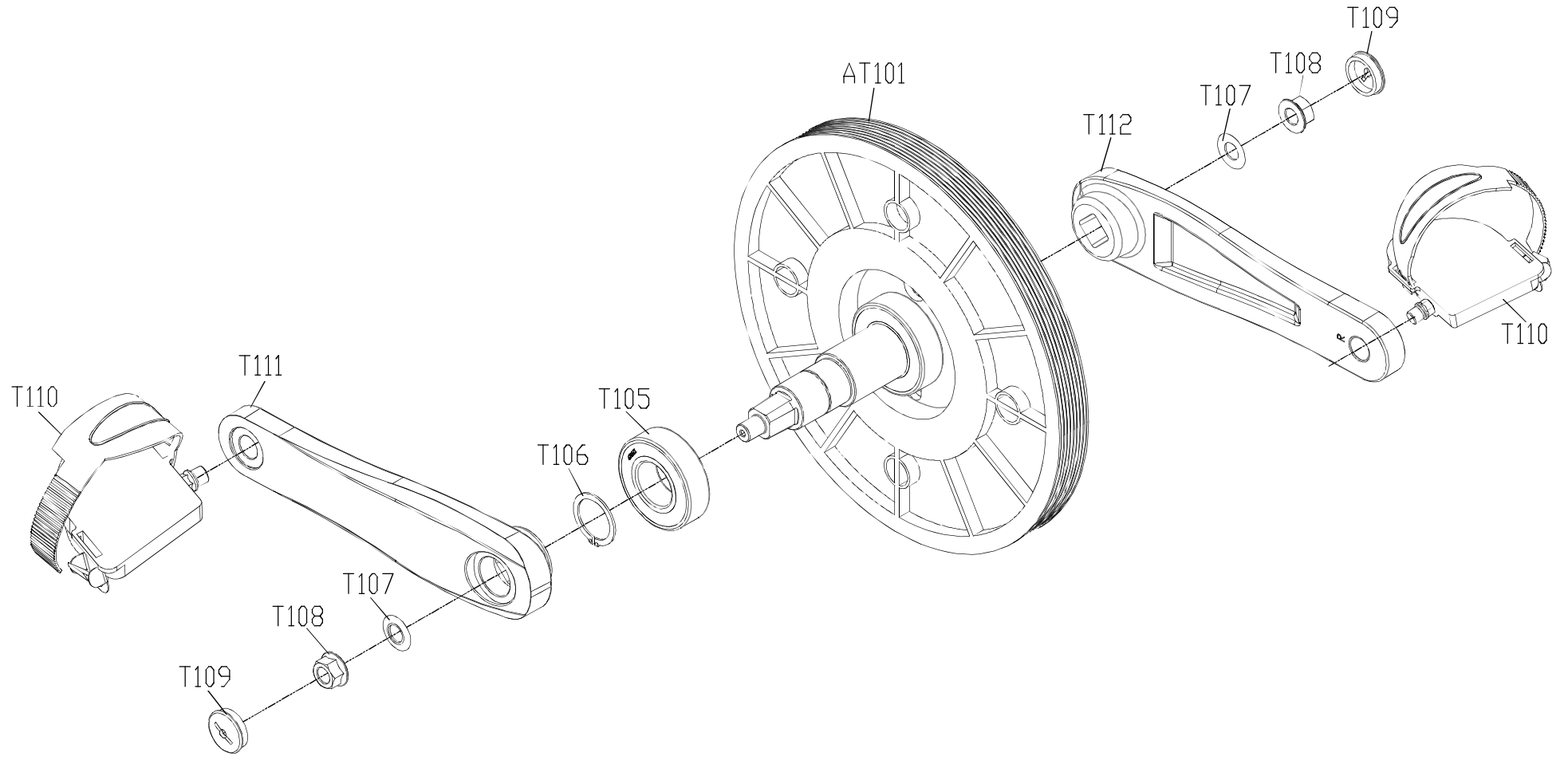
DRAWING NO	CB72-AI2		
PART NAME	WIRE SPRING SET		
PART NO	0000090806	REV	C
APPROVE	sammi	DATE	2014.05.14



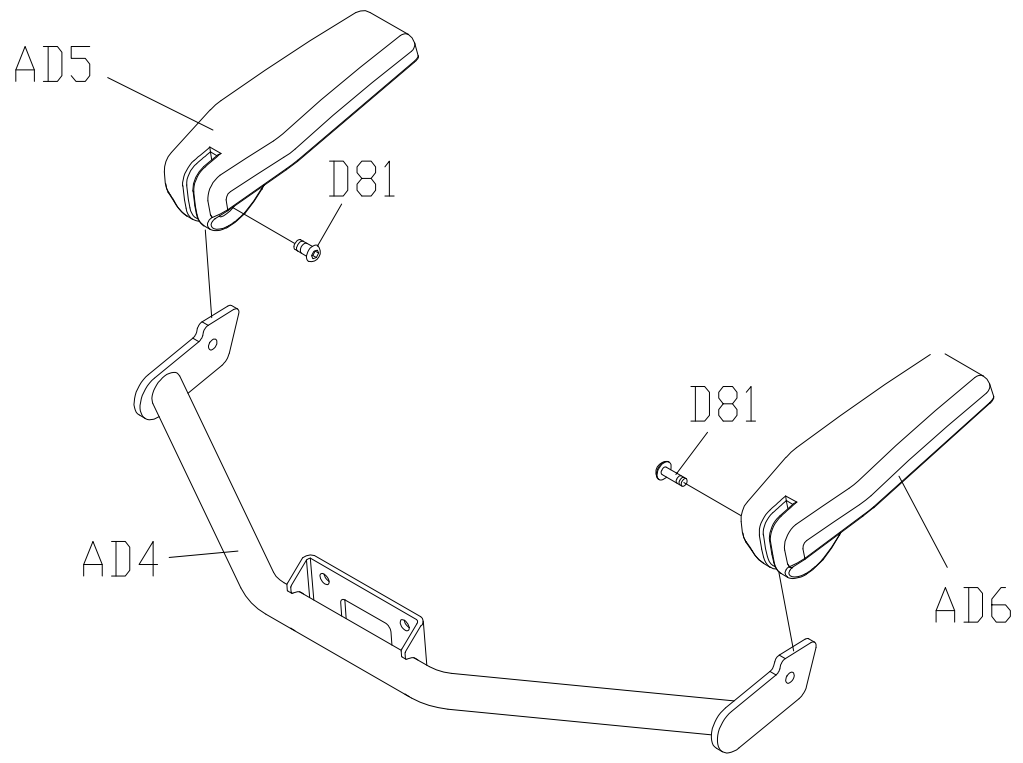
DRAWING NO	CB72-AR2		
PART NAME	Transmission Set		
PART NO	0000090820		C
APPROVE	sammi	DATE	2014.05.16



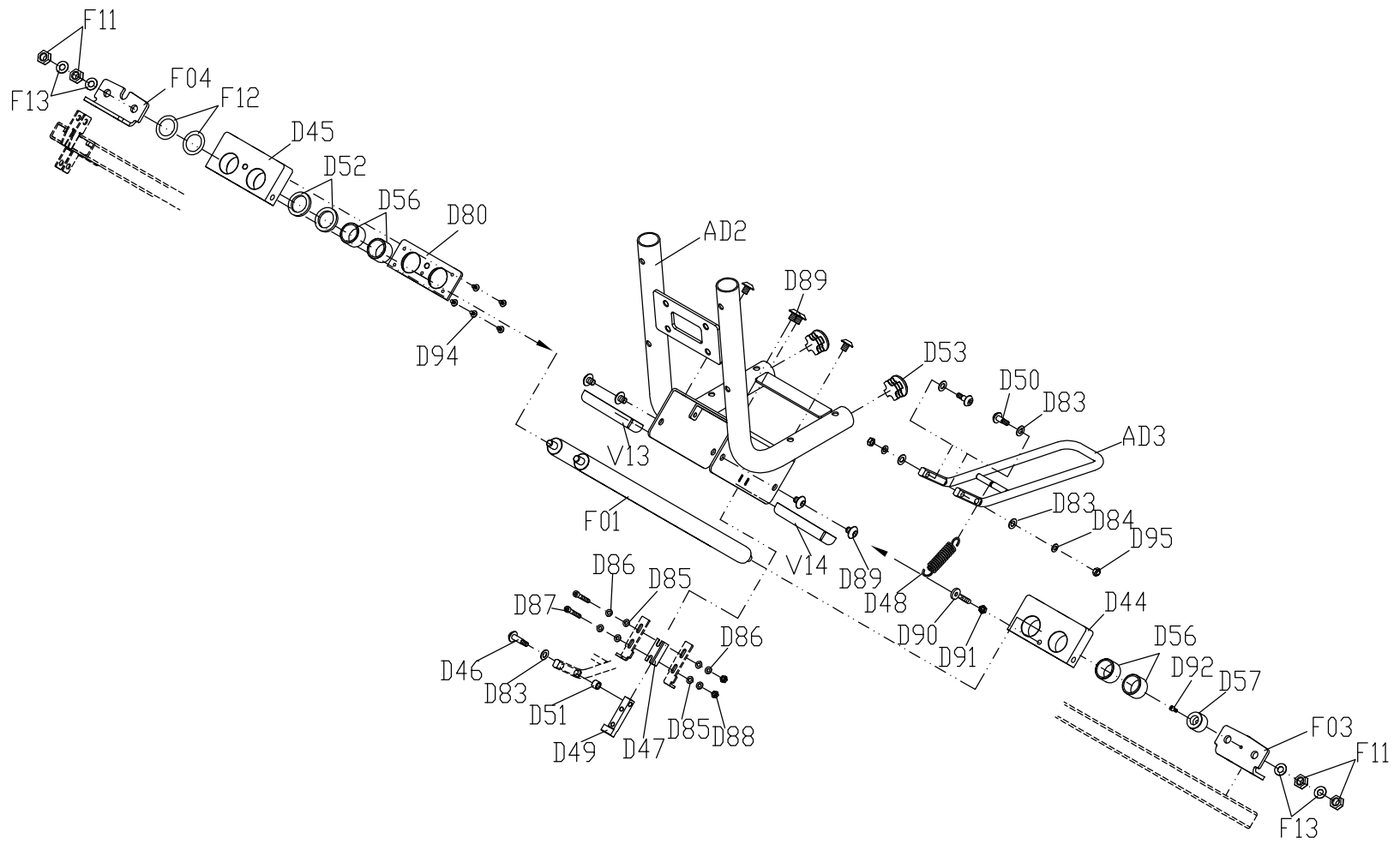
DRAWING NO	CB72-AT100		
PART NAME	Pedal Axle Set;+Crank		
PART NO	1000387880	REV	C
APPROVE	Lewis	DATE	053016




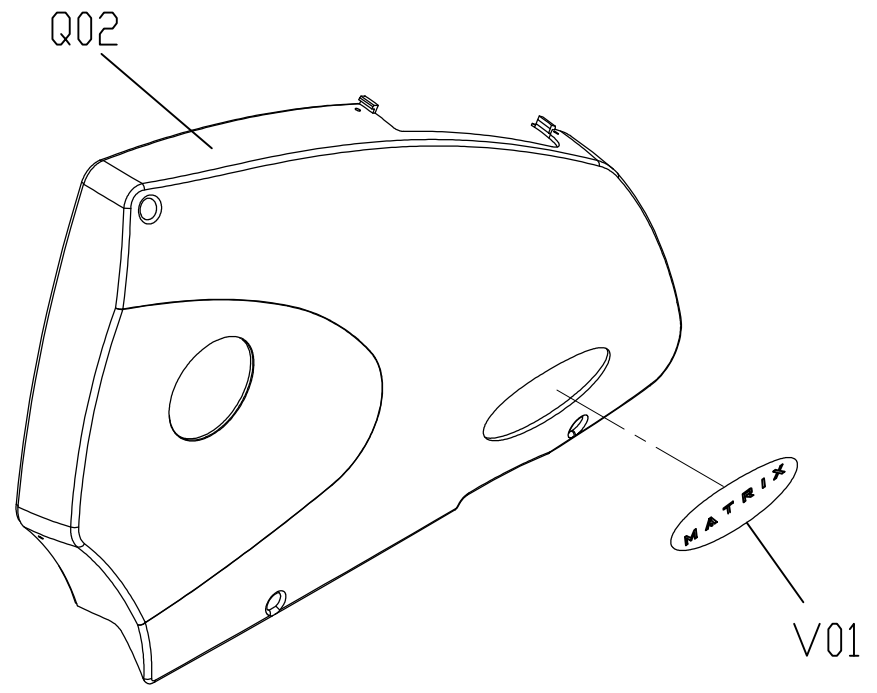
DRAWING NO	CB72-AD23		
PART NAME	Seat Handlebar Set		
PART NO	0000090800		
APPROVE	SHUYI	DATE	2010.09.17



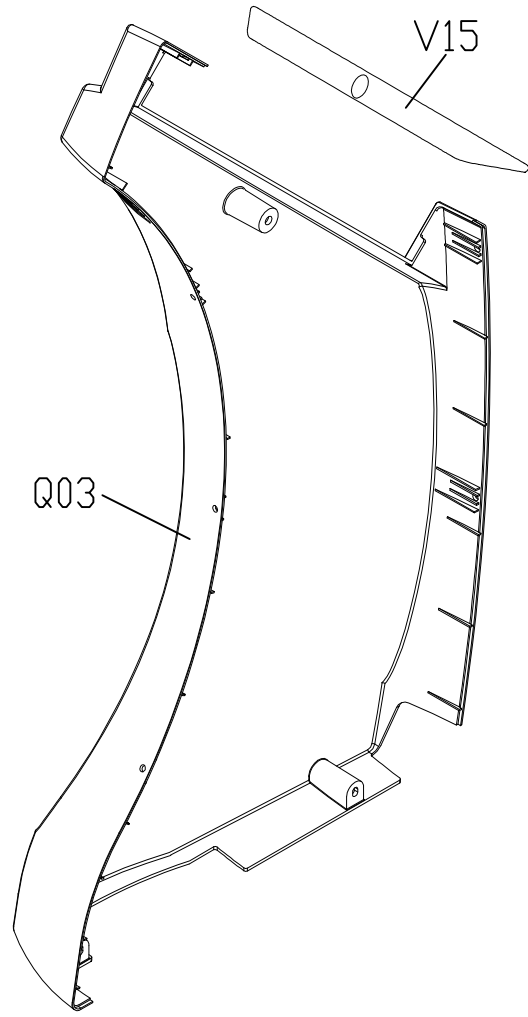
DRAWING NO	CB72-AD21		
PART NAME	Seat slider set		
PART NO	0000093120REV B		
APPROVE	SHUYI	DATE	112609



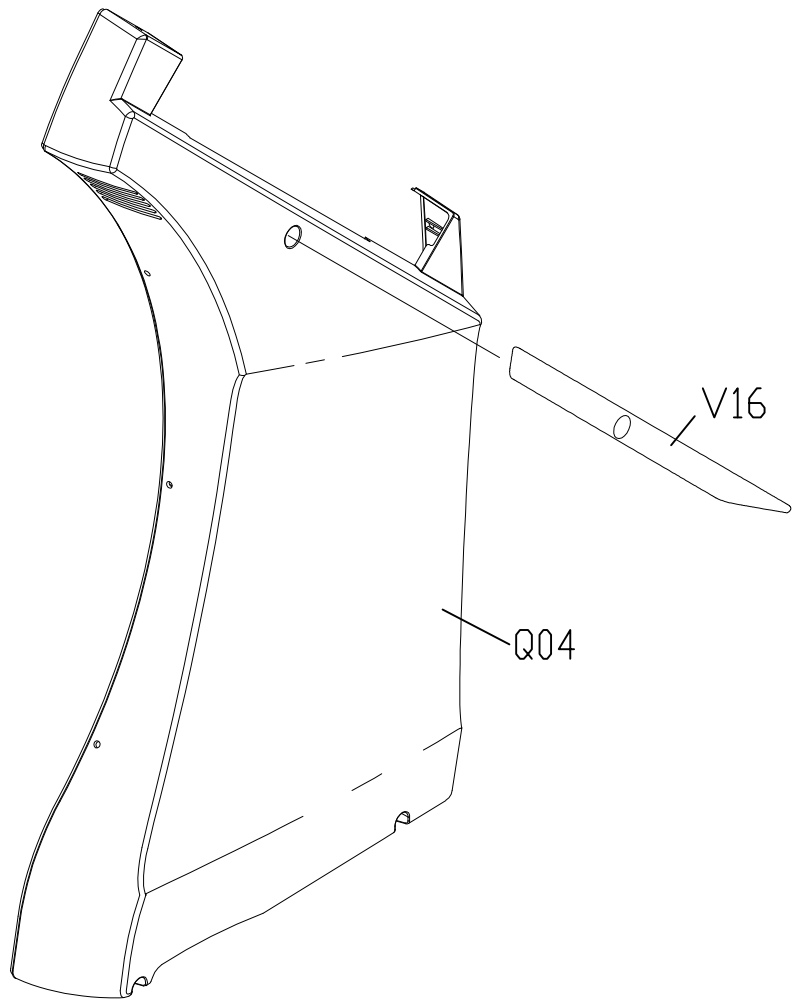
DRAWING NO	CB72B-AQ22		
PART NAME	Cover Set;Right;Front		
PART NO	1000216386  A		
APPROVE	KEN	DATE	050311



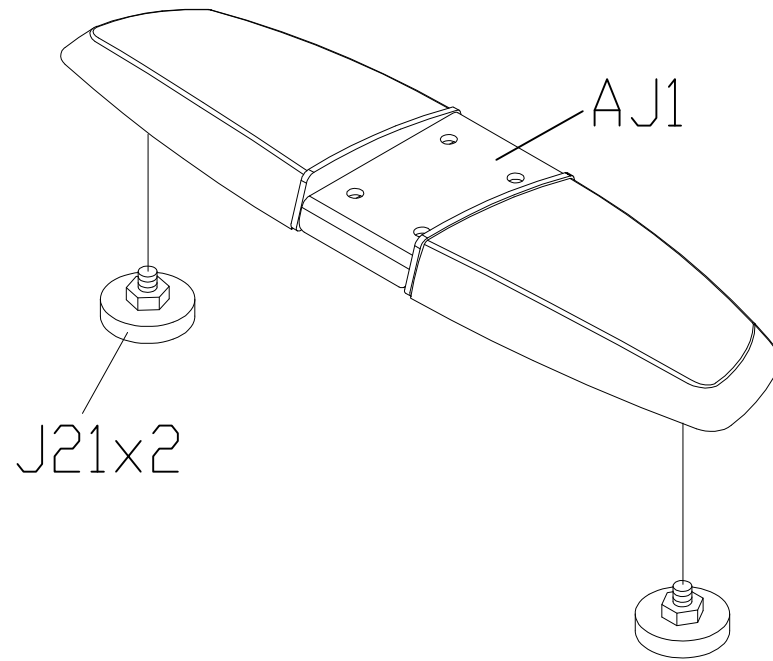
DRAWING NO	CB72-AQ23		
PART NAME	Cover Set;Left;Front		
PART NO	0000090817		
APPROVE	SHUYI	DATE	2010.12.03



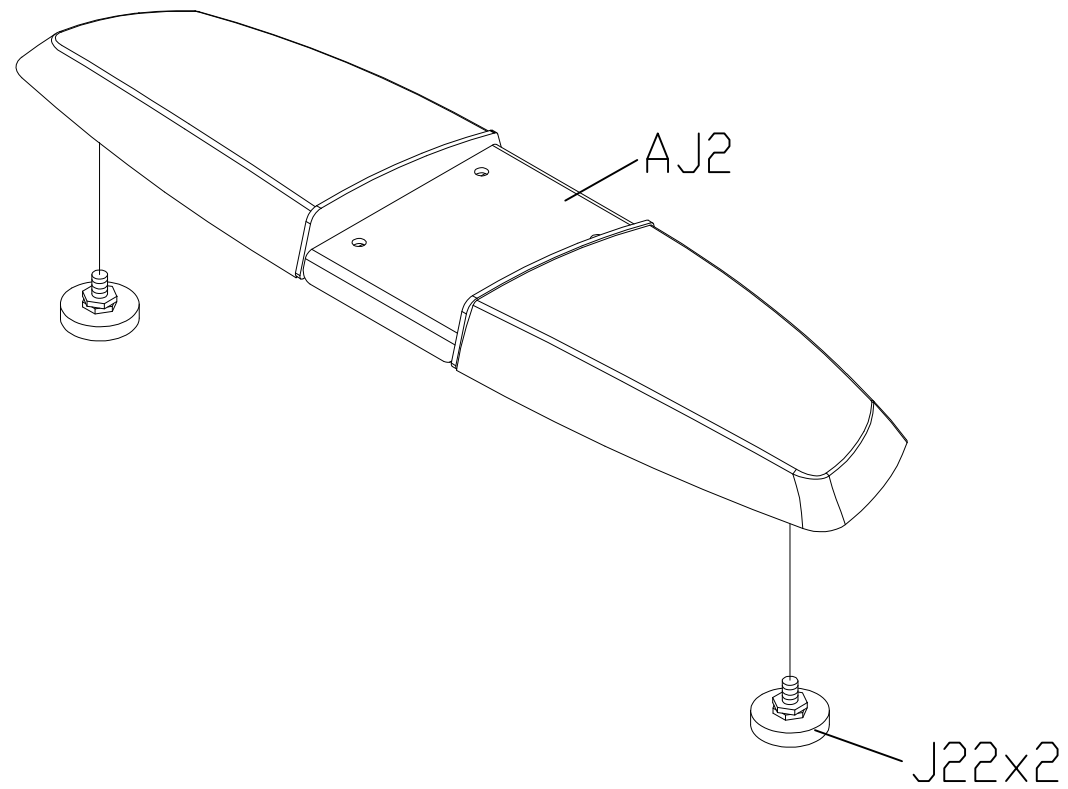
DRAWING NO	CB72-AQ24		
PART NAME	Cover Set;Left;Front		
PART NO	0000090818		
APPROVE	SHUYI	DATE	2010.12.03




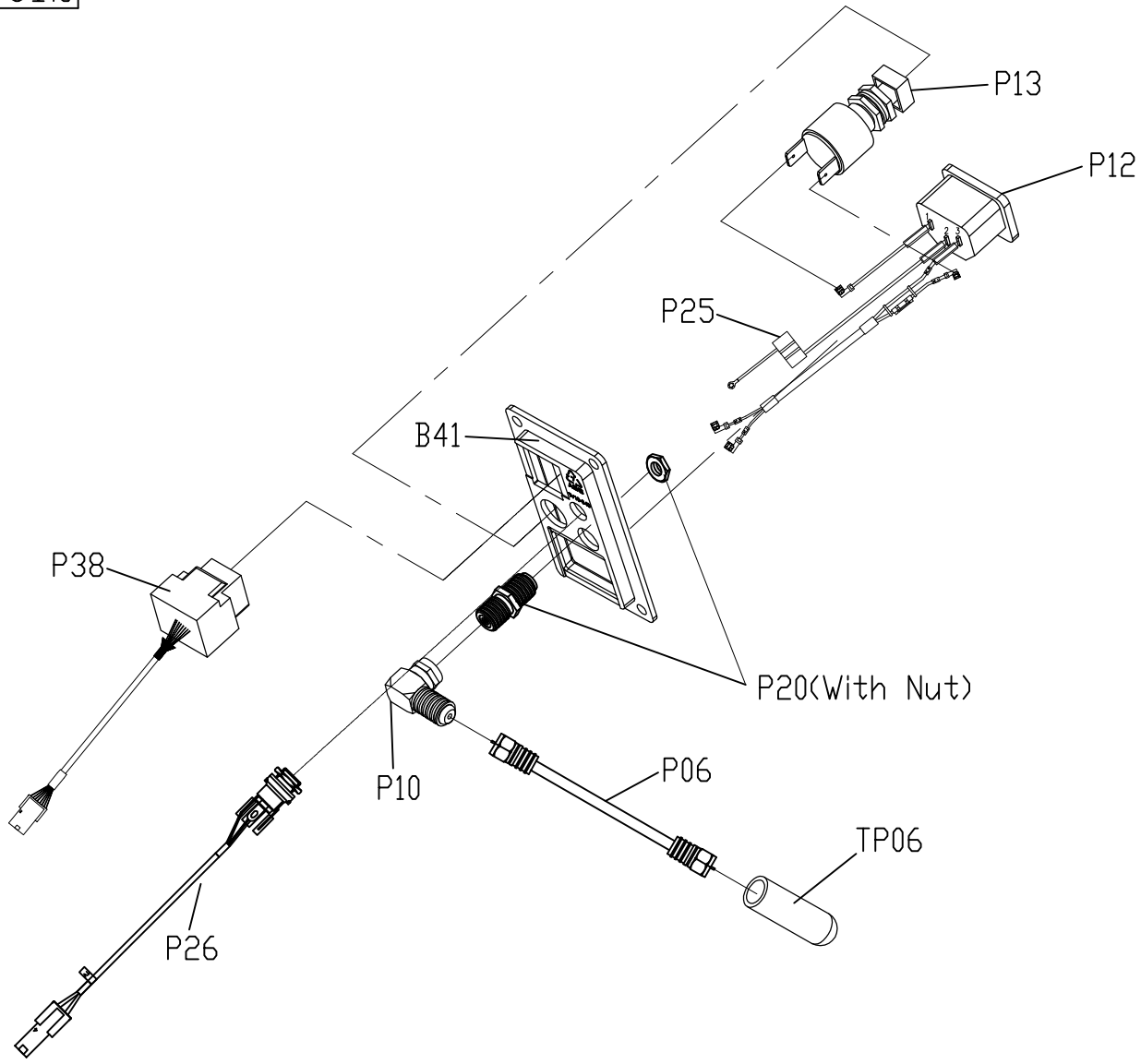
DRAWING NO	CB72-AJ11		
PART NAME	Stabilize SET;Front		
PART NO	0000090810 B		
APPROVE	SHUYI	DATE	2010.12.03



DRAWING NO	CB72-AJ12		
PART NAME	Stabilize SET;Rear		
PART NO	0000090809 B		
APPROVE	SHUYI	DATE	2010.12.03

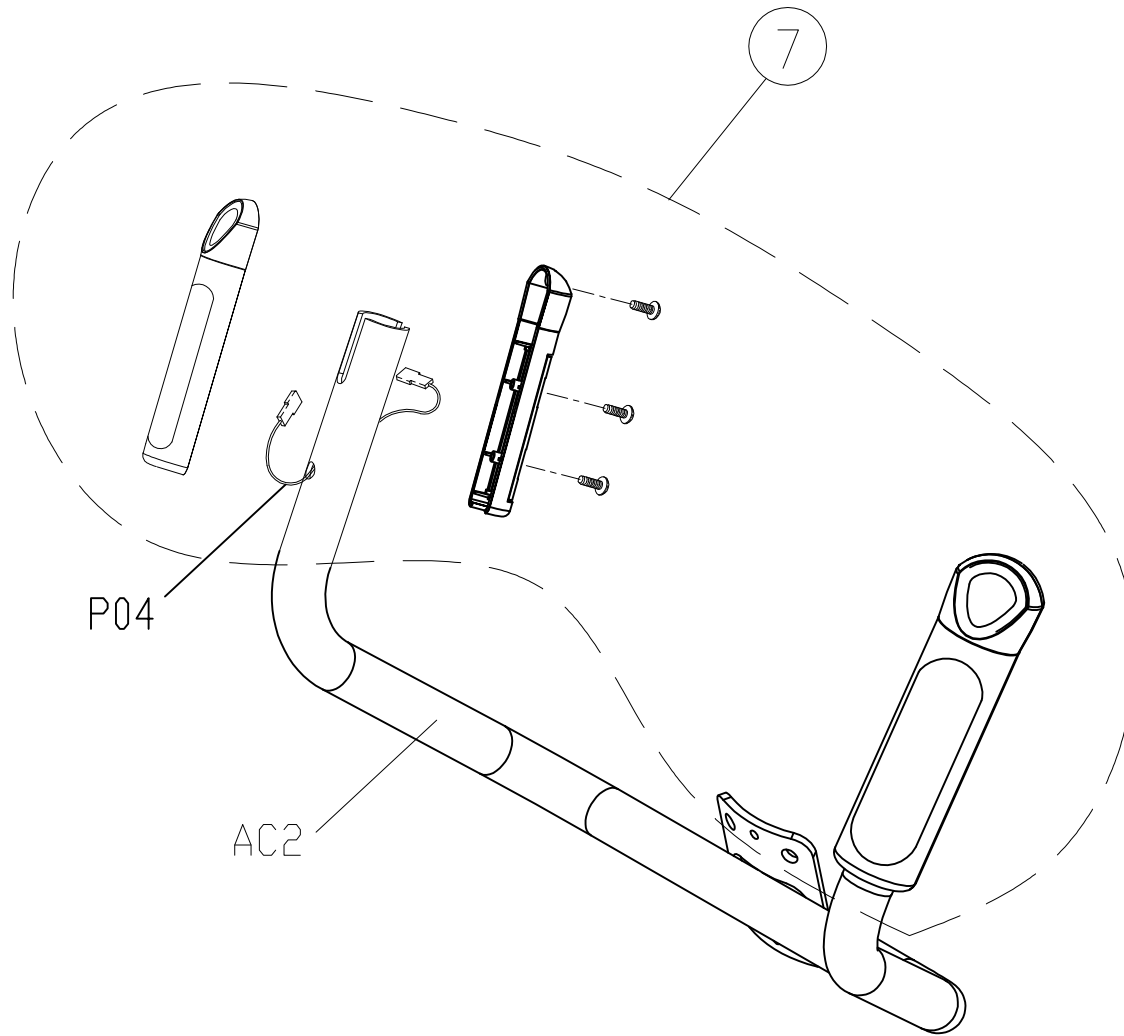



DRAWING NO	CB72B-AP11		
PART NAME	Fix Plate Set;E-Port		
PART NO	1000230703  A		
APPROVE	YUTING	DATE	030612

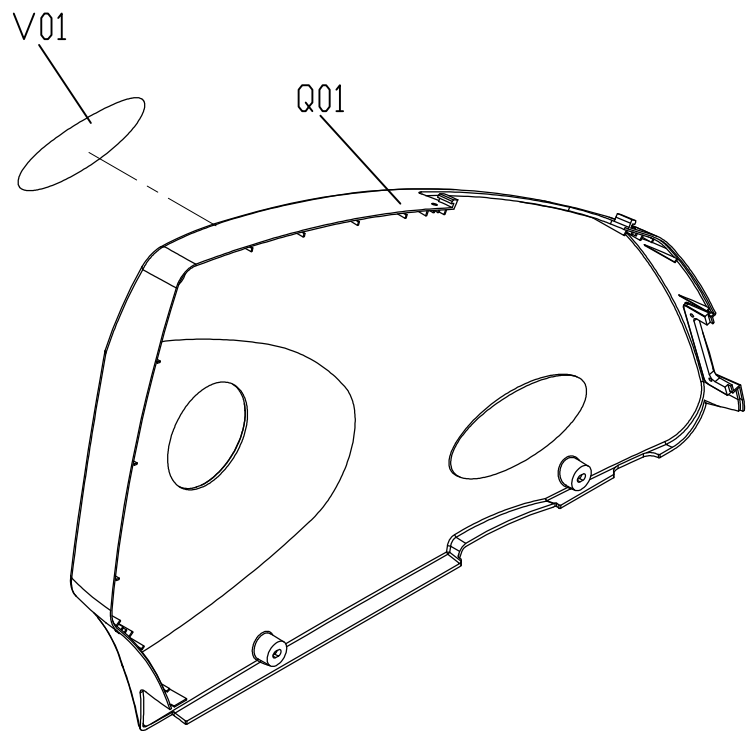


DRAWING NO	CB72-AC12		
PART NAME	Handlebar Set		
PART NO	As Attachment  C		
APPROVE	SHUYI	DATE	2010.09.16

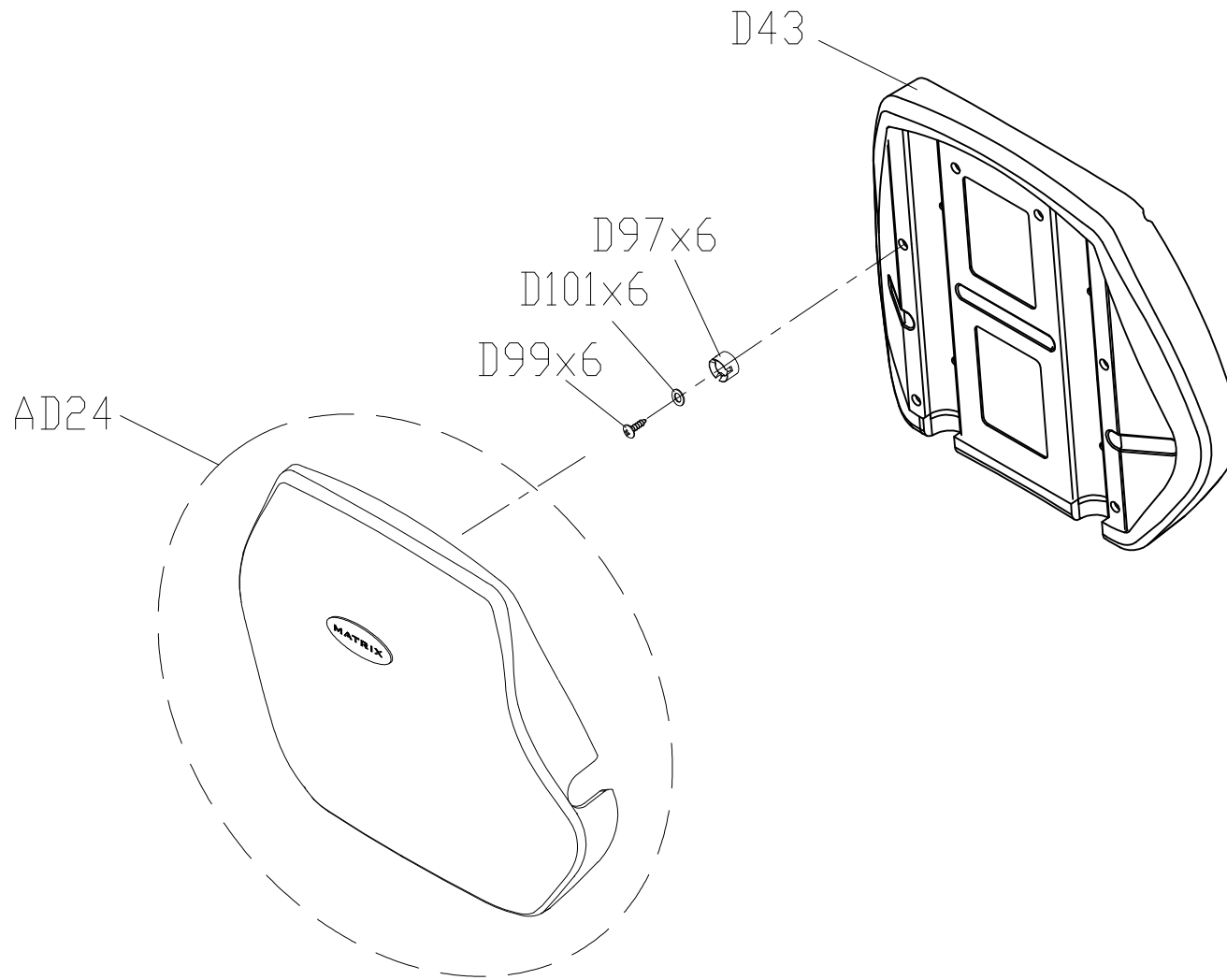
Part NO	Description
0000093118	Handlebar Set;English;H5x-F
0000093246	Handlebar Set;Japan;H5x-F
0000092538	Handlebar Set;English;H3x-01
0000092983	Handlebar Set;Japan;H3x



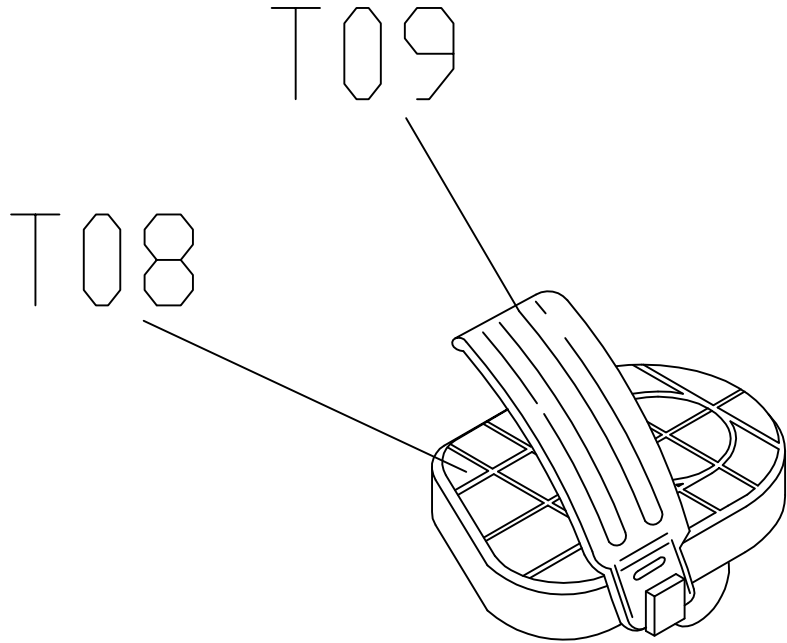
DRAWING NO	CB72B-AQ21		
PART NAME	Cover Set;Left;Front		
PART NO	1000216383  A		
APPROVE	KEN	DATE	050311



DRAWING NO	CB72-AD22		
PART NAME	Back pad;with cover		
PART NO	0000090802		
APPROVE	SHUYI	DATE	2010.12.03



DRAWING NO	CB32B-T07		
PART NAME	PEDAL SET		
PART NO	014724-A		
APPROVE	JohnW	DATE	20160619



DRAWING NO	CB72-AC15		
PART NAME	Grip Set;Sensor;Right		
PART NO	As Attachment		
APPROVE	Rain	DATE	2011.04.28

