
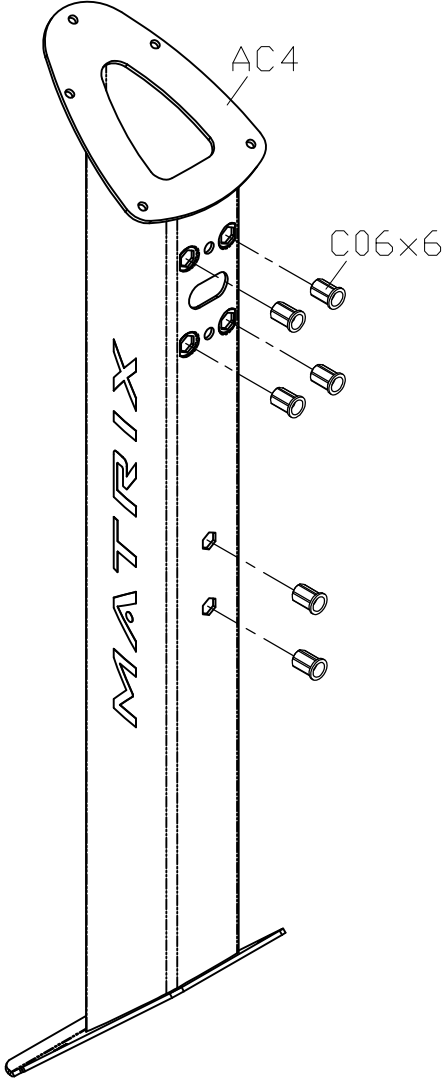
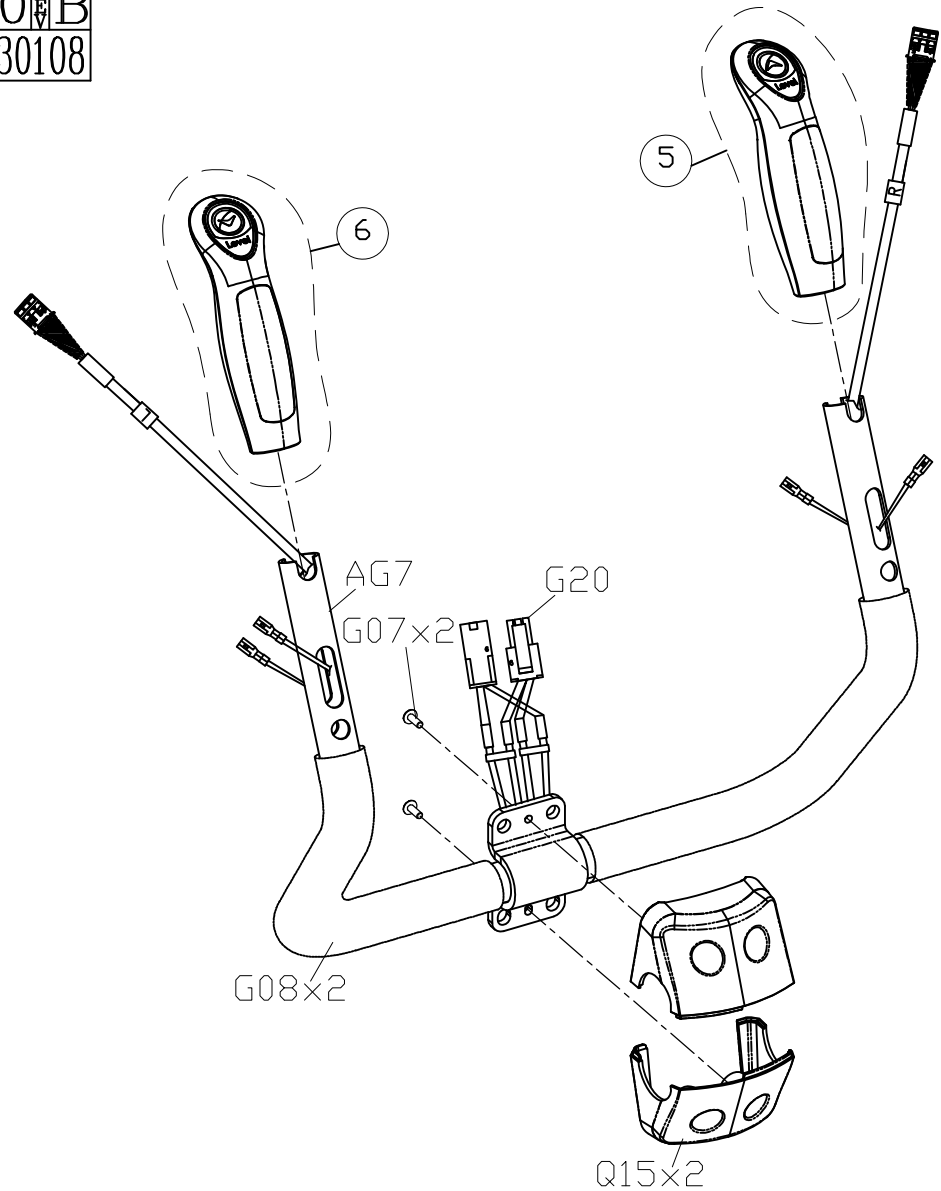


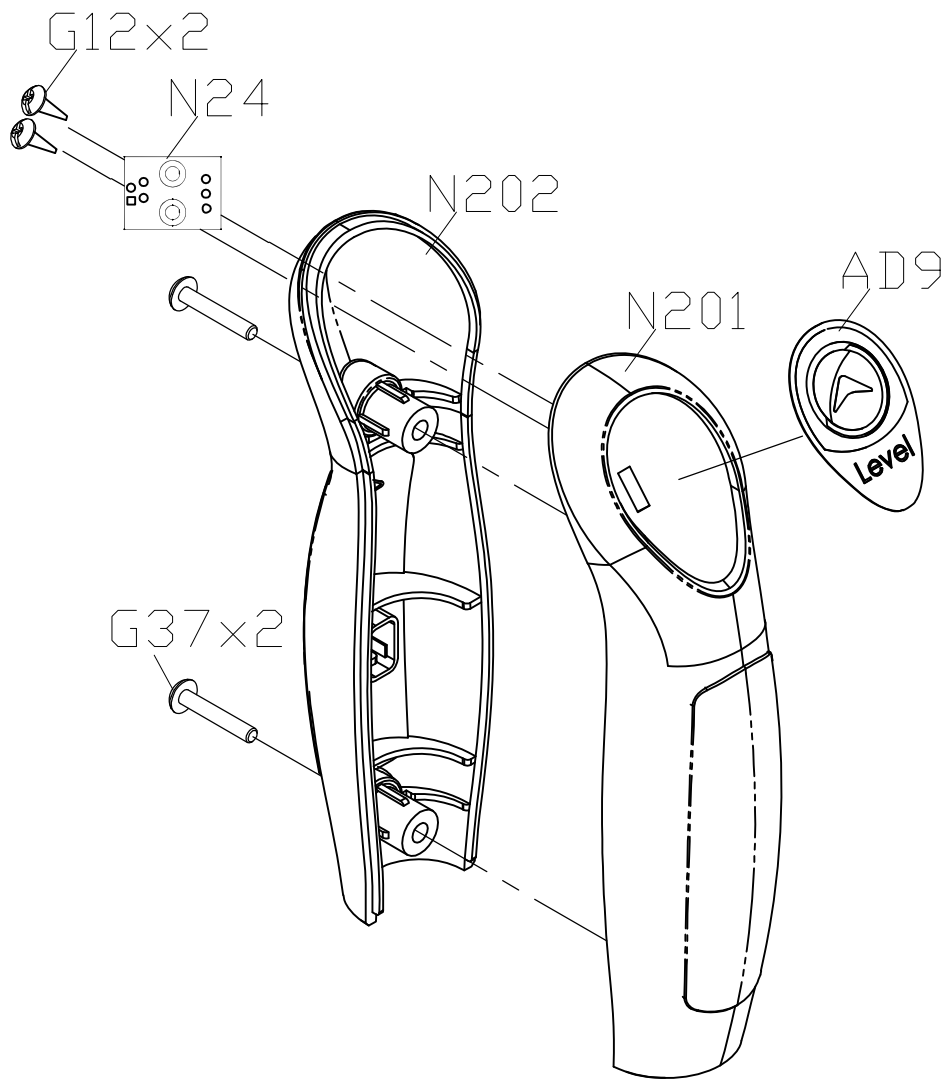
DRAWING NO	CB93-AC3		
PART NAME	CONSOLE MAST SET		
PART NO	1000230317		C
APPROVE	HERMES	DATE	20130312



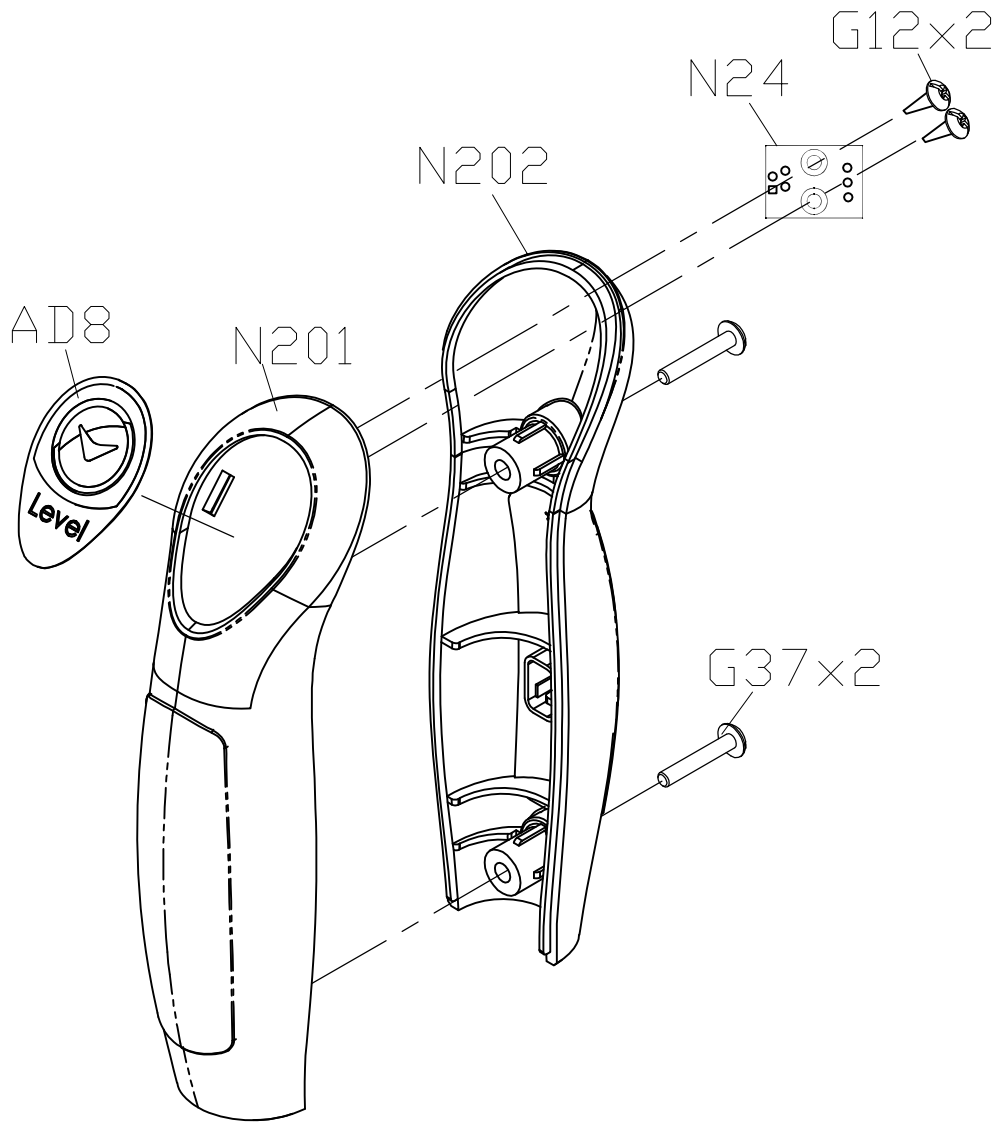
DRAWING NO	CB93-AG2
PART NAME	Handle Bar Set
PART NO	1000230320 REV B
APPROVE	HERMES DATE 20130108



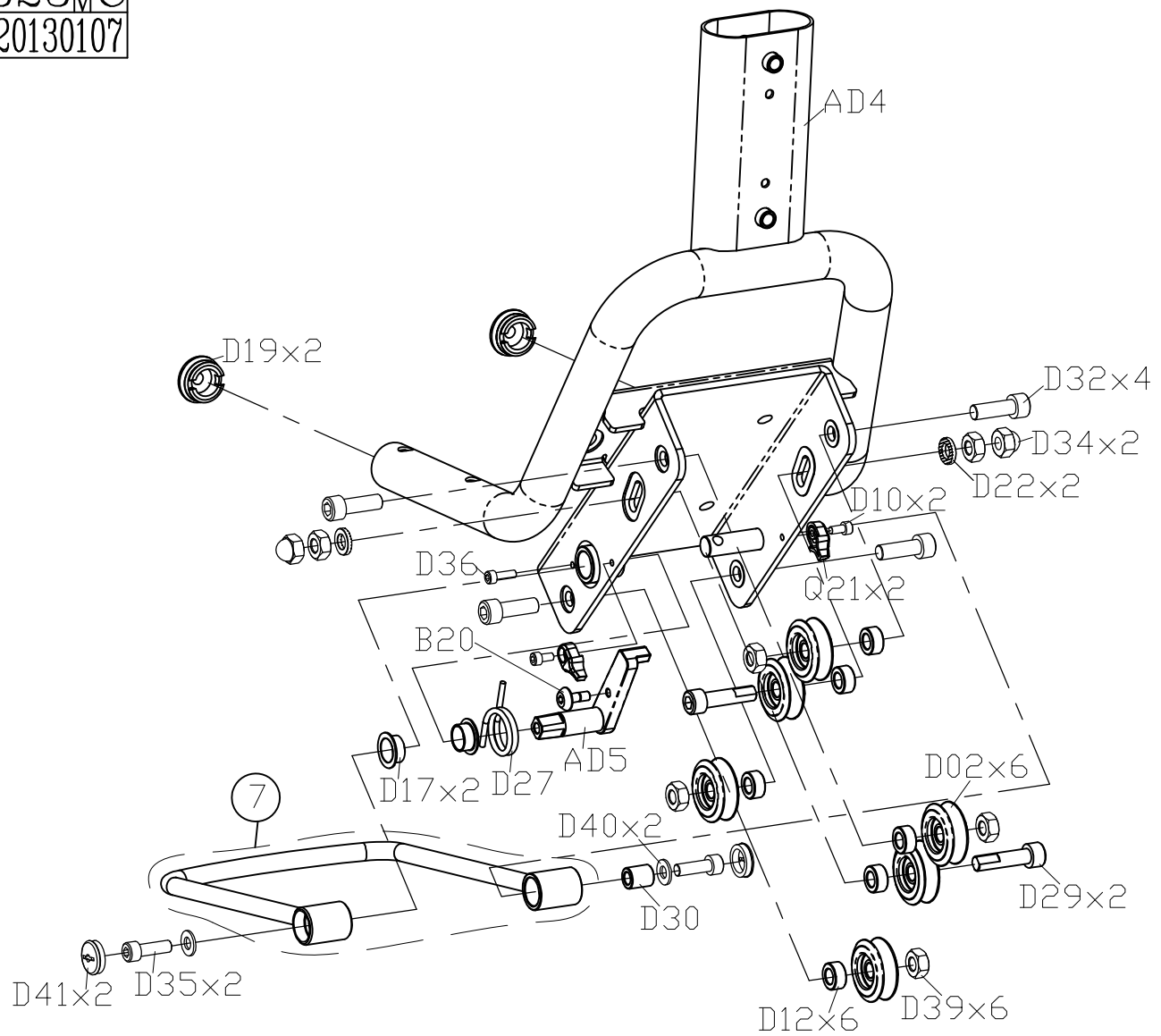
DRAWING NO	CB93-AG7		
PART NAME	Heart Sensor Set;Grip;R		
PART NO	1000302039		
APPROVE	HERMES	DATE	20130108



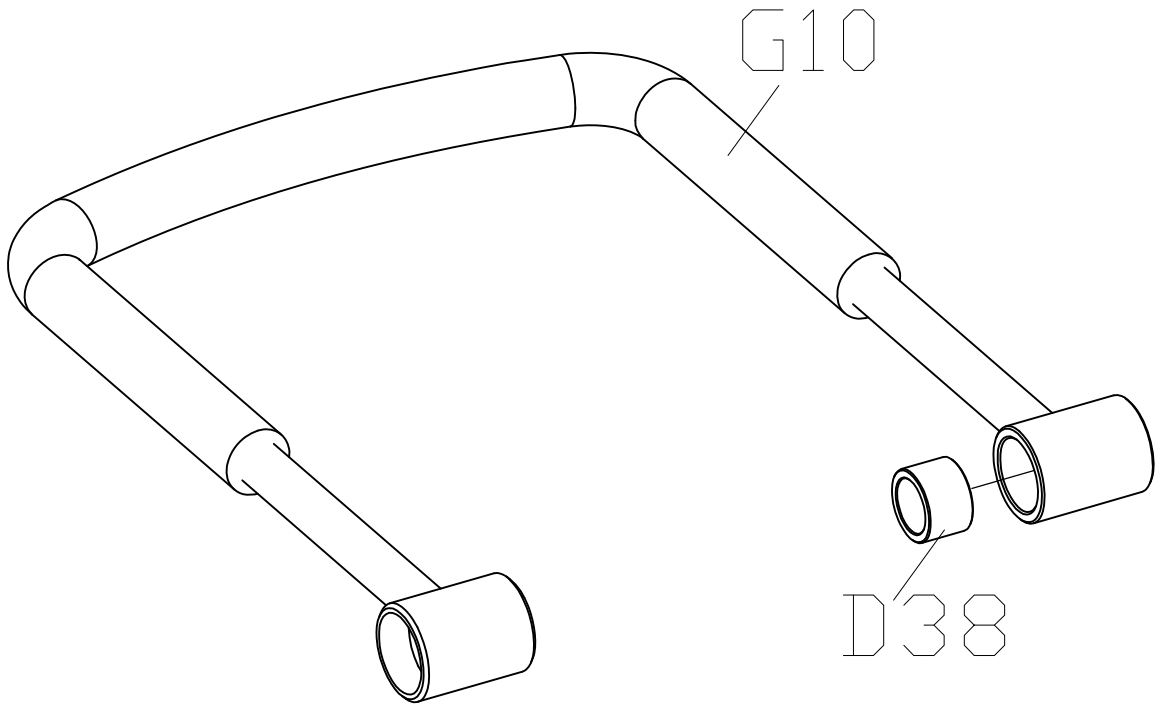
DRAWING NO	CB93-AG8		
PART NAME	Heart Sensor Set;Grip:L		
PART NO	1000302043		
APPROVE	HERMES	DATE	20130108



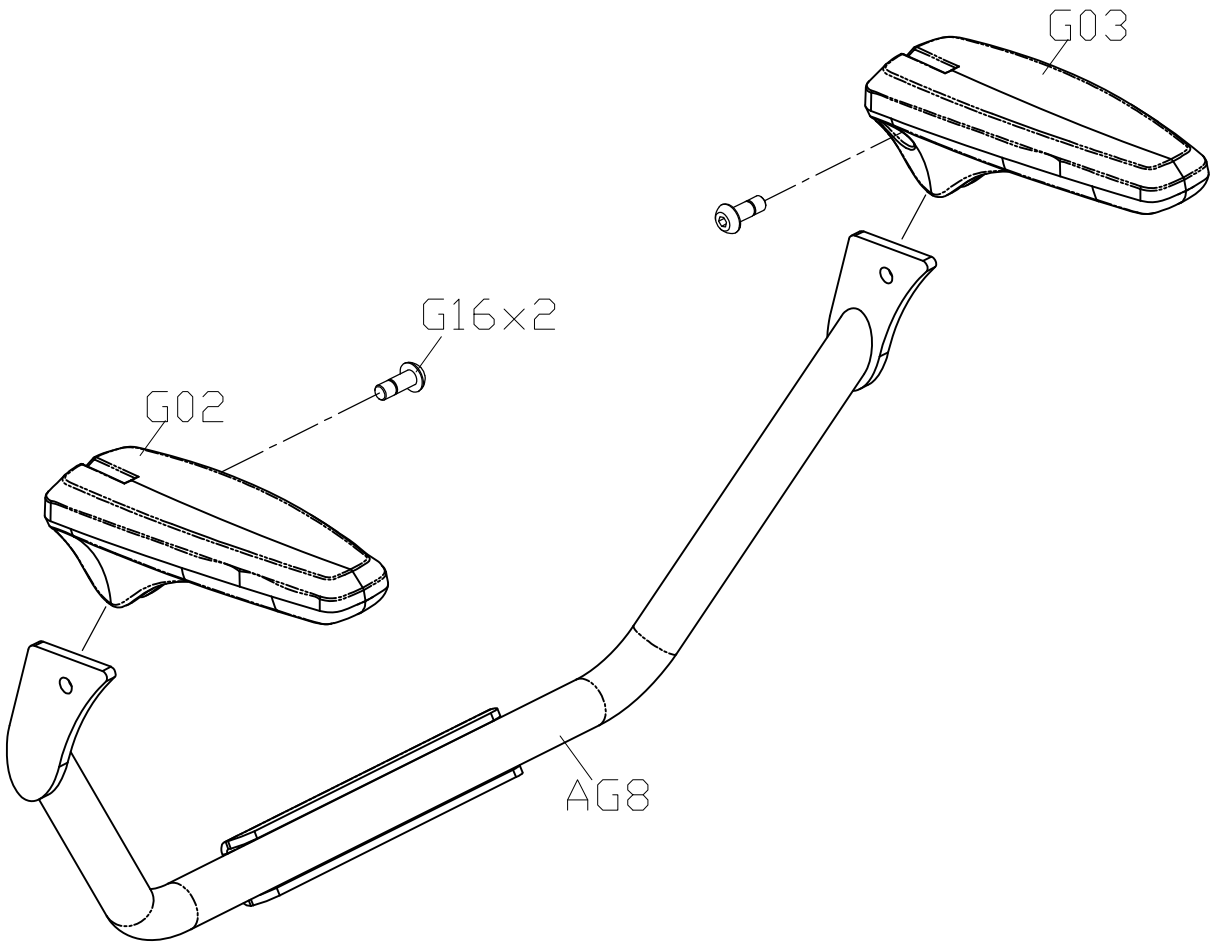
DRAWING NO	CB93-AD6		
PART NAME	Slide Frame Set		
PART NO	1000230323		
APPROVE	HERMES	DATE	20130107



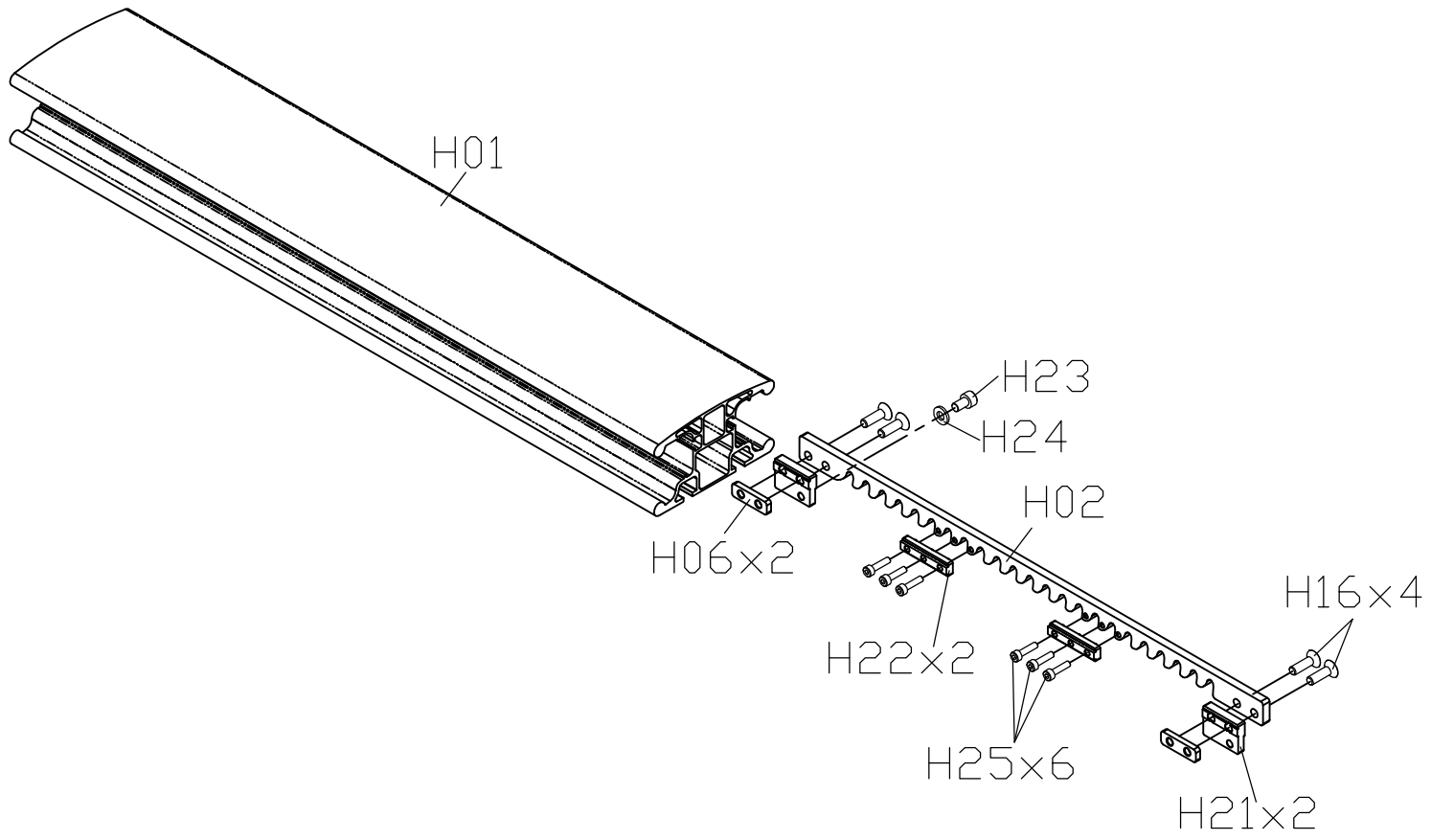
DRAWING NO	CB93-AG11		
PART NAME	ADJ Handlebar Set		
PART NO	1000230325  B		
APPROVE	HERMES	DATE	20130108



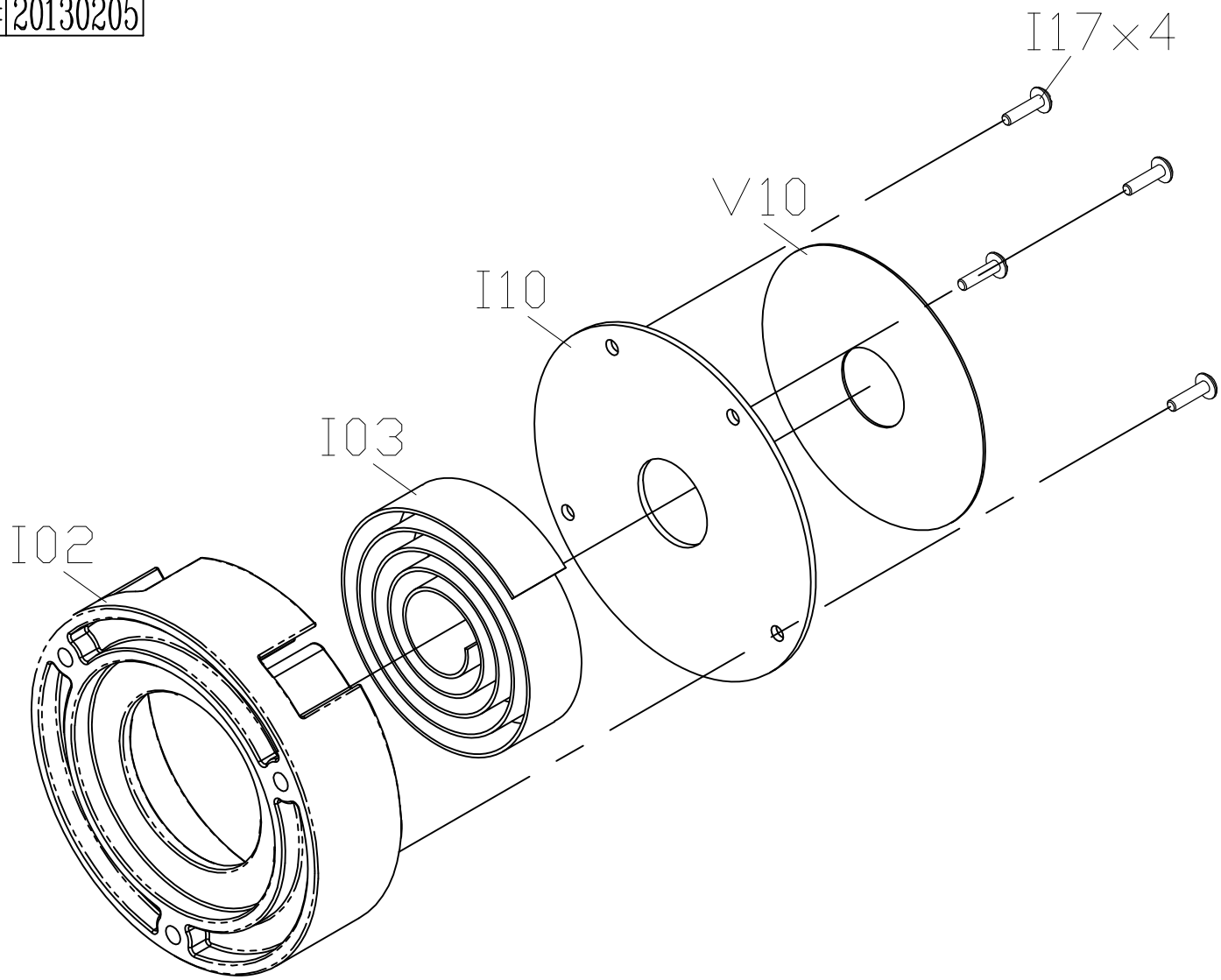
DRAWING NO	CB93-AG12		
PART NAME	Arm Rest Set		
PART NO	1000309228		B
APPROVE	HERMES	DATE	20130107



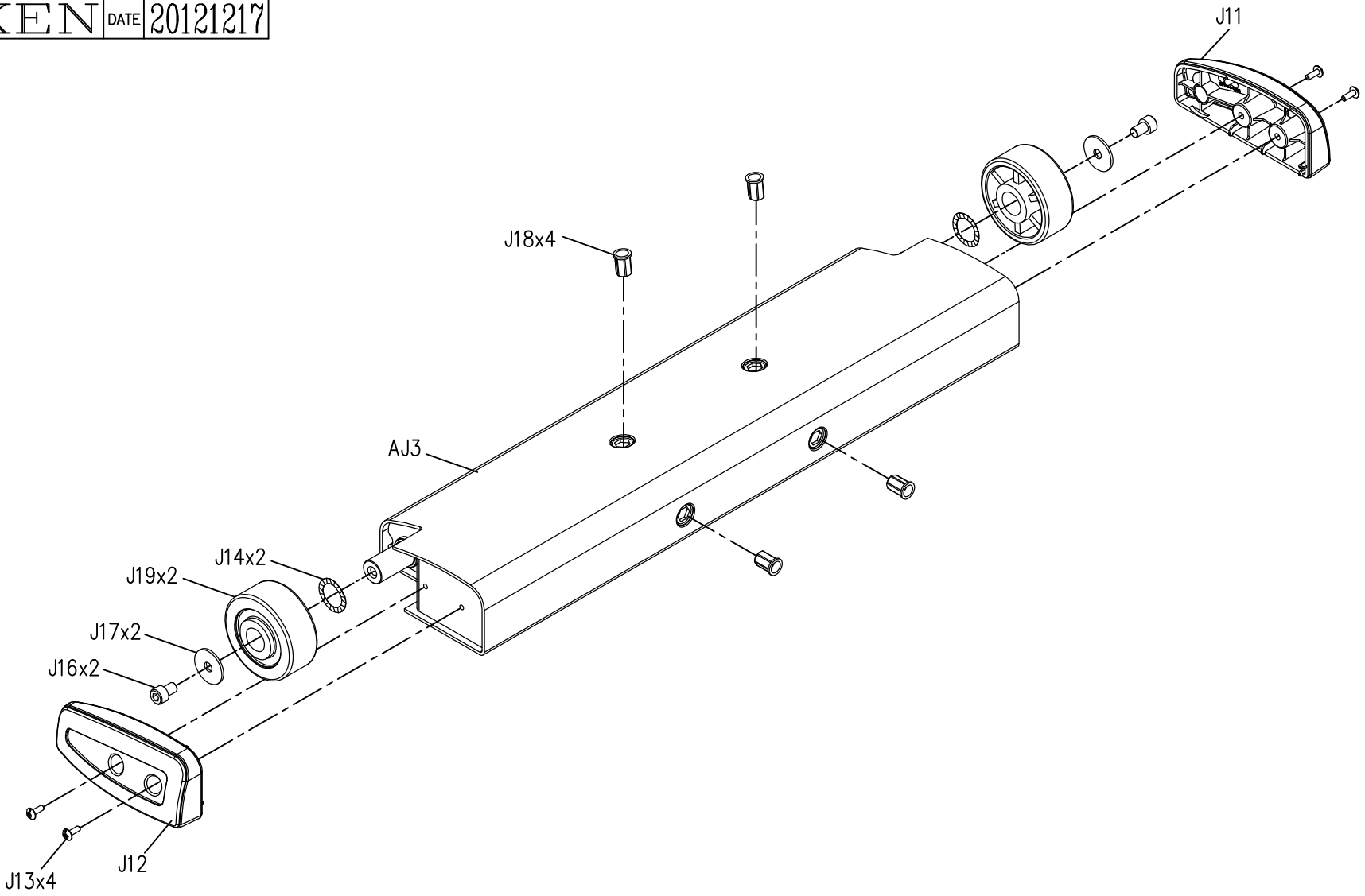
DRAWING NO	CB93-AH2		
PART NAME	Guide rail set		
PART NO	1000306300	REV	C
APPROVE	HERMES	DATE	20130528



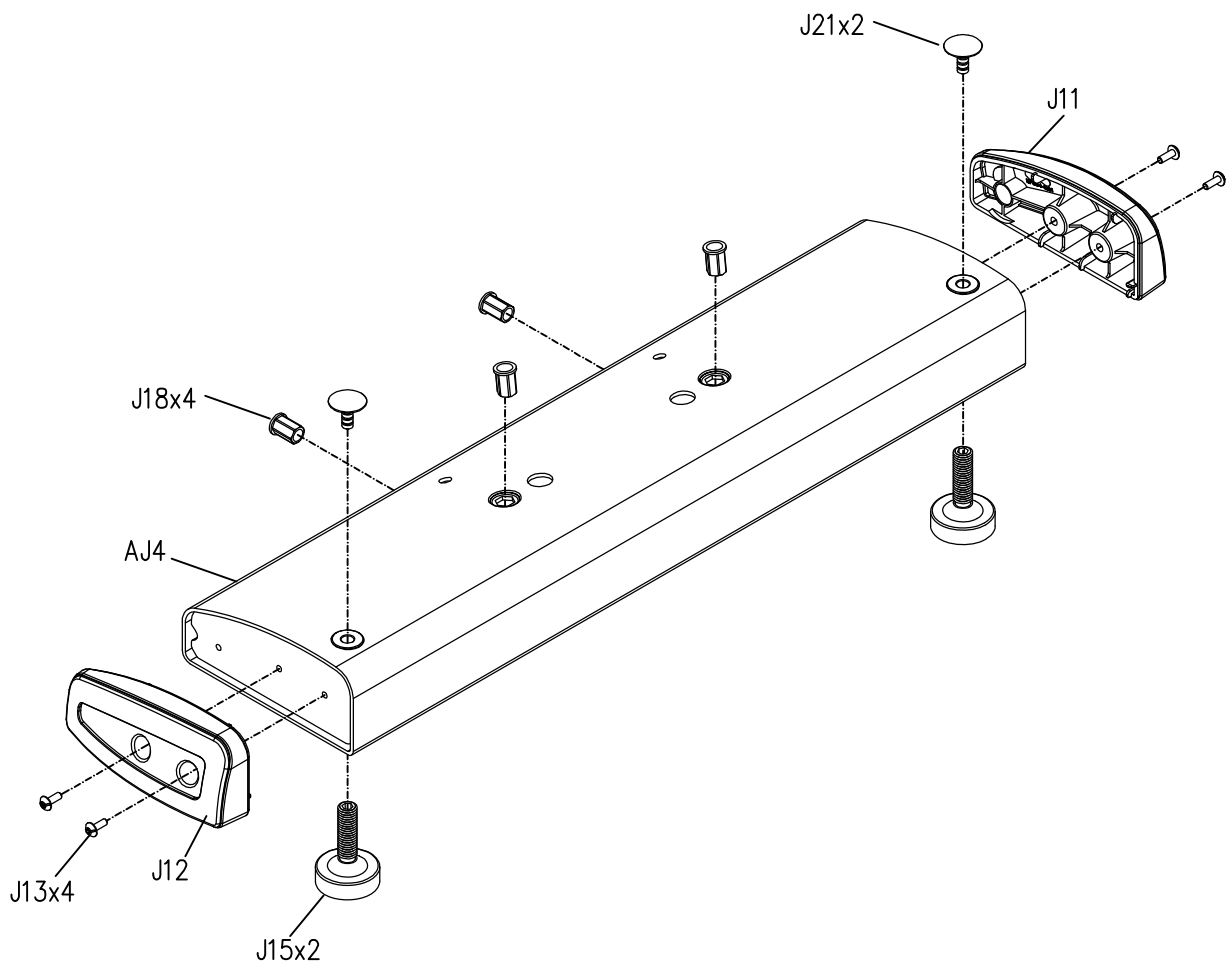
DRAWING NO	CB93-AI2
PART NAME	Spring Set;Spiral
PART NO	1000230457
APPROVE	HERMES
DATE	20130205




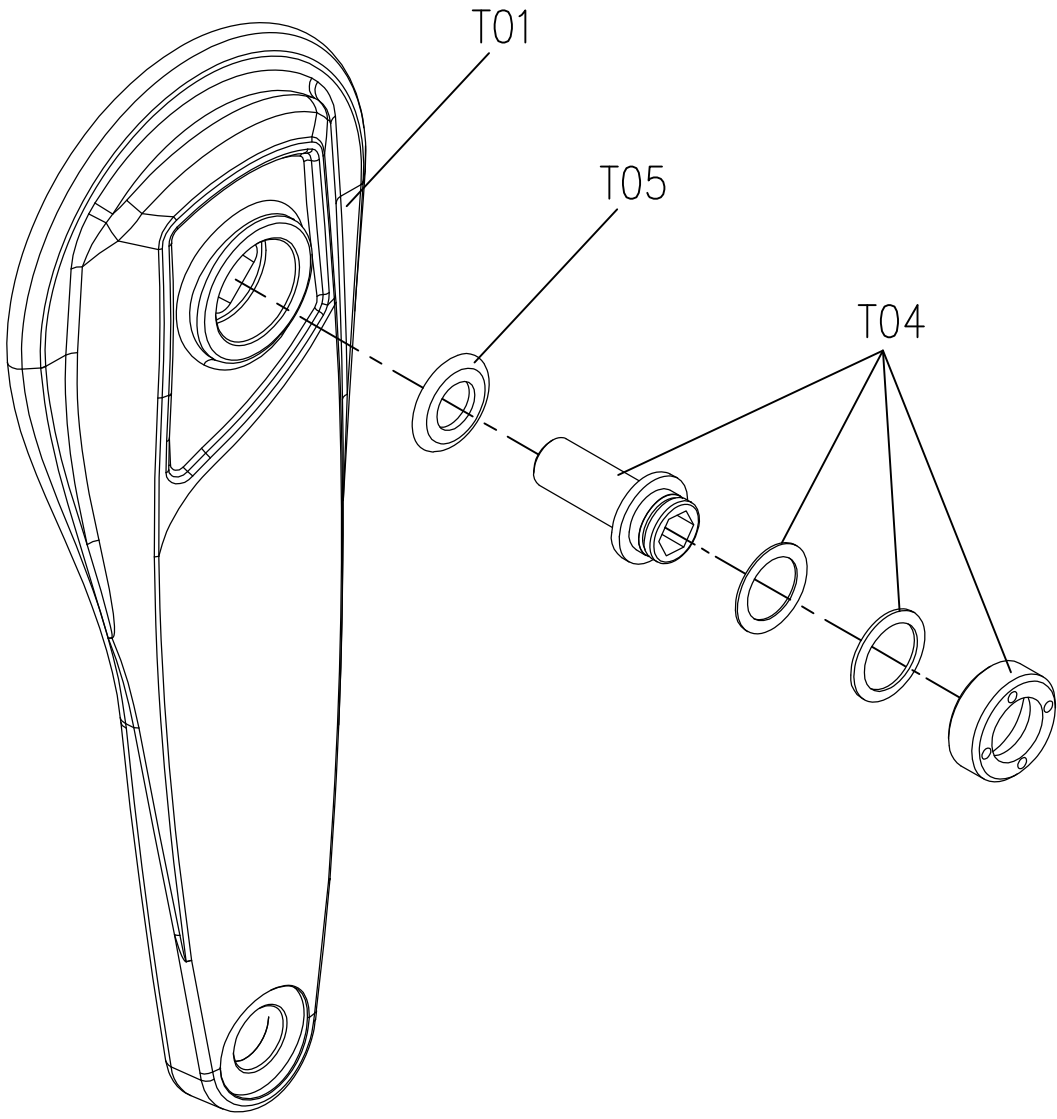
DRAWING NO	CB92-AJ5		
PART NAME	Stabilizer SET;F		
PART NO	1000230015		
APPROVE	KEN	DATE	20121217




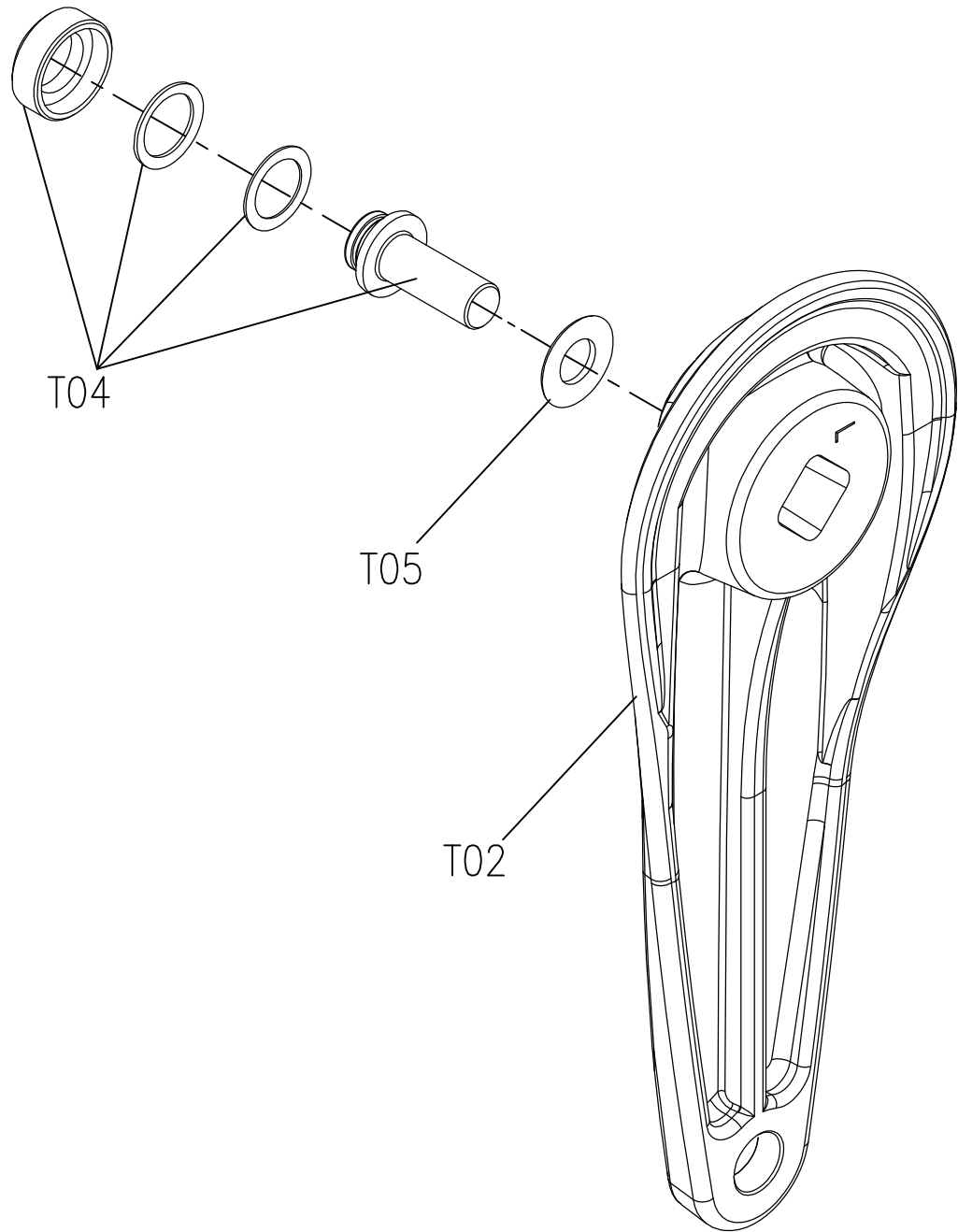
DRAWING NO	CB92-AJ6		
PART NAME	Stabilizer SET;R		
PART NO	1000230023		B
APPROVE	KEN	DATE	20121217



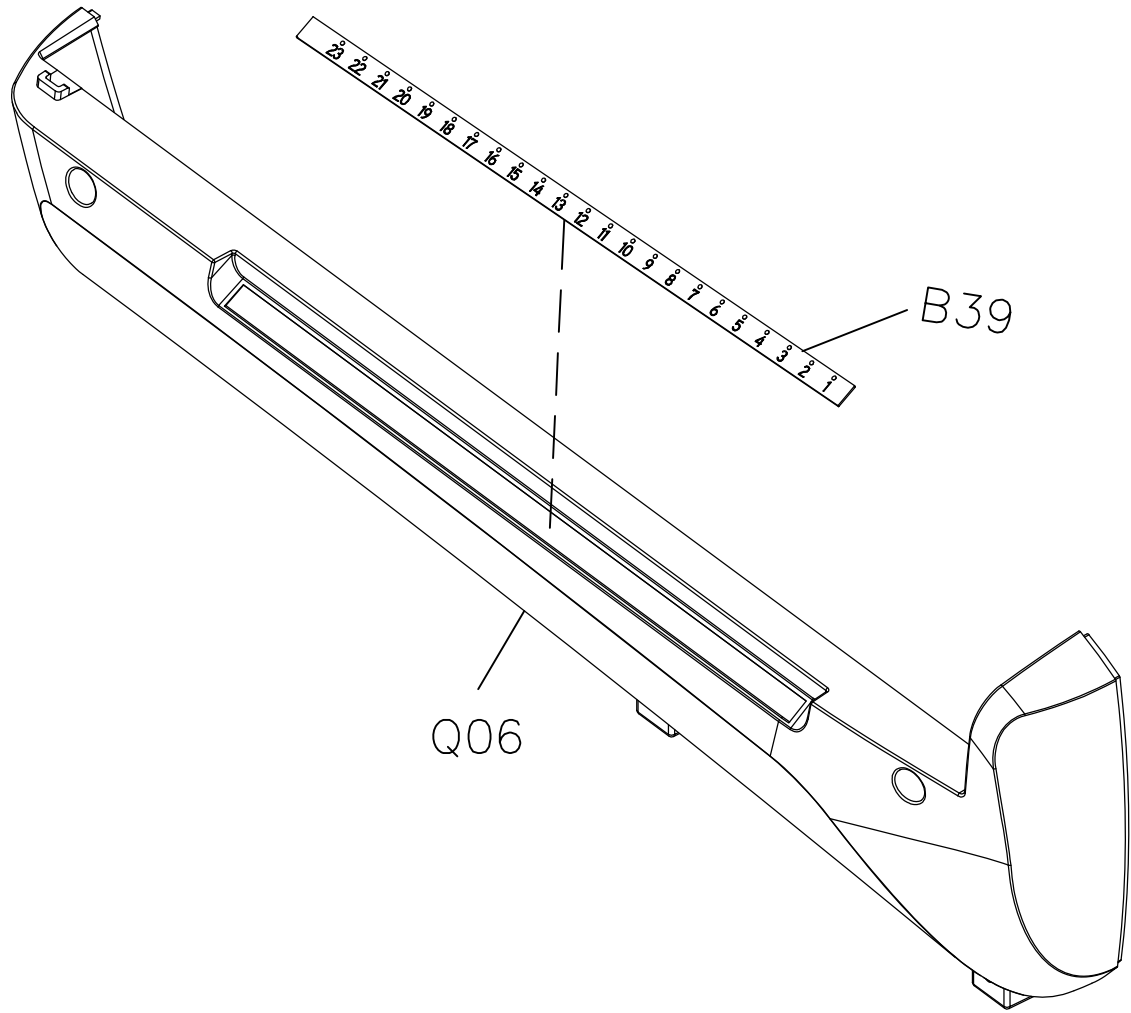
DRAWING NO	CB92-AT11		
PART NAME	Crank Set;R		
PART NO	1000230347		B
APPROVE	KEN	DATE	20121217



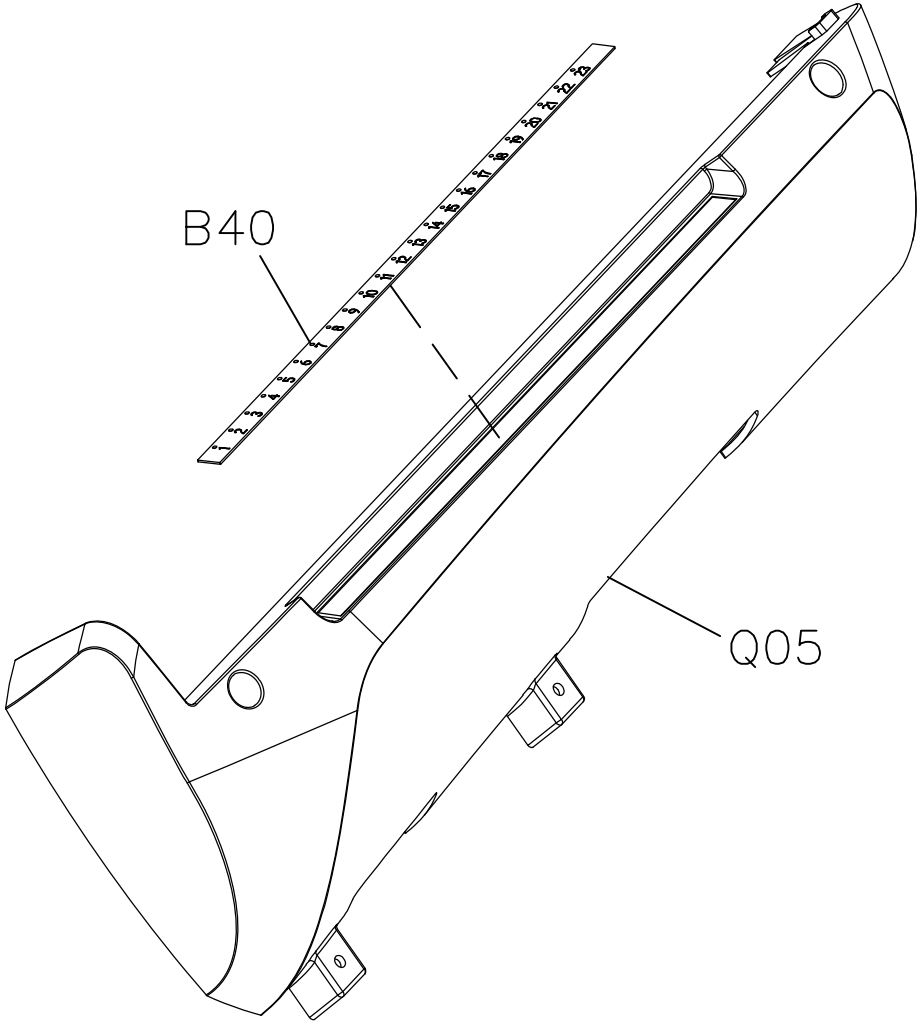
DRAWING NO	CB92-AT12		
PART NAME	Crank Set;L		
PART NO	1000230350		B
APPROVE	KEN	DATE	20121217




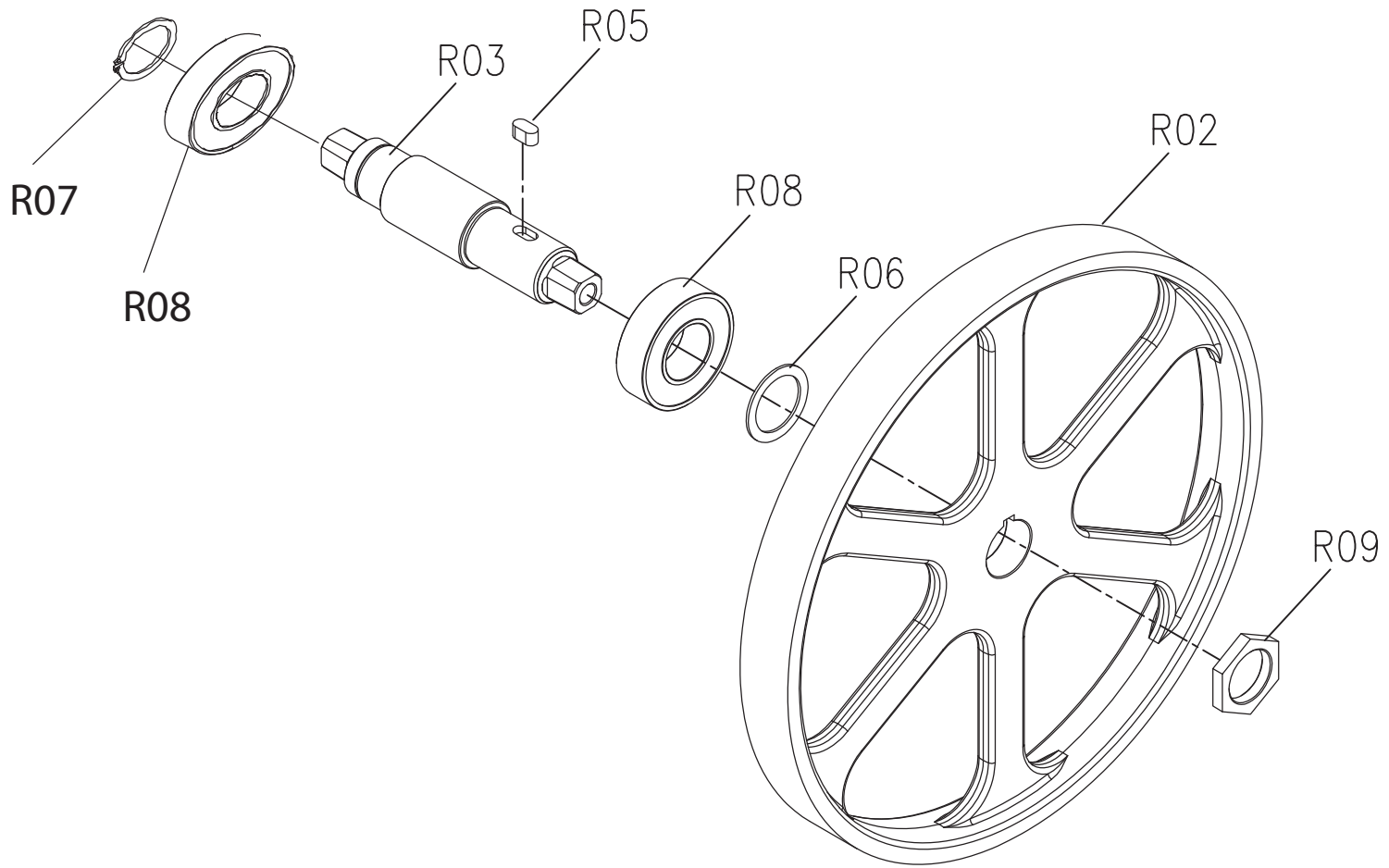
DRAWING NO	RB307-AQ4		
PART NAME	Right Guild Rail Cover Set		
PART NO	1000308337  B		
APPROVE	EASON	DATE	20130205




DRAWING NO	RB307-AQ3		
PART NAME	Left Guild Rail Cover Set		
PART NO	1000308338		B
APPROVE	EASON	DATE	20130205



DRAWING NO	CB93-AR11		
PART NAME	Transmission Set		
PART NO	1000230123  C		
APPROVE	KEN	DATE	20121217



DRAWING NO	CB92-AU3		
PART NAME	Idler Fix Plate Set		
PART NO	1000230354  B		
APPROVE	KEN	DATE	20121217

