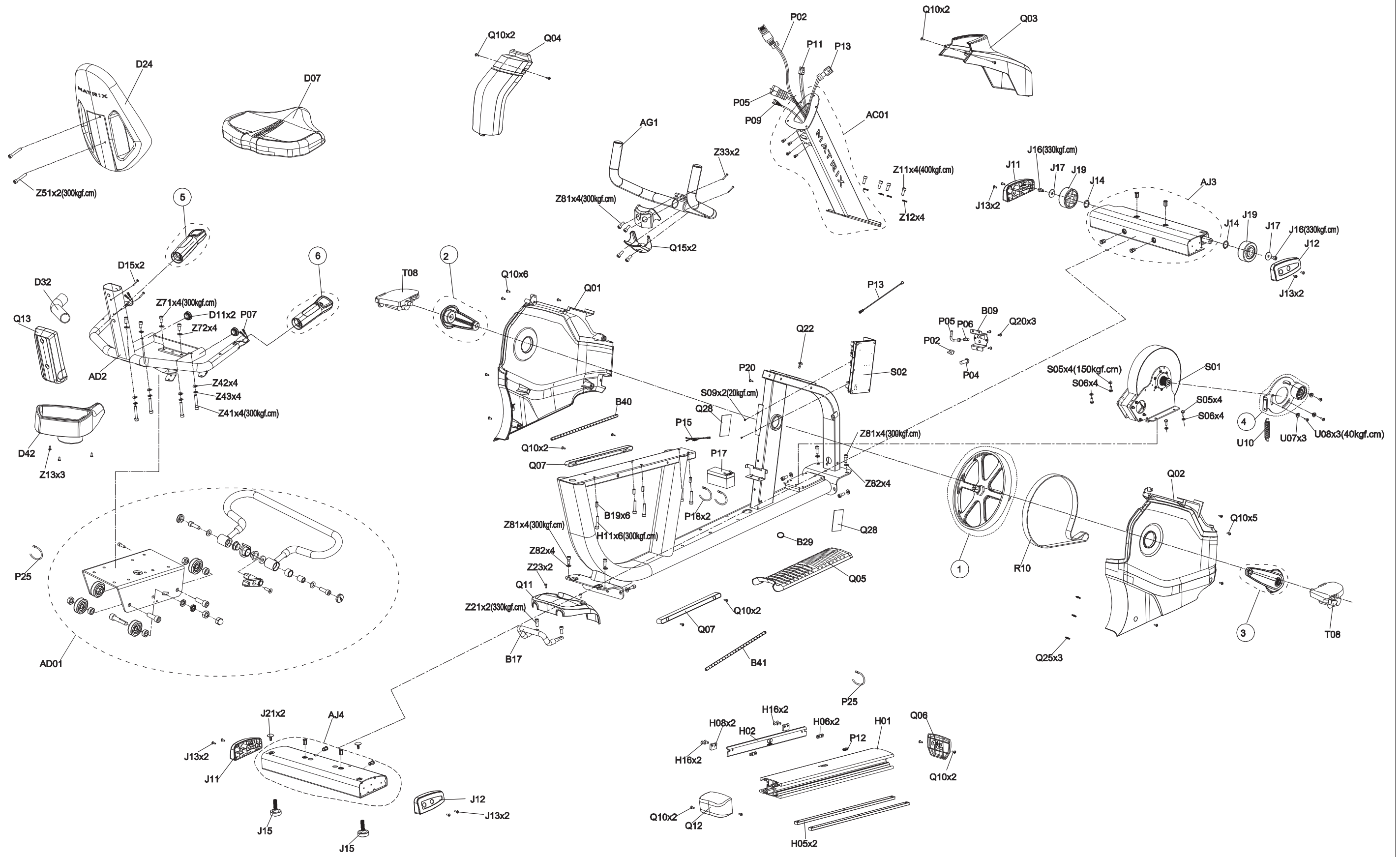
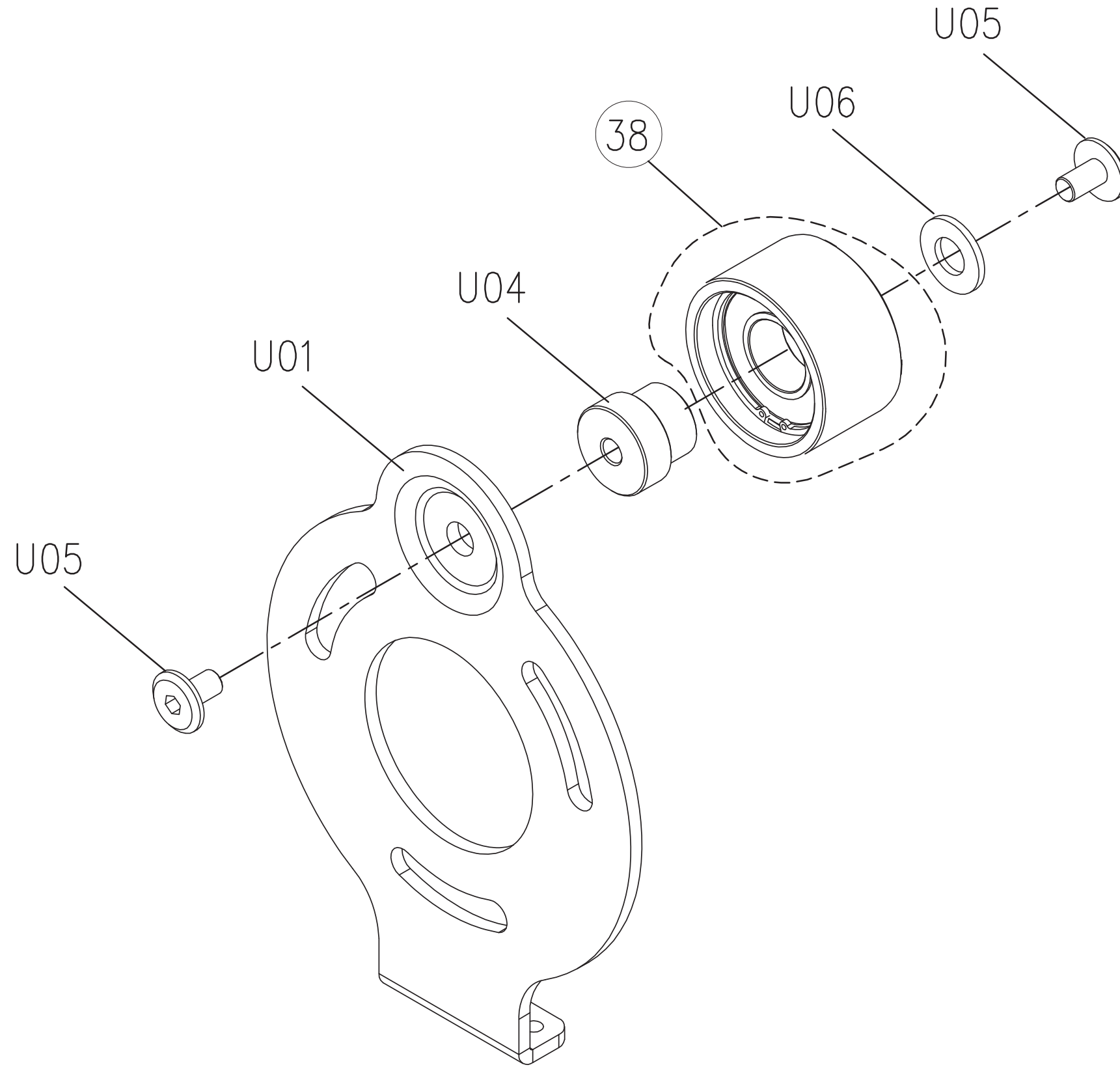


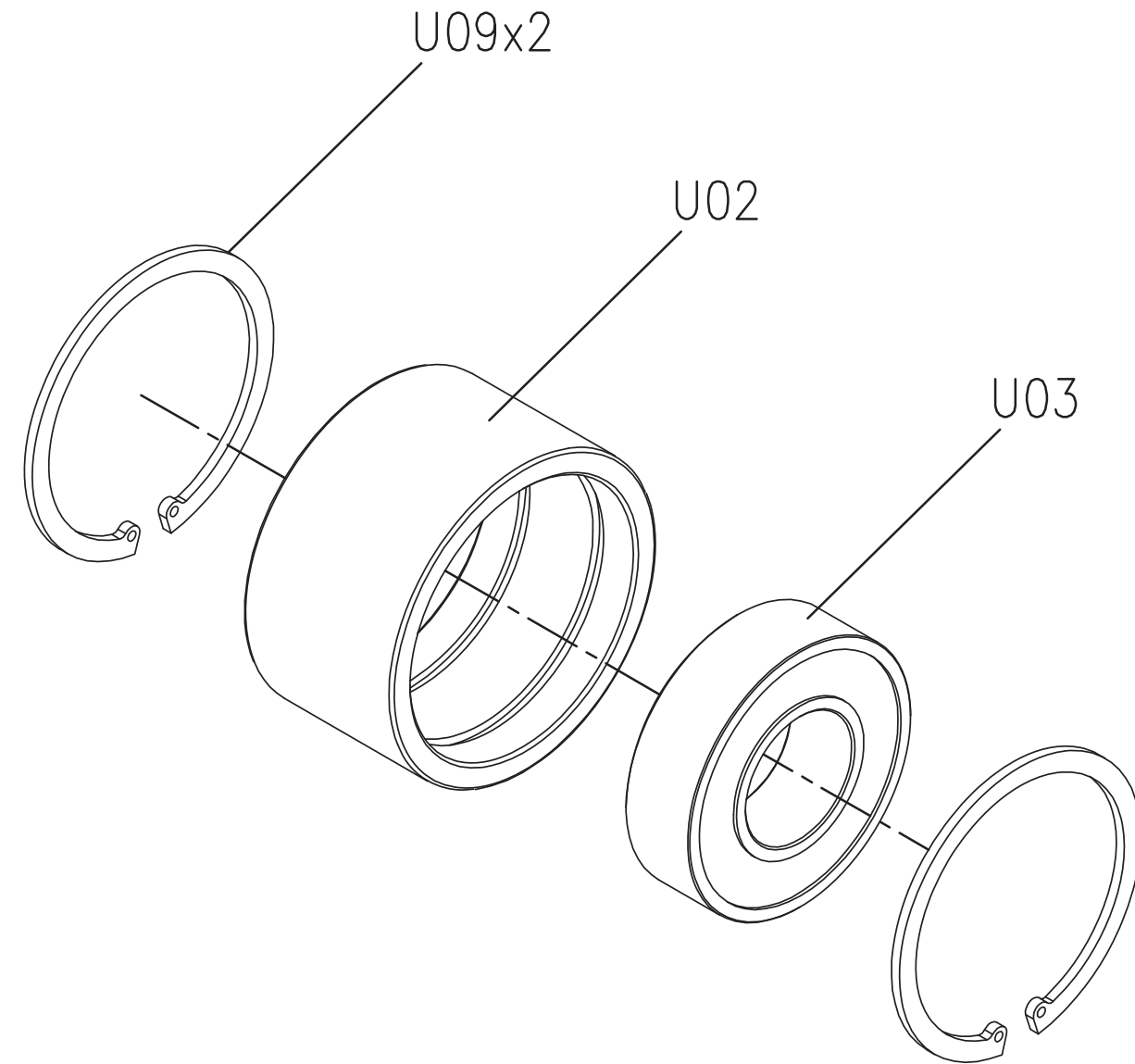
DRAWING NO	PRB162-1US-F	
PART NAME	Explosive Drawing	
PART NO	MRB0116-00	REV A
APPROVE	Xiaokaicong	DATE 2016.9.12



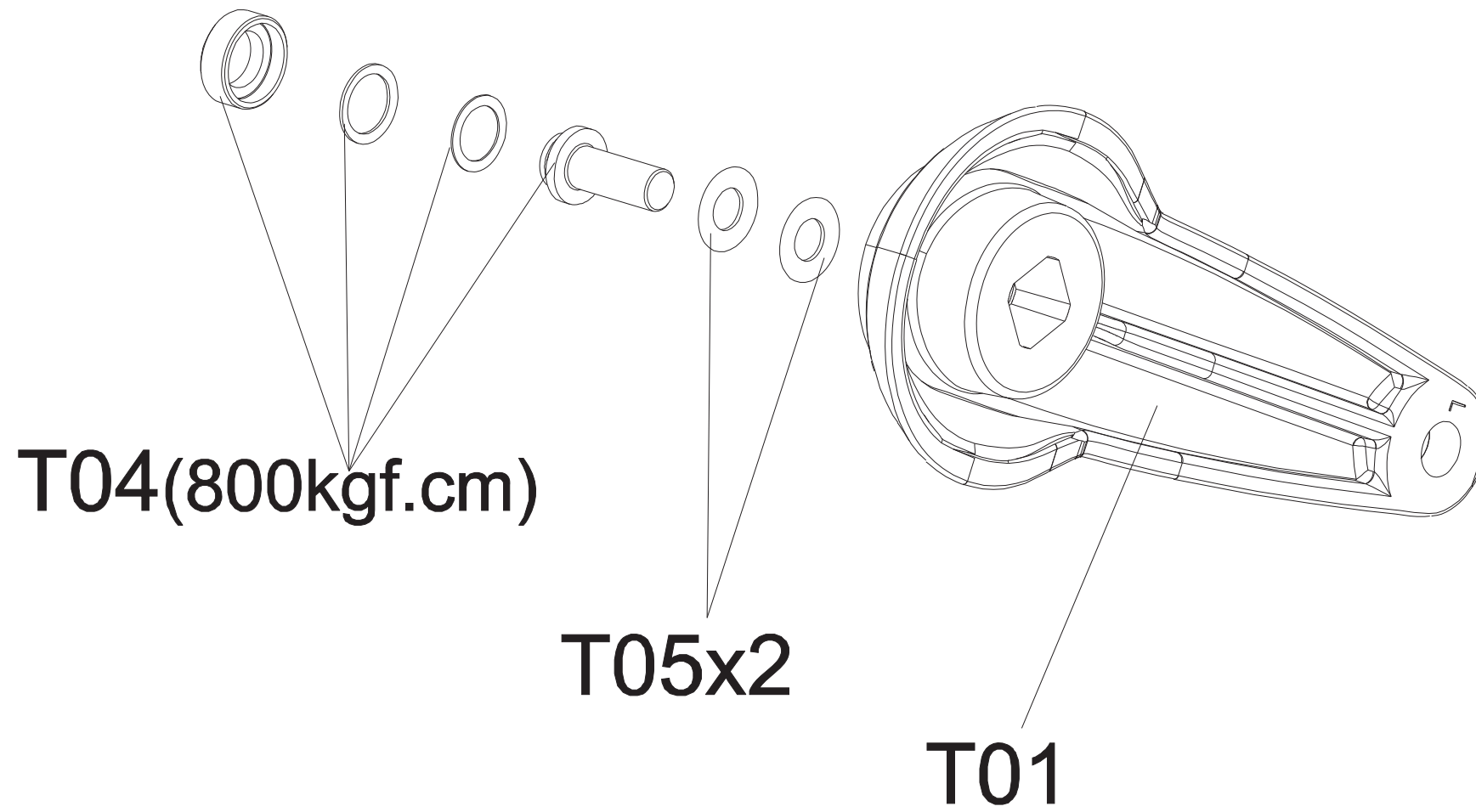
DRAWING NO	CB92-AU3		
PART NAME	Idler Fix Plate Set		
PART NO	1000230354 <sup>R</sup> <sub>B</sub>		
APPROVE	KEN	DATE	20121217



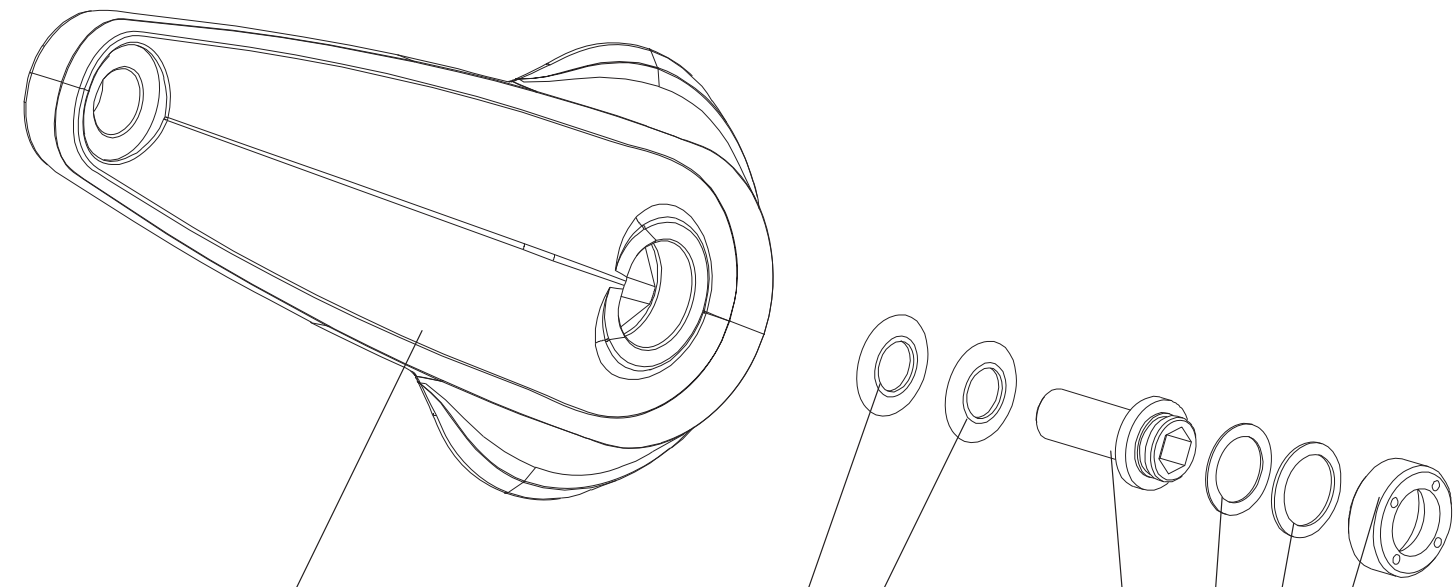
DRAWING NO	CB92-AU4		
PART NAME	Idler Set		
PART NO	1000307358	REV	B
APPROVE	KEN	DATE	20130116



DRAWING NO	RB162-AT11		PART NO.	Describes
PART NAME	Left Crank Set		1000345278	Left Crank set;Grey;RB162
PART NO		REV	1000393624	Left Crank set;Red;RB162D
APPROVE	Xiaokaicong	DATE	20161018	



DRAWING NO	RB162-AT12		PART NO.	Describes
PART NAME	Right Crank Set		1000345280	Right Crank set;Grey;RB162
PART NO		REV A	1000393627	Right Crank set;Red;RB162D
APPROVE	Xiaokai cong	DATE	20161018	

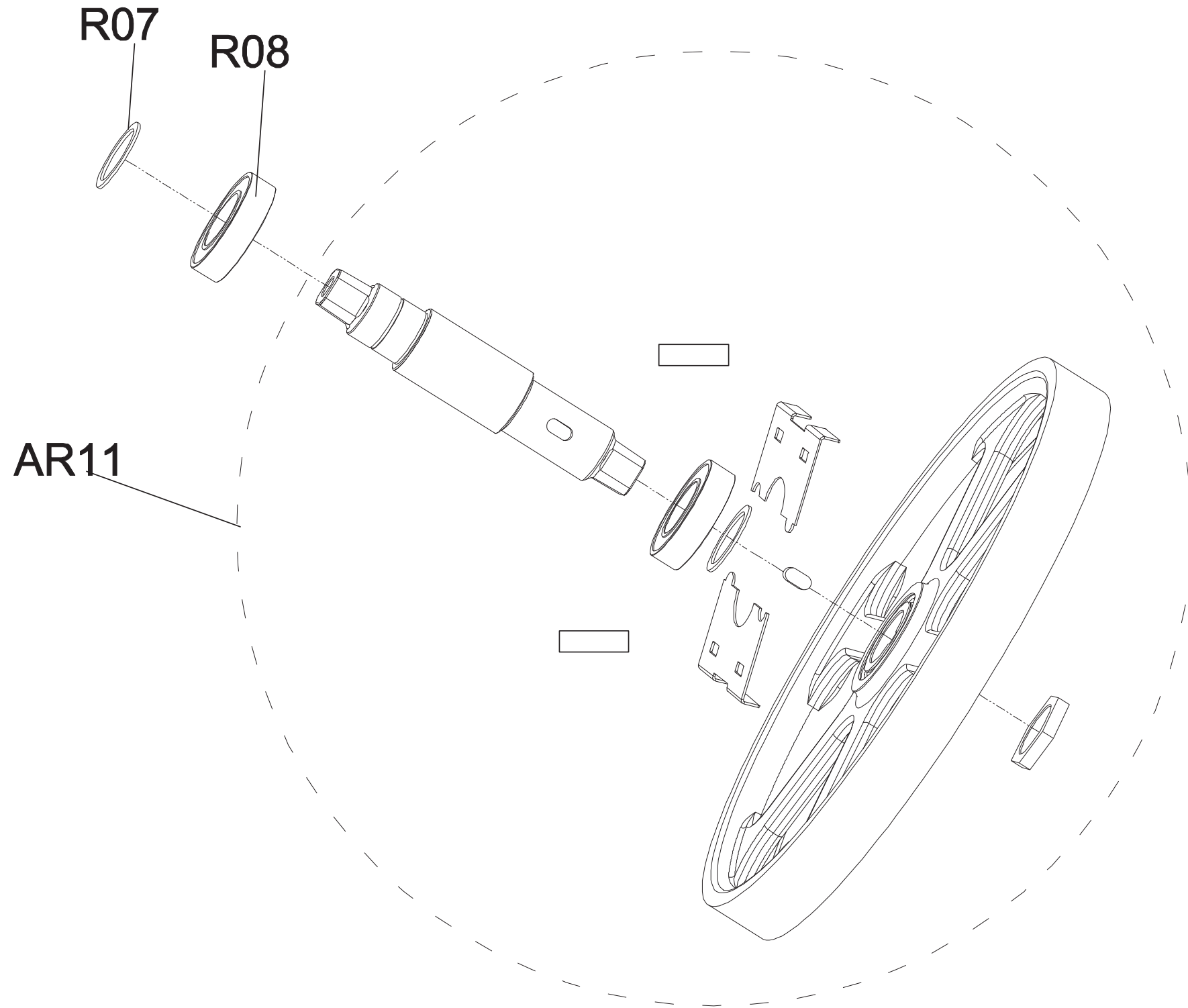


**T02**

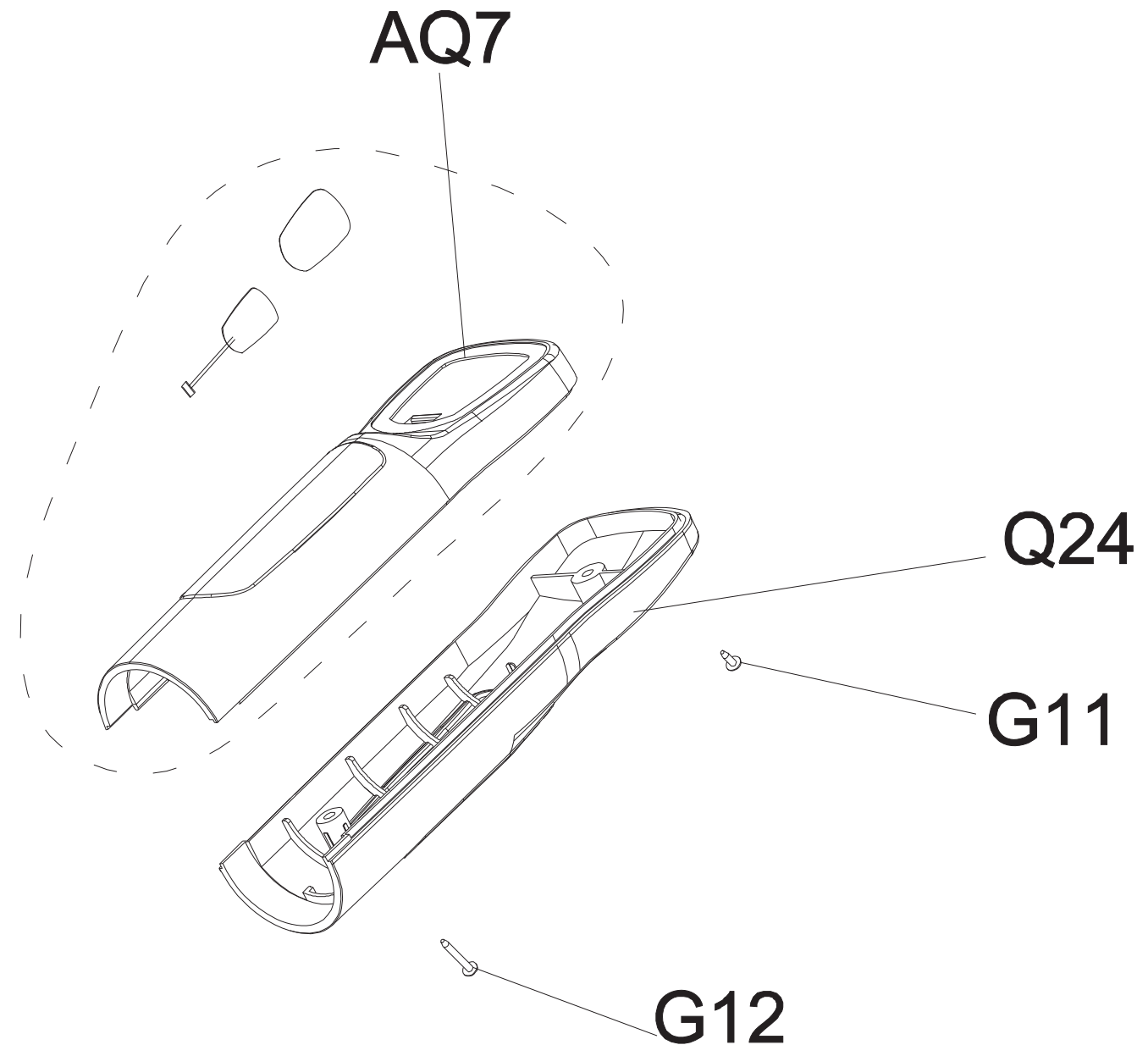
**T05x2**

**T04(800kgf.cm)**

DRAWING NO	RB162-AR11		
PART NAME	Transmission Set		
PART NO	1000381731	REV	A
APPROVE	Xiaokaicong	DATE	2016.08.27



DRAWING NO	RB162-A11		
PART NAME	Hand Pulse Grip Set;Left		
PART NO	1000399165	REV	A
APPROVE	Xiaokaicong	DATE	2016.9.12



DRAWING NO	RB162-A12		
PART NAME	Hand Pulse Grip Set;Right		
PART NO	1000399167	REV	A
APPROVE	Xiaokaicong	DATE	2016.9.12

