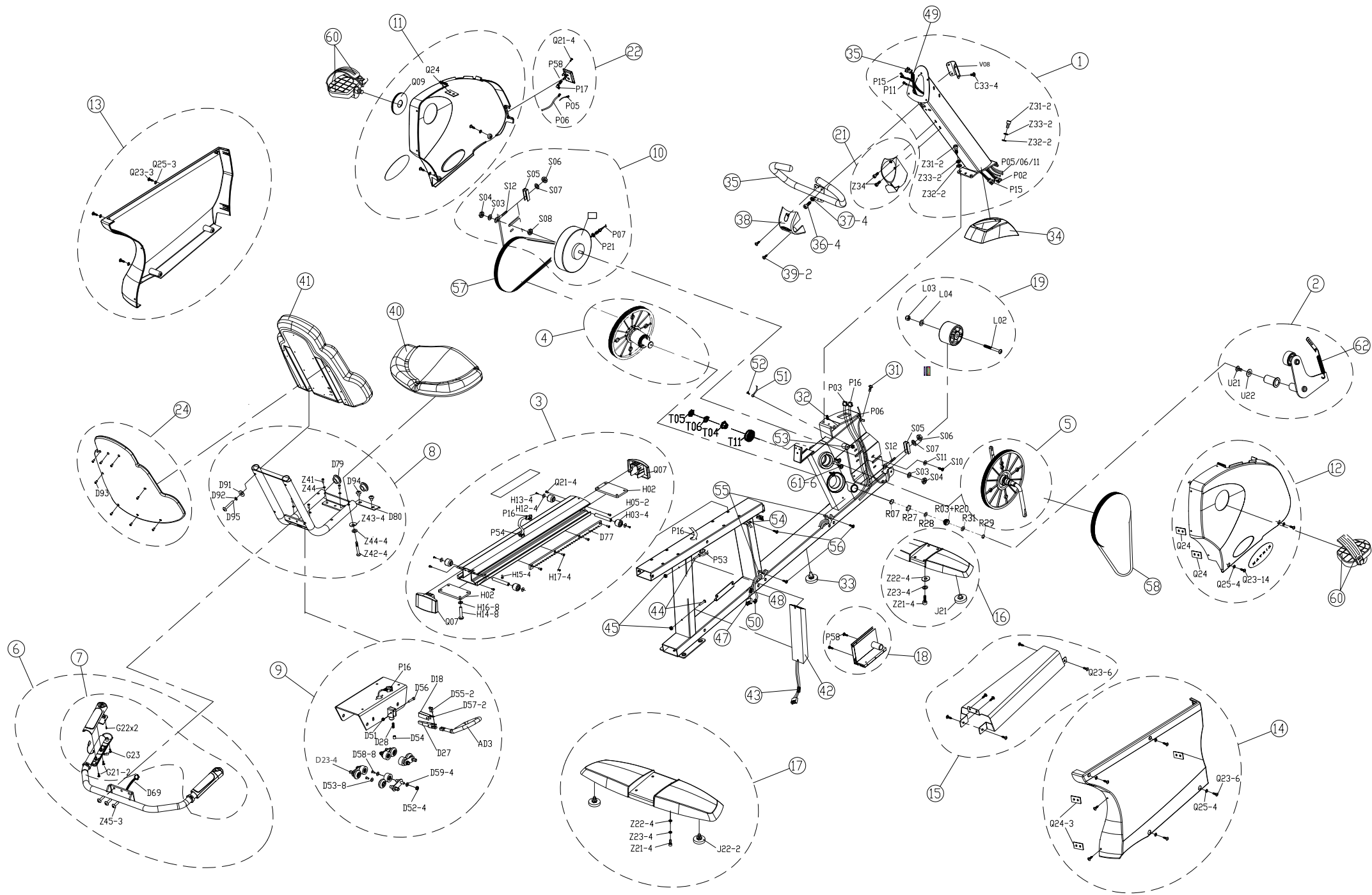


Service drawing of matrix E3xc-01/H3x-01/U3x-01/R3x-01 console



Service Drawing of Matrix R3x-01

DRAWING NO	CB72-AT100		
PART NAME	Pedal Axle Set;+Crank		
PART NO	1000387880 REV C		
APPROVE	Lewis	DATE	053016

