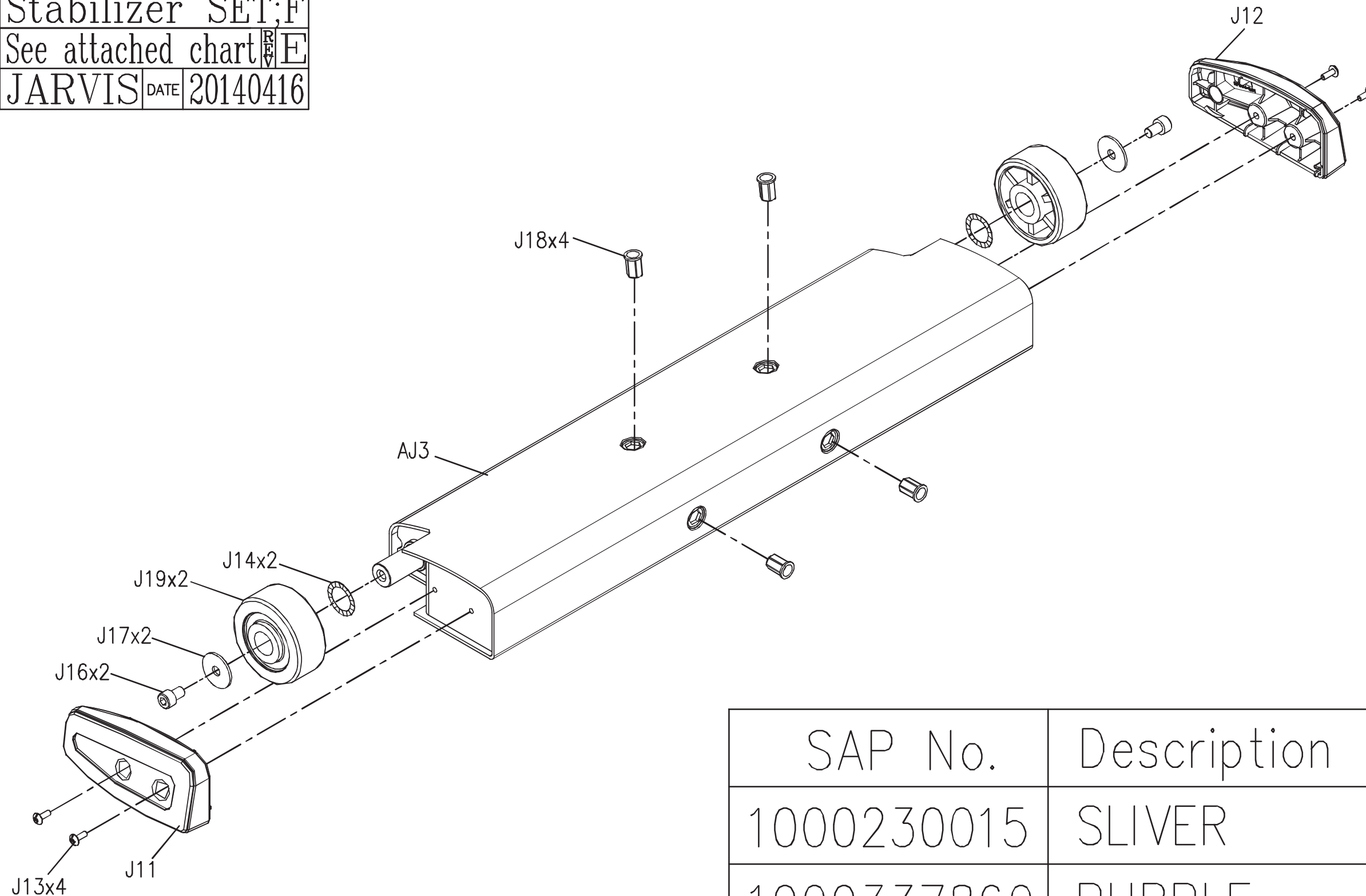


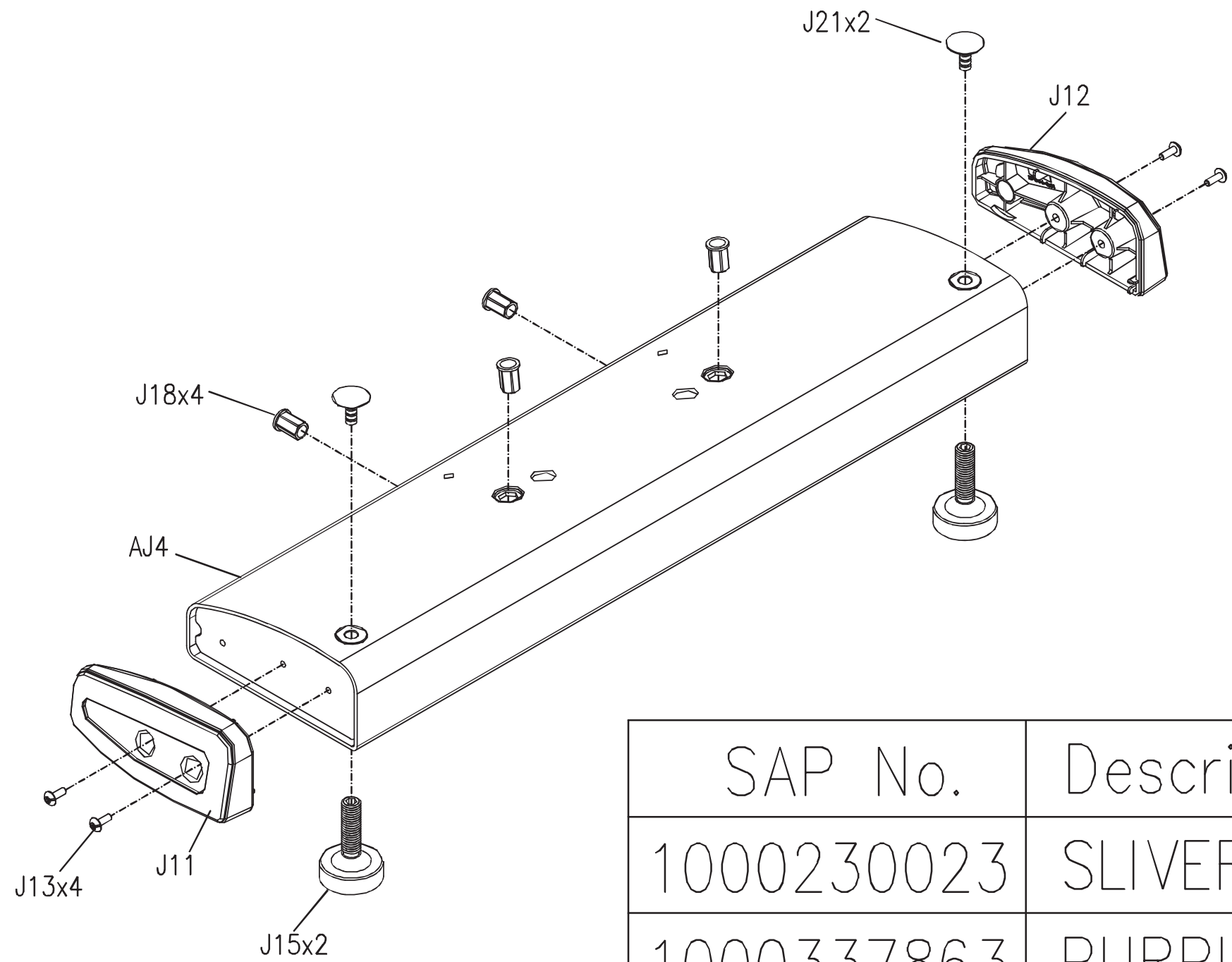


DRAWING NO	CB92-AJ5		
PART NAME	Stabilizer SET;F		
PART NO	See attached chart E		
APPROVE	JARVIS	DATE	20140416



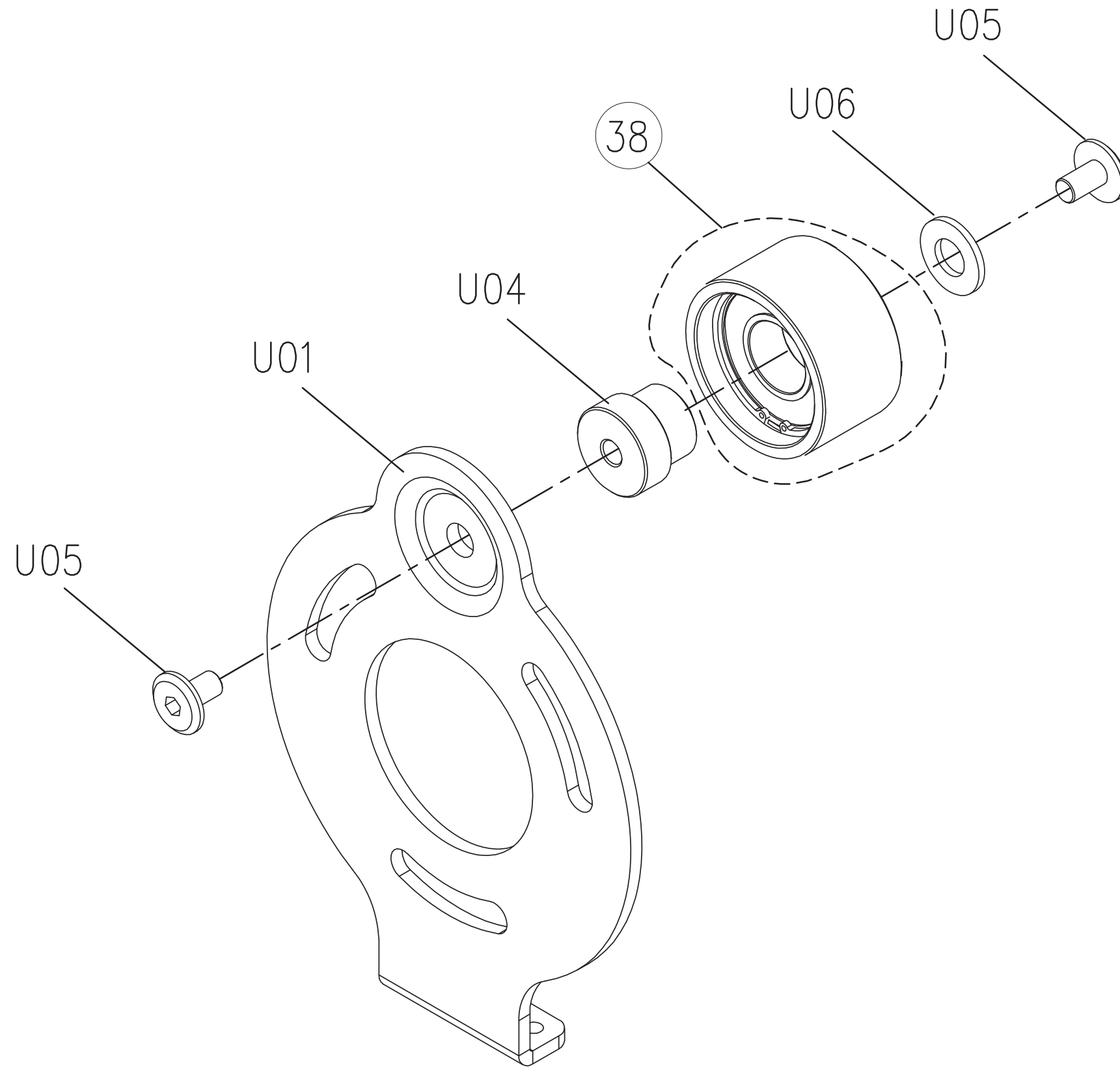
SAP No.	Description
1000230015	SLIVER
1000337860	PURPLE
1000338041	BLACK MATTE
1000346475	SUN ORANGE

DRAWING NO	CB92-AJ6		
PART NAME	Stabilizer SET;R		
PART NO	See attached chart		
APPROVE	JARVIS	DATE	20140416

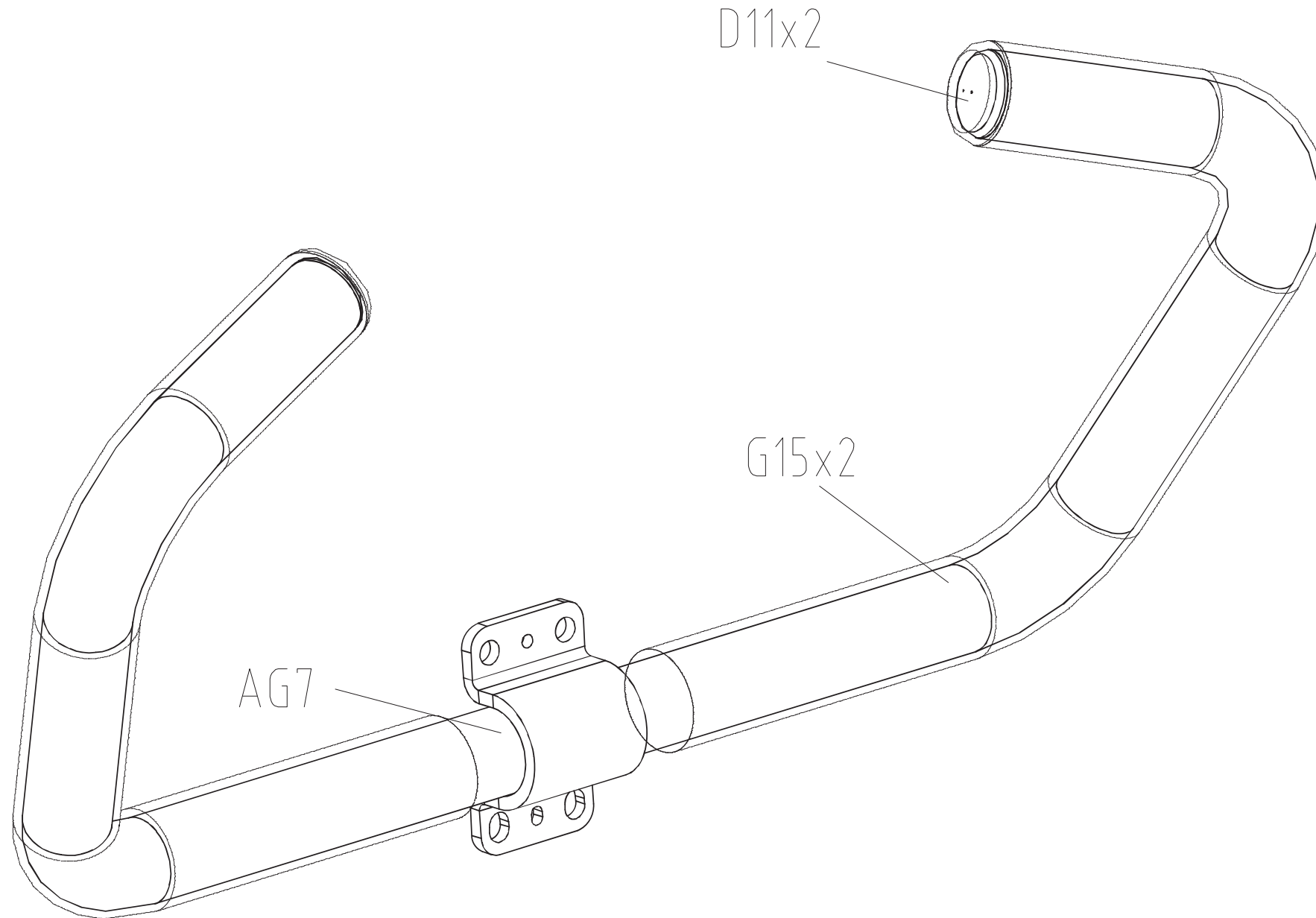


SAP No.	Description
1000230023	SLIVER
1000337863	PURPLE
1000338046	BLACK MATTE
1000346477	SUN ORANGE

DRAWING NO	CB92-AU3		
PART NAME	Idler Fix Plate Set		
PART NO	1000230354 <sup>R</sup> <sub>B</sub>		
APPROVE	KEN	DATE	20121217

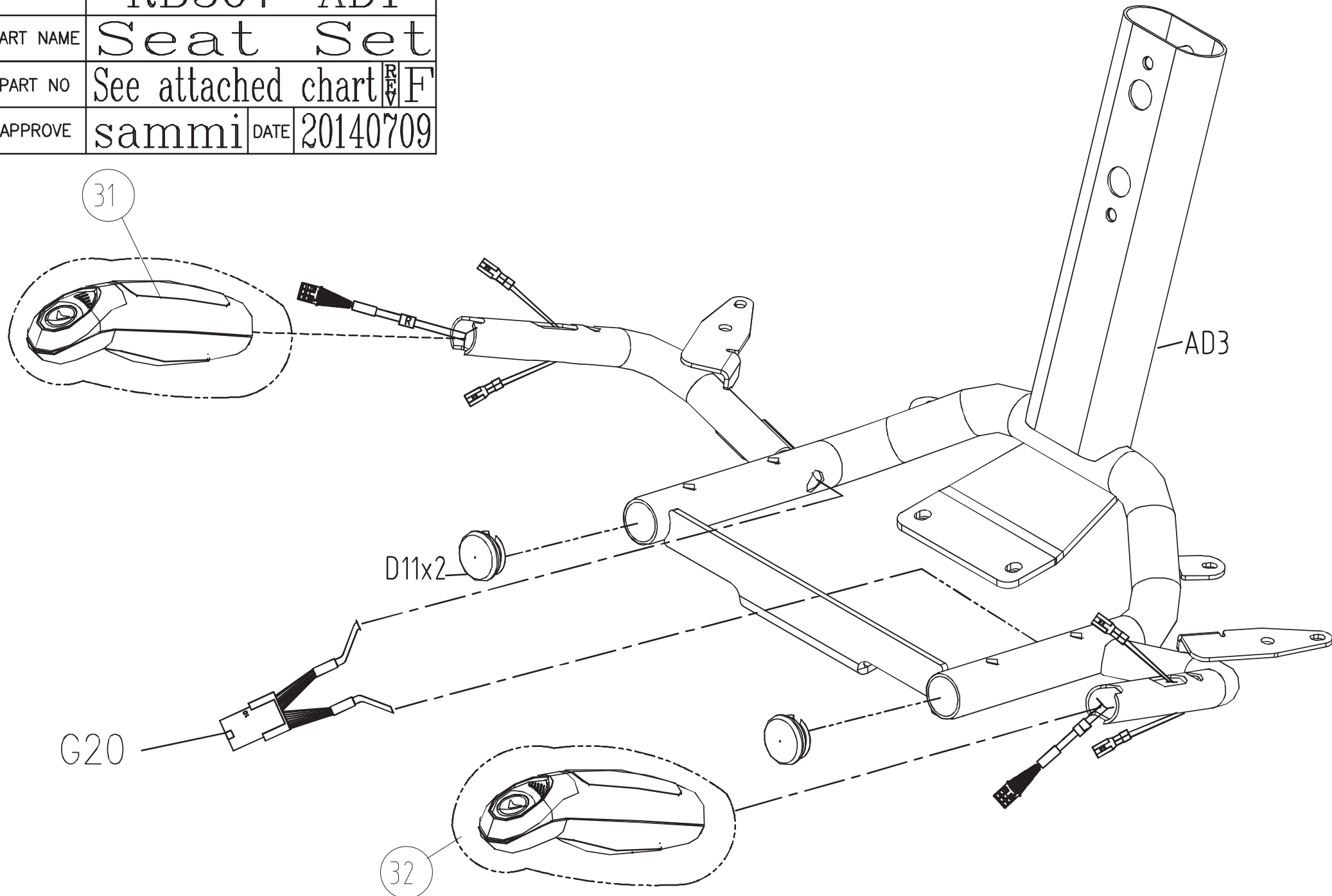


DRAWING NO	RB307-AG2		
PART NAME	Handlebar Set		
PART NO	See attached <sup>R</sup> / <sub>F</sub> / <sub>D</sub>		
APPROVE	Hunter	DATE	20140424



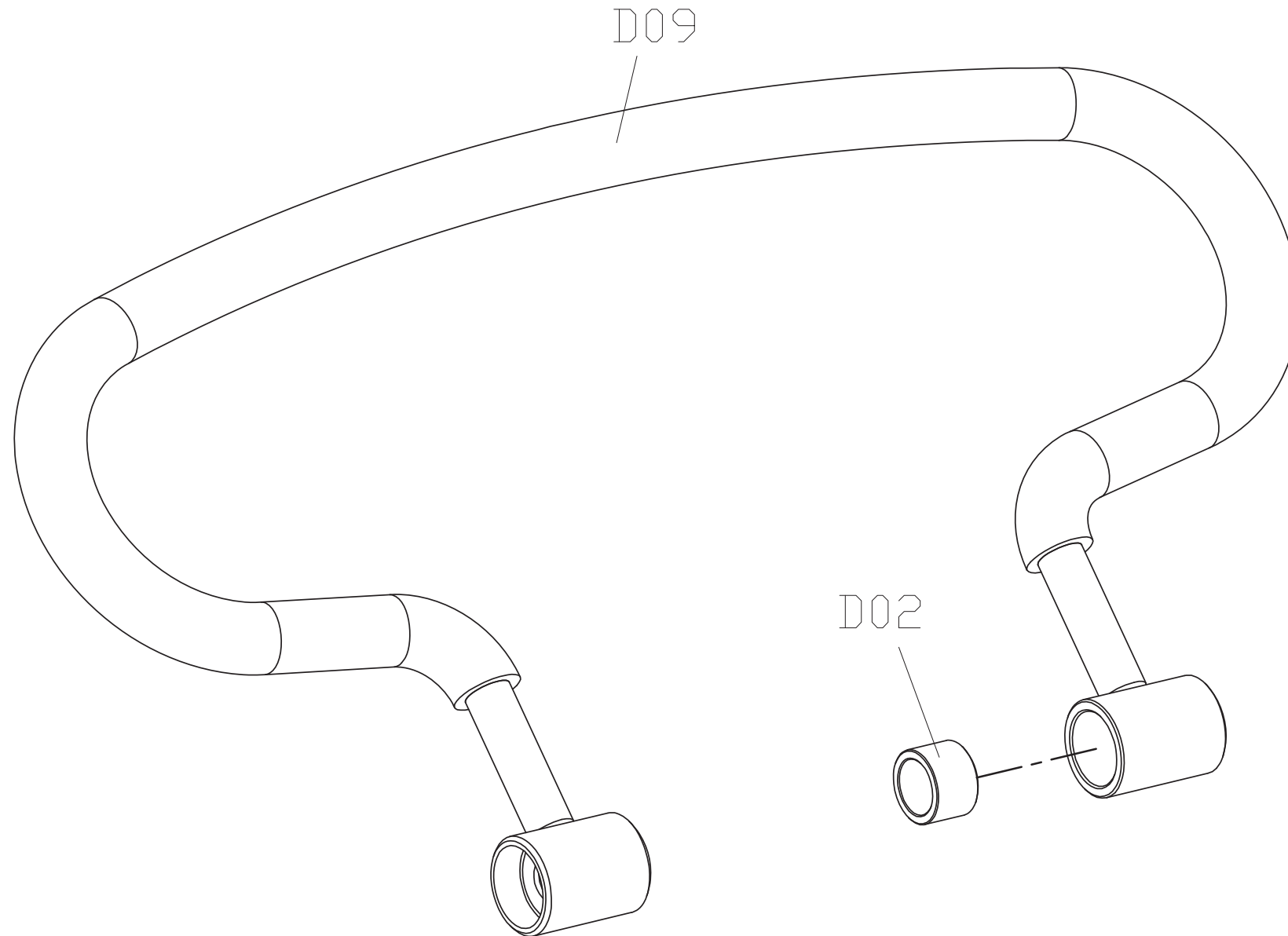
SAP No.	Description
1000230415	SLIVER
1000340373	Black matte

DRAWING NO	RB307-AD1		
PART NAME	Seat Set		
PART NO	See attached chart $\frac{R}{F}$		
APPROVE	sammi	DATE	20140709

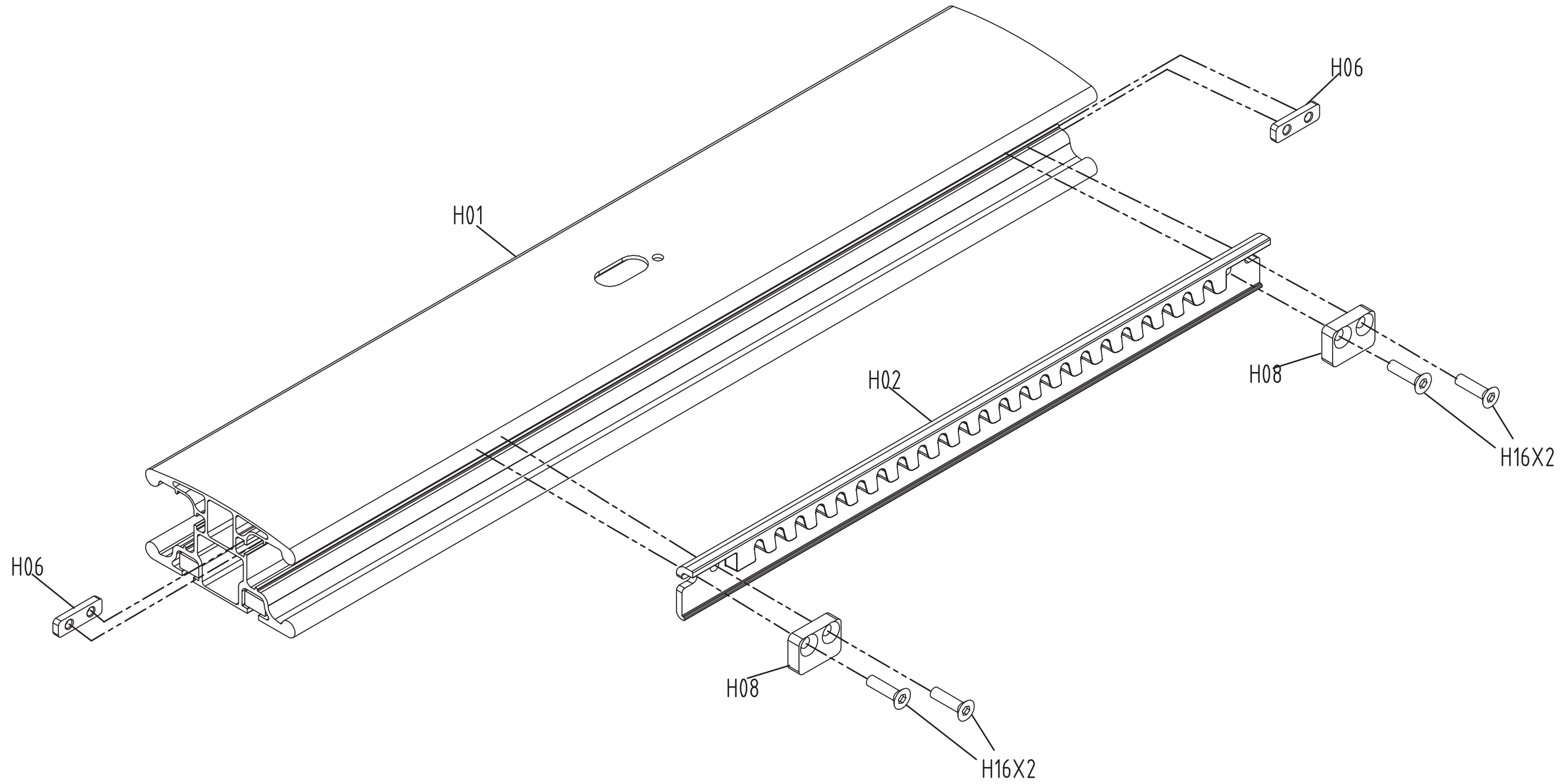


SAP No.	Description
1000230418	SLIVER
1000337887	PURPLE
1000338065	BLACK MATTE
1000346515	SUN ORANGE

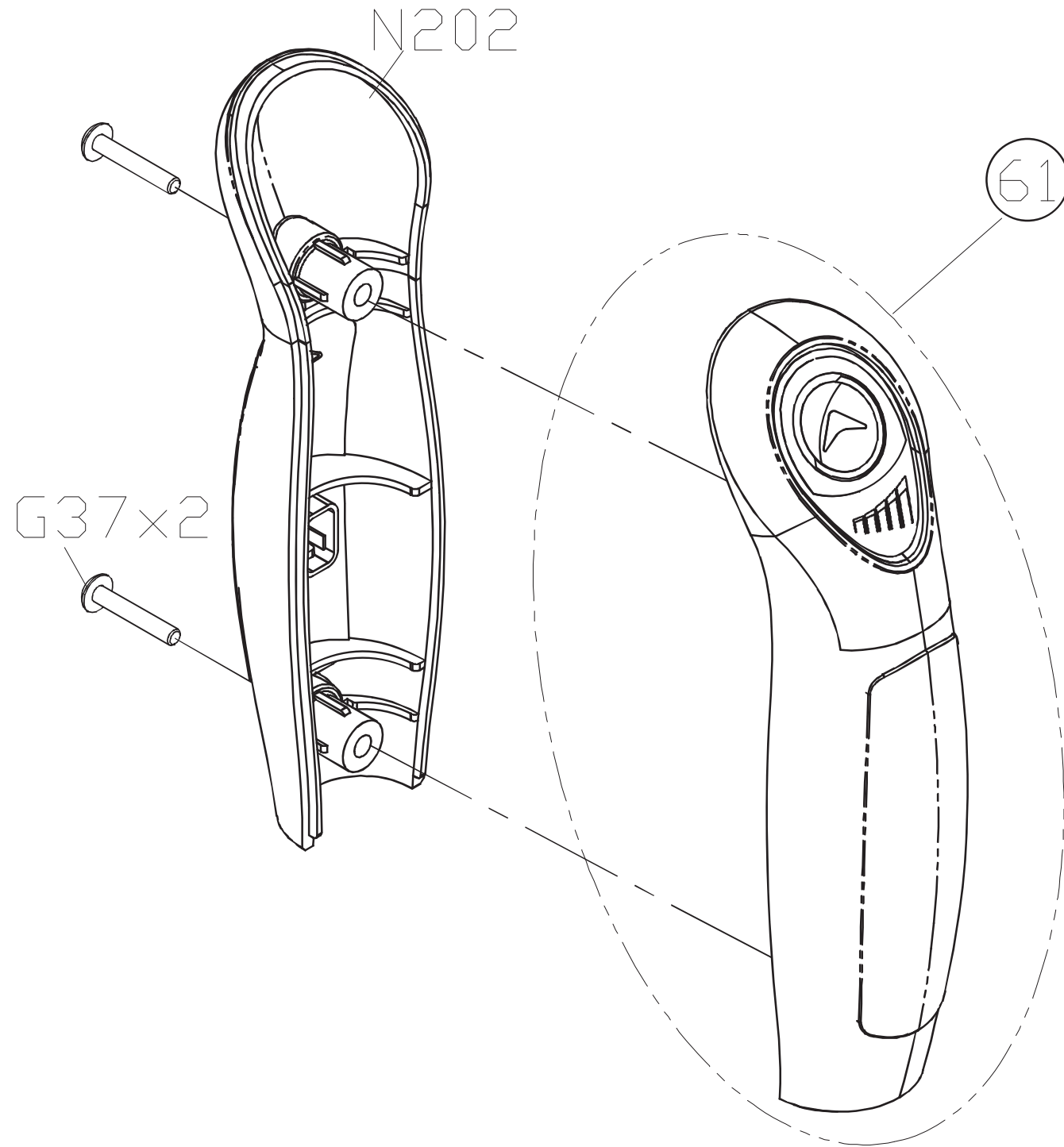
DRAWING NO	RB307-AG11		
PART NAME	ADJ Handbar		
PART NO	1000230420 <sup>R</sup> <sub>E</sub> <sup>V</sup> <sub>E</sub> B		
APPROVE	EASON	DATE	130108



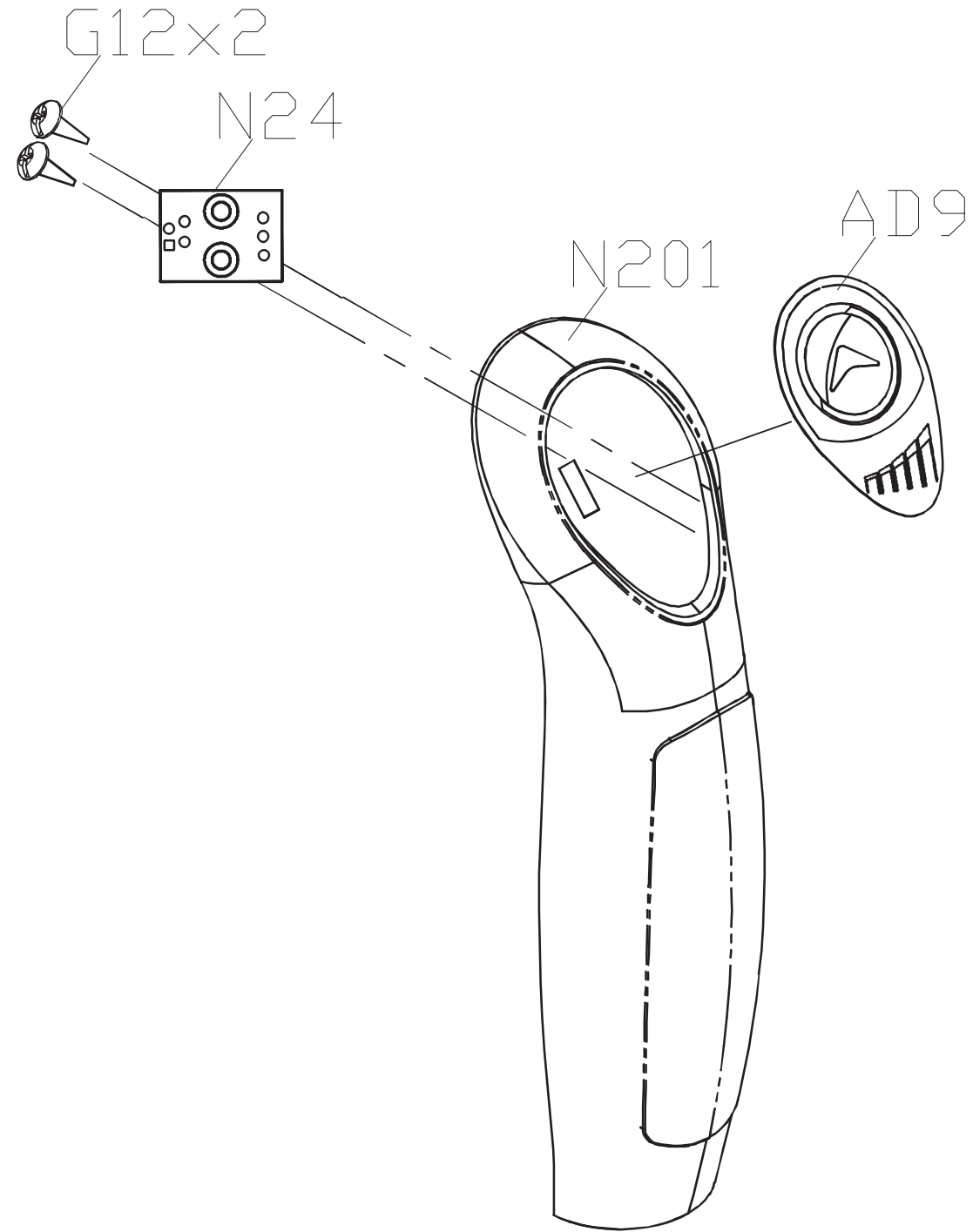
DRAWING NO	RB307-AH11		
PART NAME	Guide Rail Set		
PART NO	1000230429 <sup>R</sup> <sub>D</sub>		
APPROVE	EASON	DATE	20130918



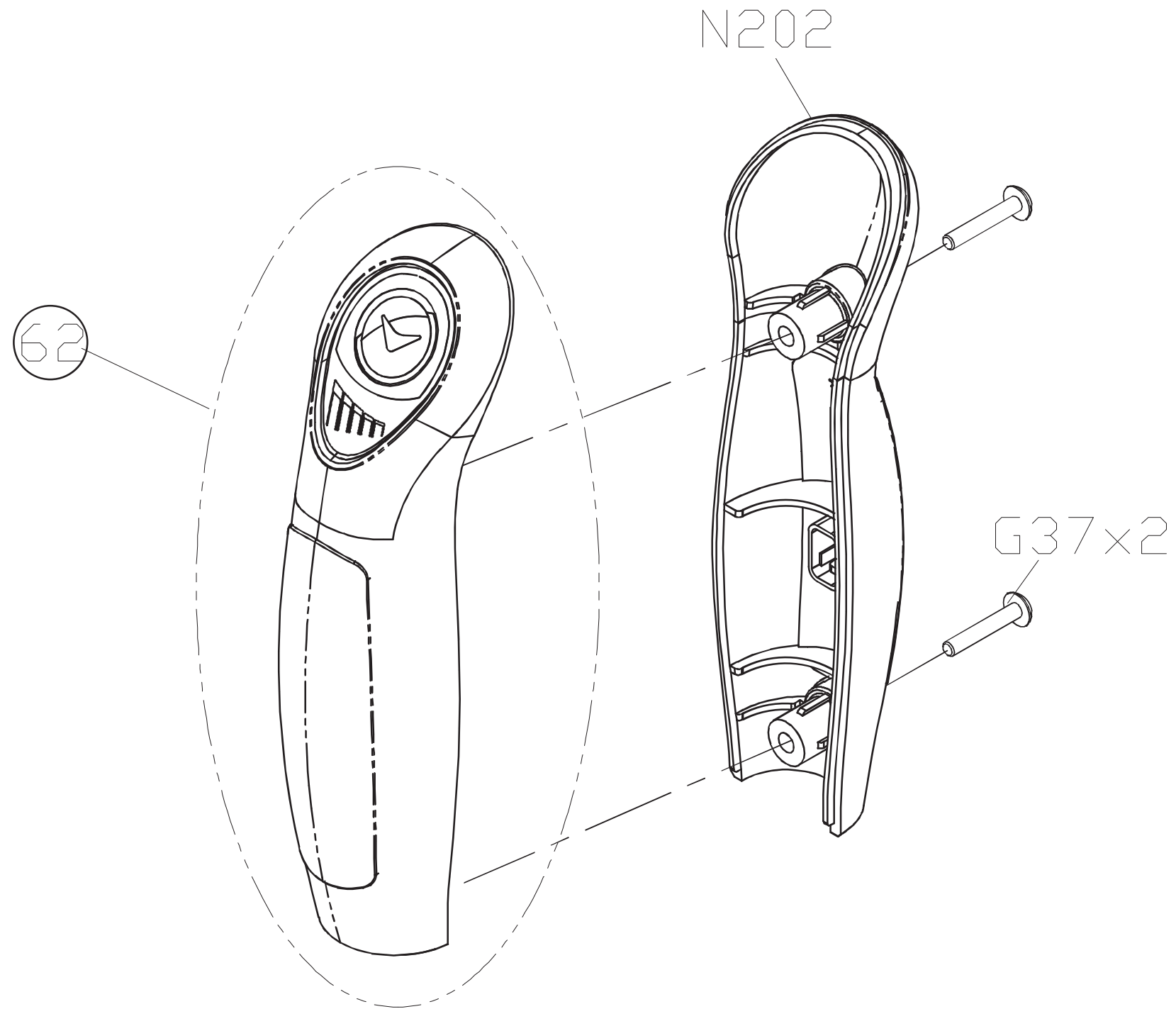
DRAWING NO	CB93-AG7		
PART NAME	Heart Sensor Set;Grip;R		
PART NO	1000302039 R/D		
APPROVE	sammi	DATE	20140708



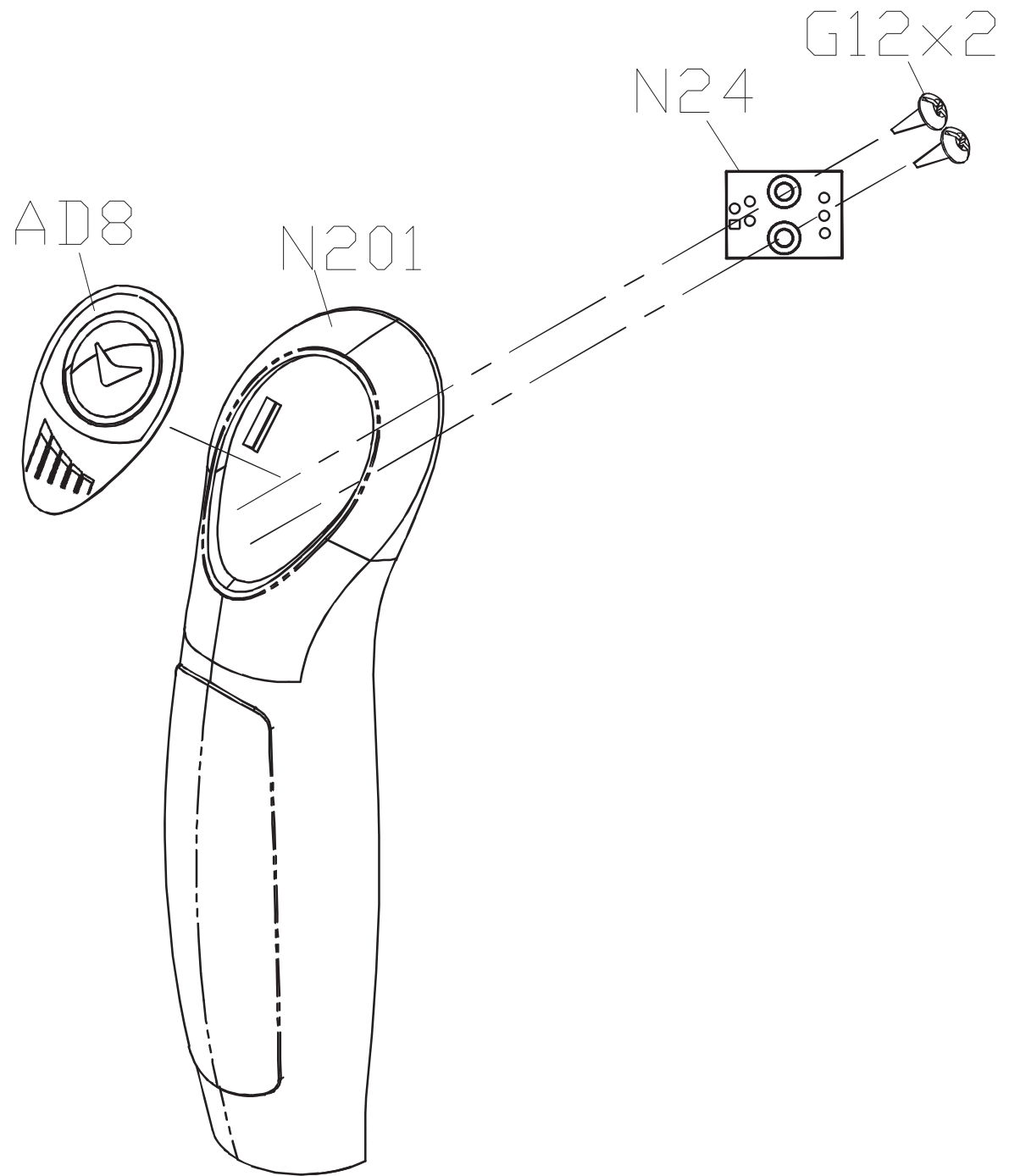
DRAWING NO	CB93-AG21		
PART NAME	Heart Sensor Set;Quickly Key;right		
PART NO	1000302040 R/C		
APPROVE	sammi	DATE	20140708



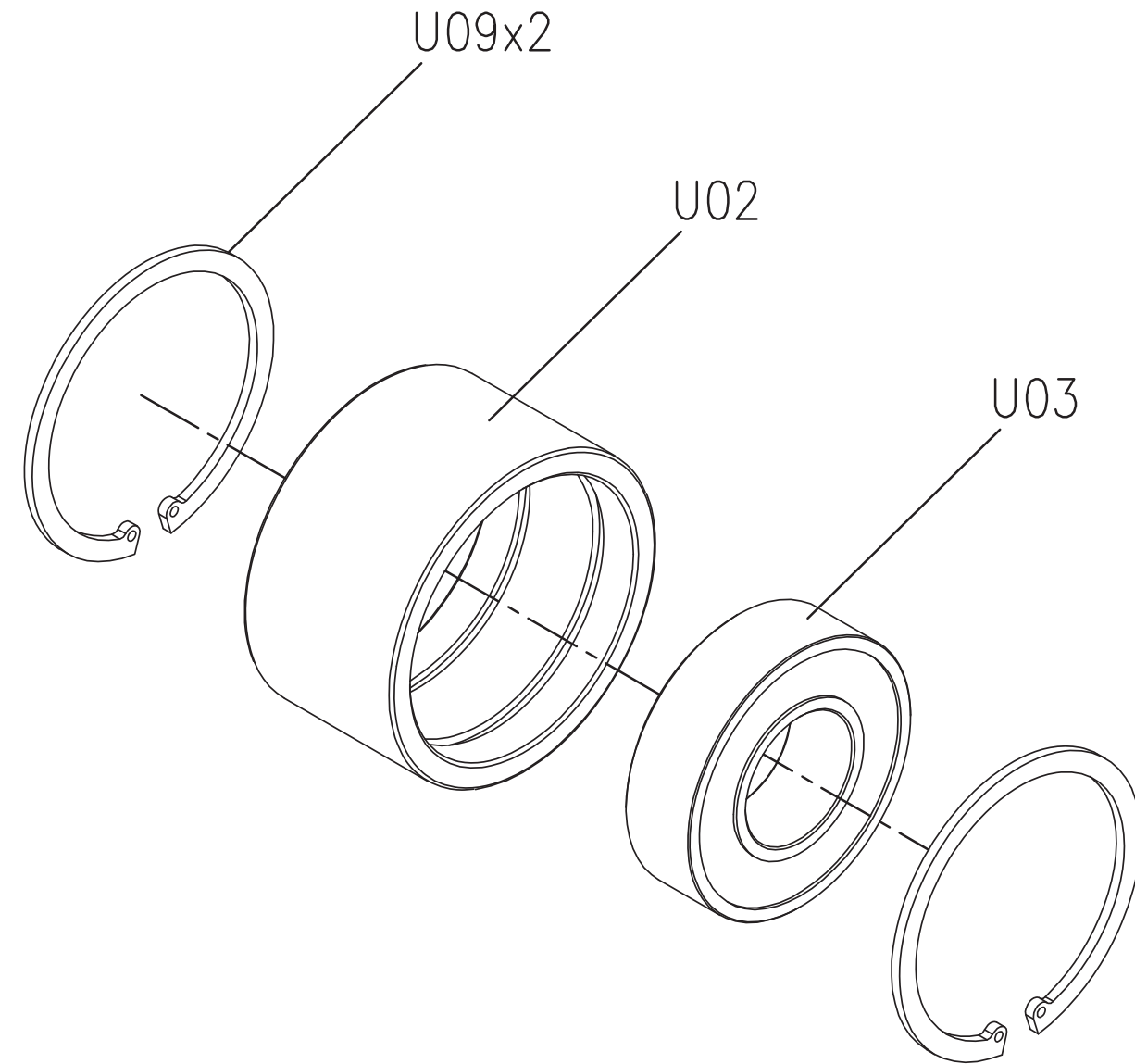
DRAWING NO	CB93-AG8		
PART NAME	Heart Sensor Set;Grip;L		
PART NO	1000302043	REV	D
APPROVE	sammi	DATE	20140708



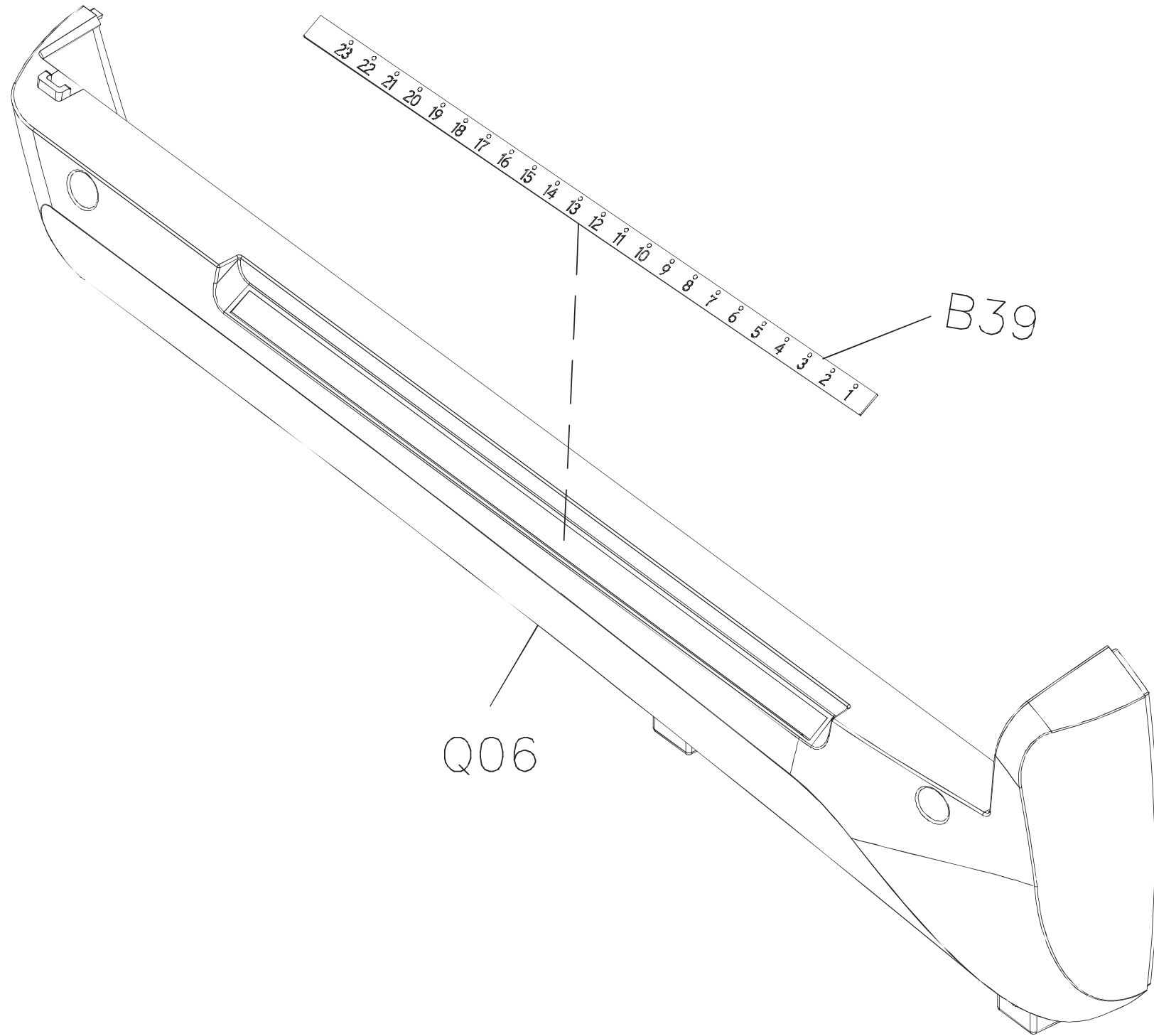
DRAWING NO	CB93-AG22		
PART NAME	Heart Sensor Set;Quickly Key,left		
PART NO	1000302044	REV	C
APPROVE	sammi	DATE	20140708



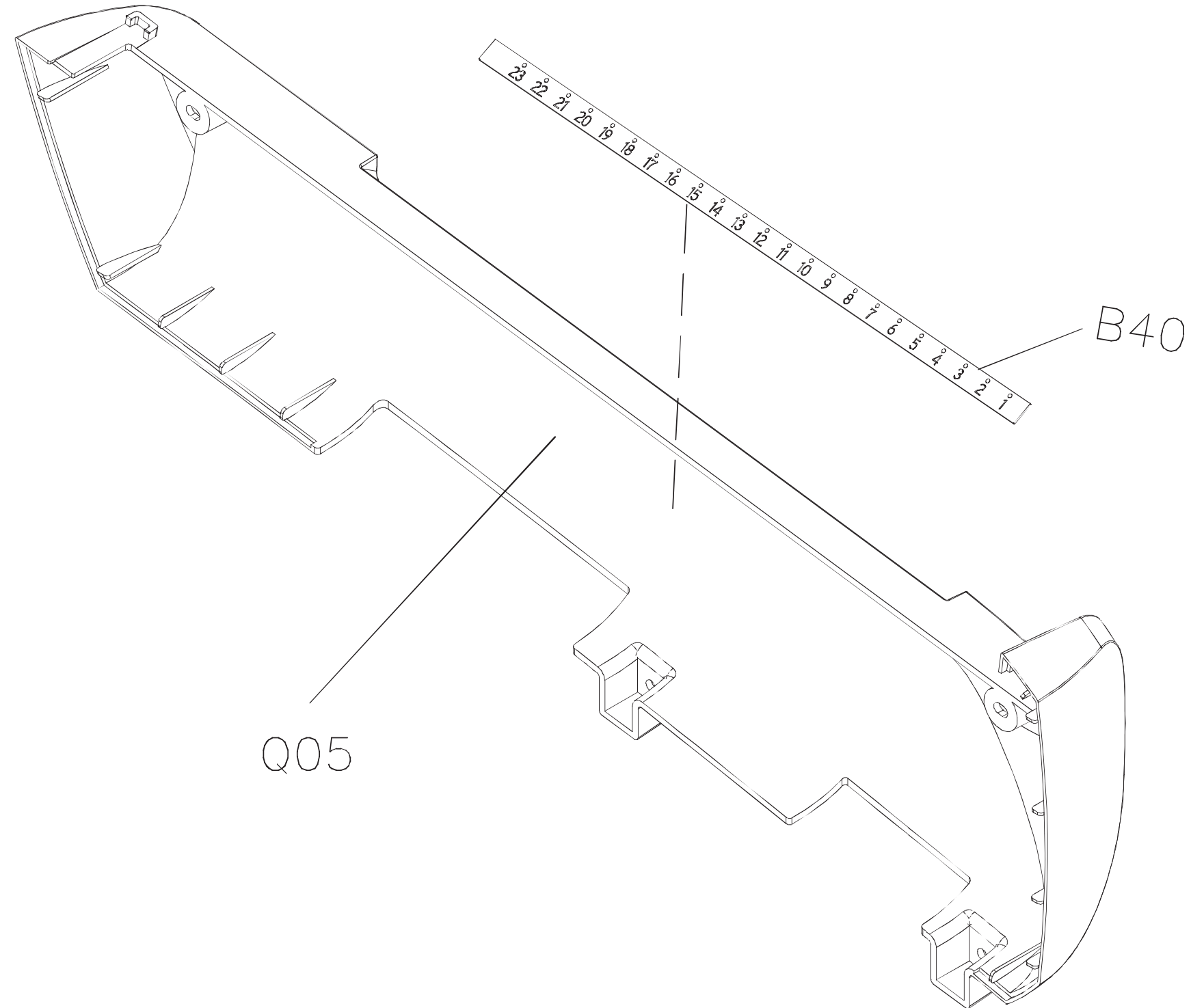
DRAWING NO	CB92-AU4		
PART NAME	Idler Set		
PART NO	1000307358	REV	B
APPROVE	KEN	DATE	20130116




DRAWING NO	RB307-AQ3		
PART NAME	Right Guild Rail Cover Set		
PART NO	1000308337 <sup>R</sup> / <sub>E</sub> / <sub>V</sub> B		
APPROVE	EASON	DATE	20130205

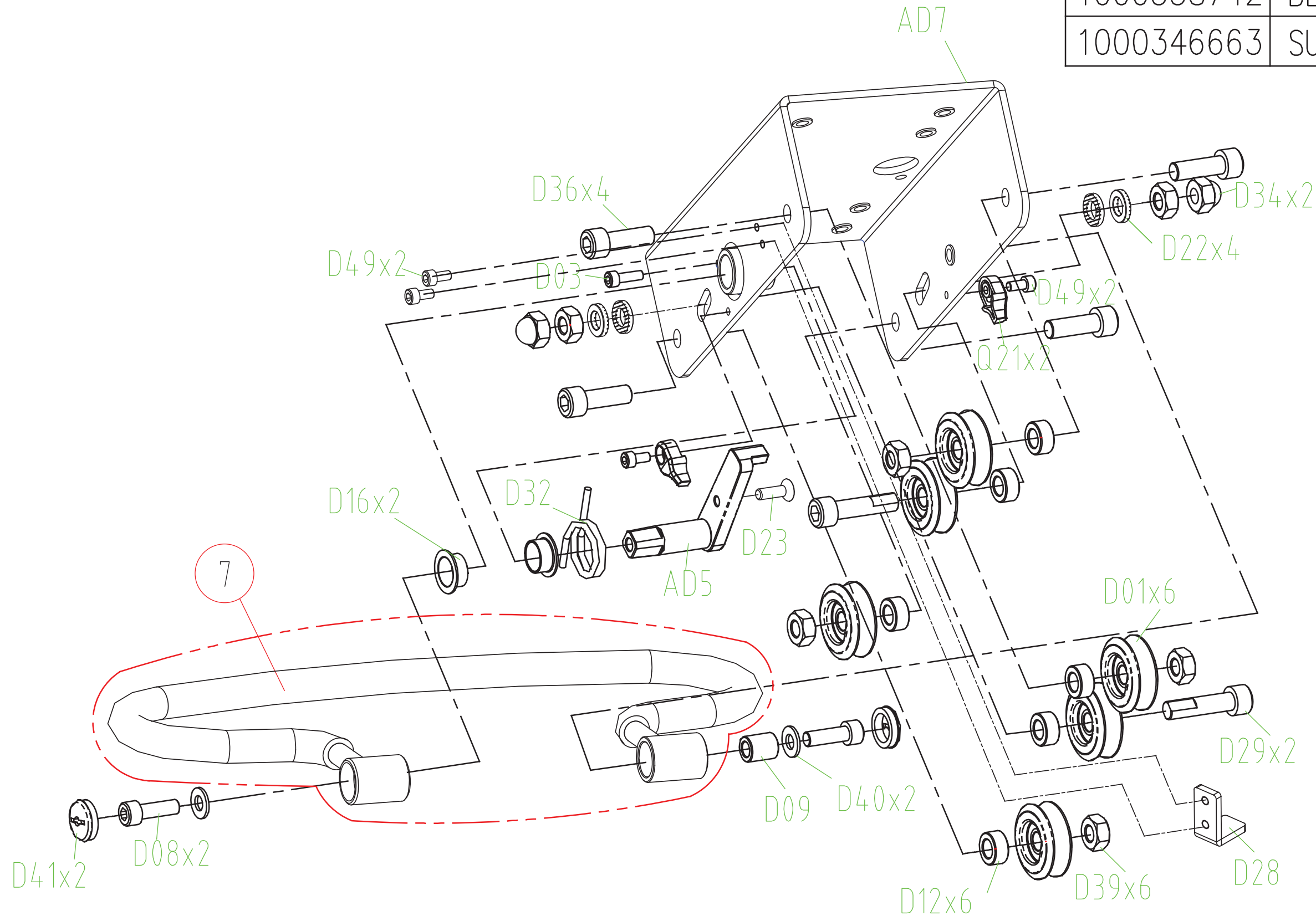


DRAWING NO	RB307-AQ4		
PART NAME	Left Guild Rail Cover Set		
PART NO	1000308338 <sup>R</sup> <sub>B</sub>		
APPROVE	EASON	DATE	20130205

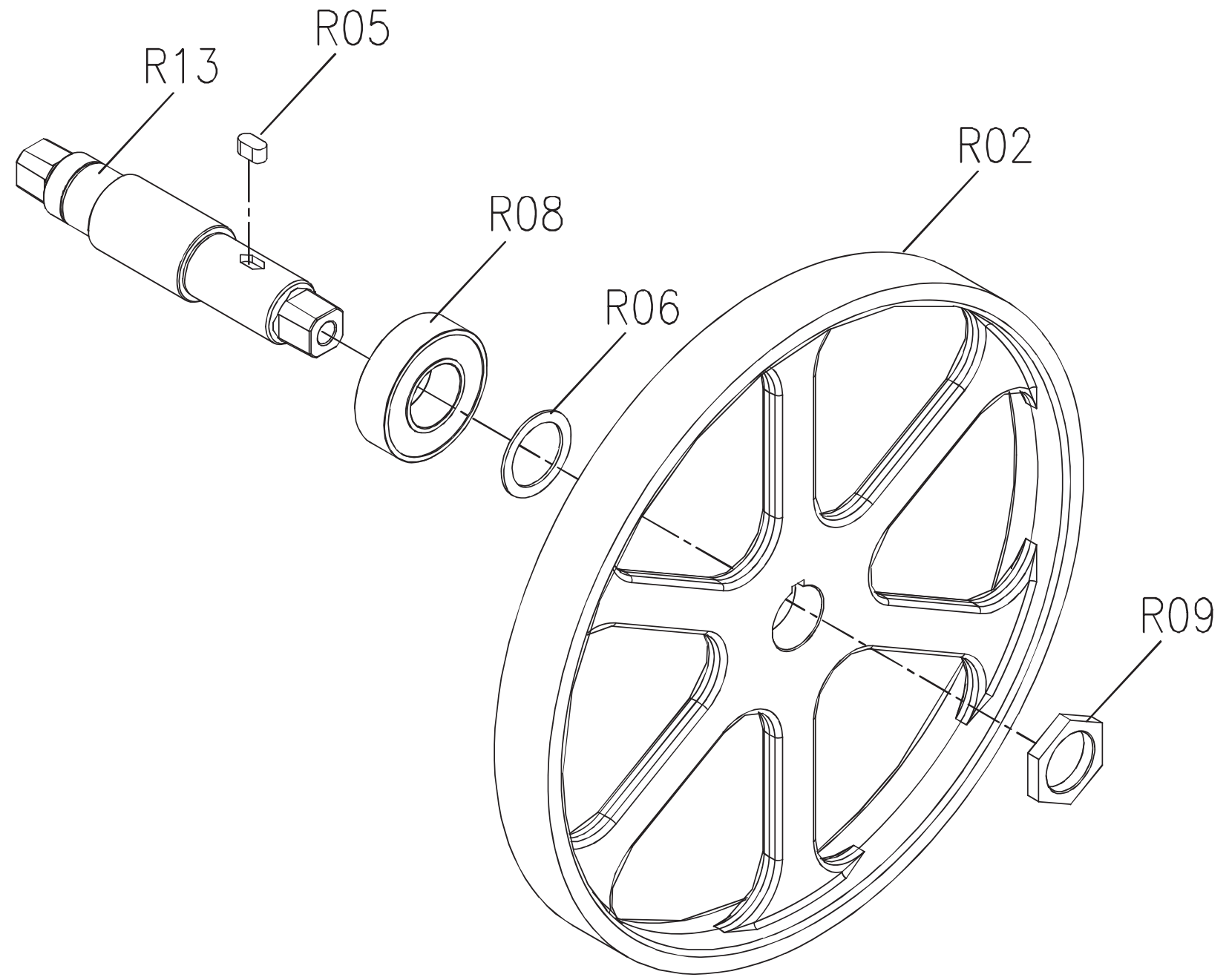


DRAWING NO	RB307-AD2		
PART NAME	Seat Slide Set		
PART NO	See attached 		
APPROVE	Lewis	DATE	20161221

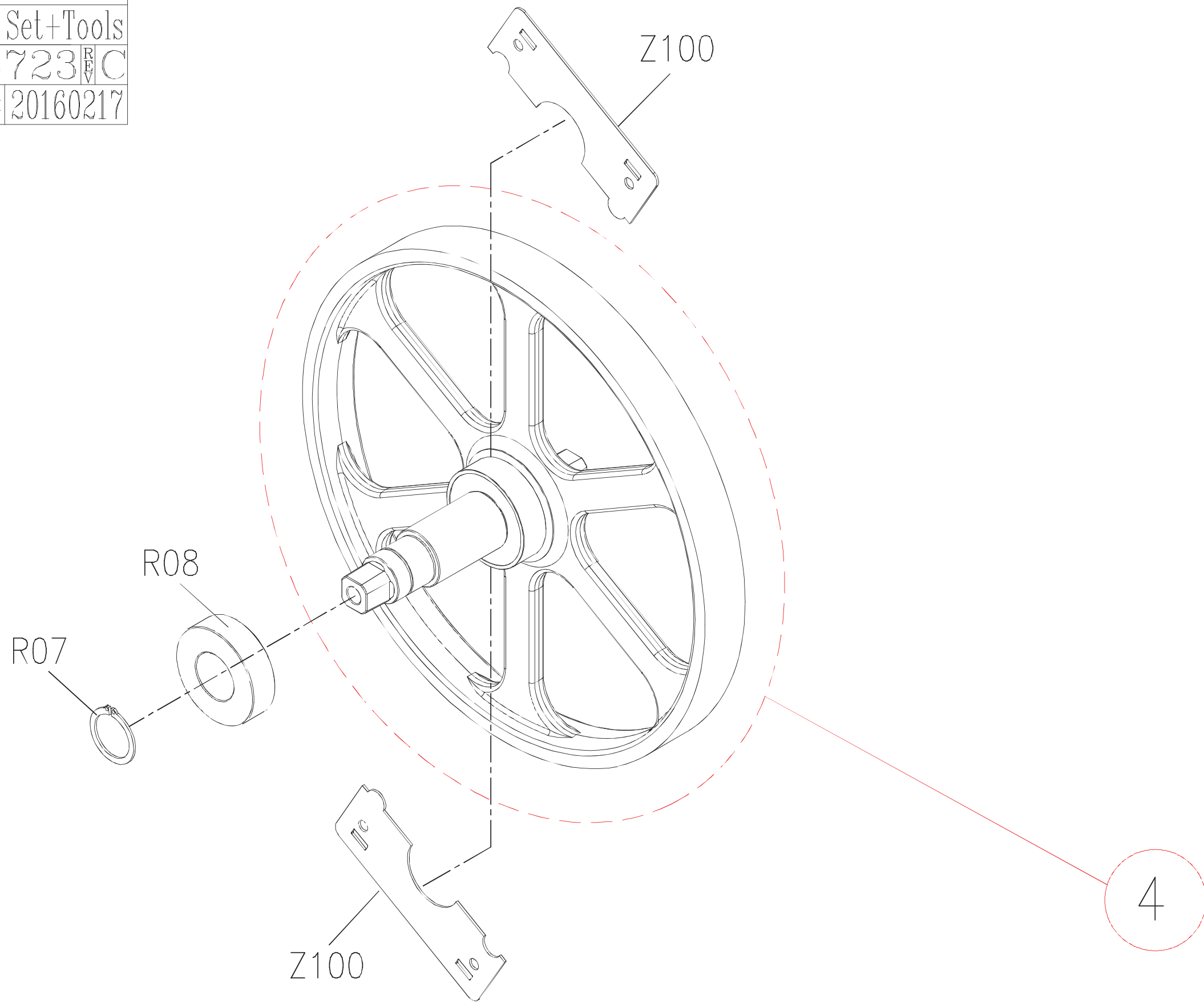
SAP No.	Description
1000309218	SLIVER
1000338740	PURPLE
1000338742	BLACK MATTE
1000346663	SUN ORANGE



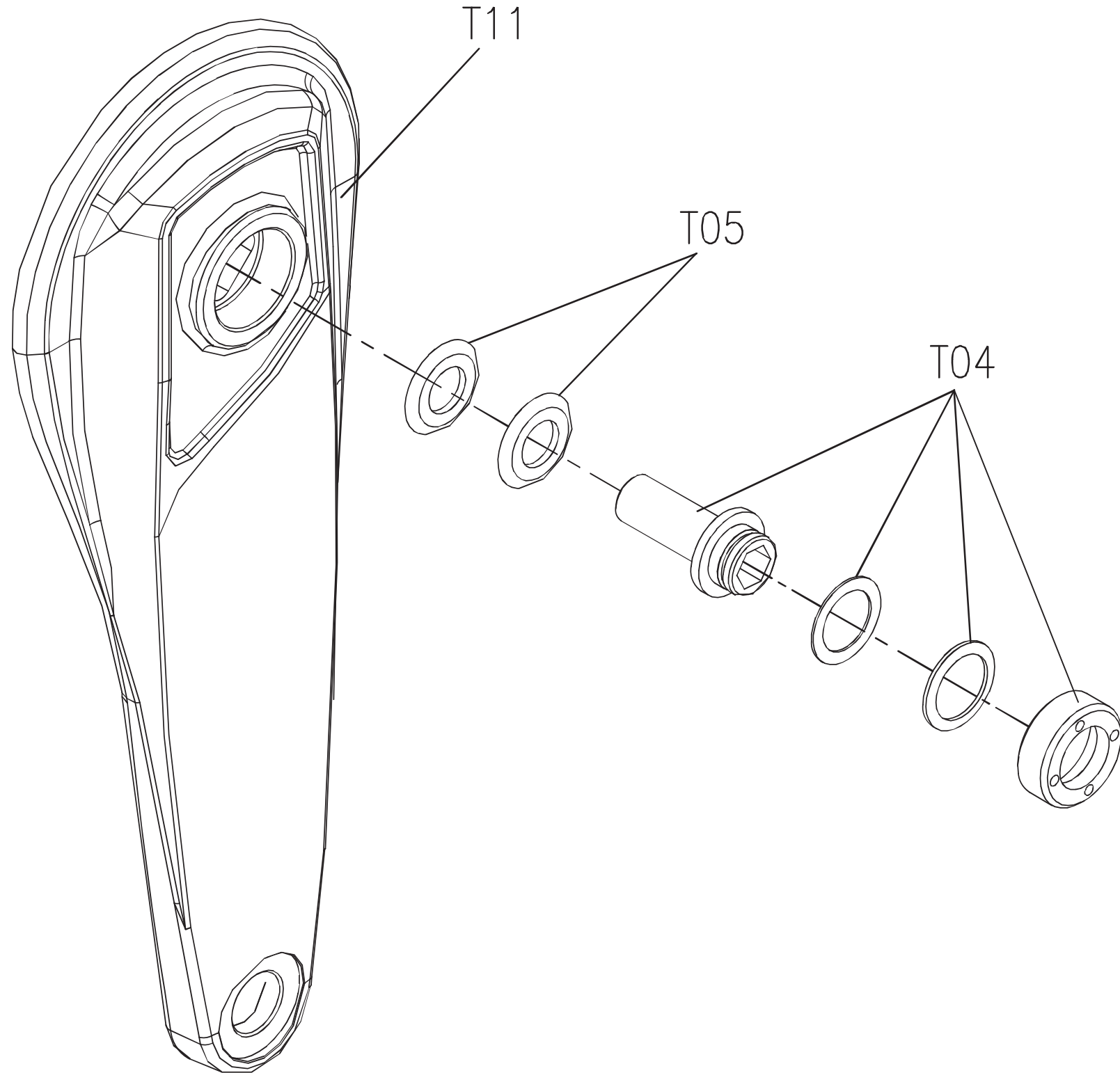
DRAWING NO	CB93-AR21		
PART NAME	Transmission Set		
PART NO	1000346721	$\frac{R}{E}$	B
APPROVE	KEN	DATE	20140408



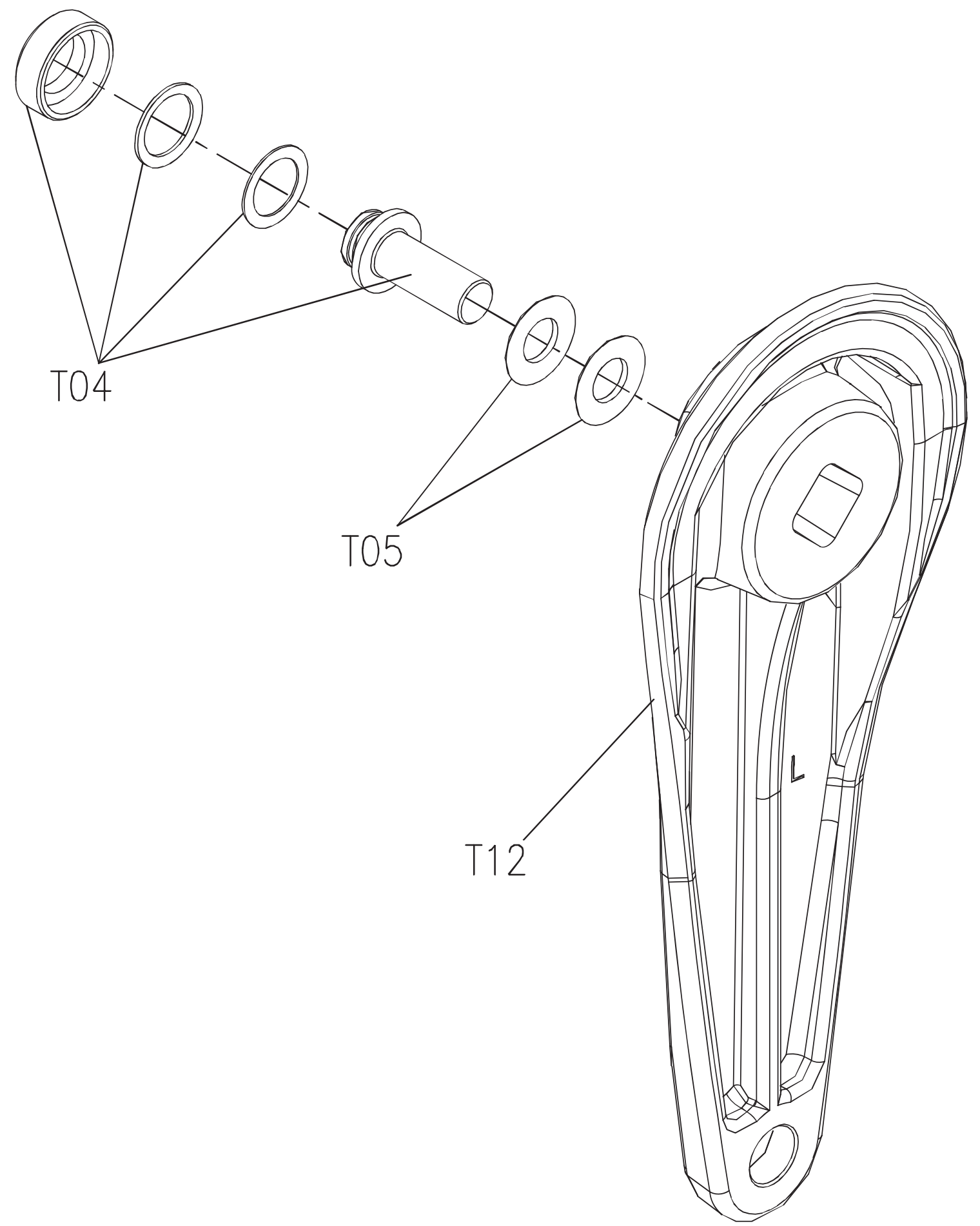
DRAWING NO	CB93-AR101		
PART NAME	Transmission Set+Tools		
PART NO	1000346723	REV	C
APPROVE	S.T.C	DATE	20160217



DRAWING NO	CB92-AT21		
PART NAME	Crank Set;R		
PART NO	1000346727	REV	B
APPROVE	KEN	DATE	20140408



DRAWING NO	CB92-AT22		
PART NAME	Crank Set;L		
PART NO	1000346728 <small>REV</small> B		
APPROVE	KEN	DATE	20140408



DRAWING NO	RB307-AC4		
PART NAME	CONSOLE MAST SET		
PART NO	See attached Chart 		
APPROVE	Eason	DATE	20141104

SAP No.	Description
1000230413	SILVER
1000337878	PURPLE (NO DECAL)
1000338058	BLACK MATTE
1000348887	BLACK MATTE(Fitness park)
1000348894	BLACK MATTE(Moving express)
1000348992	BLACK MATTE(Groupe moving)
1000355295	Red (Workout Anytime)

