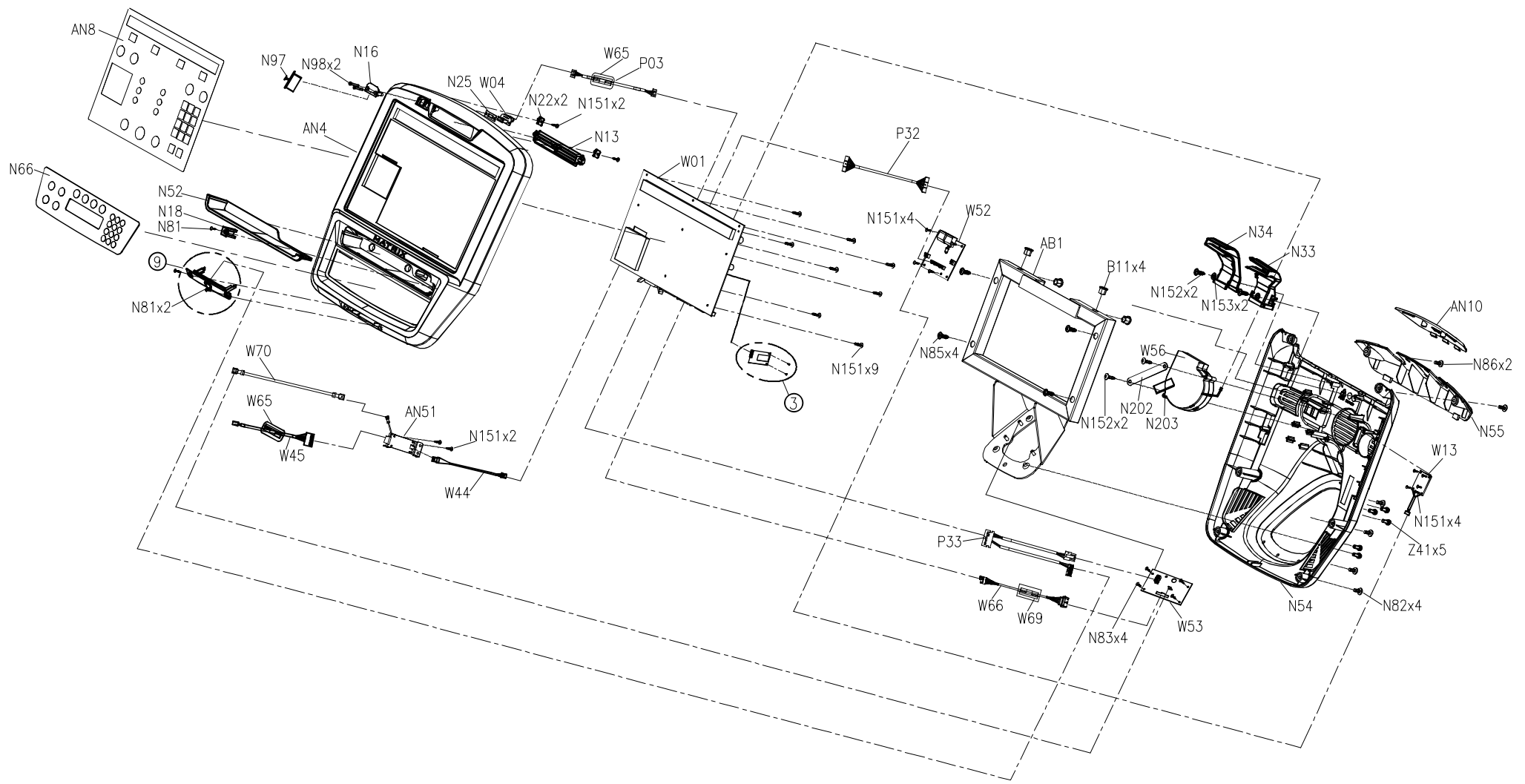
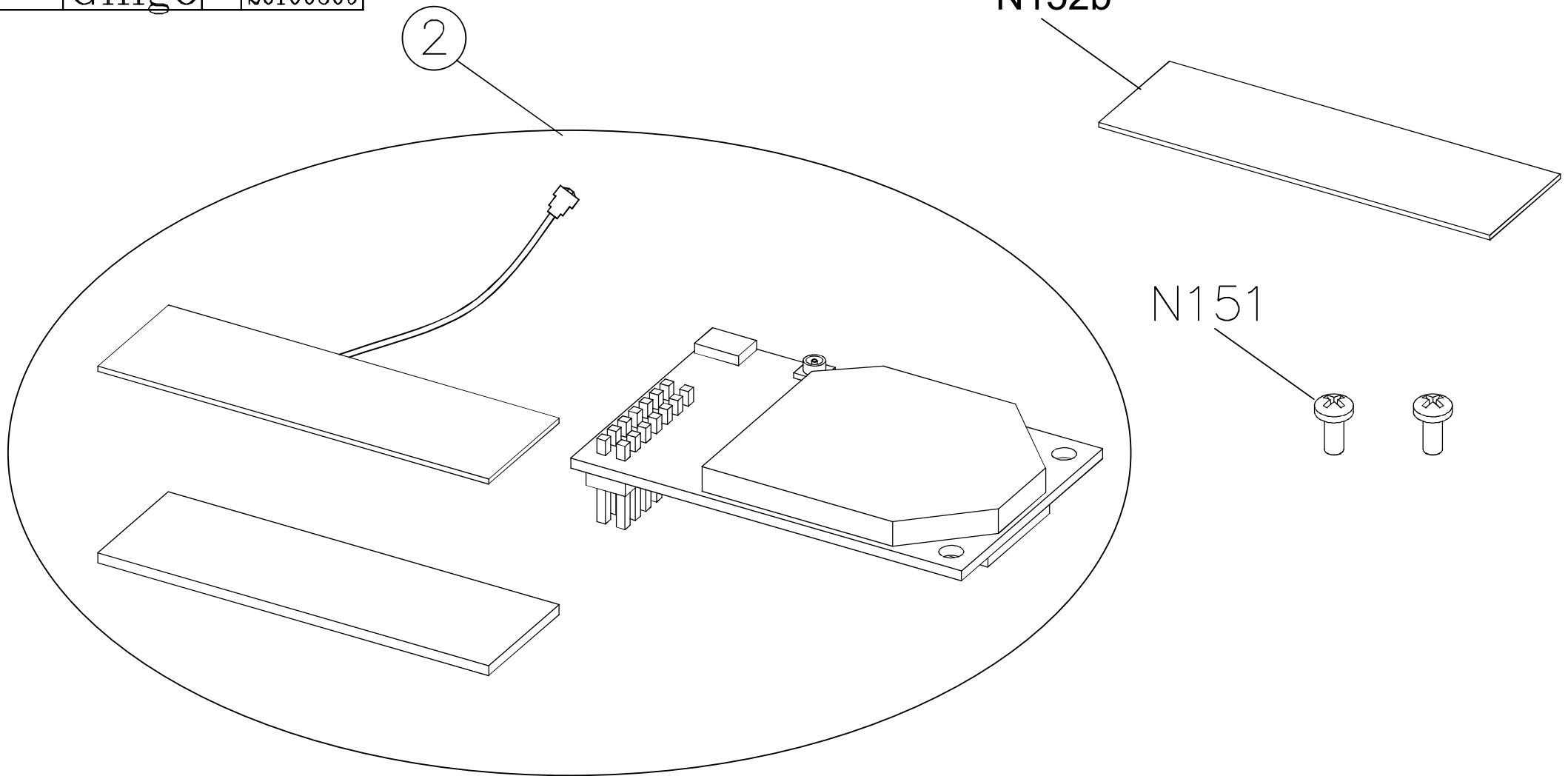


DRAWING NO	EP624D-AN11		
PART NAME	CONSOLE SET		
PART NO	1000380499	REV	A
APPROVE	Mike	DATE	20151214

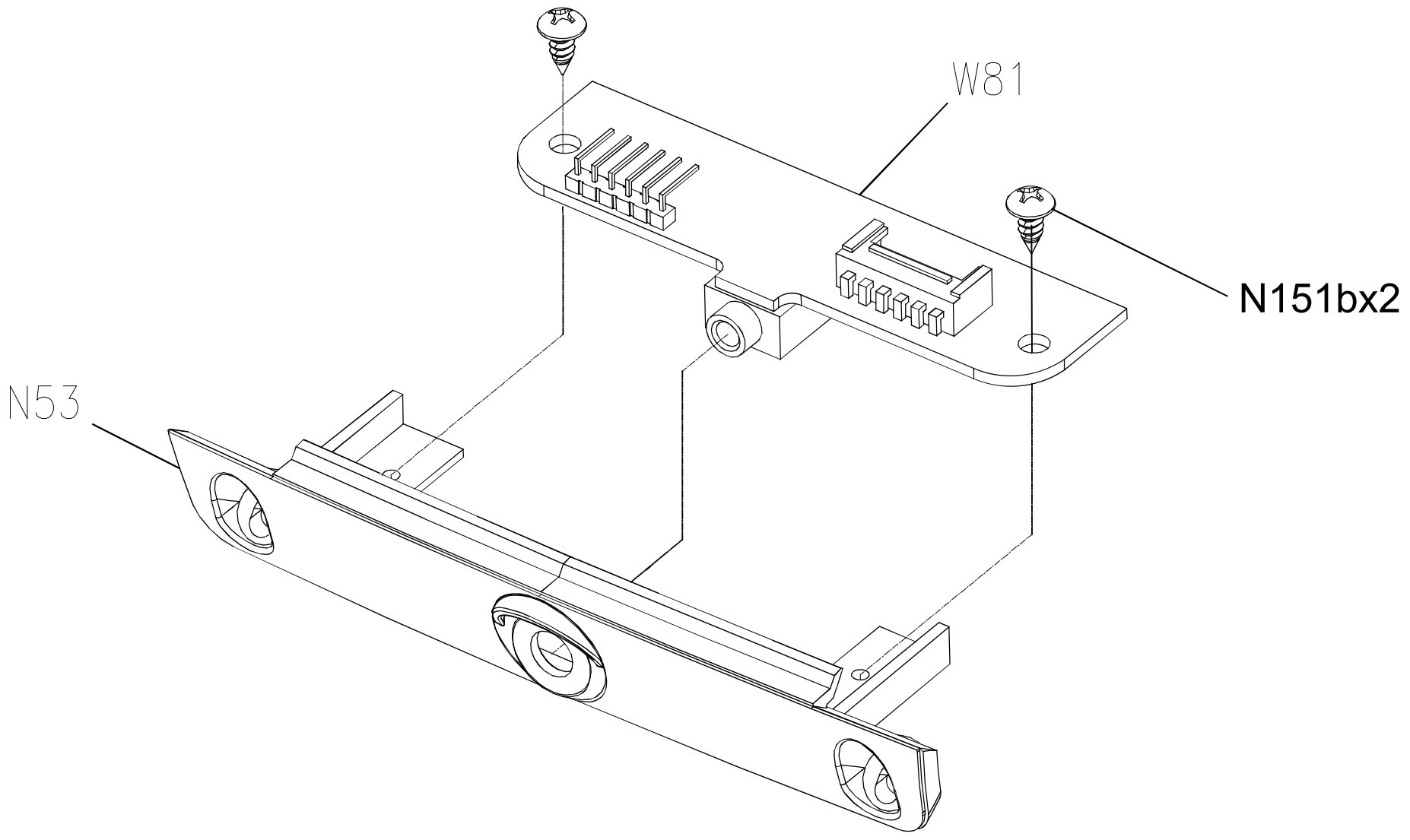


DRAWING NO	EP619B-AW31		
PART NAME	WIFI Wireless module Set		
PART NO	1000366472	REV	B
APPROVE	Gingo	DATE	20160309



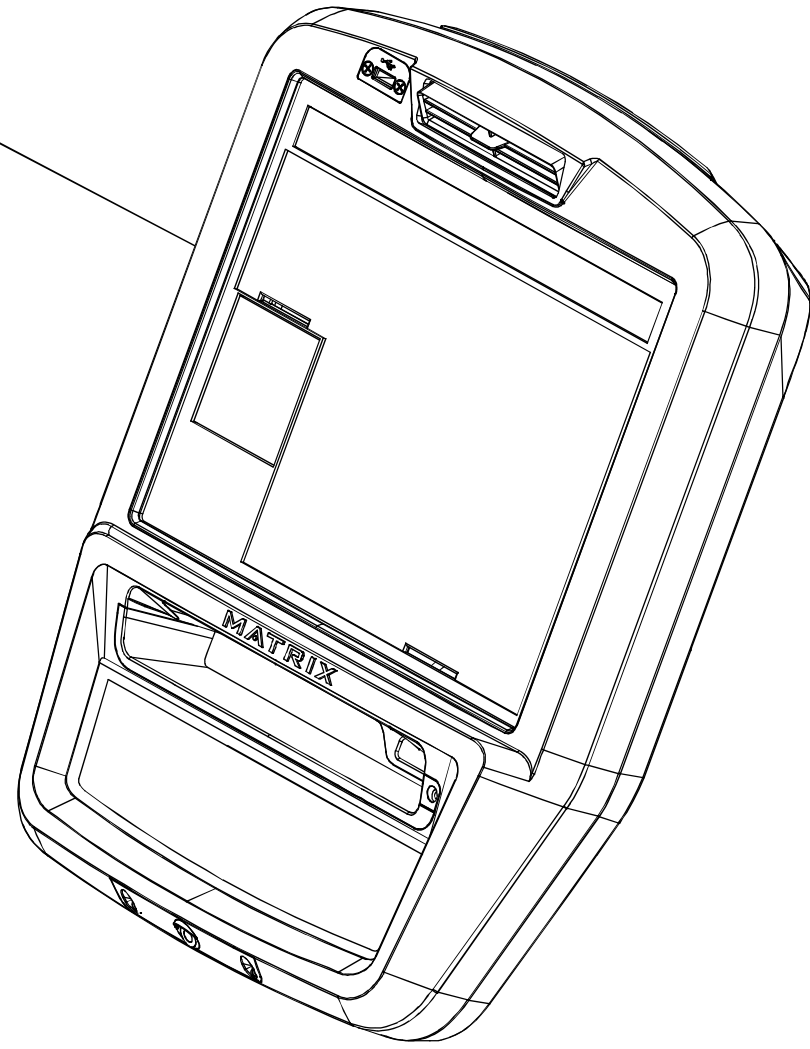
備註: 1. 軟體版次請見SAP

DRAWING NO	EP620-AN31		
PART NAME	Earphone board set		
PART NO	1000366515  B		
APPROVE	Heady	DATE	2015.06.2



DRAWING NO	EP624B-A05		
PART NAME	Assembly View		
PART NO	1000380468A		
APPROVE	Heady	DATE	20151204

21



SAP PART NO
MEP0594-00
MEP0596-00