
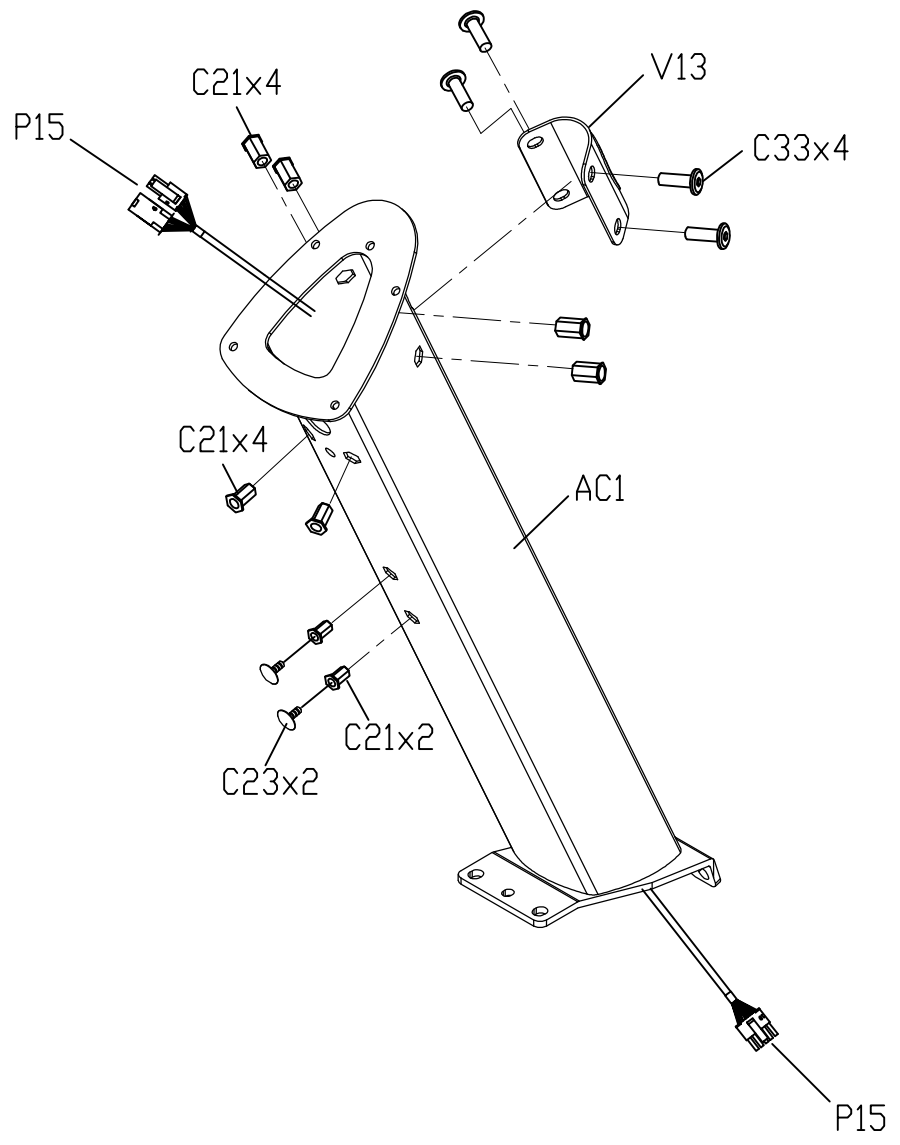
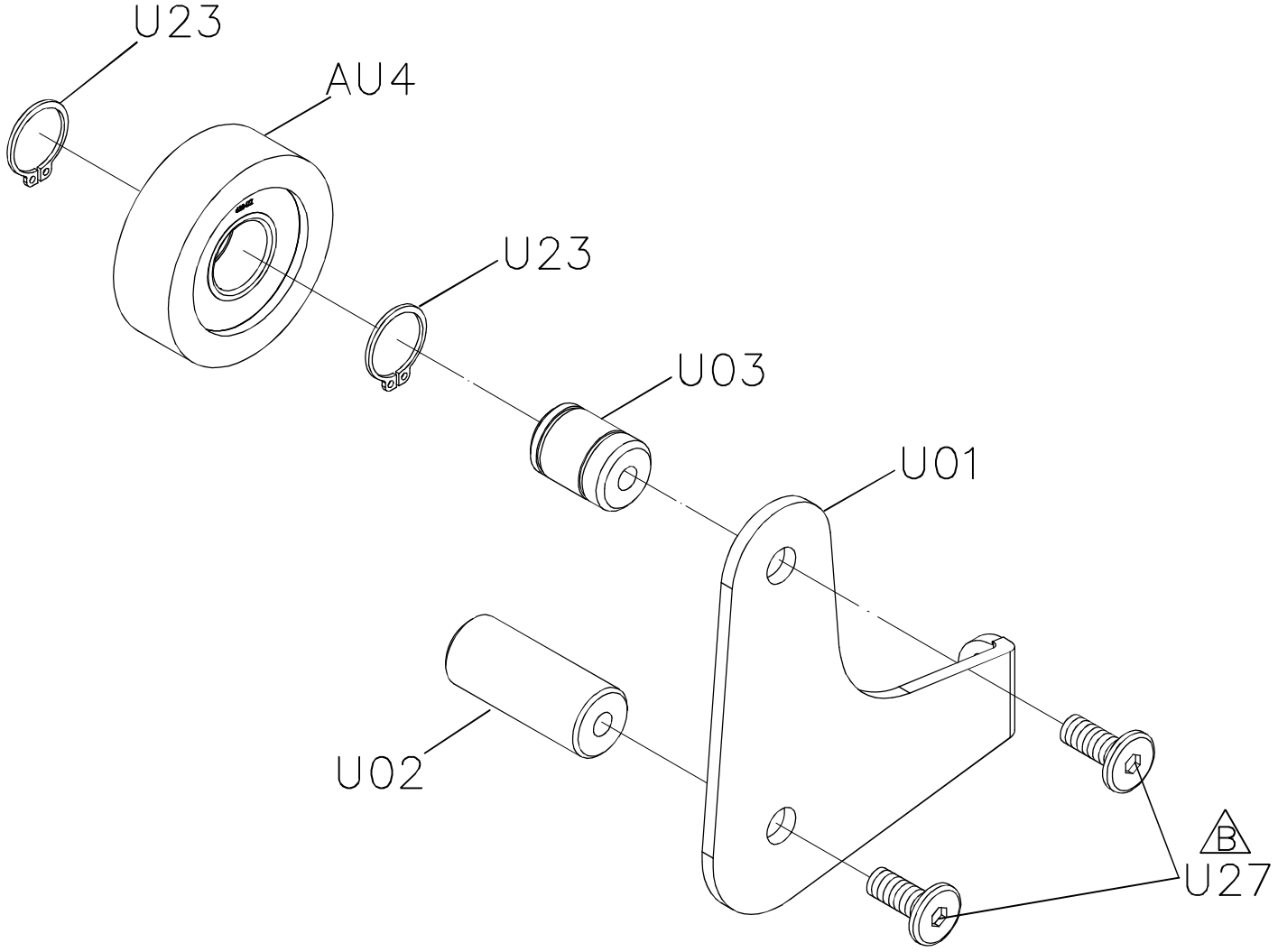


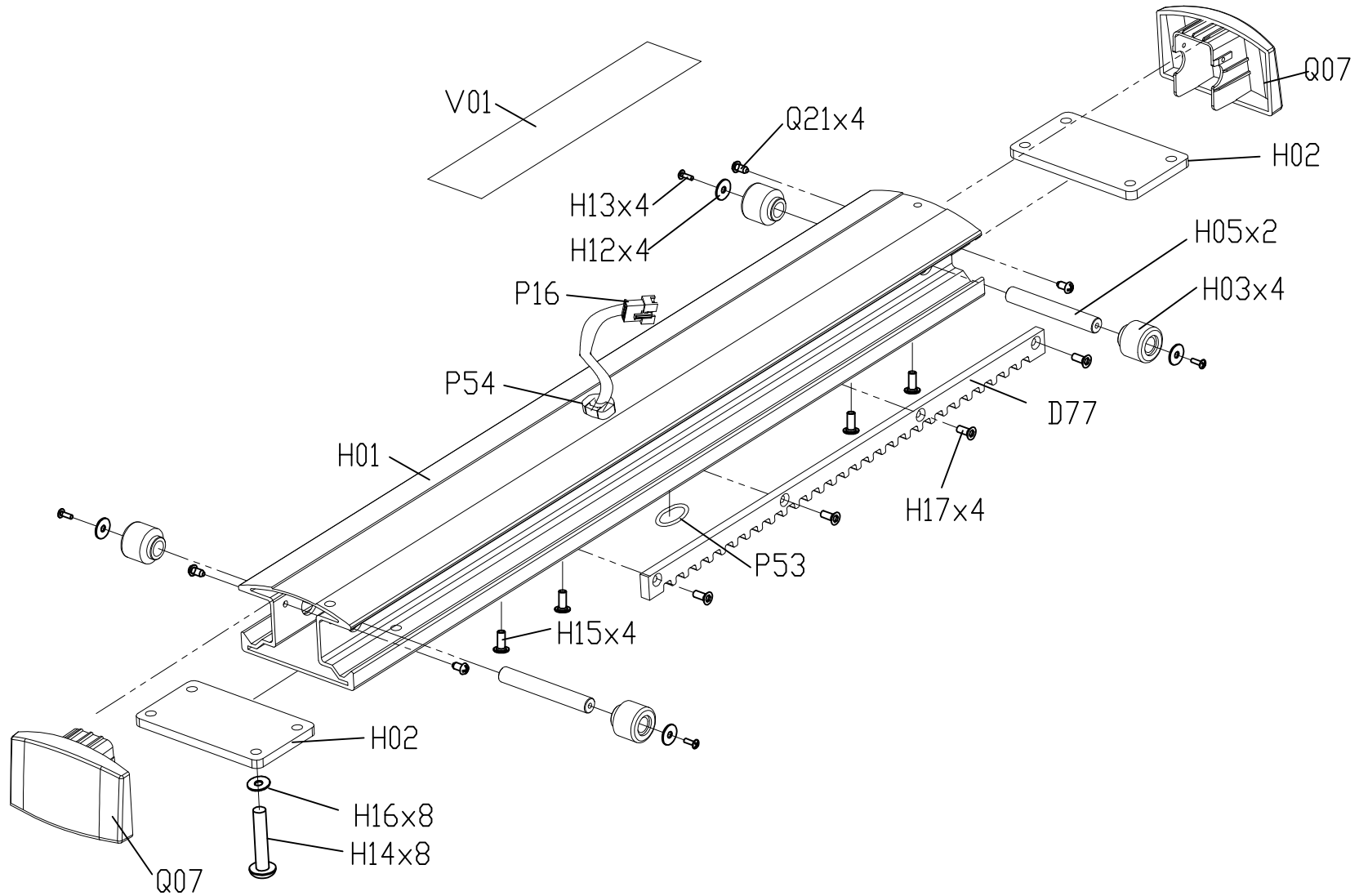
DRAWING NO	RB91B-AC13		
PART NAME	Console Mast Set		
PART NO	1000216438  B		
APPROVE	KEN	DATE	062011



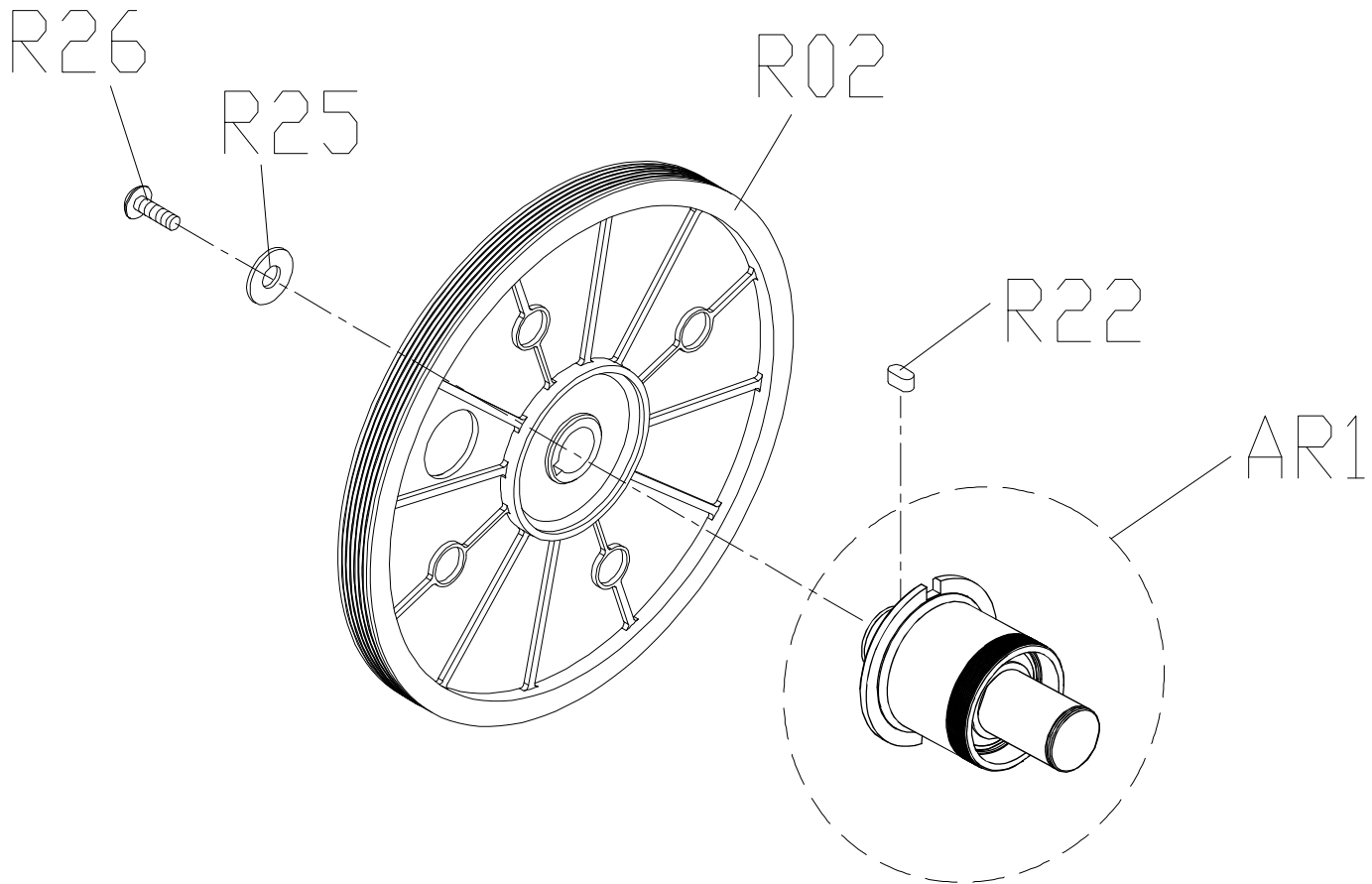
DRAWING NO	RB91-AU3		
PART NAME	Idler Set		
PART NO	0000095415		
APPROVE	sammi	DATE	2014.06.13



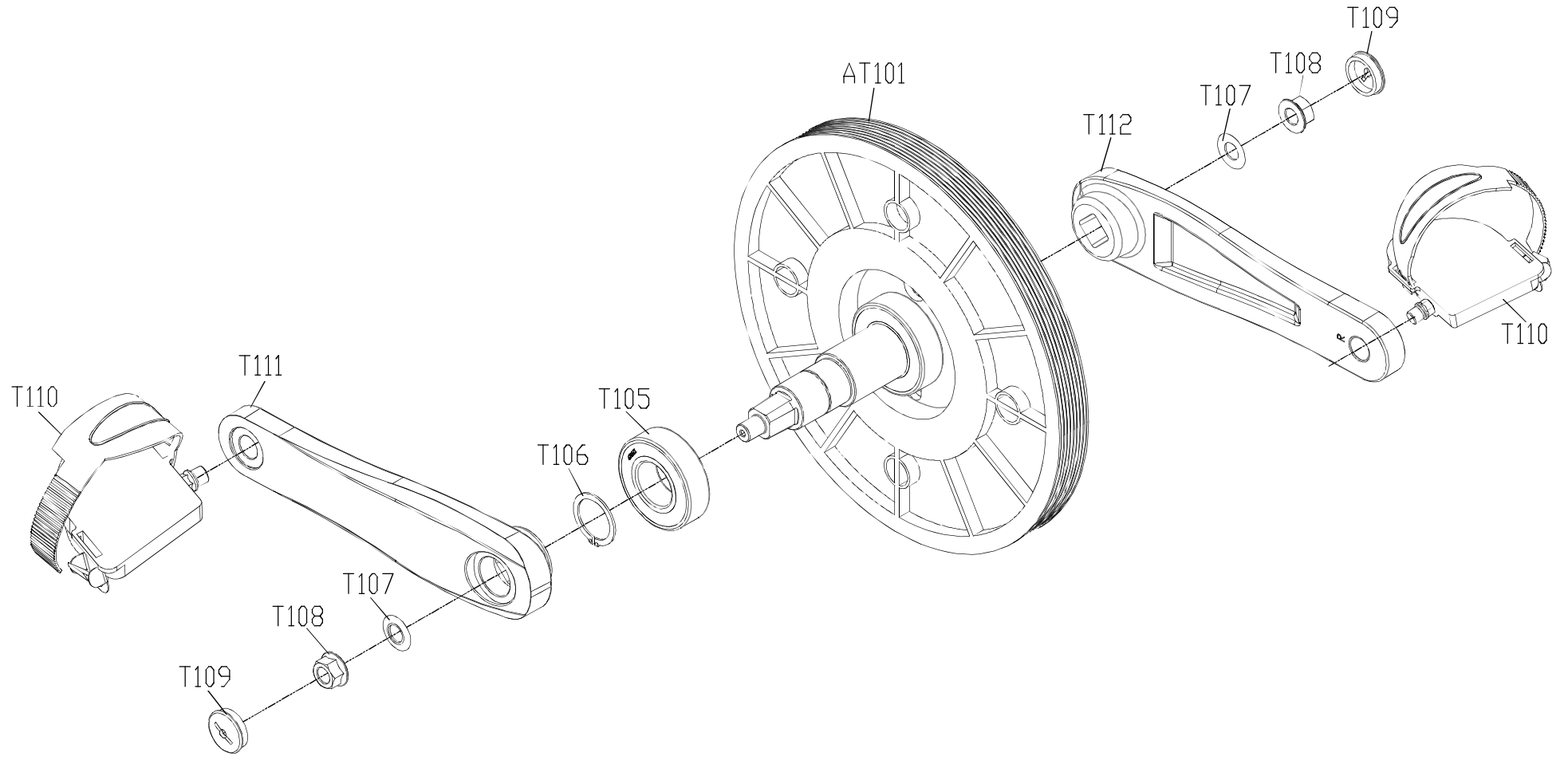
DRAWING NO	RB91-AH1		
PART NAME	Guid Rail Set		
PART NO	0000090887		
APPROVE	SHUYI	DATE	092811



DRAWING NO	RB91-AR2		
PART NAME	Transmission Set		
PART NO	0000090893 E		
APPROVE	sammi	DATE	214.05.16

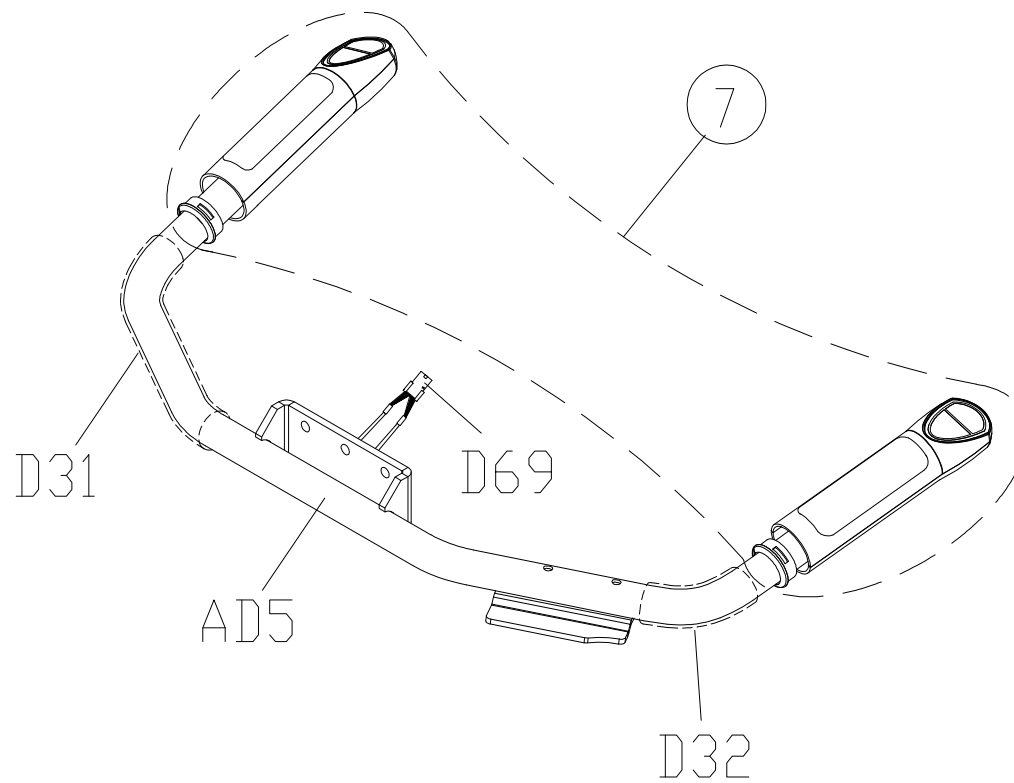


DRAWING NO	CB72-AT100		
PART NAME	Pedal Axle Set;+Crank		
PART NO	1000387880	REV	C
APPROVE	Lewis	DATE	053016

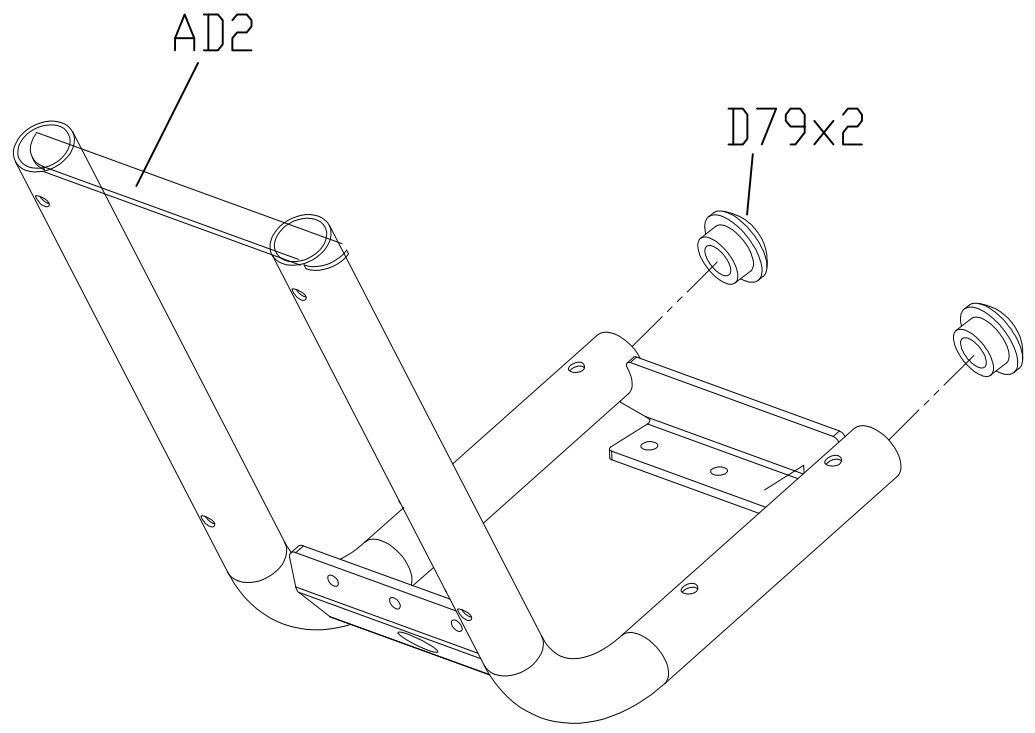


DRAWING NO	RB91-AD7		
PART NAME	Seat Handlebar Set		
PART NO	As Attachment  D		
APPROVE	SHUYI	DATE	12.24.10

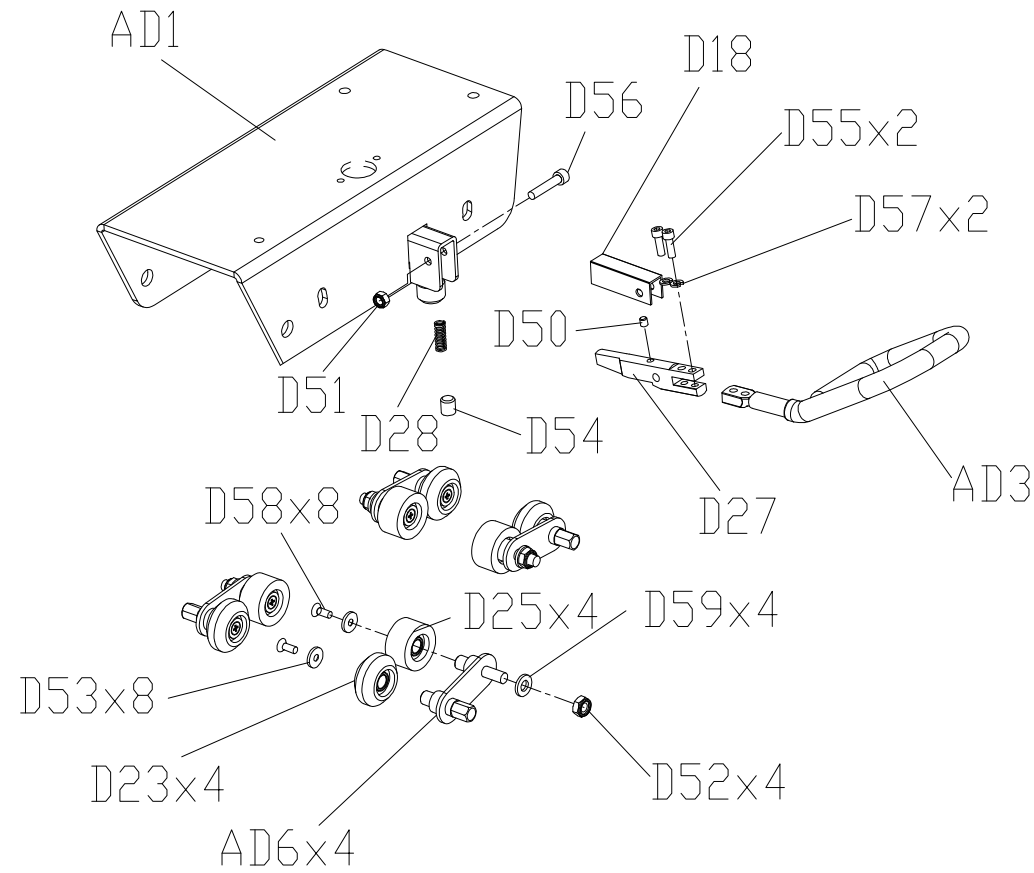
料 號	物 料 說 明
0000088315	Seat Handlebar Set;Eng;R5x-F
0000091677	Seat Handlebar Set;Jap;R5x-F




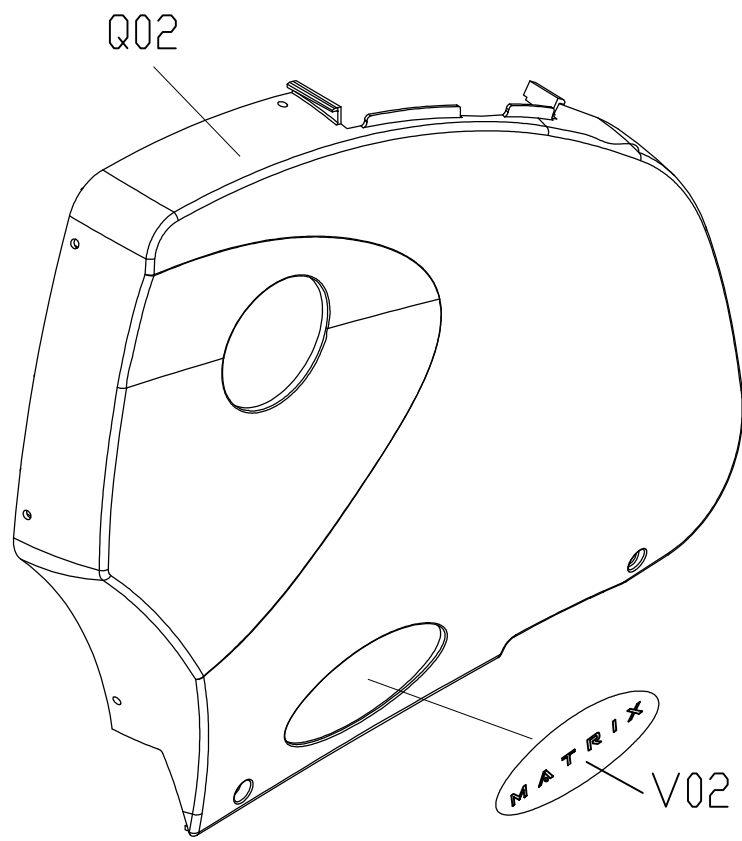
DRAWING NO	RB91-AD12		
PART NAME	Back Pad Tube Set		
PART NO	0000090883 B		
APPROVE	SHUYI	DATE	12.23.10



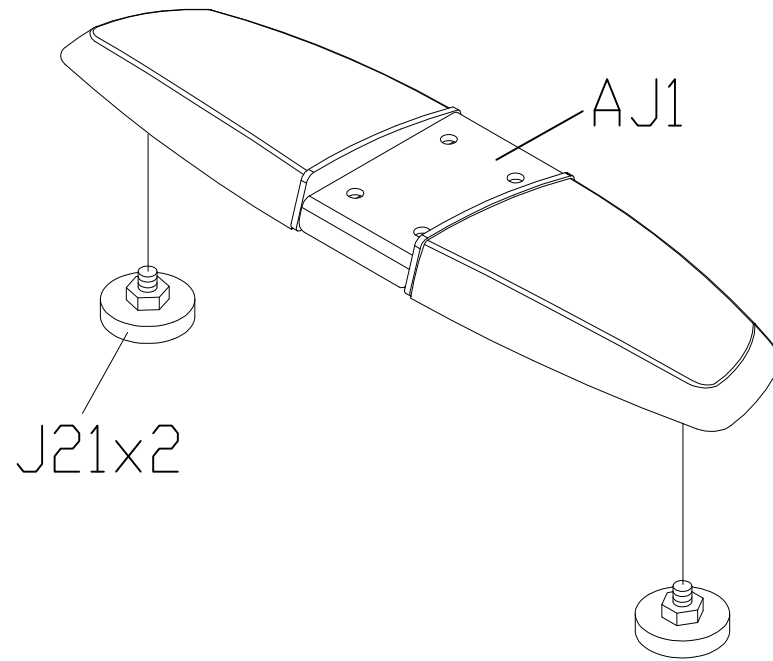
DRAWING NO	RB91-AD4		
PART NAME	Seat Slide Set		
PART NO	0000090881 REV D		
APPROVE	SHUYI	DATE	011011



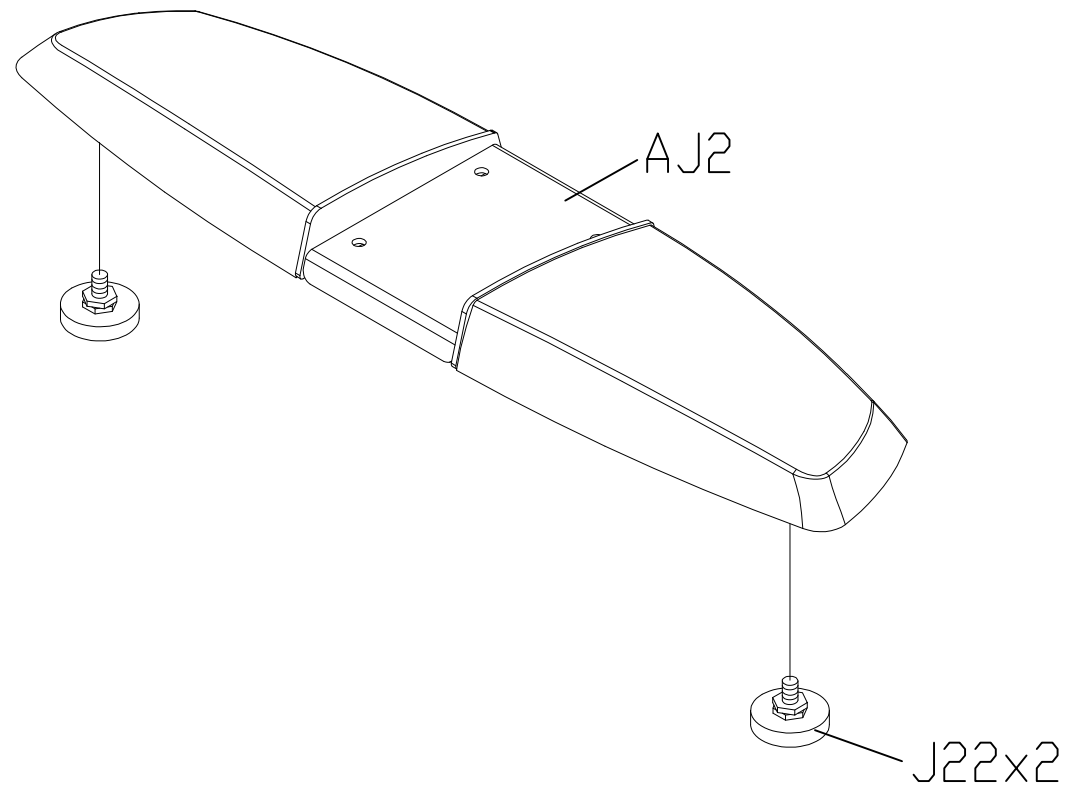
DRAWING NO	RB91B-AQ22		
PART NAME	Right Cover Set		
PART NO	1000216428  A		
APPROVE	KEN	DATE	050311



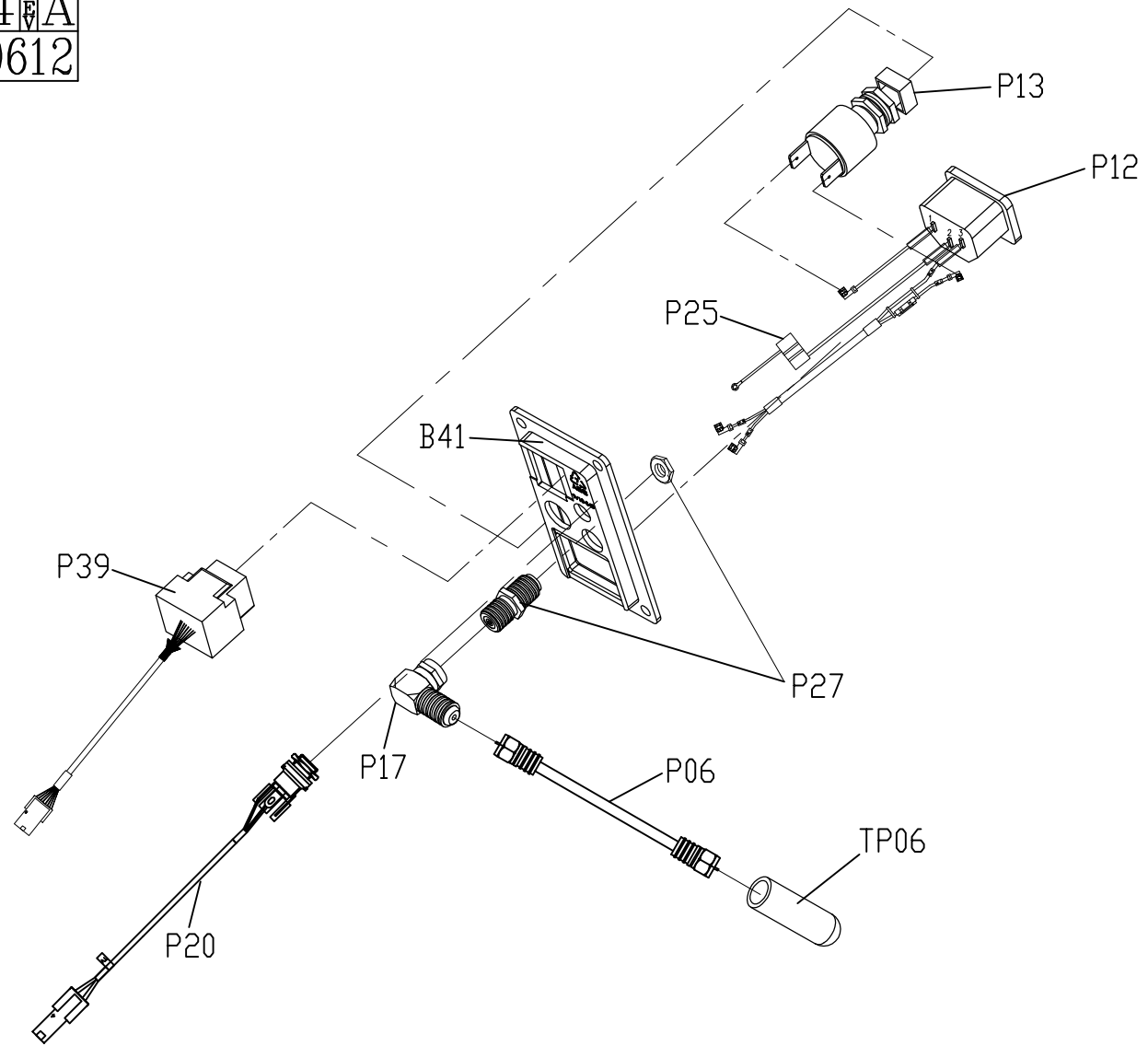
DRAWING NO	CB72-AJ11		
PART NAME	Stabilize SET;Front		
PART NO	0000090810 B		
APPROVE	SHUYI	DATE	2010.12.03




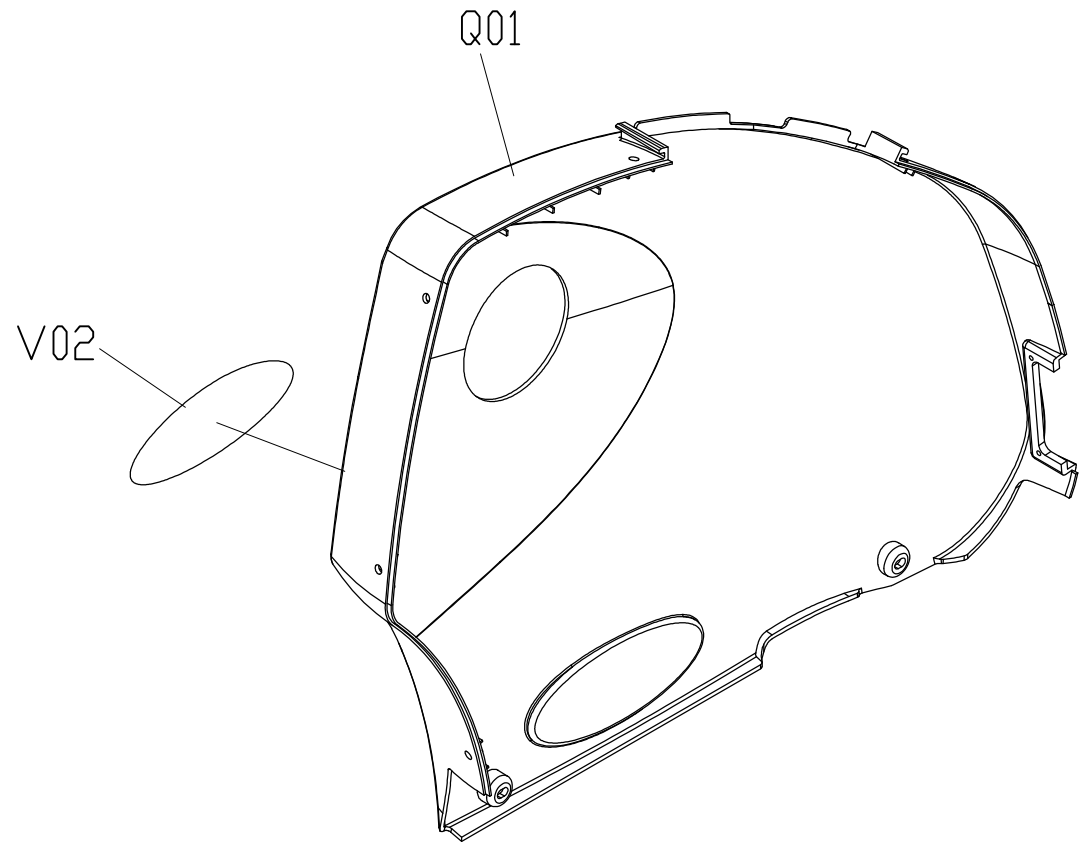
DRAWING NO	CB72-AJ12		
PART NAME	Stabilize SET;Rear		
PART NO	0000090809 B		
APPROVE	SHUYI	DATE	2010.12.03



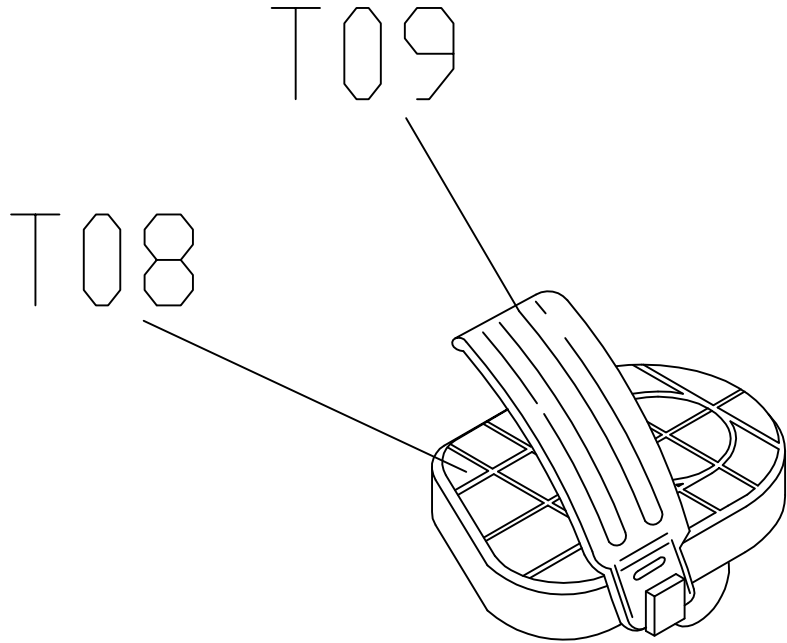
DRAWING NO	RB91B-AP11		
PART NAME	Fix Plate Set;E-Port		
PART NO	1000230704	REV	A
APPROVE	YUTING	DATE	030612



DRAWING NO	RB91B-AQ21		
PART NAME	Left Cover Set		
PART NO	1000216427  A		
APPROVE	KEN	DATE	050311



DRAWING NO	CB32B-T07		
PART NAME	PEDAL SET		
PART NO	014724-A		
APPROVE	JohnW	DATE	20160619



DRAWING NO	CB72-AC15		
PART NAME	Grip Set;Sensor;Right		
PART NO	As Attachment		
APPROVE	Rain	DATE	2011.04.28

