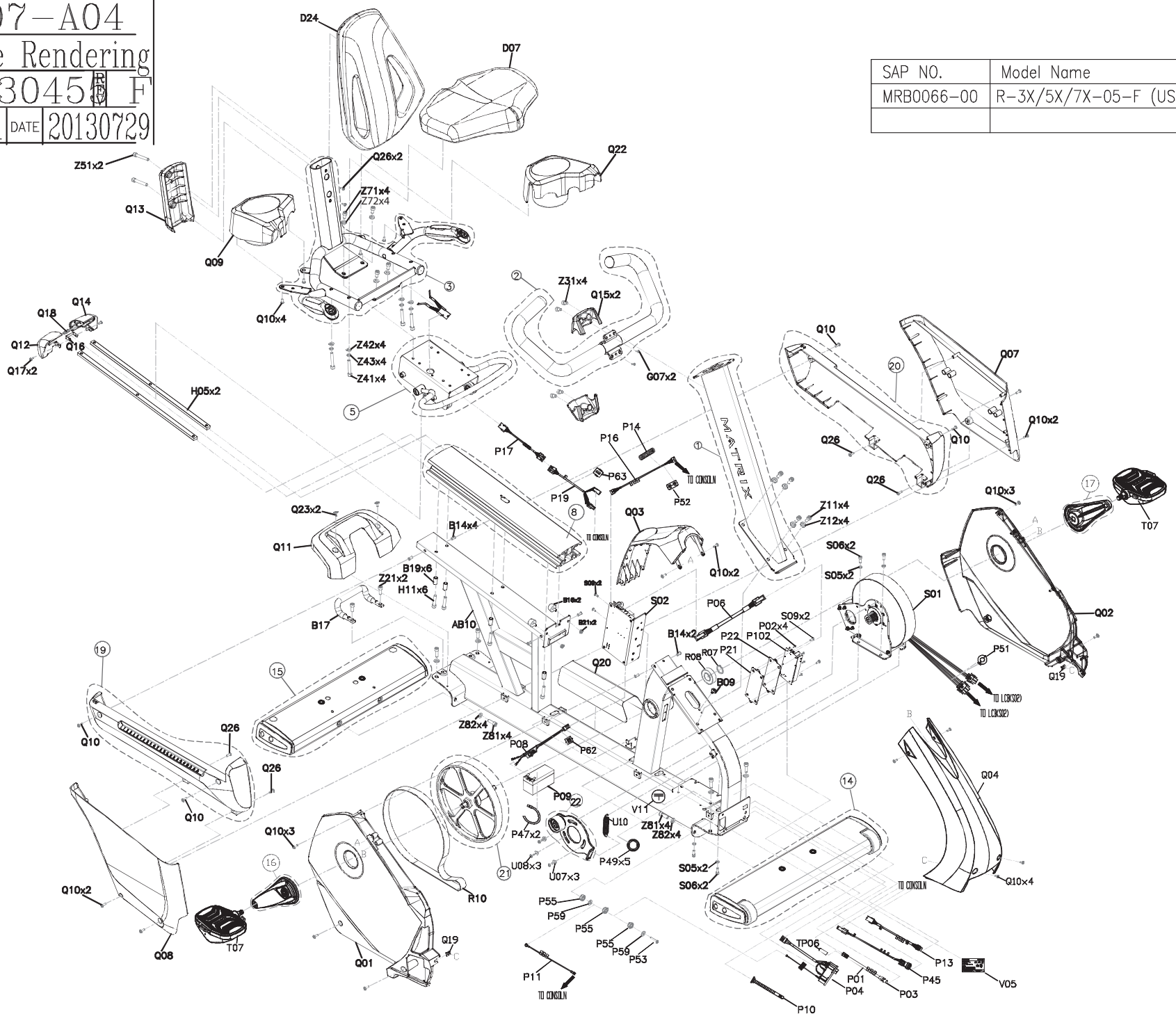
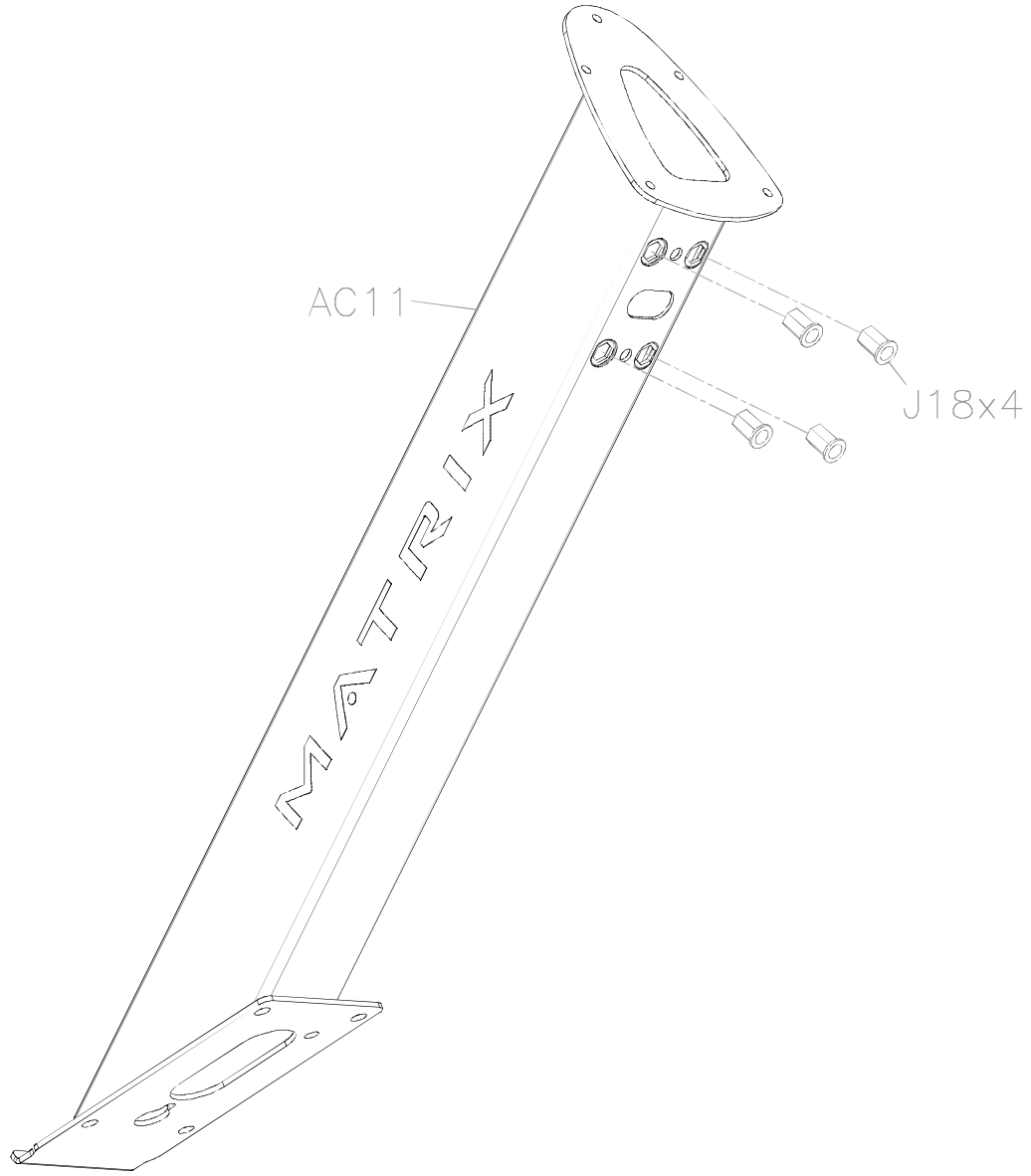


DRAWING NO	RB307-A04		
PART NAME	Explosive Rendering		
PART NO	100023045 F		
APPROVE	Eason	DATE	20130729

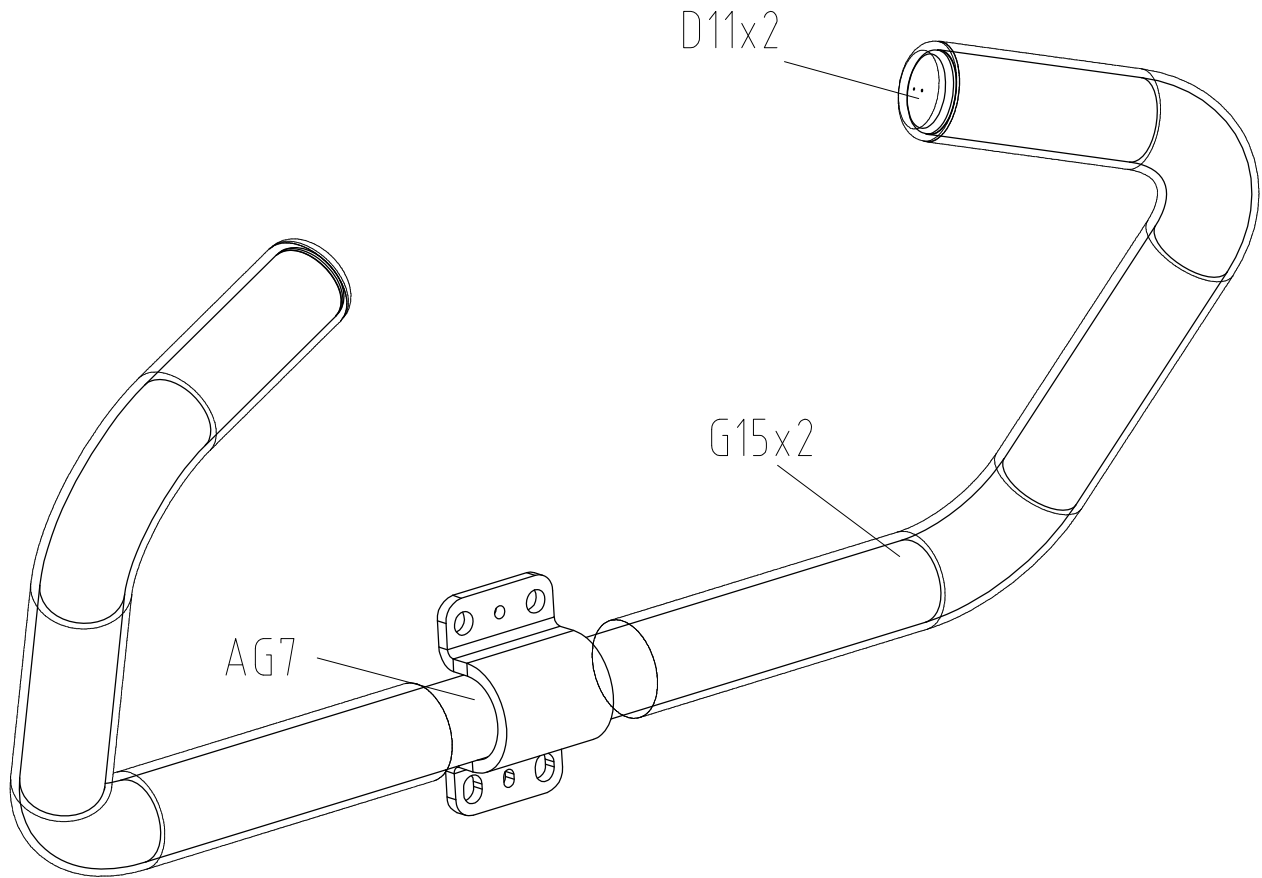
SAP NO.	Model Name
MRB0066-00	R-3X/5X/7X-05-F (US)



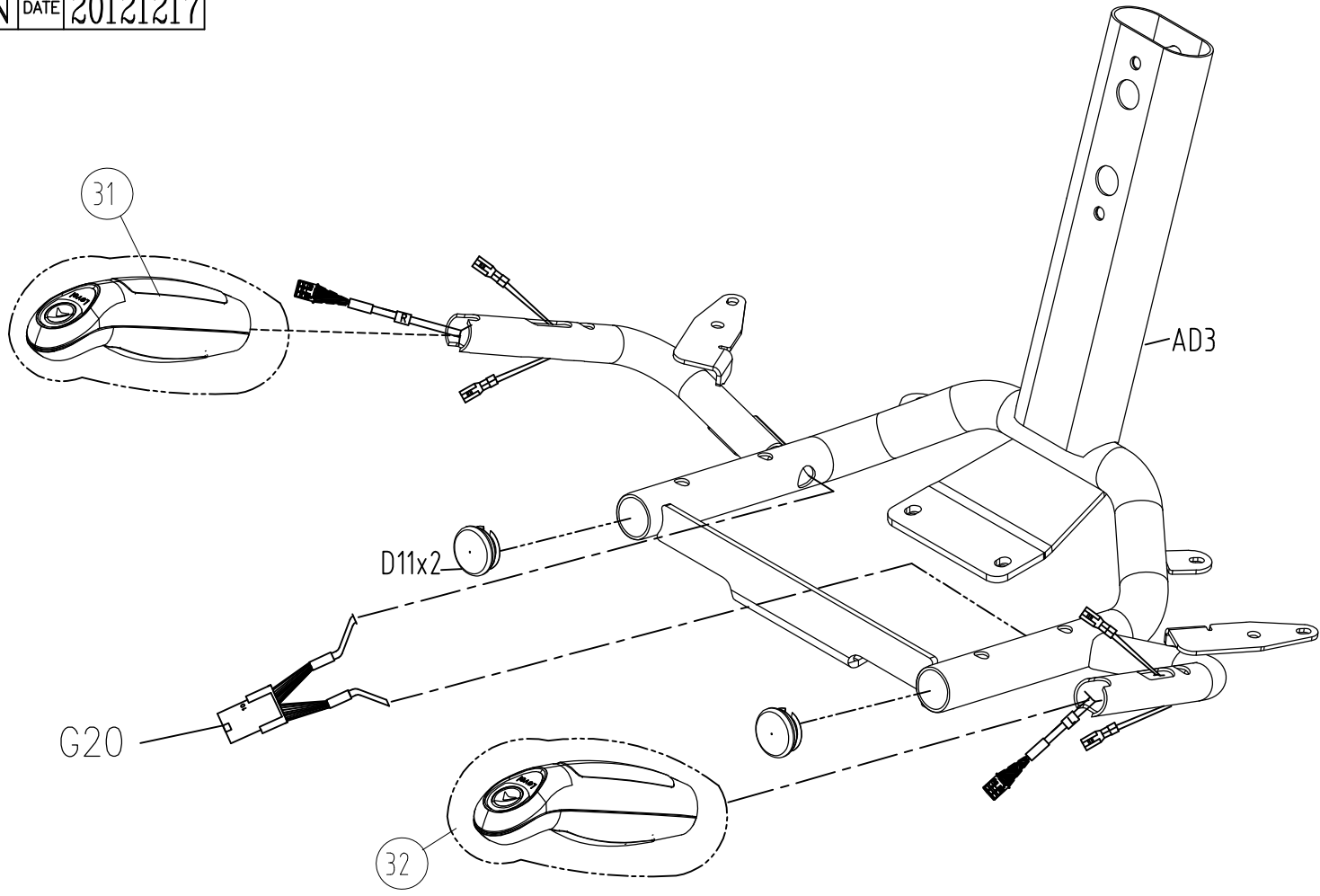
DRAWING NO	RB307-AC4		
PART NAME	Console Mast Set		
PART NO	1000230413	REV	C
APPROVE	EASON	DATE	20130729



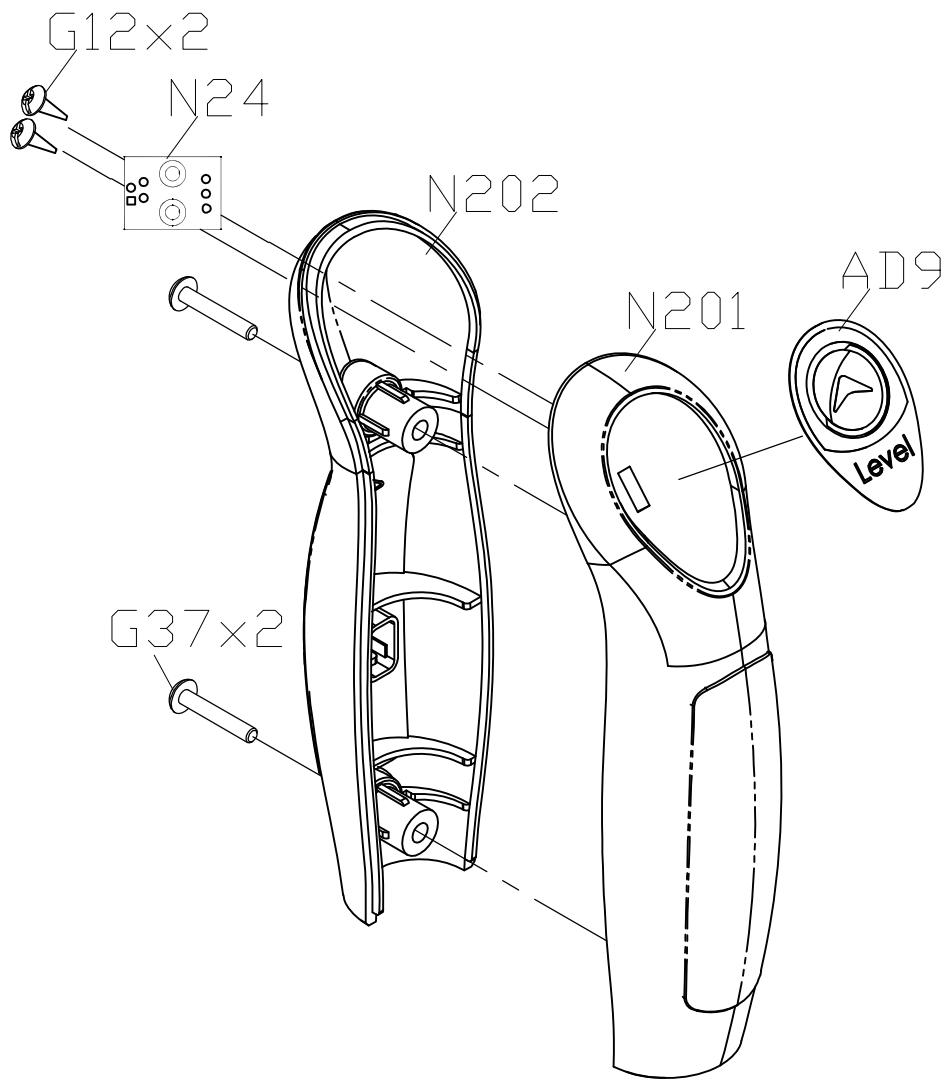
DRAWING NO	RB307-AG2		
PART NAME	Handlebar Set		
PART NO	1000230415		
APPROVE	EASON	DATE	20130312



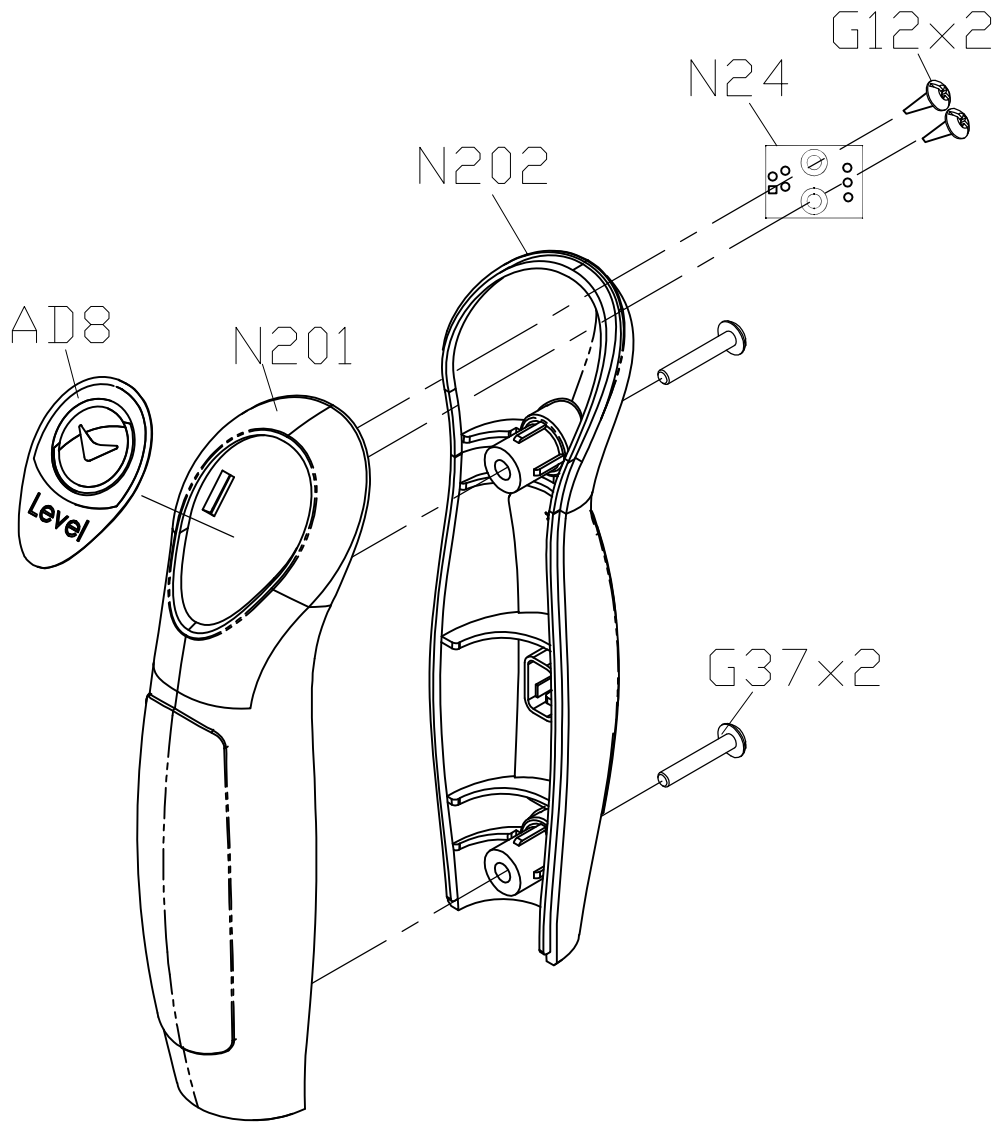
DRAWING NO	RB307-AD1		
PART NAME	Seat Set		
PART NO	1000230418	REV	C
APPROVE	EASON	DATE	20121217



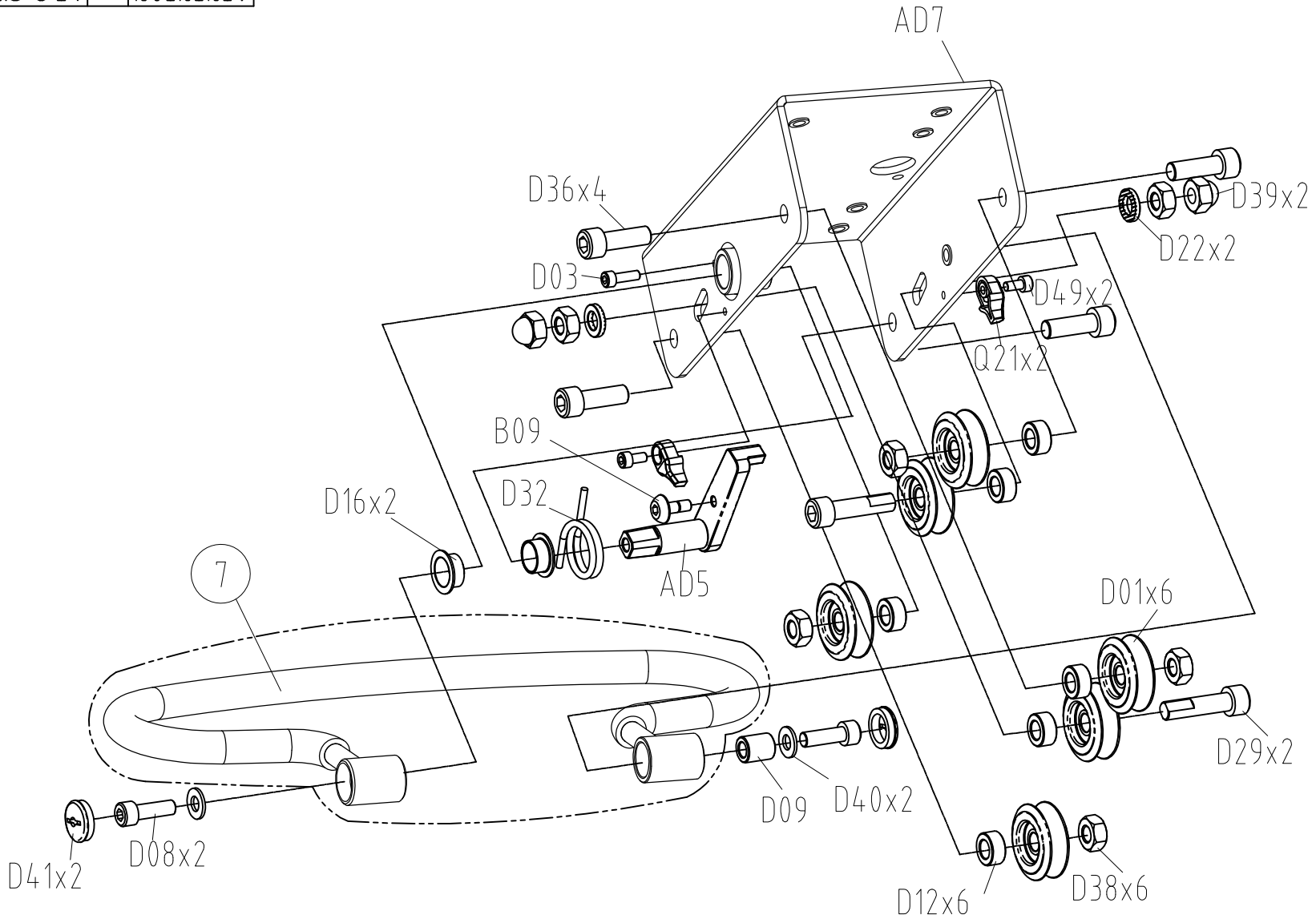
DRAWING NO	CB93-AG7		
PART NAME	Heart Sensor Set;Grip;R		
PART NO	1000302039		
APPROVE	HERMES	DATE	20130108



DRAWING NO	CB93-AG8		
PART NAME	Heart Sensor Set;Grip:L		
PART NO	1000302043		
APPROVE	HERMES	DATE	20130108



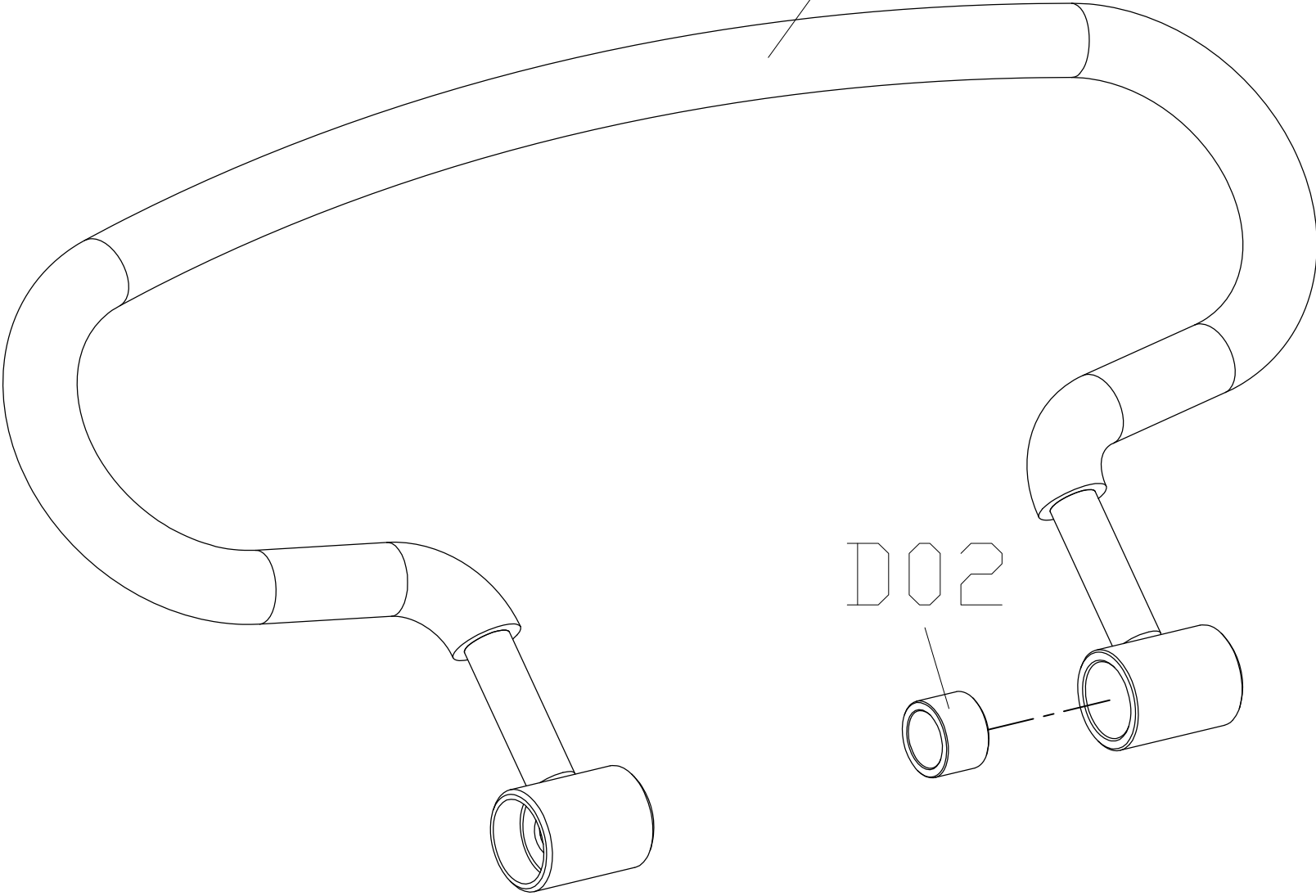
DRAWING NO	RB307-AD2		
PART NAME	Seat Slide Set		
PART NO	1000309218  B		
APPROVE	EASON	DATE	20121217



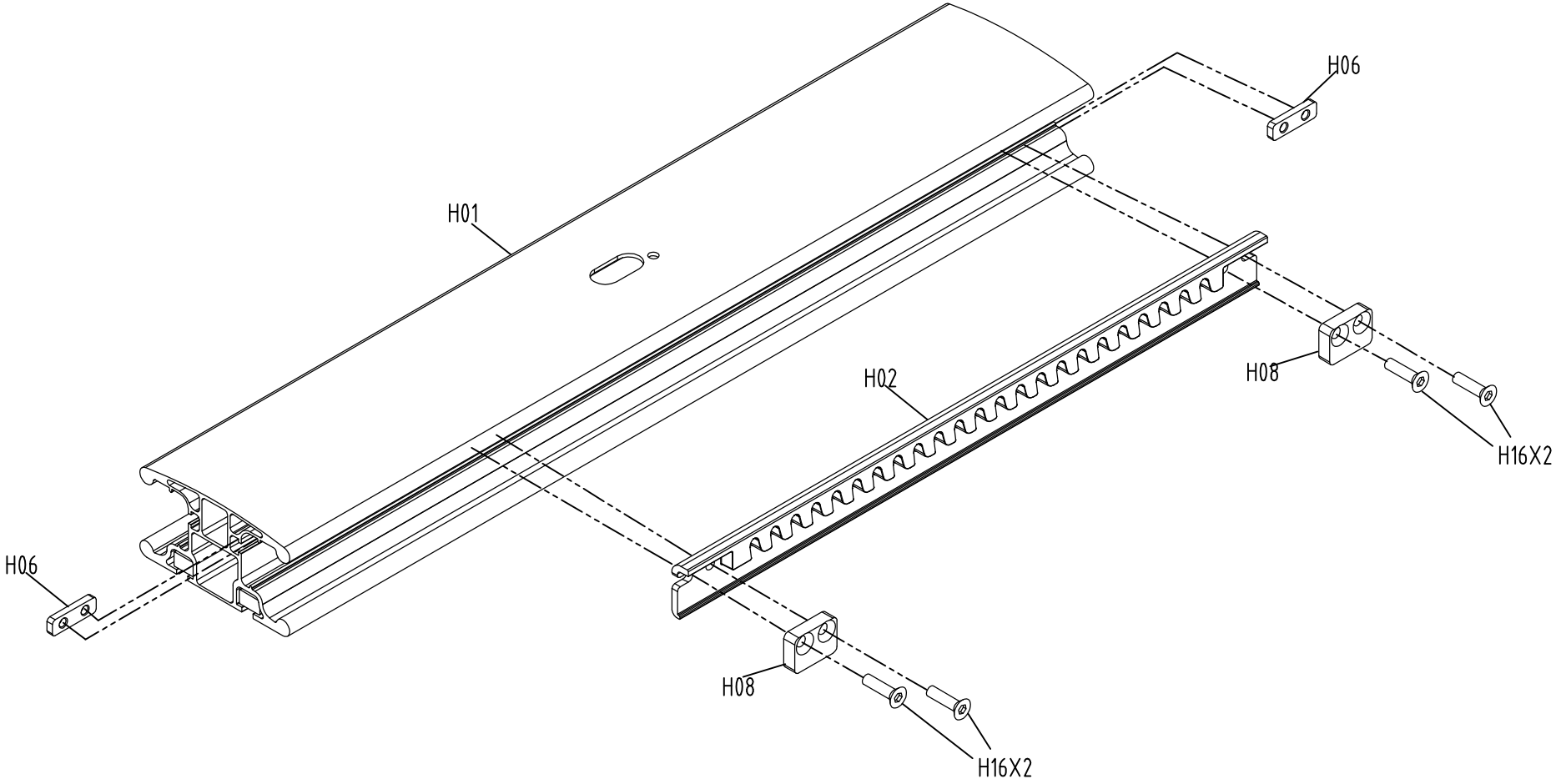
DRAWING NO	RB307-AG11		
PART NAME	ADJ Handbar		
PART NO	1000230420		B
APPROVE	EASON	DATE	130108

D19

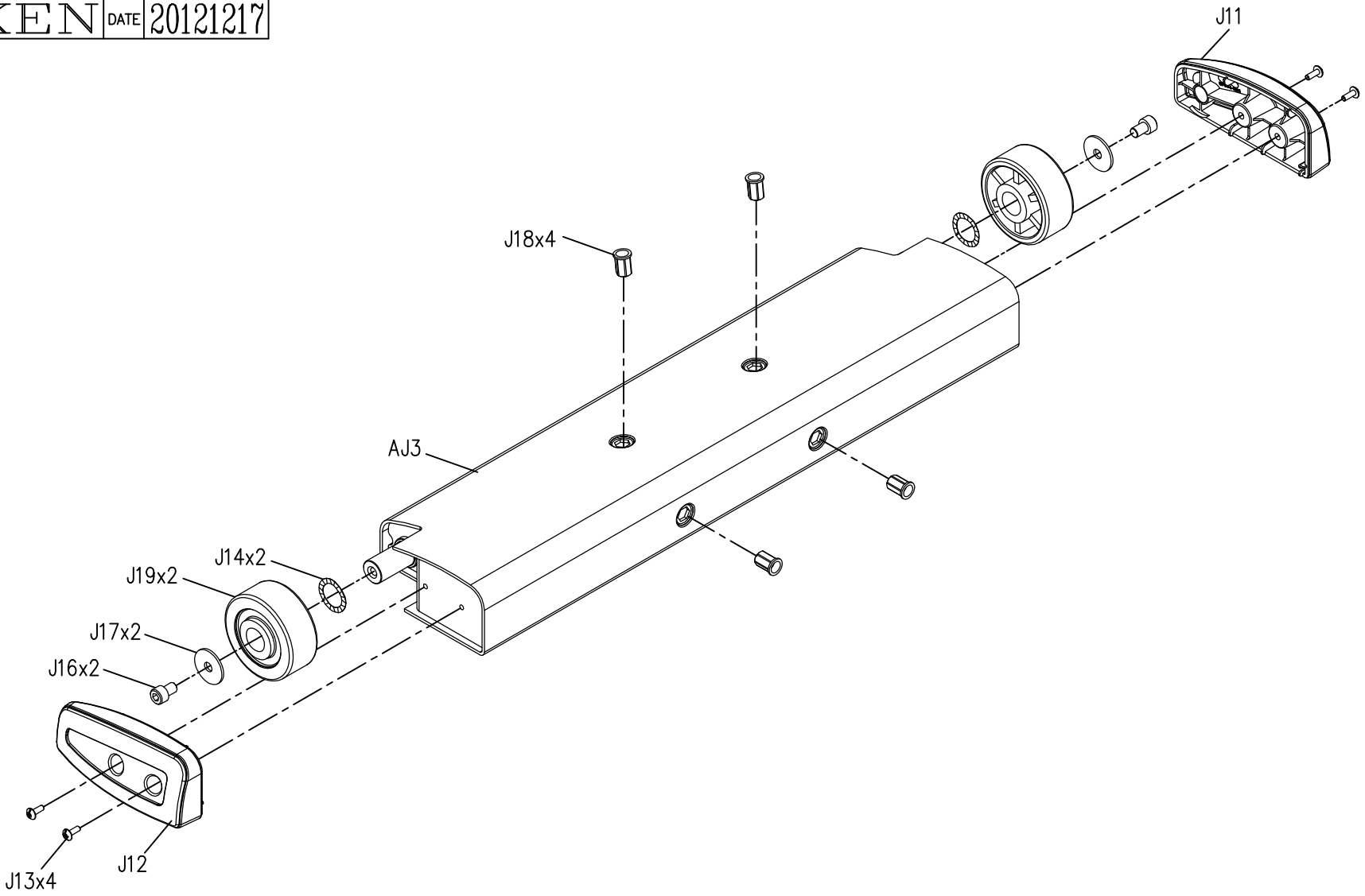
D02



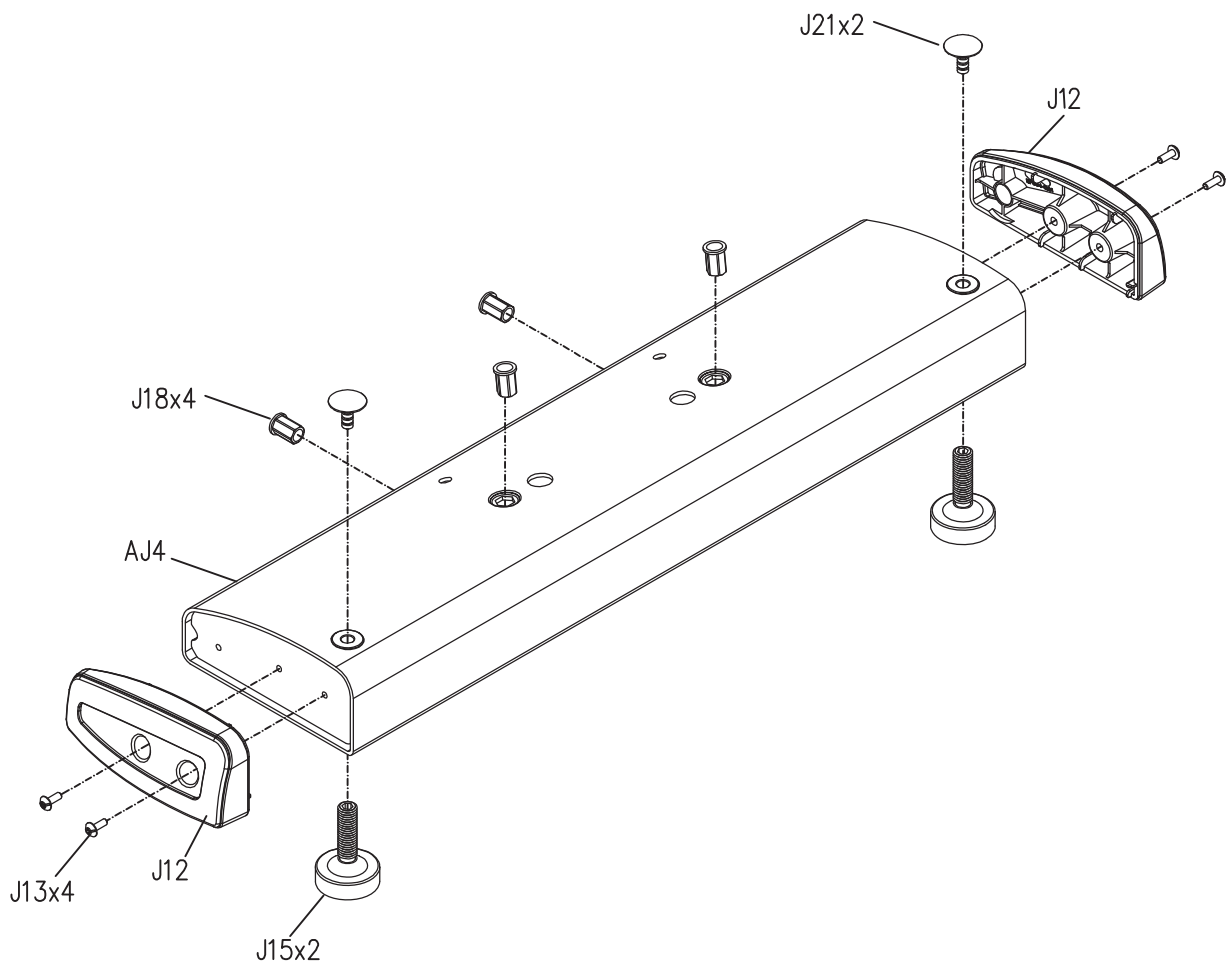
DRAWING NO	RB307-AH11		
PART NAME	Guide Rail Set		
PART NO	1000230429		B
APPROVE	EASON	DATE	20121218




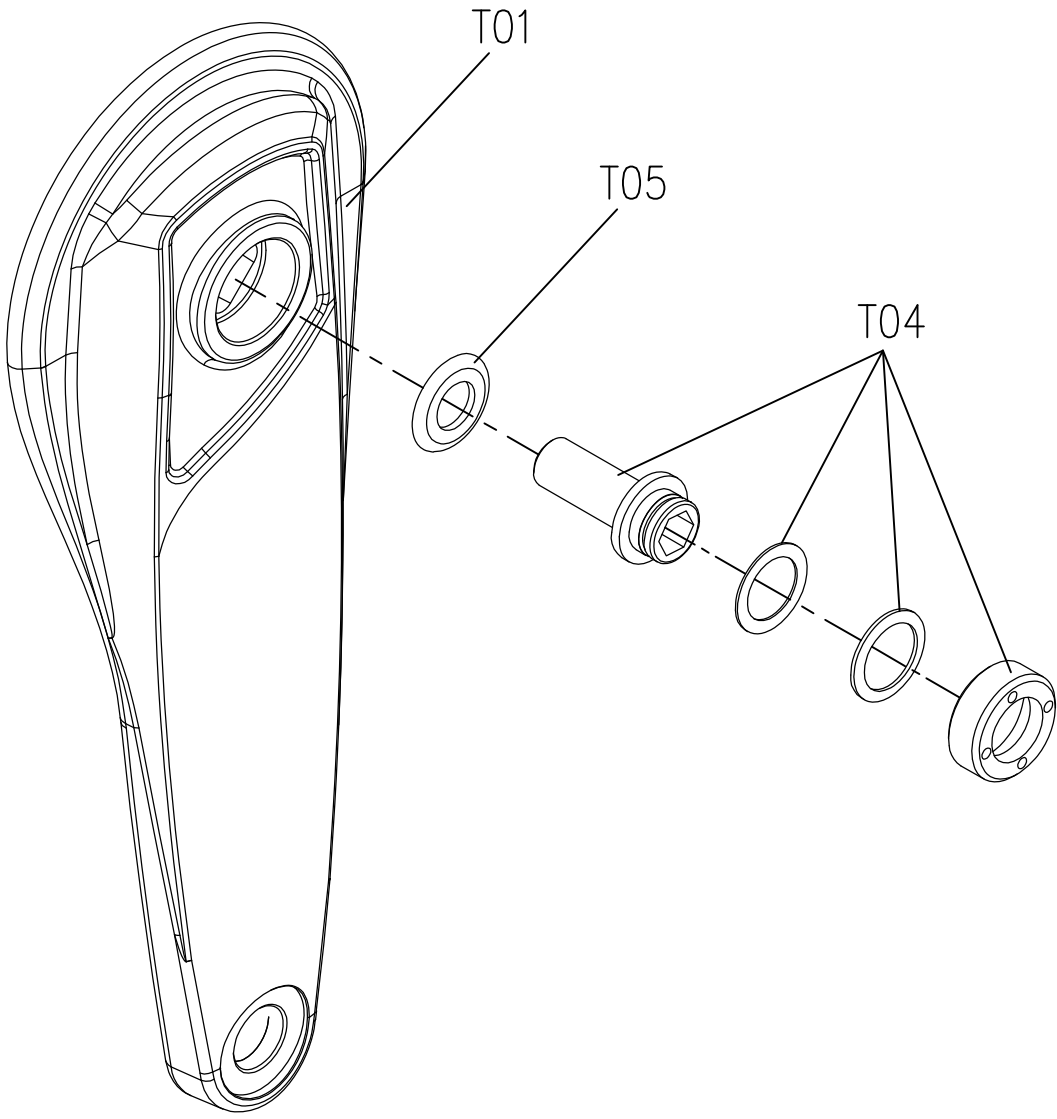
DRAWING NO	CB92-AJ5		
PART NAME	Stabilizer SET;F		
PART NO	1000230015		B
APPROVE	KEN	DATE	20121217




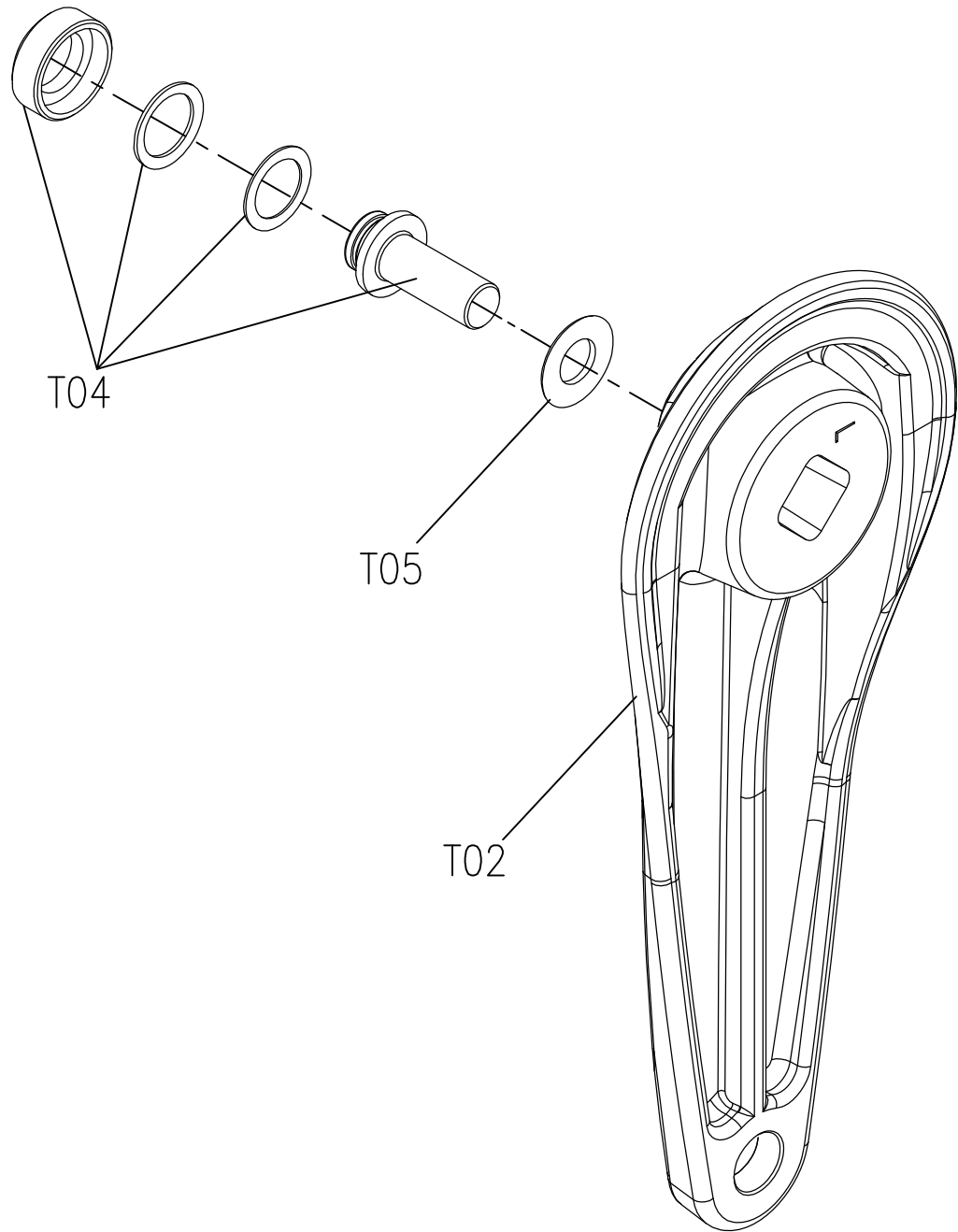
DRAWING NO	CB92-AJ6		
PART NAME	Stabilizer SET;R		
PART NO	1000230023	REV	B
APPROVE	KEN	DATE	20121217



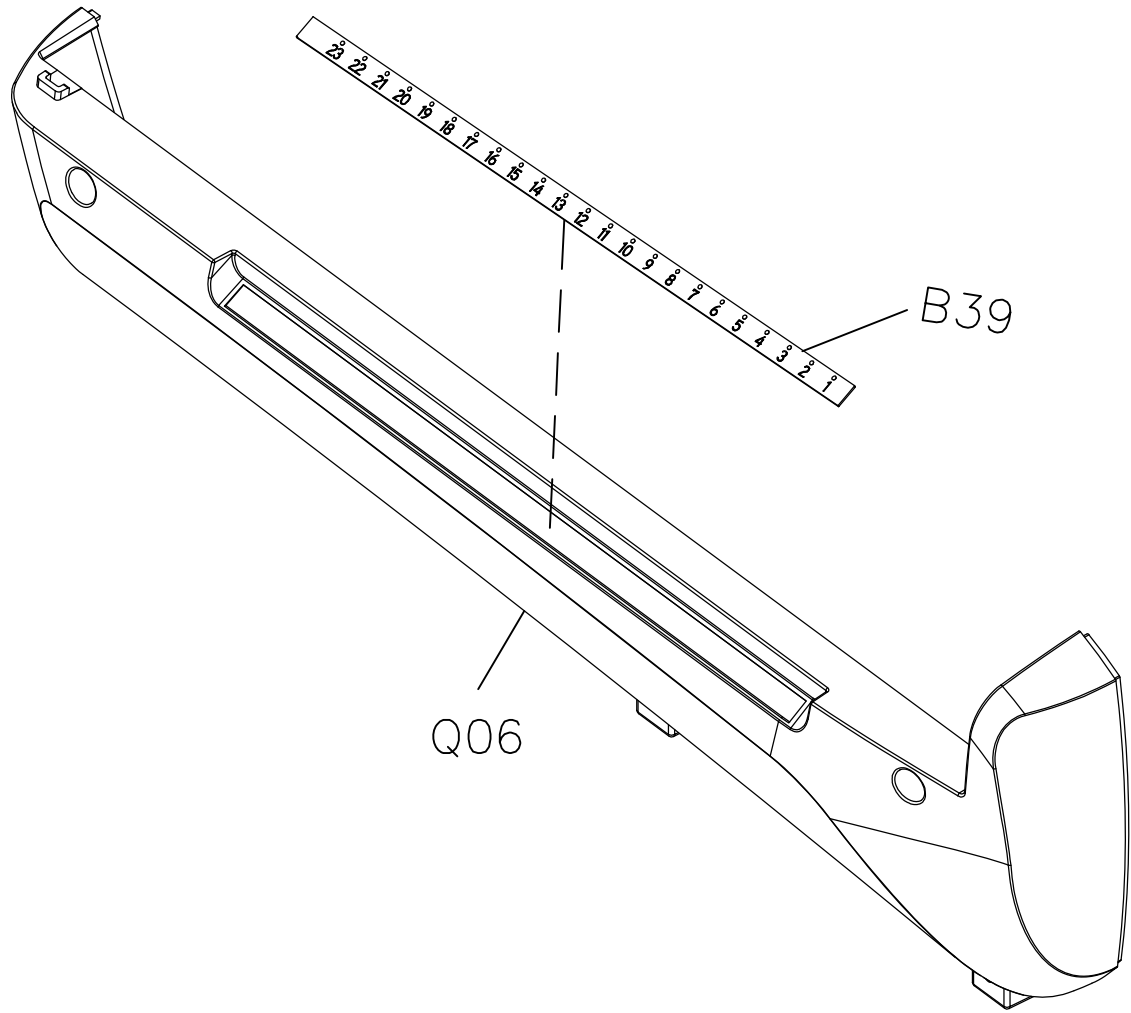
DRAWING NO	CB92-AT11		
PART NAME	Crank Set;R		
PART NO	1000230347		B
APPROVE	KEN	DATE	20121217



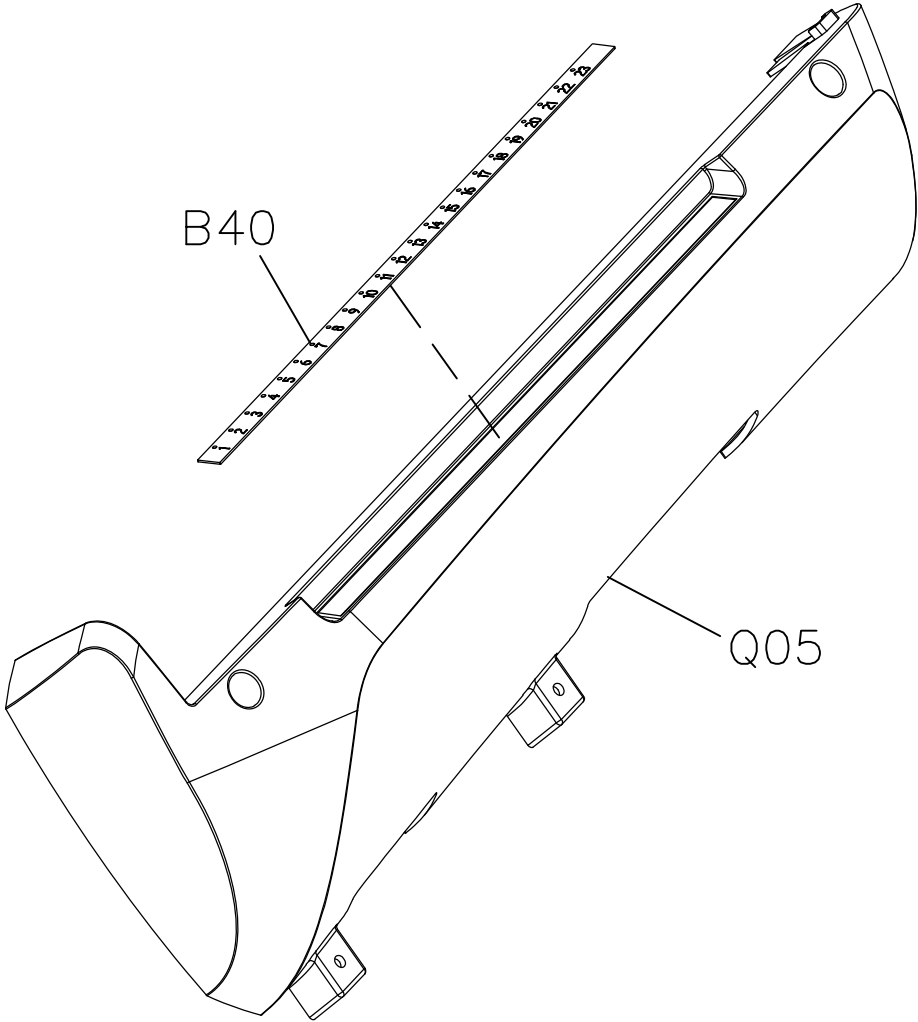
DRAWING NO	CB92-AT12		
PART NAME	Crank Set;L		
PART NO	1000230350		B
APPROVE	KEN	DATE	20121217




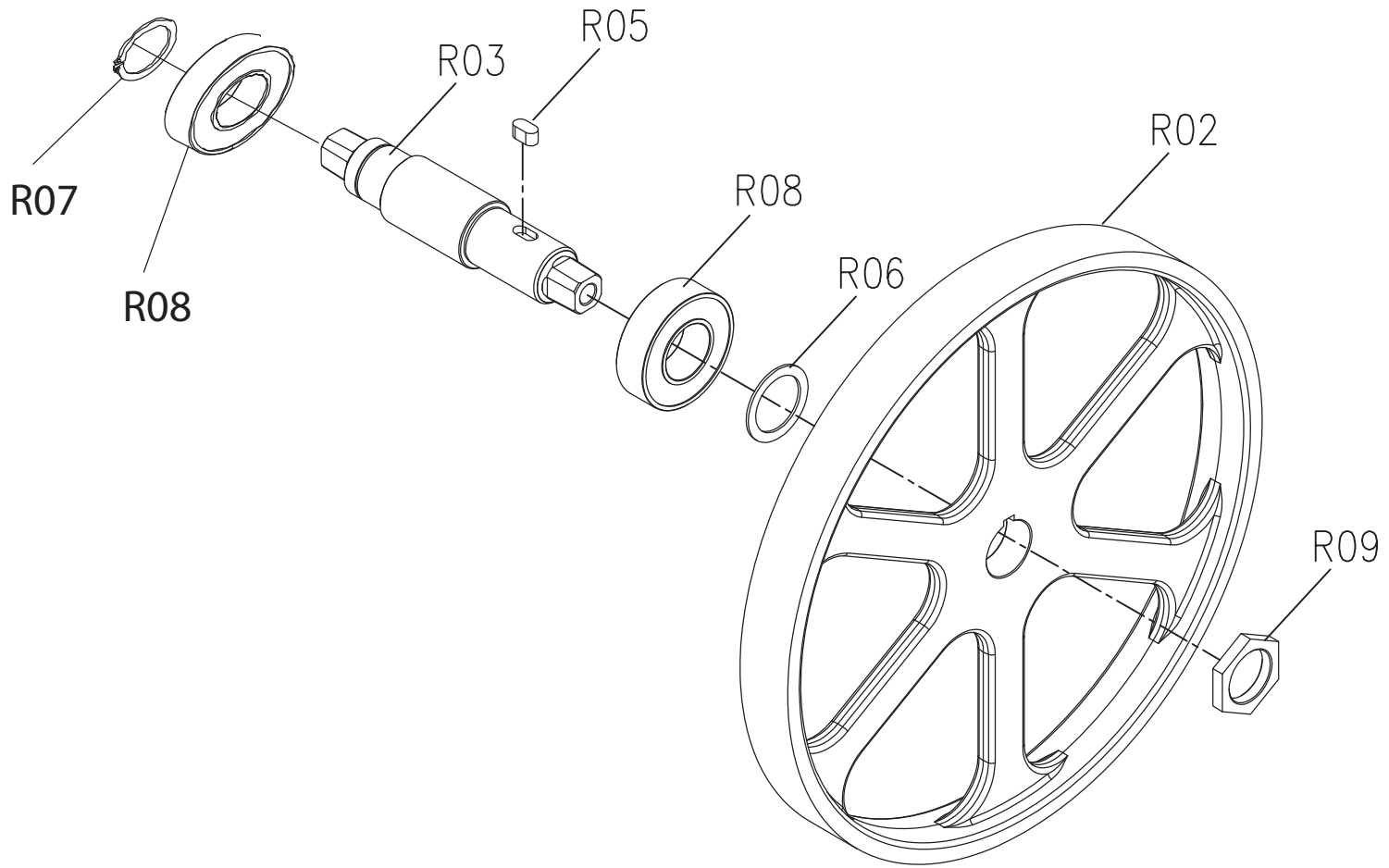
DRAWING NO	RB307-AQ4		
PART NAME	Right Guild Rail Cover Set		
PART NO	1000308337  B		
APPROVE	EASON	DATE	20130205




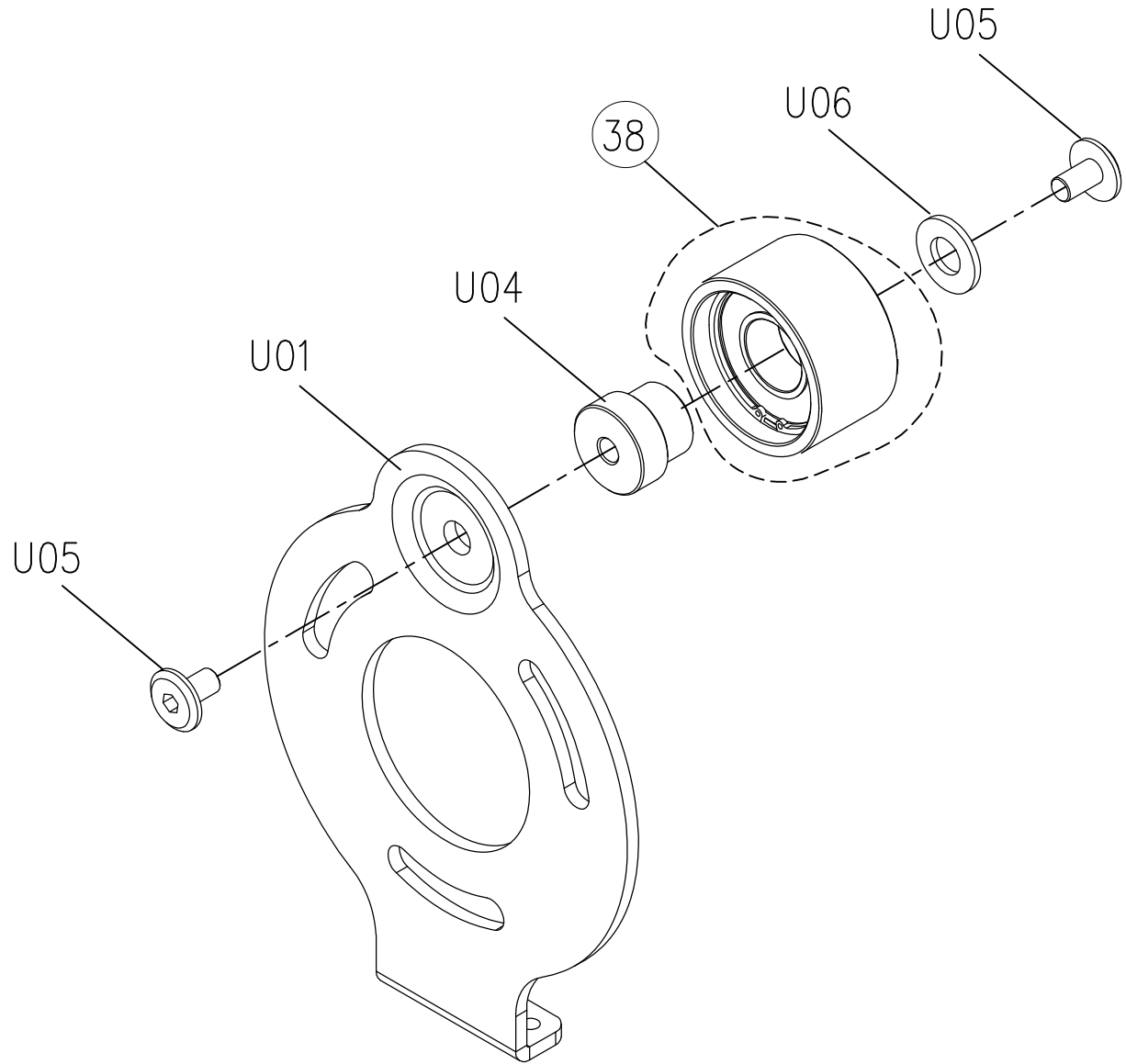
DRAWING NO	RB307-AQ3		
PART NAME	Left Guild Rail Cover Set		
PART NO	1000308338		B
APPROVE	EASON	DATE	20130205



DRAWING NO	CB93-AR11		
PART NAME	Transmission Set		
PART NO	1000230123  C		
APPROVE	KEN	DATE	20121217



DRAWING NO	CB92-AU3		
PART NAME	Idler Fix Plate Set		
PART NO	1000230354  B		
APPROVE	KEN	DATE	20121217



DRAWING NO	CB92-AU4		
PART NAME	Idler Set		
PART NO	1000307358	REV	B
APPROVE	KEN	DATE	20130116

