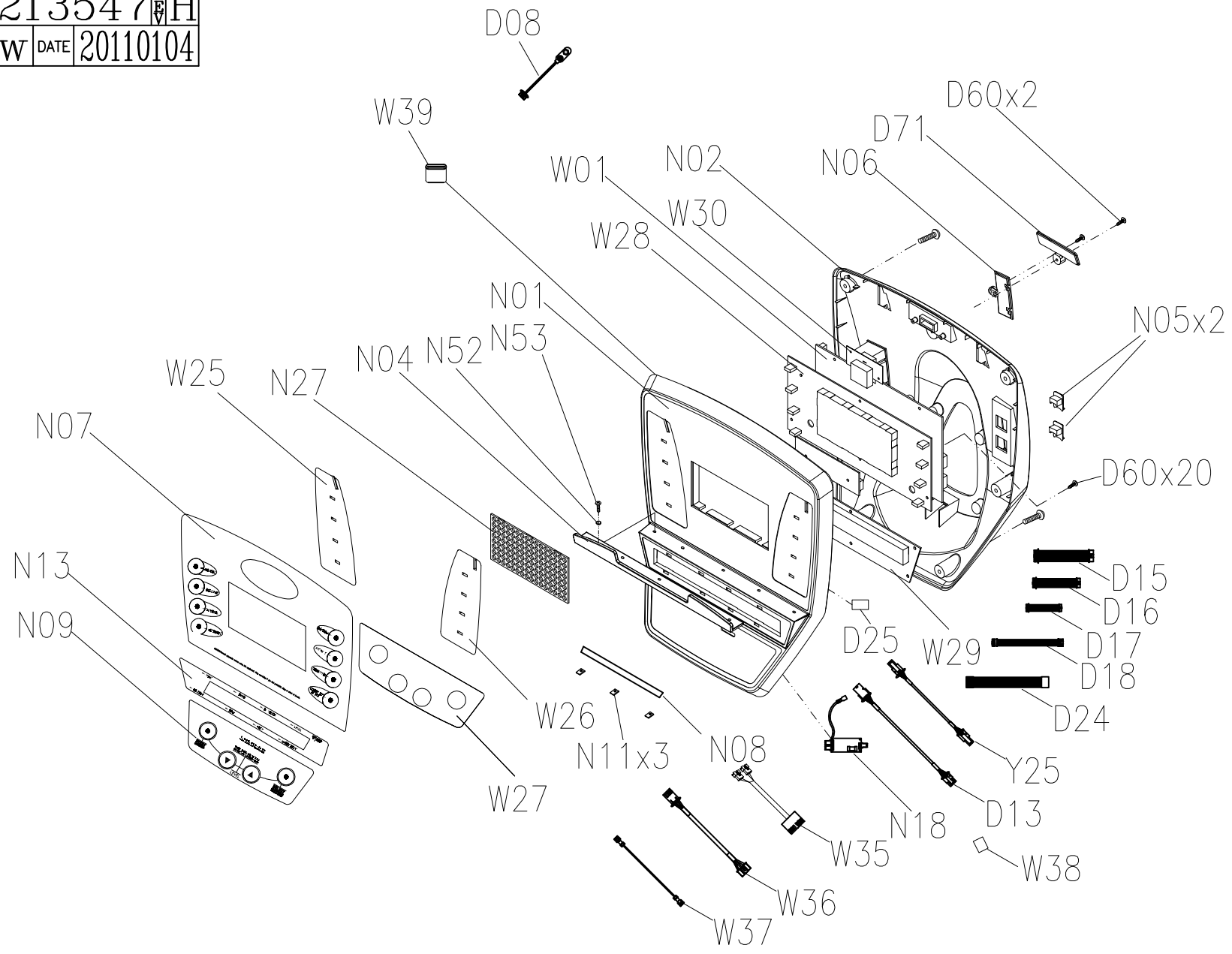
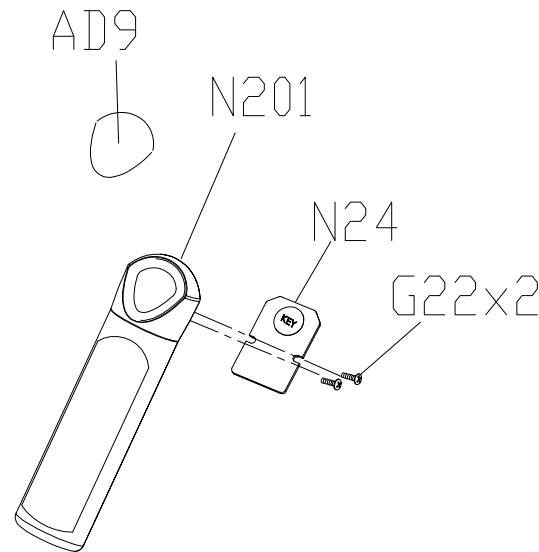


DRAWING NO	EP301-AN13		
PART NAME	CONSOLE SET		
PART NO	1000213547 RH		
APPROVE	tsaijw	DATE	20110104



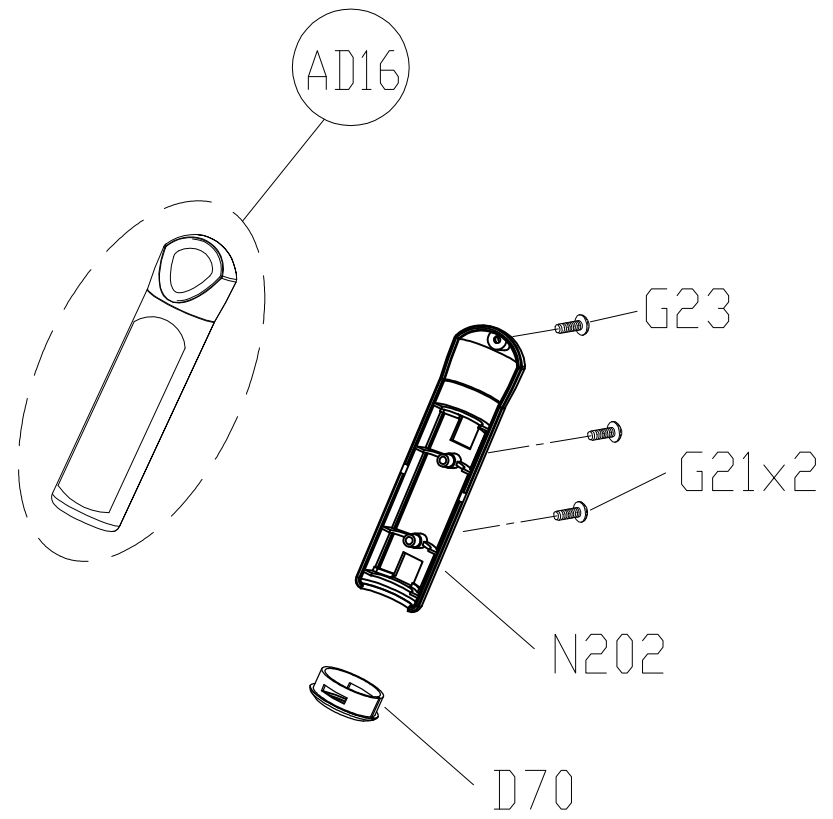
DRAWING NO	CB72-AC16		
PART NAME	Sensor Set;Right		
PART NO	As Attachment C		
APPROVE	SHUYI	DATE	12.23.10

Part NO	Description
0000091705	Sensor Set;Right;ENG;H5x-F
0000091655	Sensor Set;Right;JAP;H5x-F
0000092540	Sensor Set;Right;ENG;H3x-01
0000092985	Sensor Set;Right;JAP;H3x
0000088307	Sensor Set;Right;ENG;U5x-F
1000213166	Sensor Set;Right;JAP;U5x-F
0000092515	Sensor Set;Right;ENG;U3x-01
0000092973	Sensor Set;Right;JAP;U3x
0000092571	Sensor Set;Right;ENG;R3x-01
0000092997	Sensor Set;Right;JAP;R3x

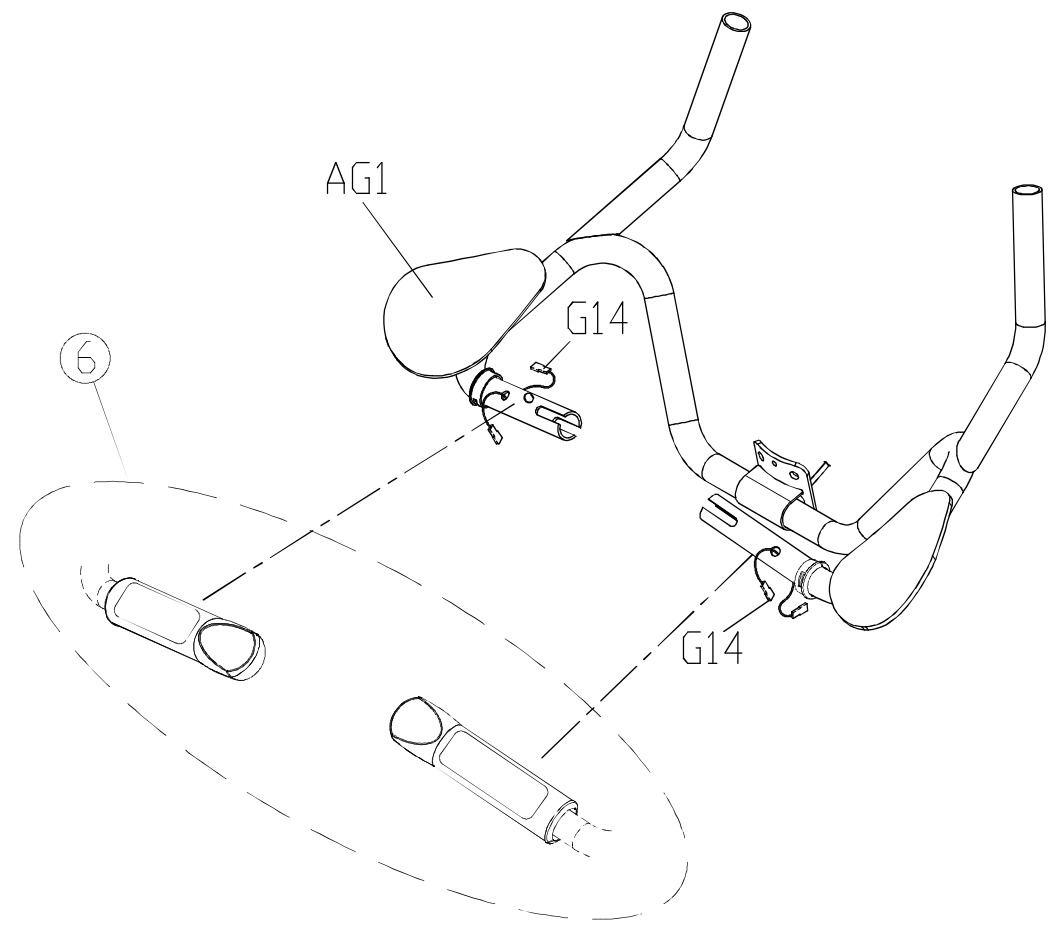


DRAWING NO	RB91-AD15		
PART NAME	Grip Set;Sensor;Right		
PART NO	As Attachment		
APPROVE	SHUYI	DATE	12.23.10

Part NO	Description
0000088182	Grip Set;Sensor;Right;ENG;U5x-F
1000213165	Grip Set;Sensor;Right;JAP;U5x-F
0000092514	Grip Set;Sensor;Right;ENG;U3x-01
0000092972	Grip Set;Sensor;Right;JAP;U3x
0000092570	Grip Set;Sensor;Right;ENG;R3x-01
0000092996	Grip Set;Sensor;Right;JAP;R3x

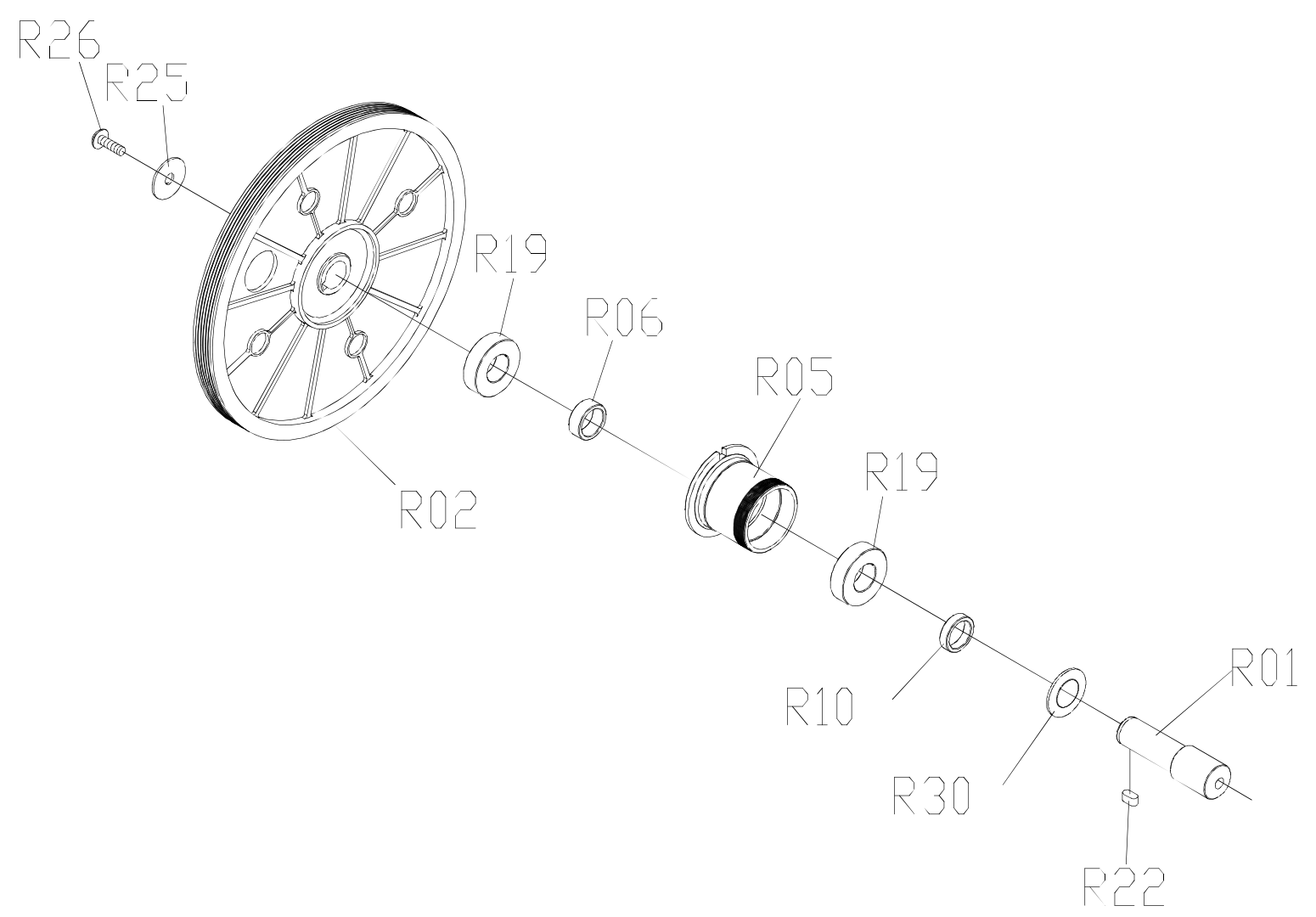


DRAWING NO	CB86-AG6		
PART NAME	Handlebar Set		
PART NO	As Attachment ^R / _V E		
APPROVE	sammi	DATE	2015.04.30

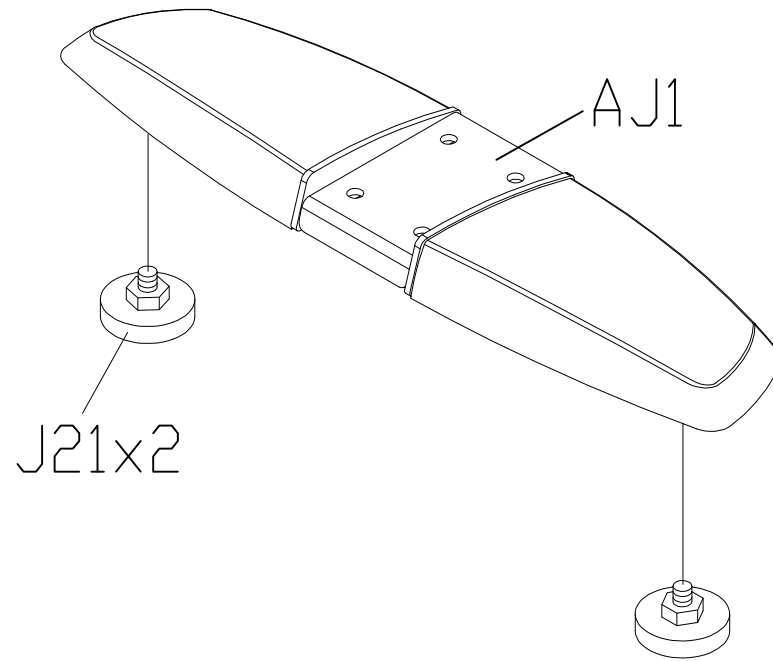


SAP PART NO	LANGUAGE
0000092513	English
0000093474	France
0000093475	German
0000093476	Holland
0000093477	Spain
0000093478	Italy
0000092971	Japan

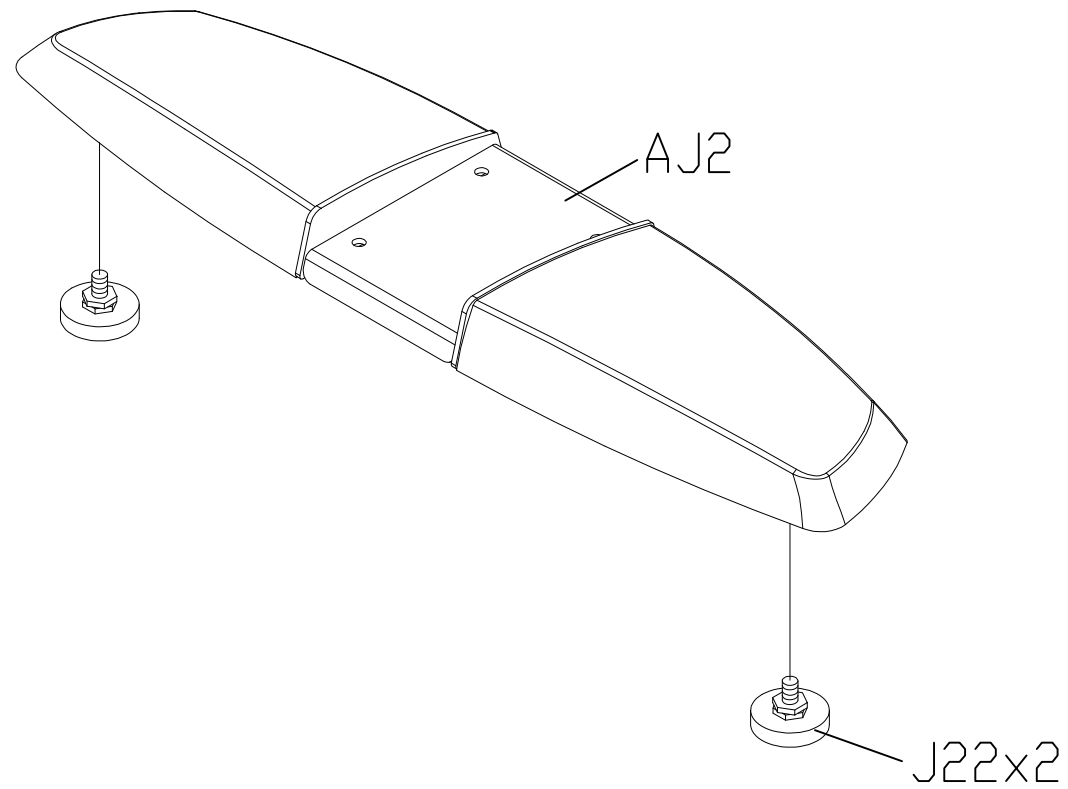
DRAWING NO	CB75-AR2		
PART NAME	Transmission Set		
PART NO	0000090873		
APPROVE	sammi	DATE	20140813



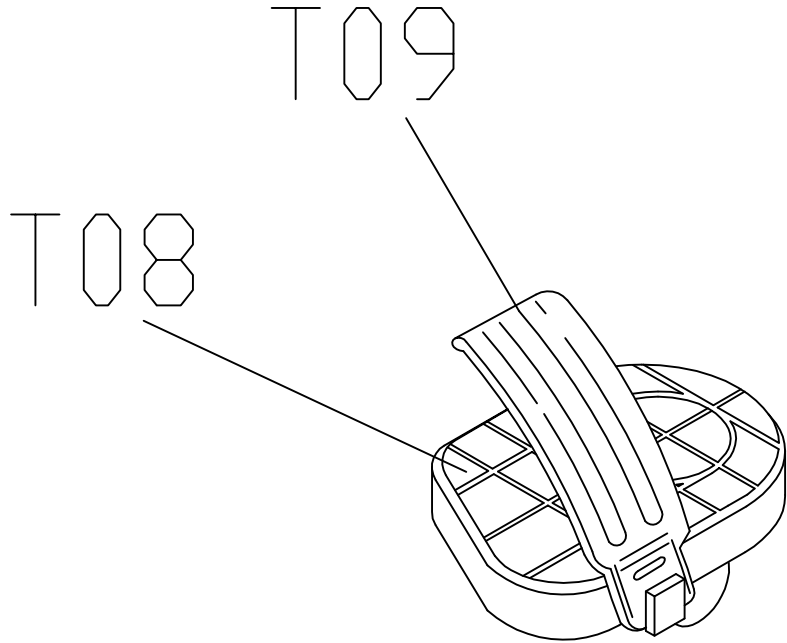
DRAWING NO	CB72-AJ11		
PART NAME	Stabilize SET;Front		
PART NO	0000090810 B		
APPROVE	SHUYI	DATE	2010.12.03



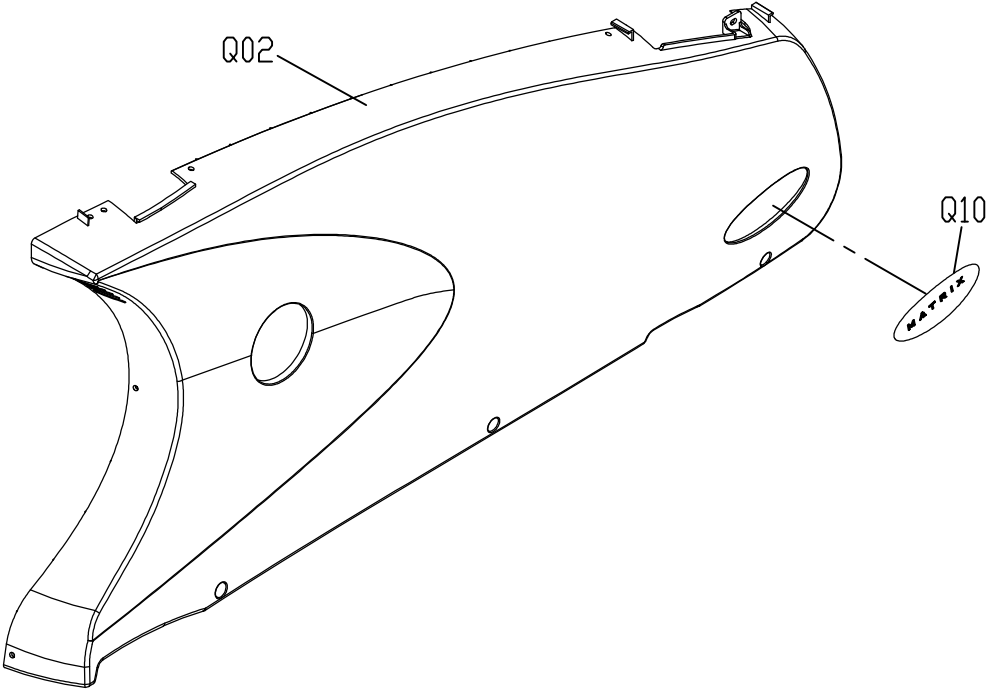
DRAWING NO	CB72-AJ12		
PART NAME	Stabilize SET;Rear		
PART NO	0000090809 B		
APPROVE	SHUYI	DATE	2010.12.03




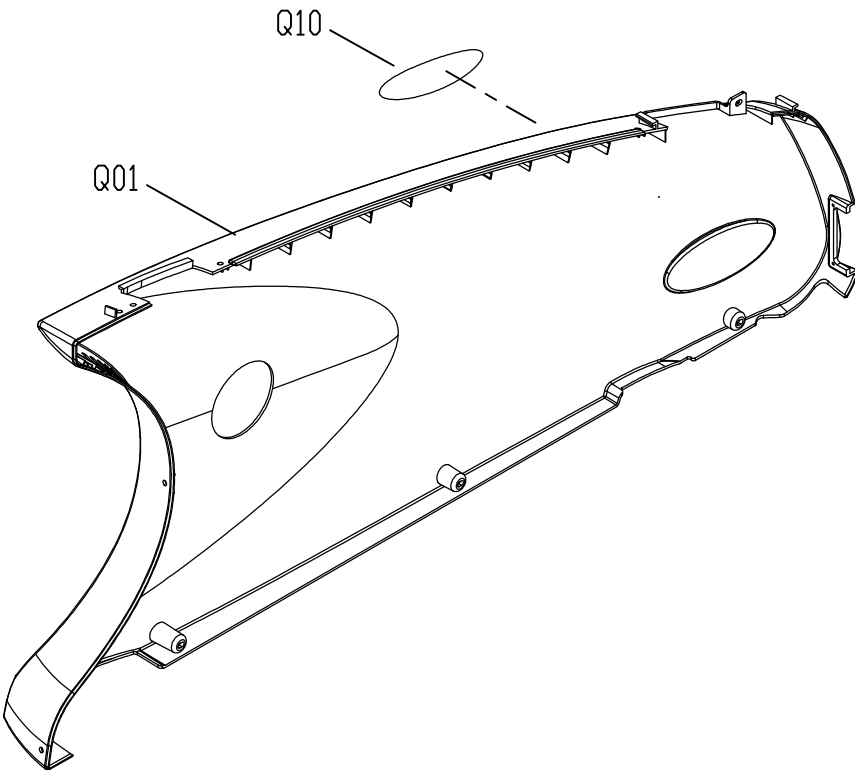
DRAWING NO	CB32B-T07		
PART NAME	PEDAL SET		
PART NO	014724-A		
APPROVE	JohnW	DATE	20160619



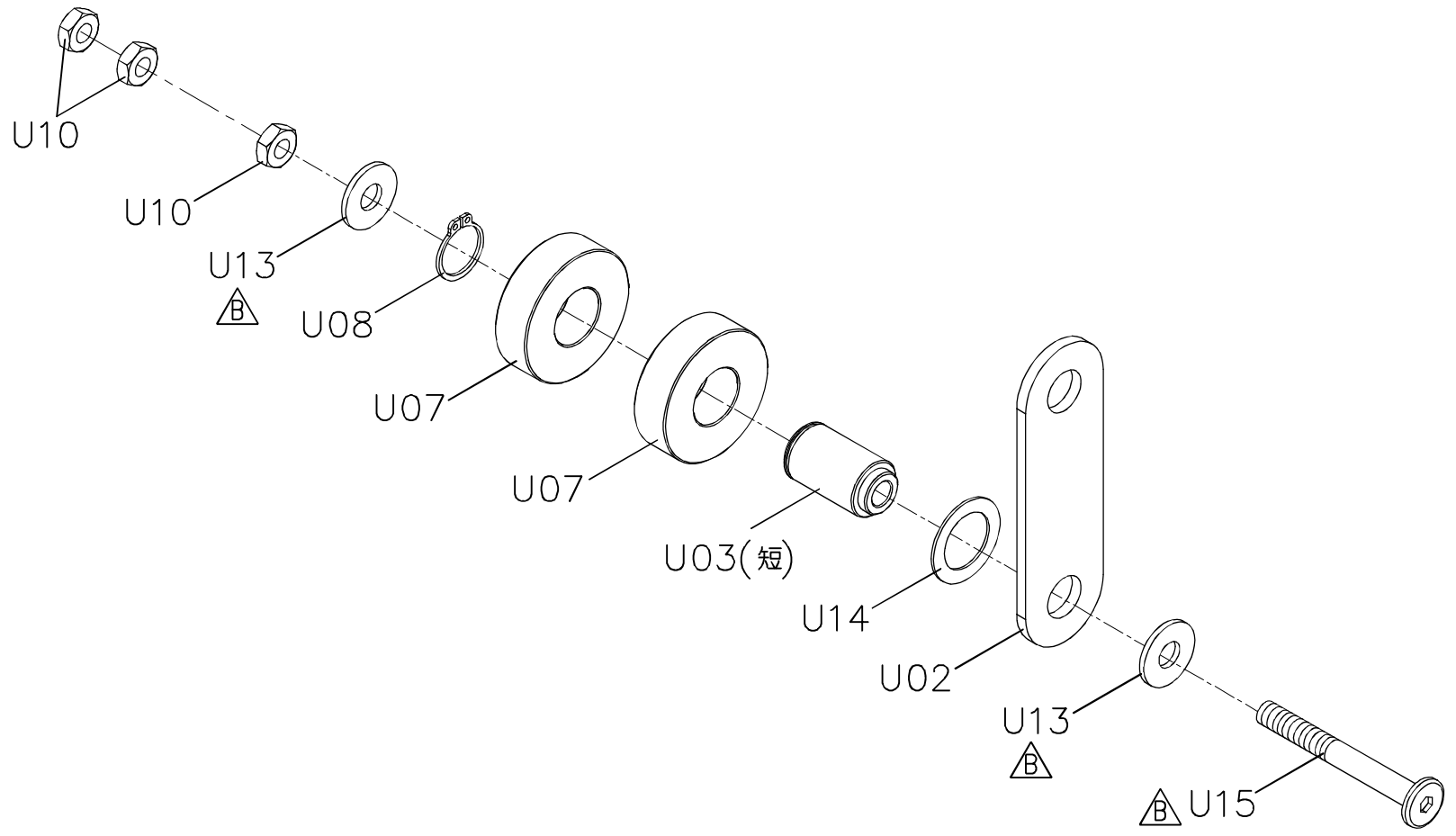
DRAWING NO	CB75B-AQ22		
PART NAME	Cover set;Right		
PART NO	1000216411 <small>REV</small> A		
APPROVE	KEN	DATE	050311



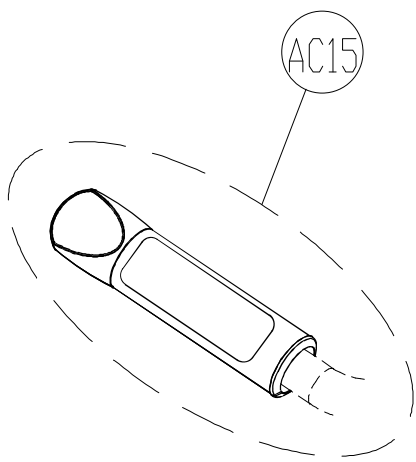
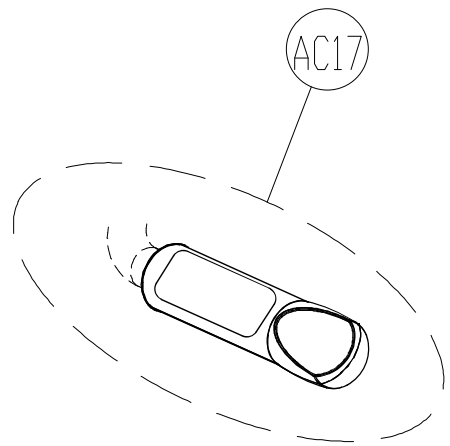
DRAWING NO	CB75B-AQ21		
PART NAME	Cover set;Left		
PART NO	1000216408  A		
APPROVE	KEN	DATE	050311




DRAWING NO	CB75-AU3		
PART NAME	Idle Set		
PART NO	0000095397	REV	C
APPROVE	sammi	DATE	20140813

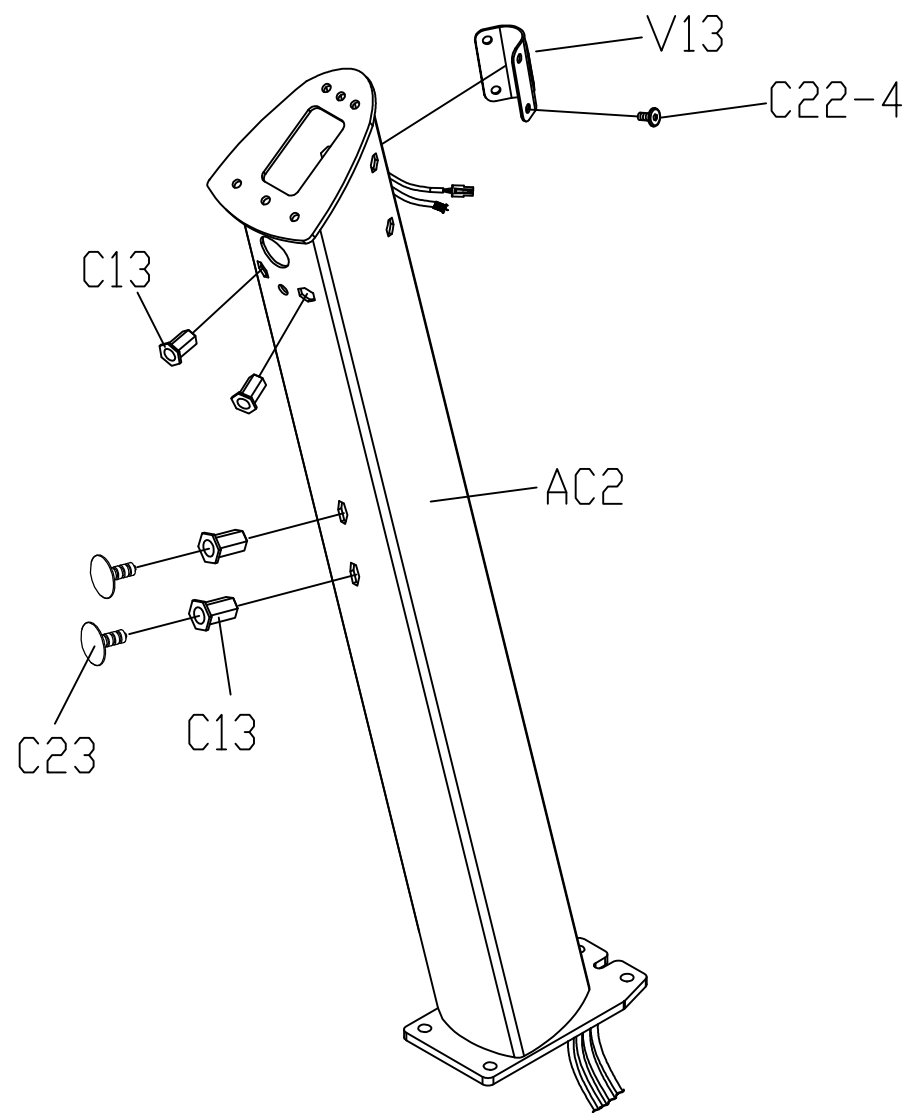


DRAWING NO	CB86-AG7		
PART NAME	Grip Set;Sensor		
PART NO	As Attachment <input checked="" type="checkbox"/> C		
APPROVE	sammi	DATE	2015.04.30

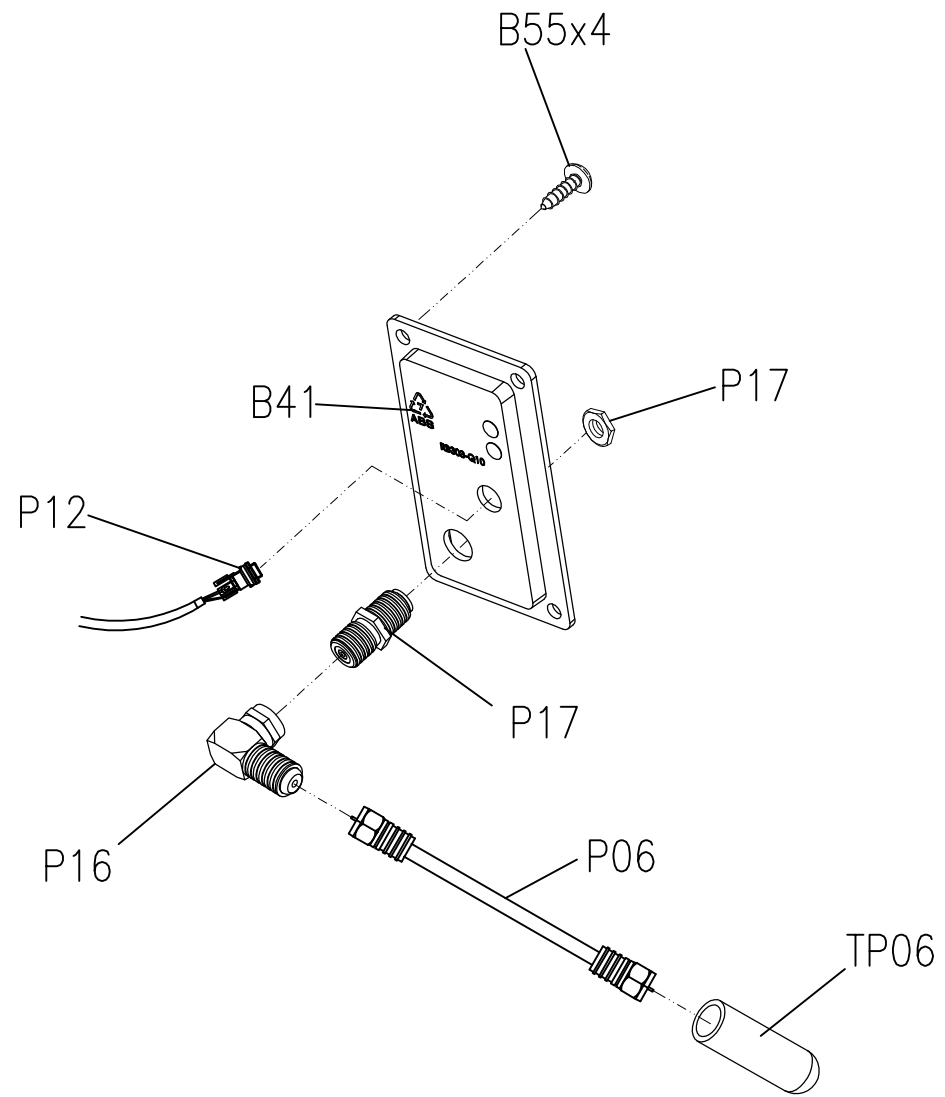


SAP PART NO	LANGUAGE
0000093186	English
1000365307	France
1000365358	German
1000365363	Holland
1000365368	Spain
1000365373	Italy
0000093473	Japan

DRAWING NO	CB86-AC11	
PART NAME	Console Mast Set	
PART NO	0000093185  C	
APPROVE	S.T.C	DATE 2012.01.13

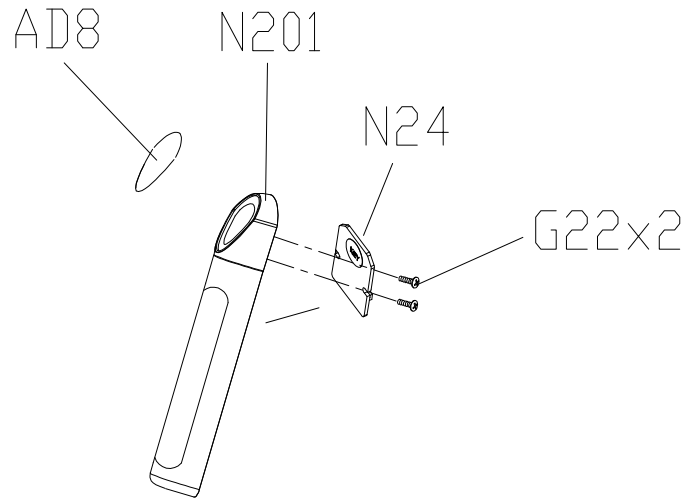



DRAWING NO	CB86-AP1		
PART NAME	E-PORT Fix Plate Set		
PART NO	0000092792		
APPROVE	KEN	DATE	062811



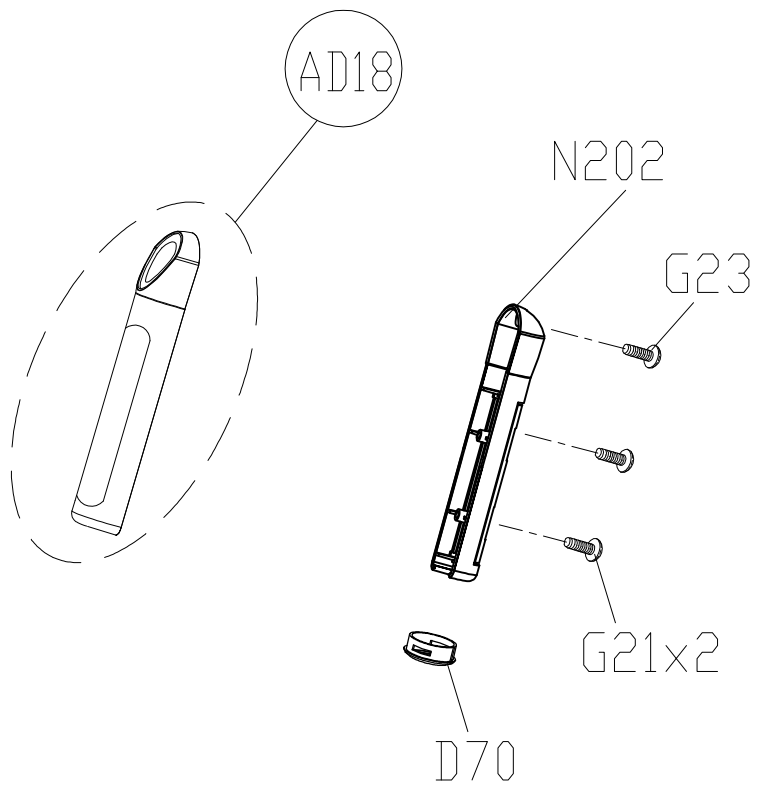
DRAWING NO	CB72-AC18		
PART NAME	Sensor Set;Left		
PART NO	As Attachment		
APPROVE	SHUYI	DATE	2010.12.23

Part NO	Description
0000091707	Grip Set;Sensor;Left;ENG;H5x-F
0000091659	Grip Set;Sensor;Left;JAP;H5x-F
0000092543	Grip Set;Sensor;Left;ENG;H3x-01
0000092987	Grip Set;Sensor;Left;JAP;H3x
0000089919	Grip Set;Sensor;Left;ENG;U5x-F
1000213168	Grip Set;Sensor;Left;JAP;U5x-F
0000092517	Grip Set;Sensor;Left;ENG;U3x-01
0000092975	Grip Set;Sensor;Left;JAP;U3x
0000092573	Grip Set;Sensor;Left;ENG;R3x-01
0000092999	Grip Set;Sensor;Left;JAP;R3x



DRAWING NO	RB91-AD17		
PART NAME	Grip Set;Sensor;Left		
PART NO	As Attachment  C		
APPROVE	SHUYI	DATE	12.23.10

Part NO	Description
0000089918	Grip Set;Sensor;Left;ENG;U5x-F
1000213167	Grip Set;Sensor;Left;JAP;U5x-F
0000092516	Grip Set;Sensor;Left;ENG;U3x-01
0000092974	Grip Set;Sensor;Left;JAP;U3x
0000092572	Grip Set;Sensor;Left;ENG;R3x-01
0000092998	Grip Set;Sensor;Left;JAP;R3x



DRAWING NO	CB72-AT100		
PART NAME	Pedal Axle Set;+Crank		
PART NO	1000387880 <small>REV</small> C		
APPROVE	Lewis	DATE	053016

