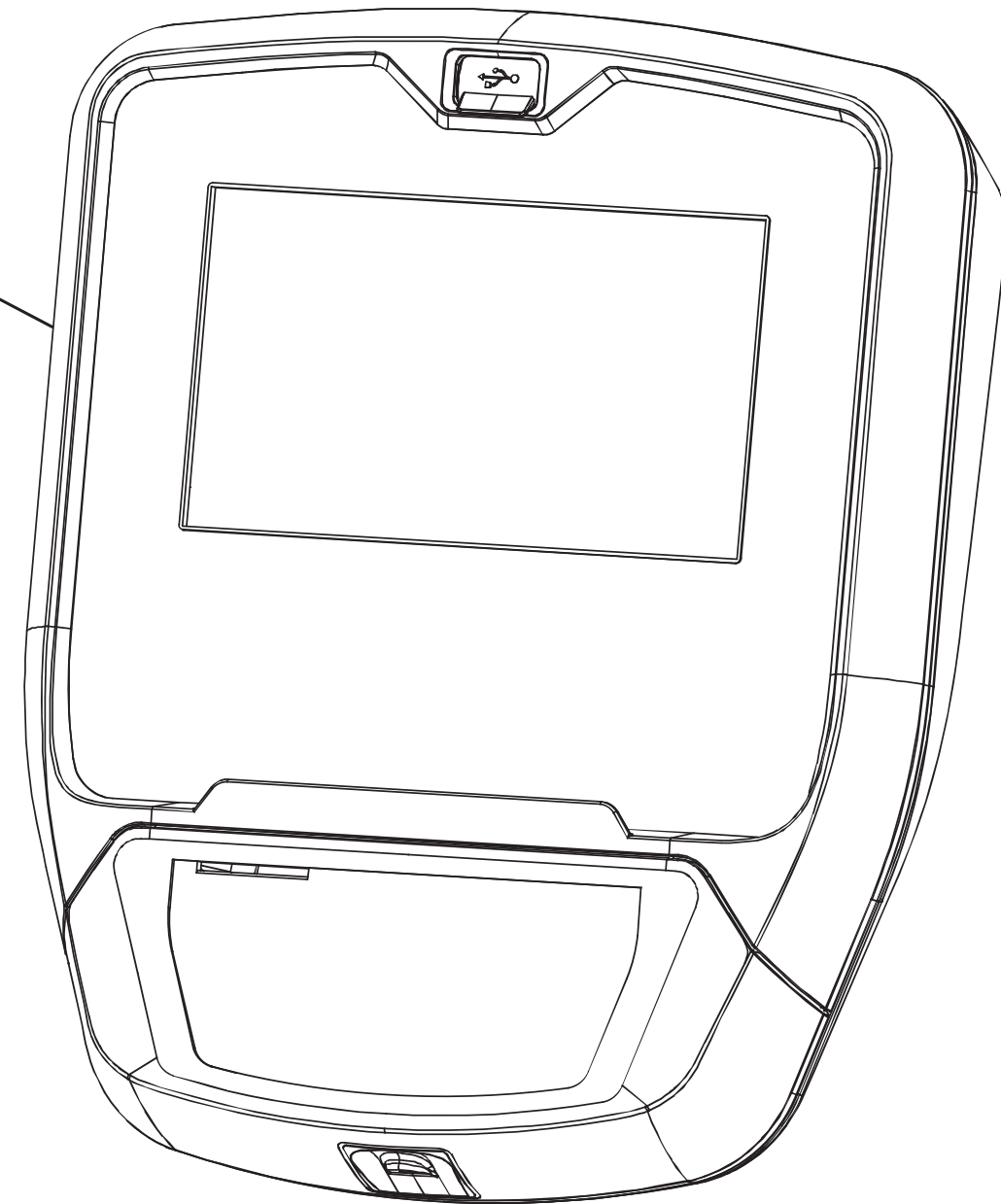


DRAWING NO	EP625-A04		
PART NAME	ASSEMBLY VIEW		
PART NO	1000375402	REV	A
APPROVE	Jimmy	DATE	2015.11.20

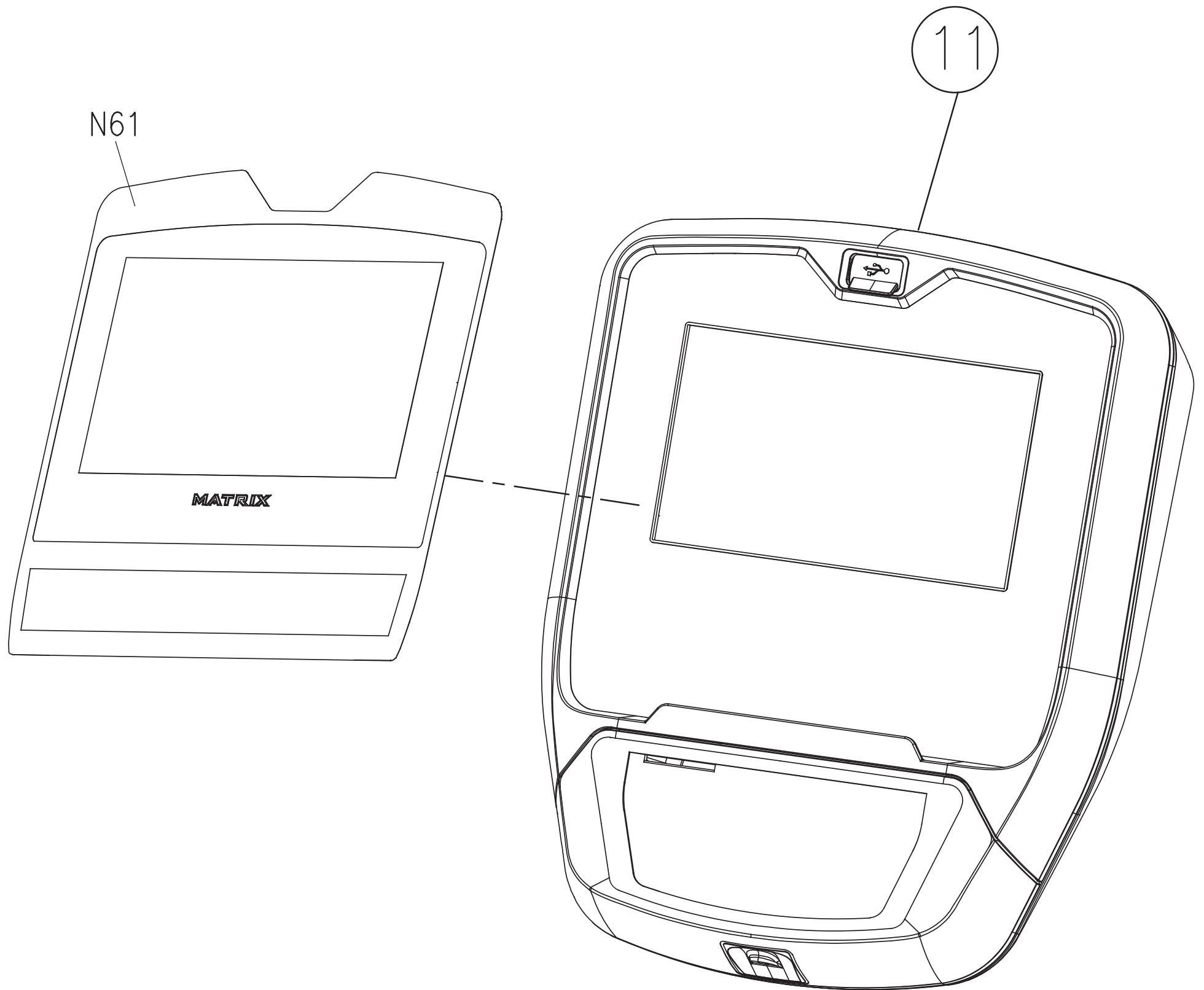
SAP PART NO
MEP0585-00
MEP0586-00
MEP0587-00
MEP0588-00

21

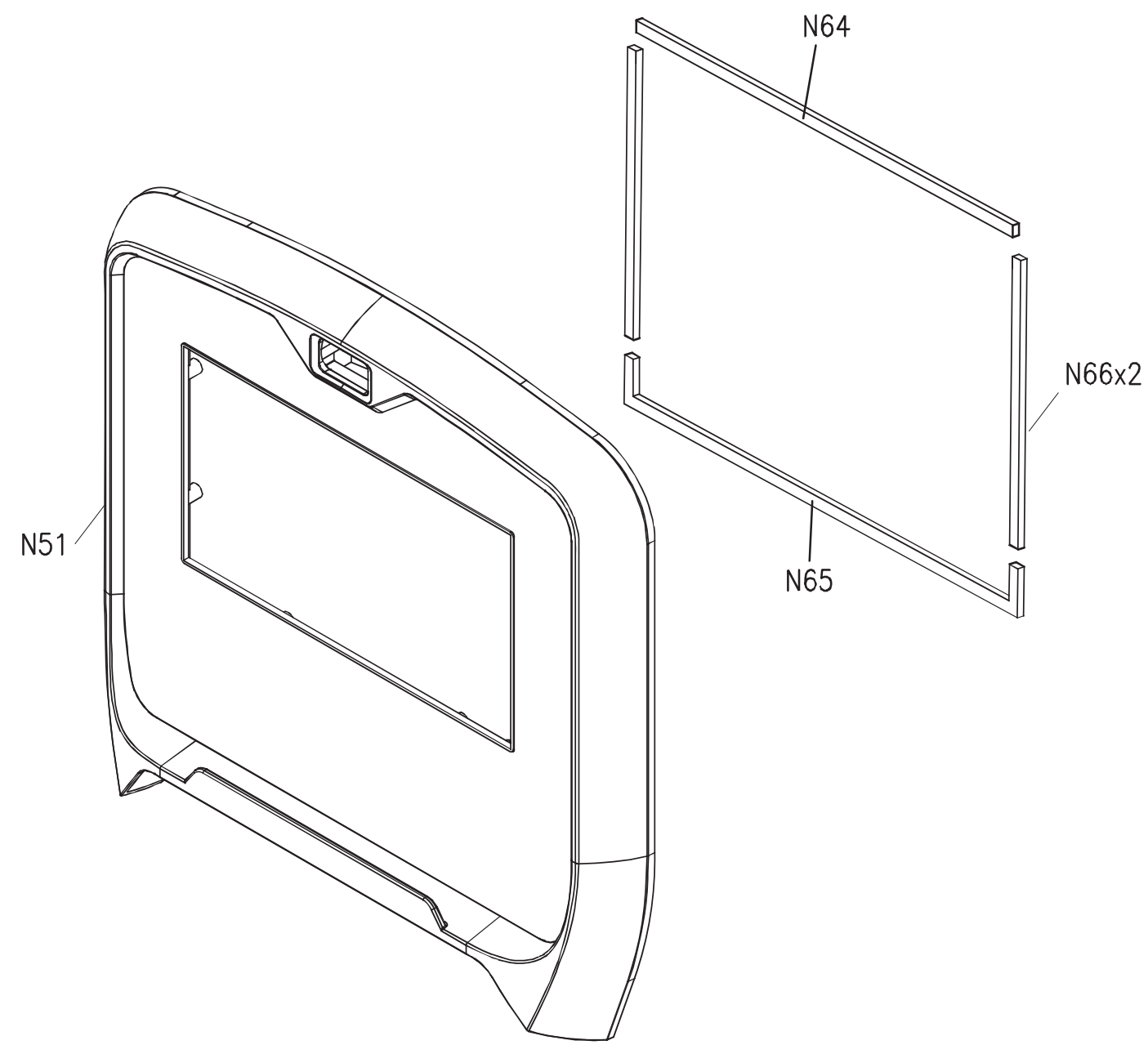


DRAWING NO	EP625-AN36		
PART NAME	Console set		
PART NO	1000394067 ^R / _E / _V B		
APPROVE	Jimmy	DATE	20160729

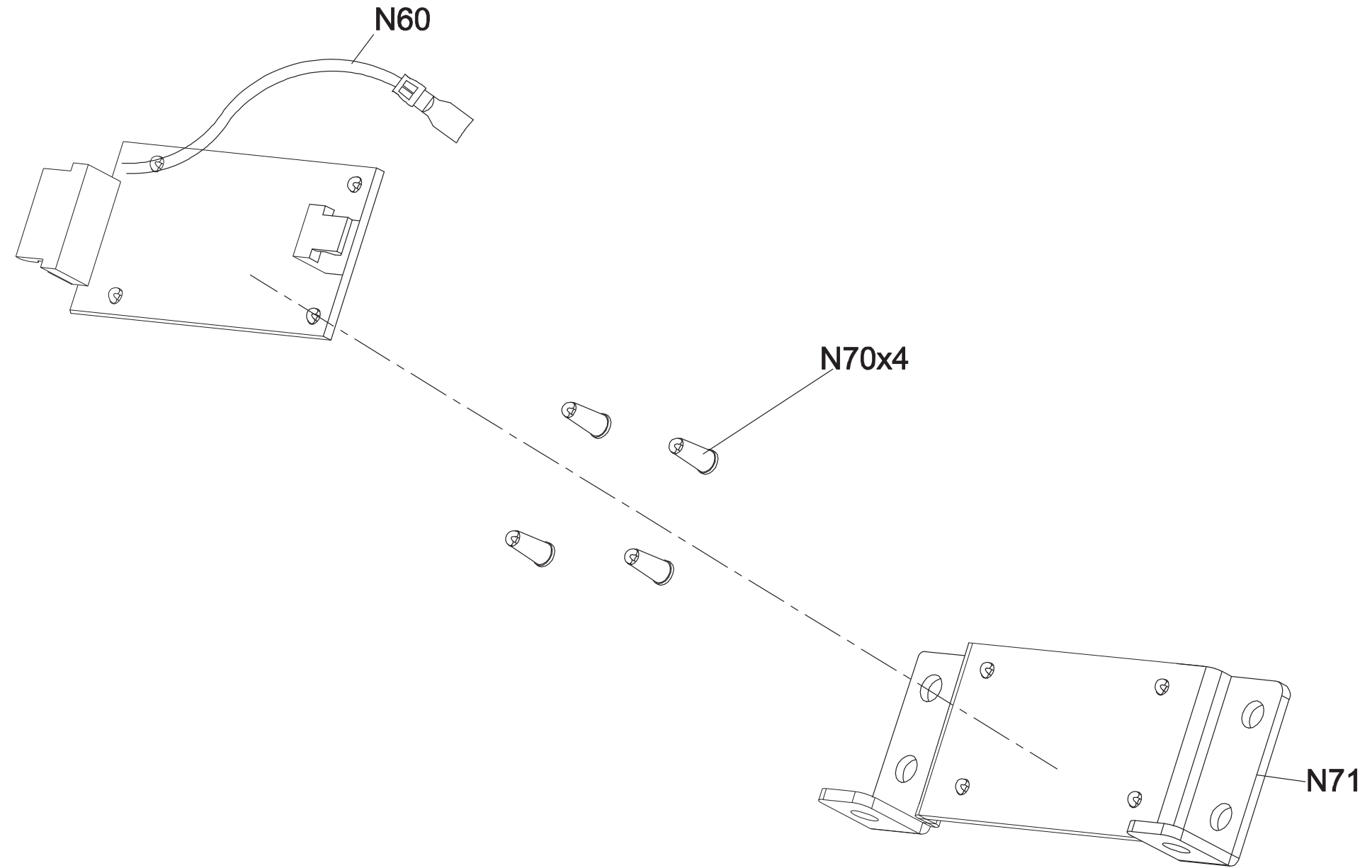
SAP PART NO	LANGUAGE
1000388730	Spanish
1000388731	English+French



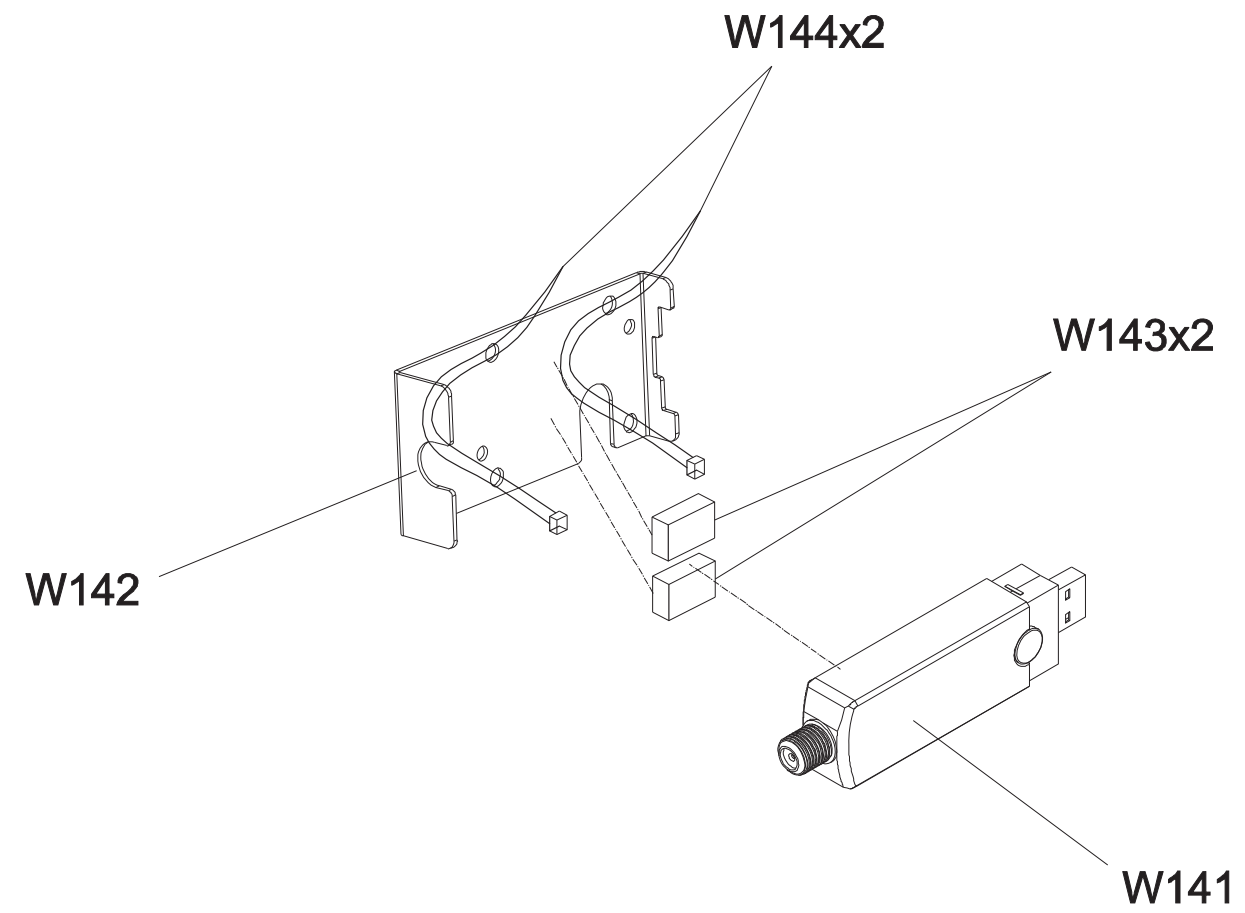
DRAWING NO	EP625-AW61		
PART NAME	Shield Set;Overlay		
PART NO	1000375451 ^{REV} A		
APPROVE	Jimmy	DATE	112015



DRAWING NO	EP93C-AN51		
PART NAME	Heart Board Set		
PART NO	1000208535	REV	A
APPROVE	Dragon Long	DATE	2016.6.20

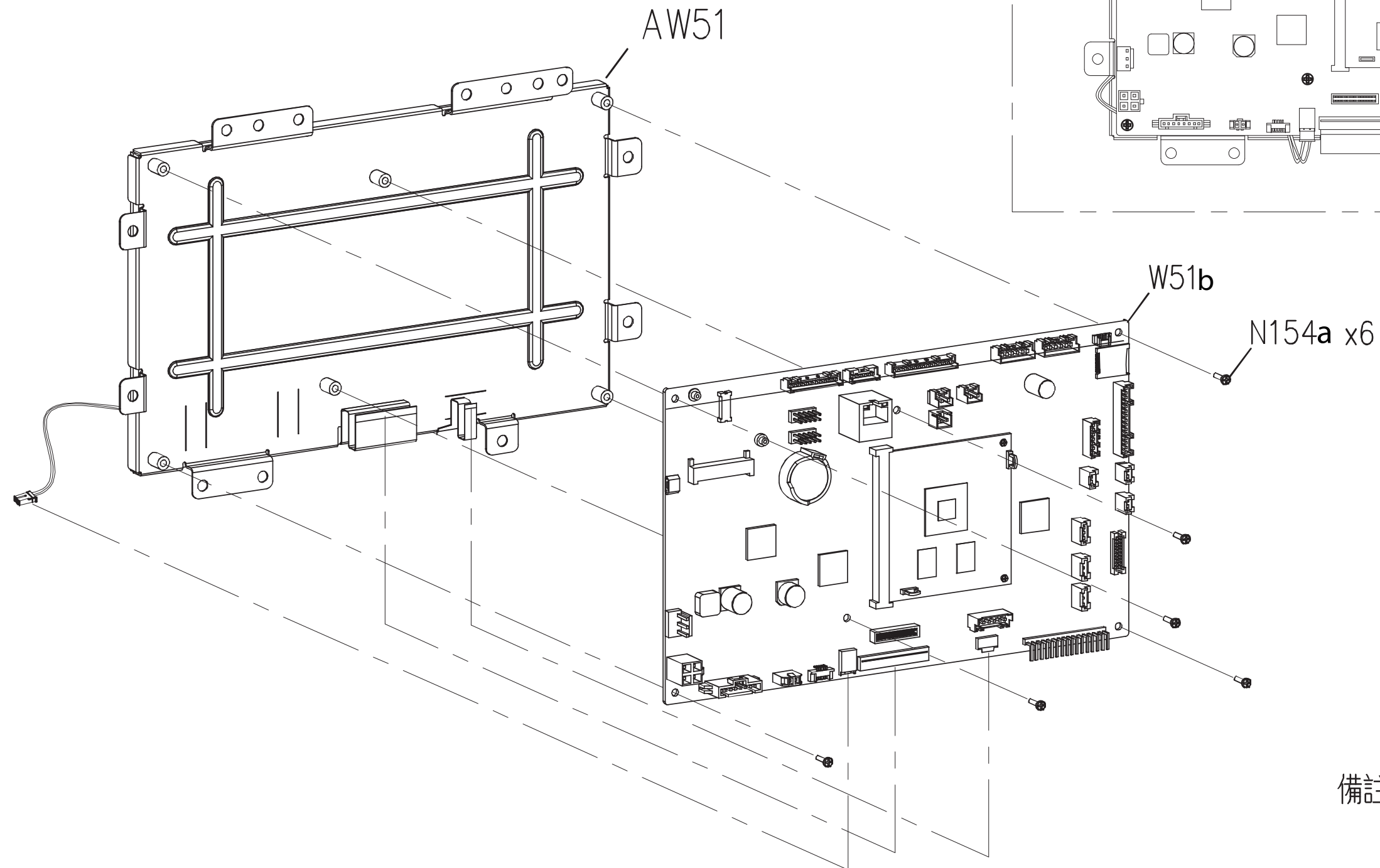
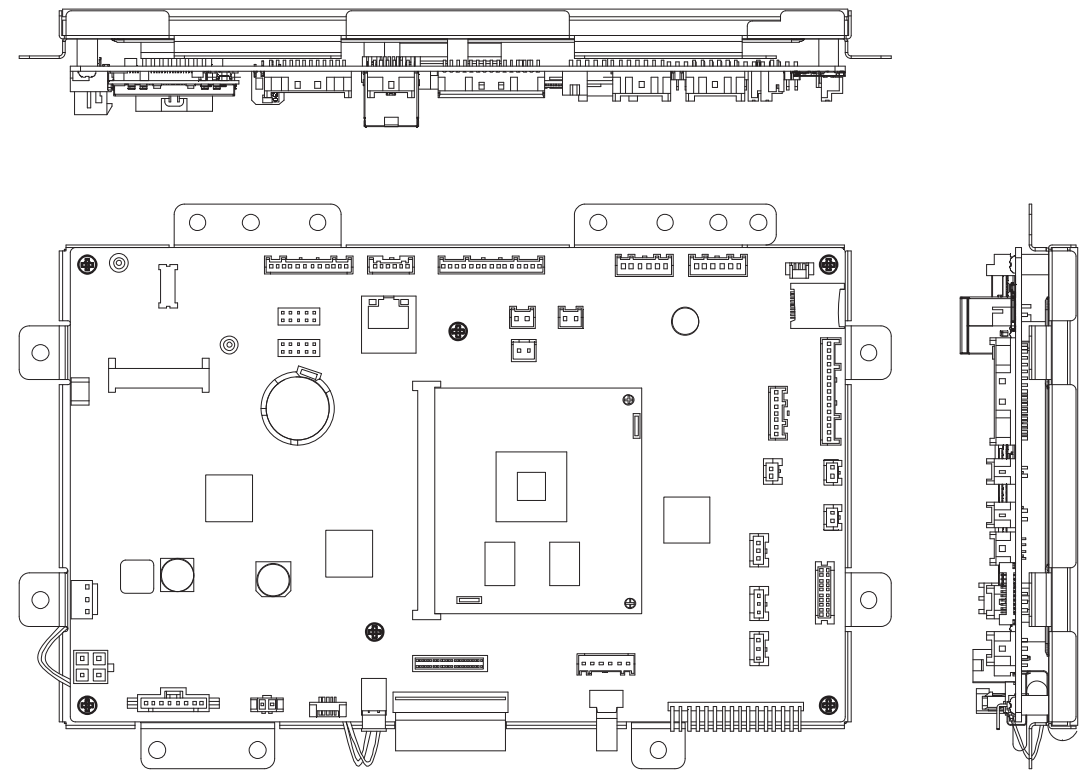


DRAWING NO	EP614C-AW51		
PART NAME	TV STICK SET		
PART NO	1000356574	REV	C
APPROVE	Dragon Long	DATE	2016.6.20



DRAWING NO	EP625-AW51		
PART NAME	Control Board Set		
PART NO	1000378952 <small>REV B</small>		
APPROVE	Gingo	DATE	20151204

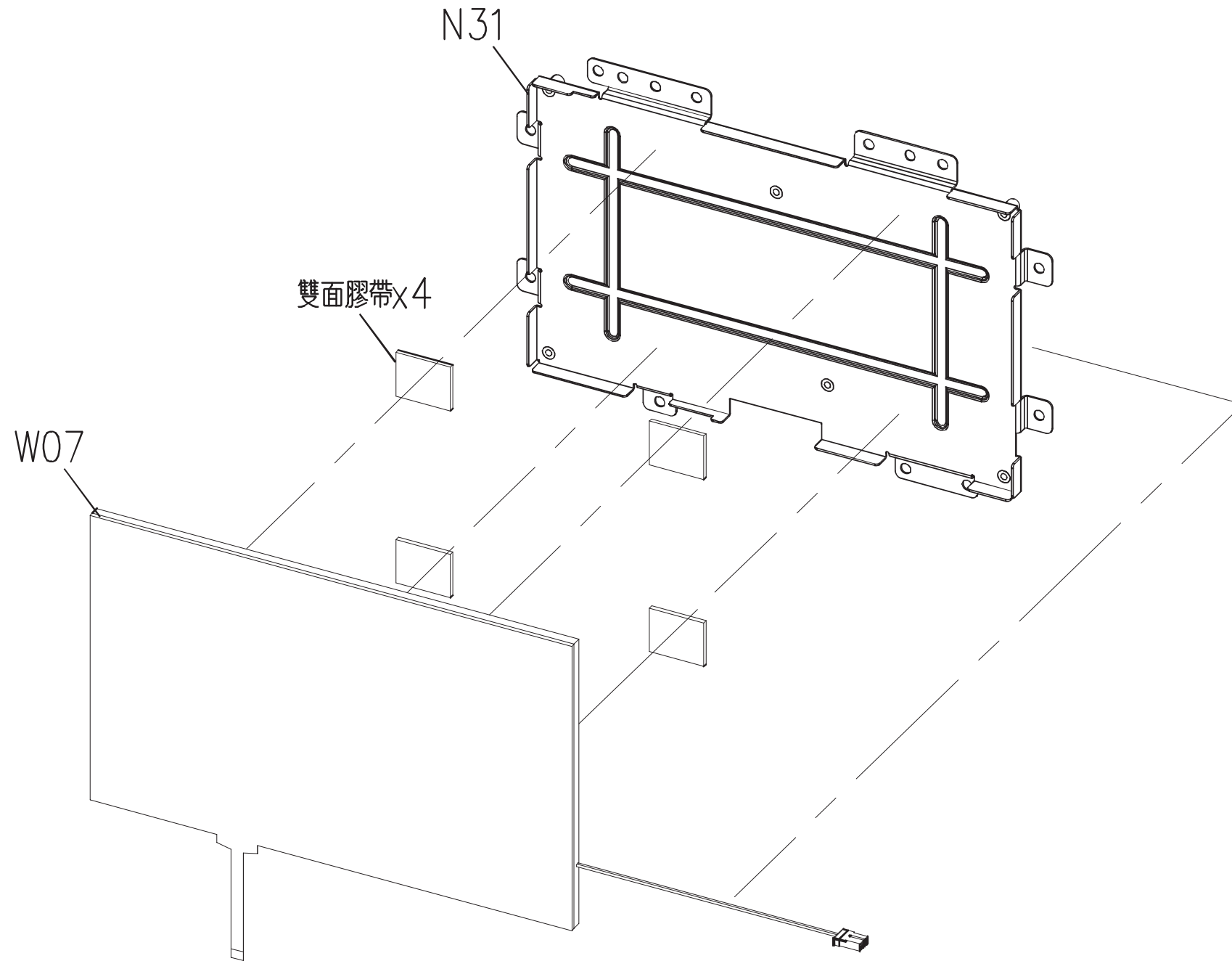
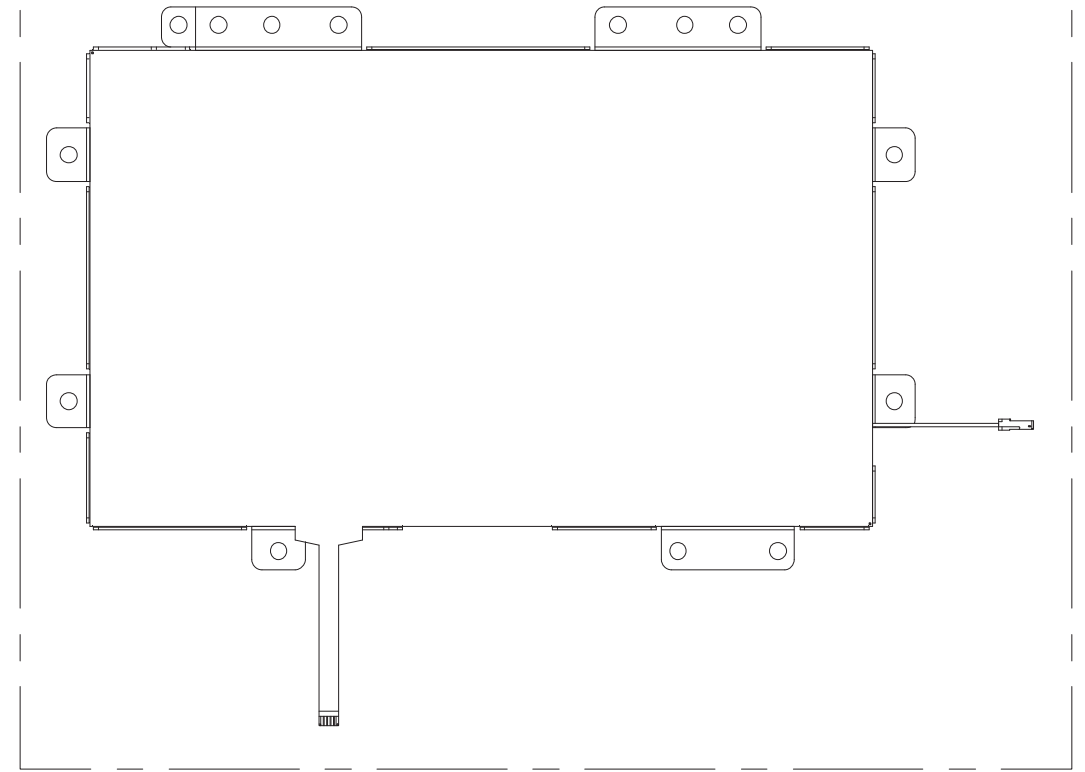
微星(MSI) 模組示意圖



備註: 1. 此物料為微星(MSI) 客供料
 2. 硬體版次、軟體版本請見SAP

DRAWING NO	EP625-AW55		
PART NAME	Panel Board Set		
PART NO	1000378955 B		
APPROVE	Gingo	DATE	20151204

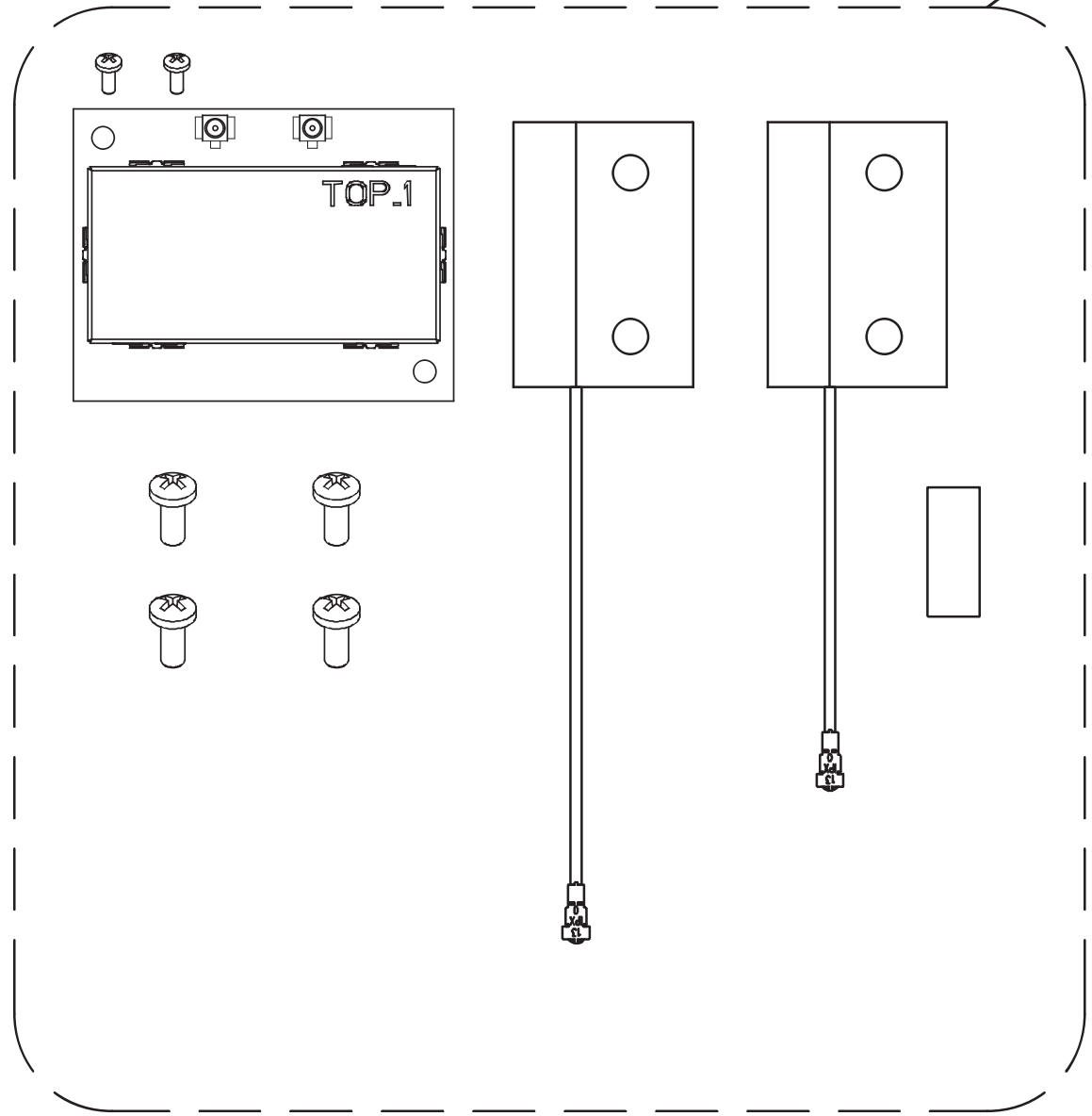
微星(MSI) PANEL 板組示意圖



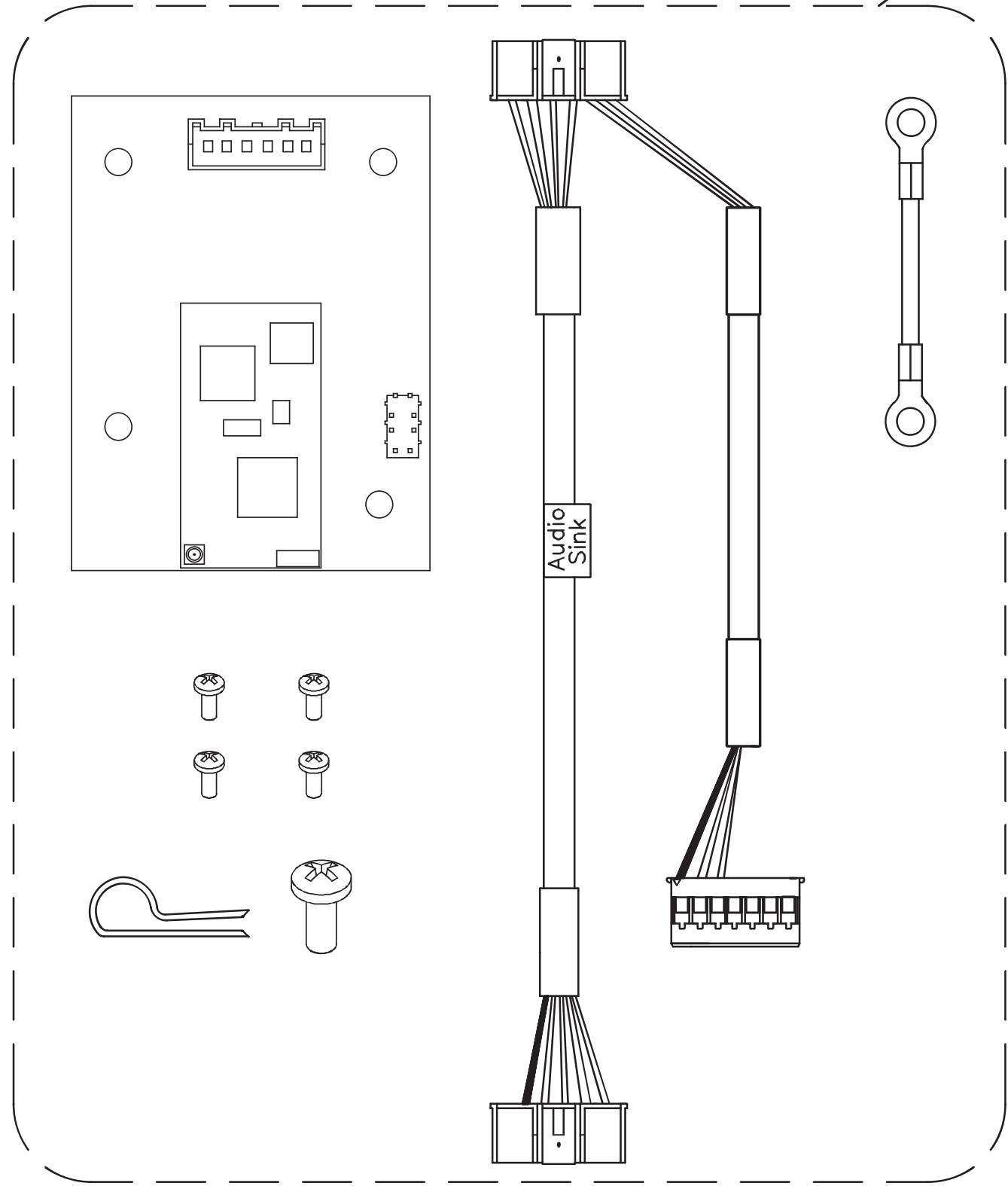
備註: 1. 此物料為微星(MSI)客供料
2. 硬體版次、軟體版本請見SAP

DRAWING NO	EP625-AW72		
PART NAME	Control Board Set		
PART NO	1000379208	REV	A
APPROVE	Gingo	DATE	20151123

2b

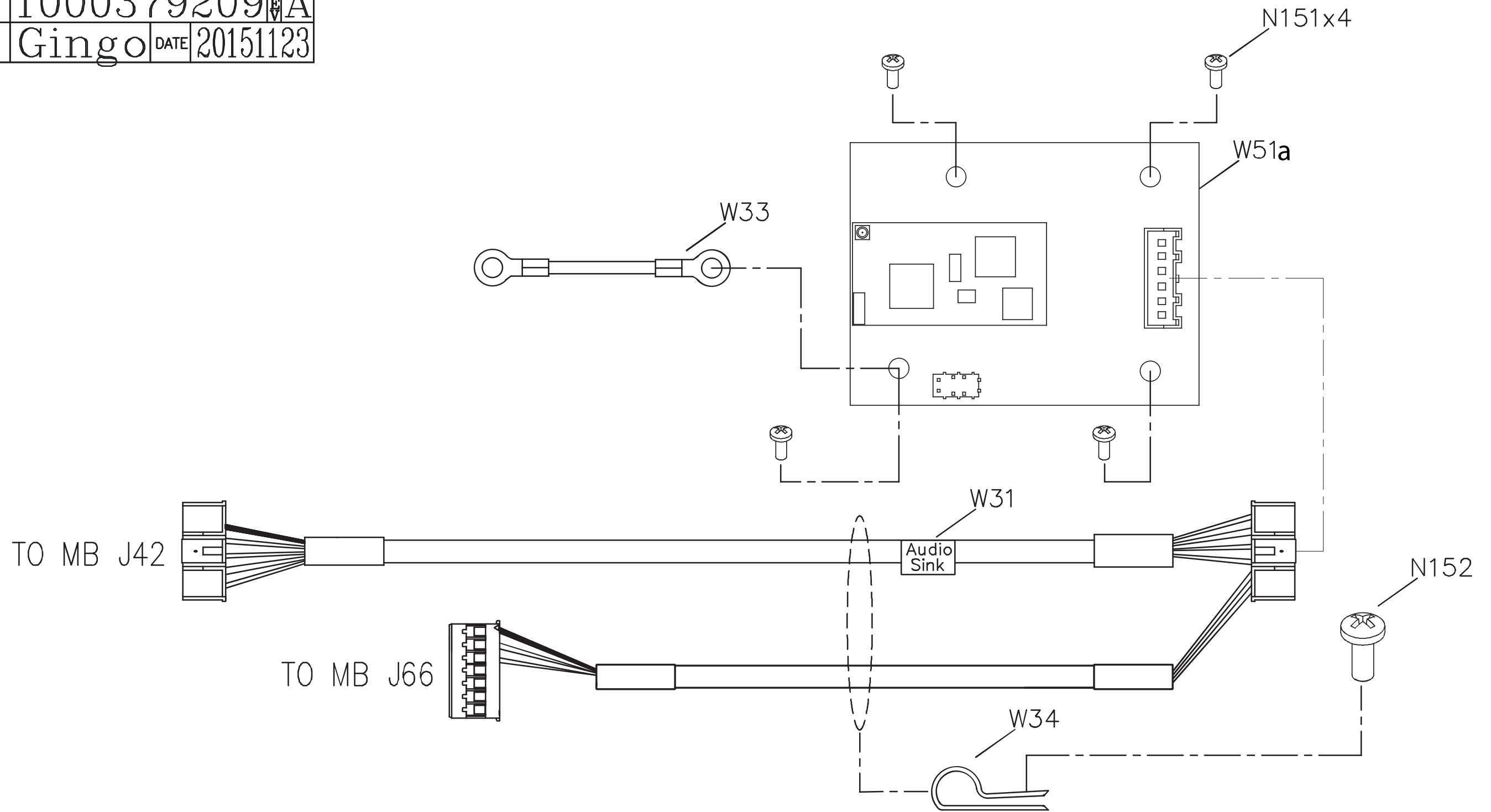


1



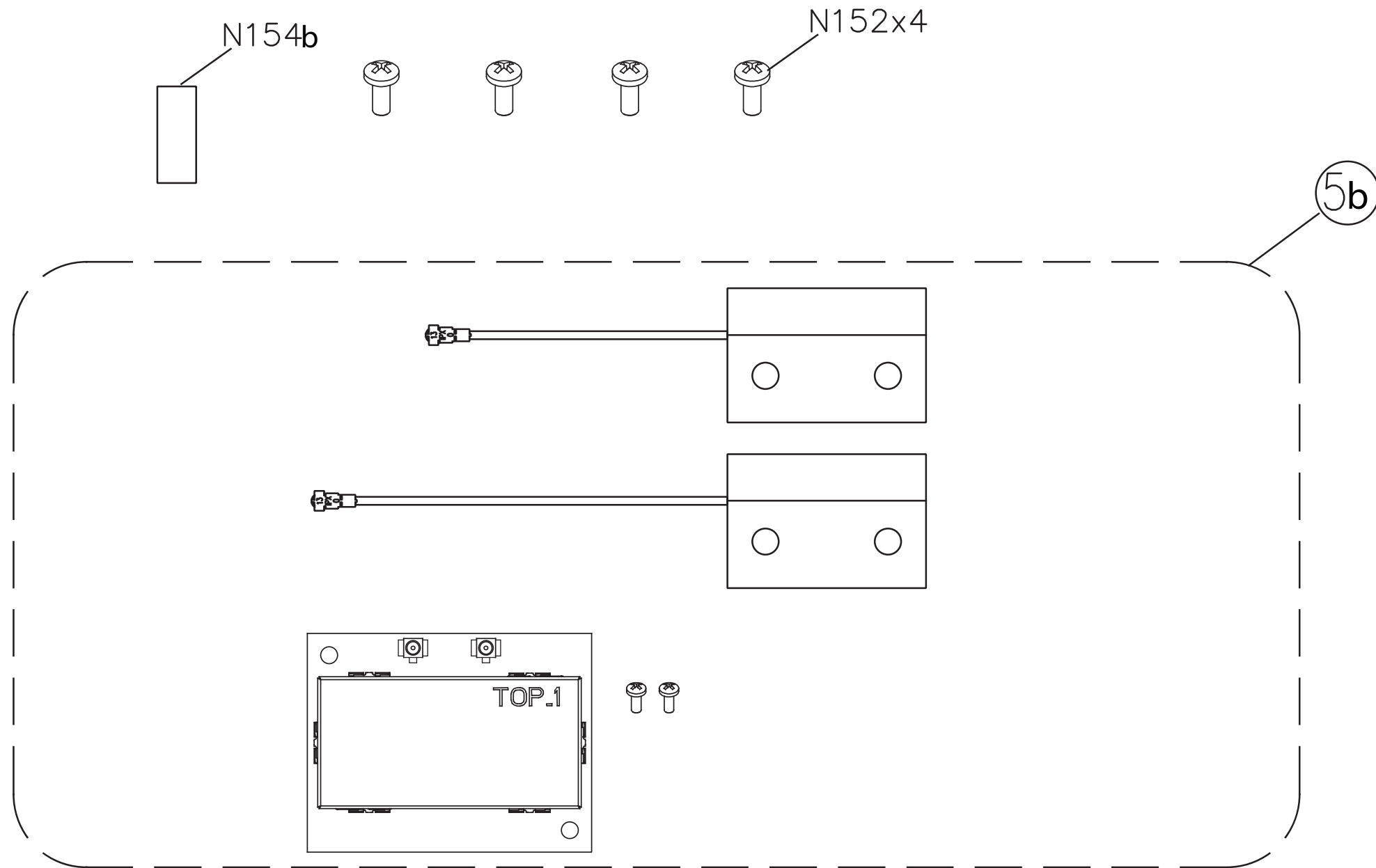
備註: 1. 硬體版次請見SAP

DRAWING NO	EP625-AW73		
PART NAME	Control Board Module		
PART NO	1000379209  A		
APPROVE	Gingo	DATE	20151123



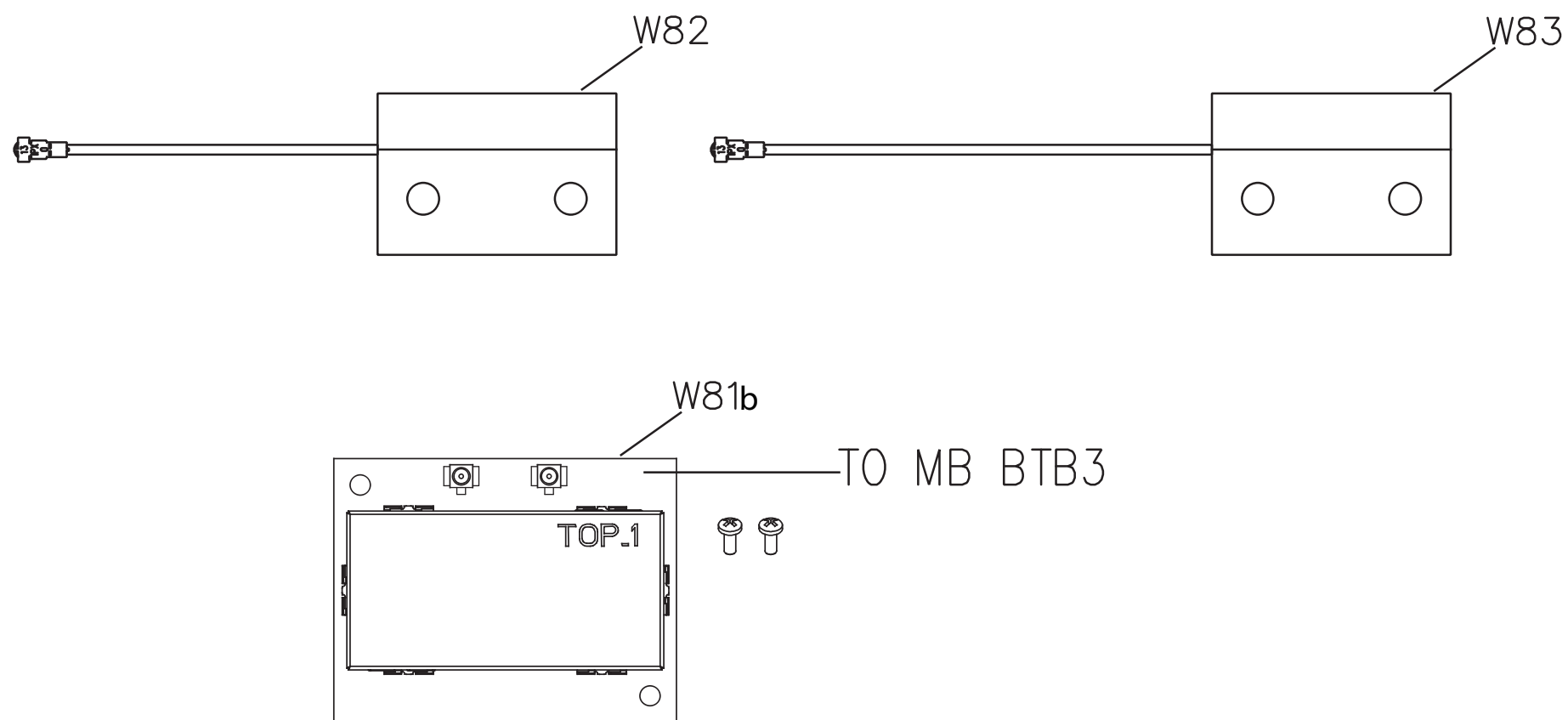
備註: 1. 硬體版次請見SAP

DRAWING NO	EP625-AW74		
PART NAME	WIFI Wireness module Set		
PART NO	1000379211B		
APPROVE	Gingo	DATE	20160219



備註: 1. 硬體版次請見SAP

DRAWING NO	EP625-AW75		
PART NAME	WIFI Wireness module Set		
PART NO	1000385354 B		
APPROVE	Gingo	DATE	20160219



備註: 1. 硬體版次請見SAP
 2. MSI 須附無線模組鎖固M2螺絲 2pcs