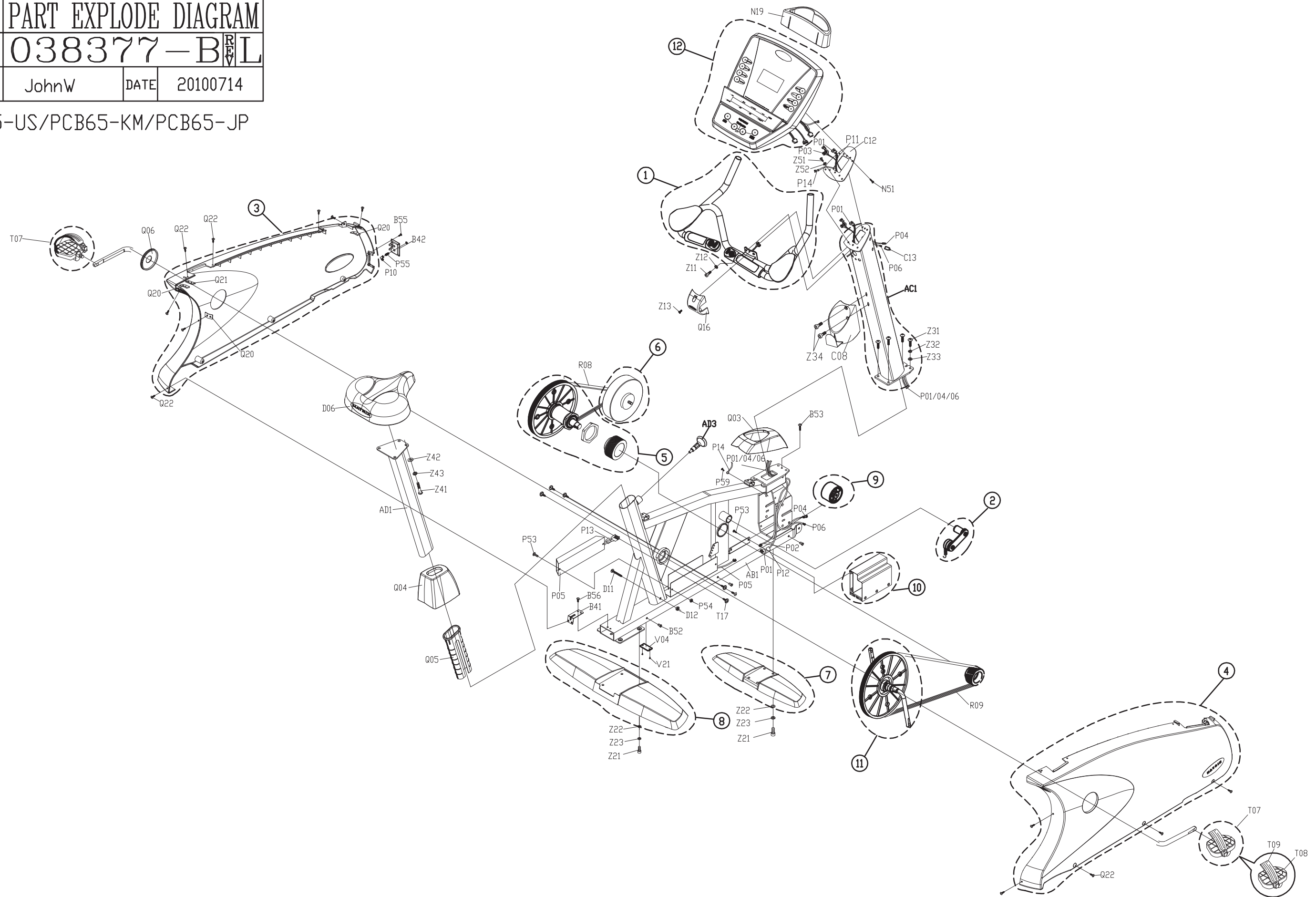
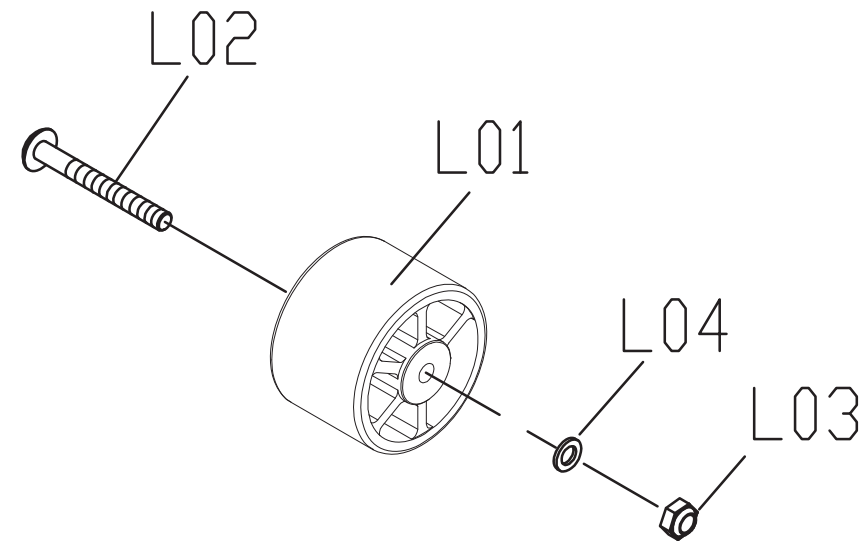


|            |                      |      |          |
|------------|----------------------|------|----------|
| DRAWING NO | CB65-A14D            |      |          |
| PART NAME  | PART EXPLODE DIAGRAM |      |          |
| PART NO    | 038377-BRL           |      |          |
| APPROVE    | JohnW                | DATE | 20100714 |

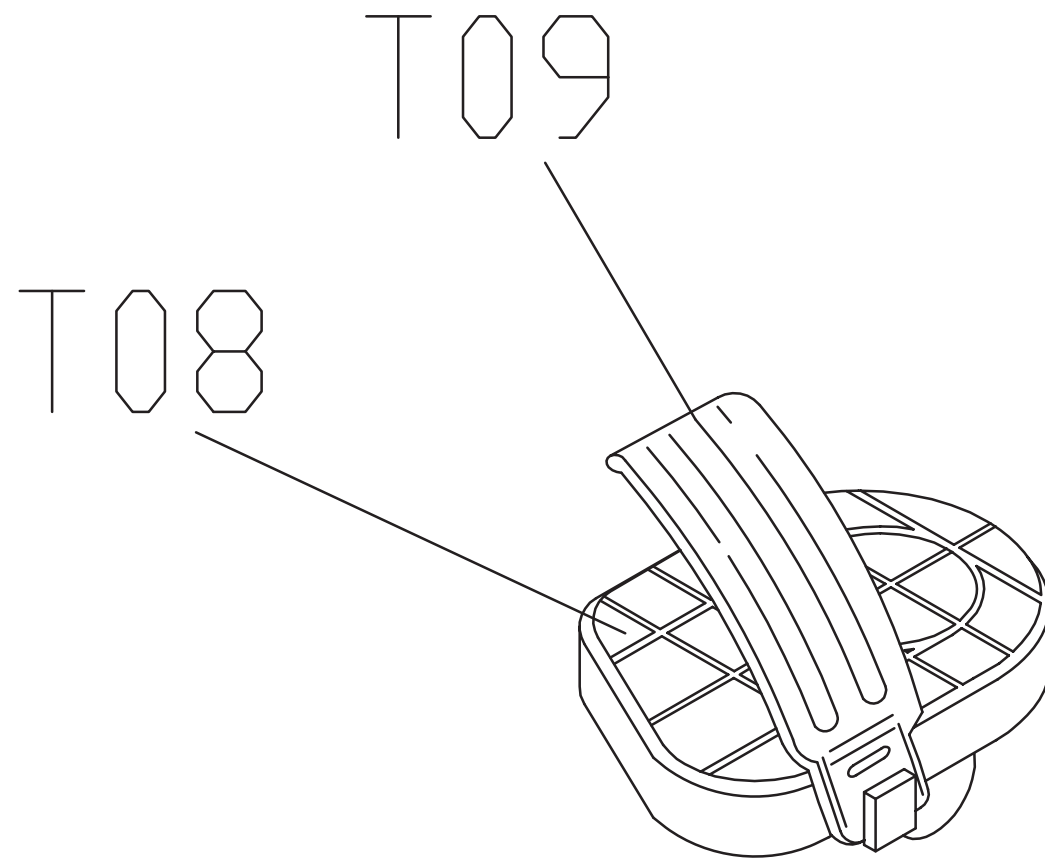
PCB65-US/PCB65-KM/PCB65-JP



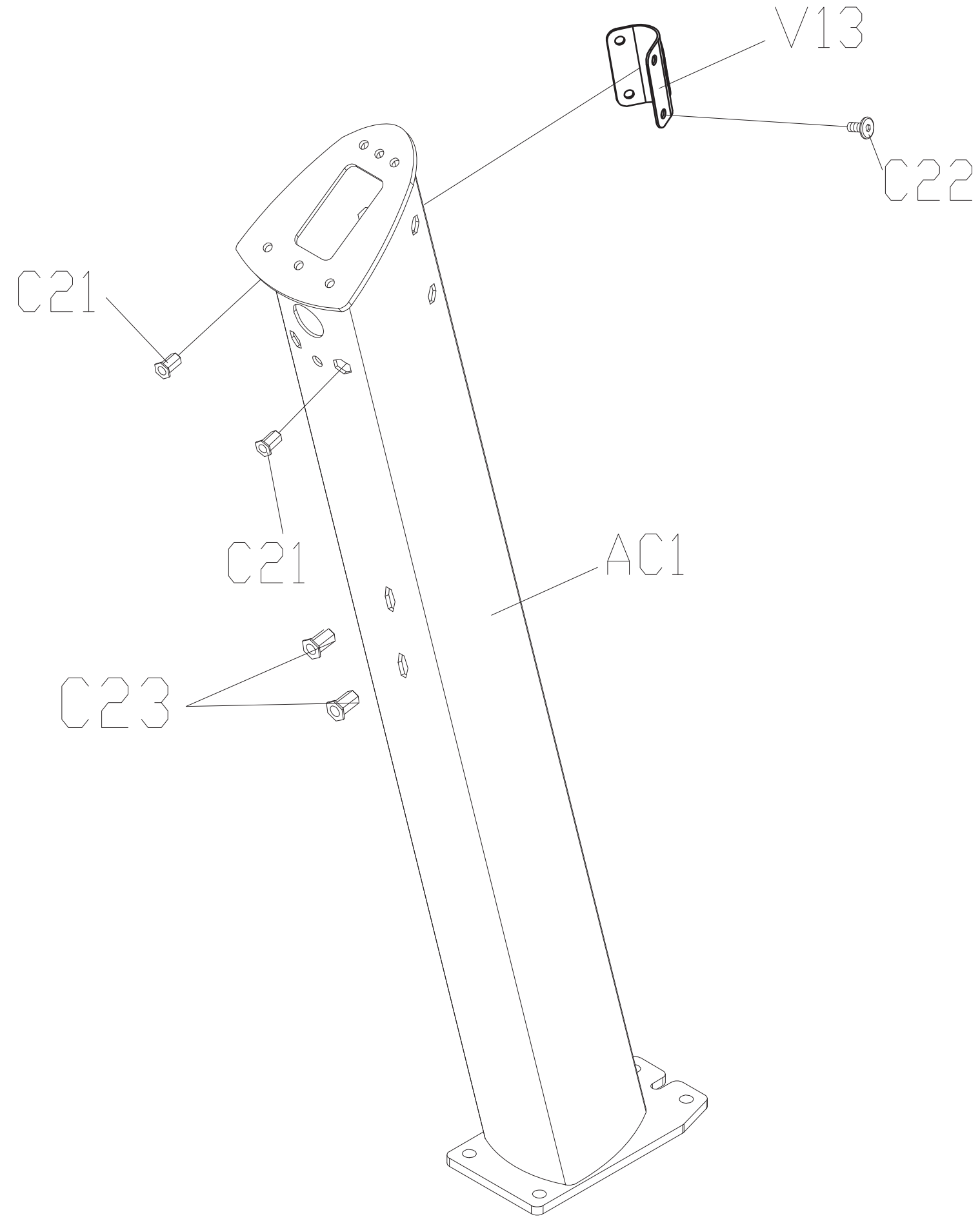
|                           |             |
|---------------------------|-------------|
| DRAWING NO<br>圖號          | CB61-AL1    |
| PART NAME(CH)<br>零件名稱(中文) | 禾多重力車輪系組    |
| PART NAME(EN)<br>零件名稱(英文) | Wheel Set   |
| SAP PART NO<br>SAP料號      | 012377-001A |



|            |                           |      |          |
|------------|---------------------------|------|----------|
| DRAWING NO | CB32B-T07                 |      |          |
| PART NAME  | PEDAL SET                 |      |          |
| PART NO    | 014724-A <sup>REV</sup> A |      |          |
| APPROVE    | JohnW                     | DATE | 20160619 |

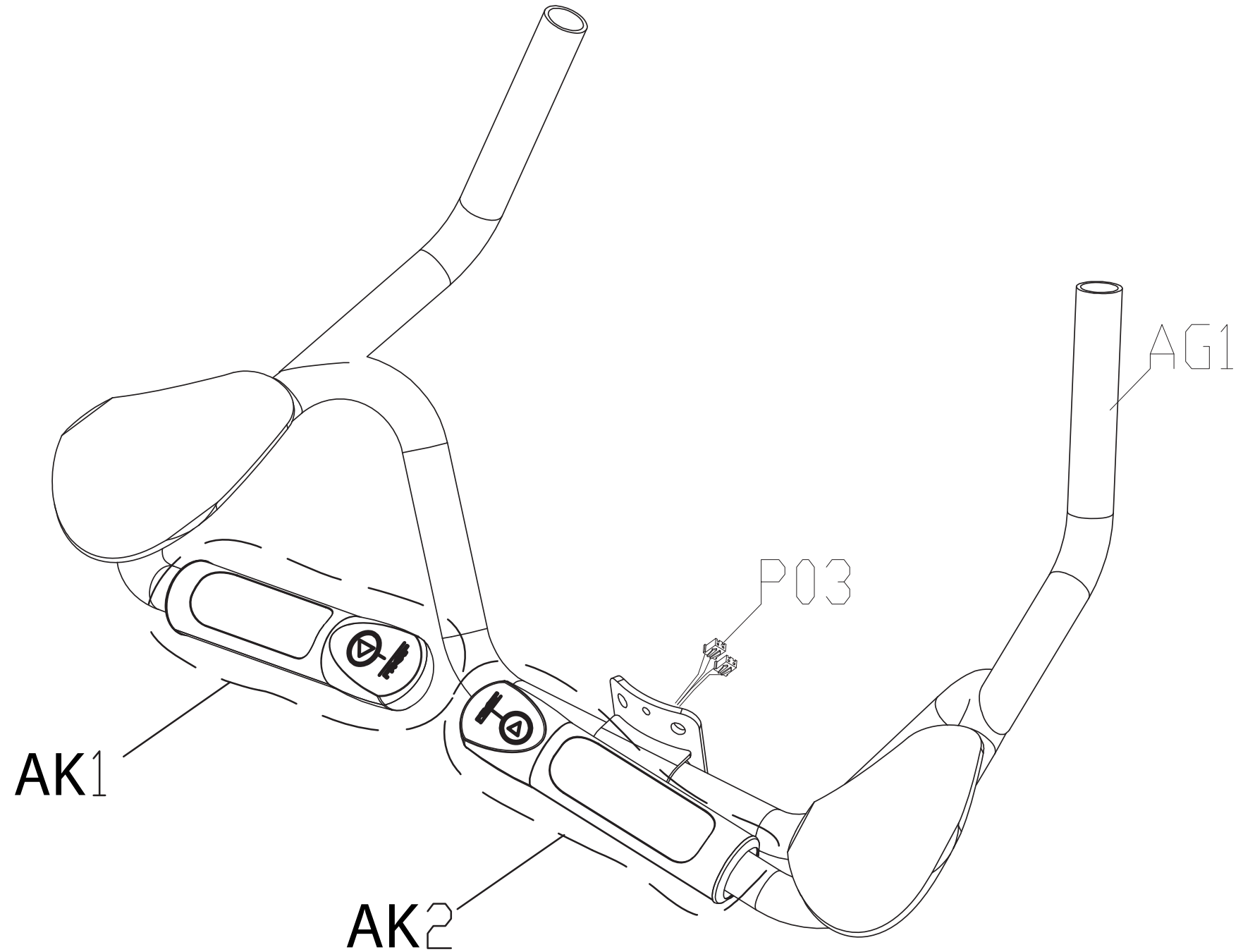


|            |                           |      |          |
|------------|---------------------------|------|----------|
| DRAWING NO | CB65-AC3                  |      |          |
| PART NAME  | Console Mast Set          |      |          |
| PART NO    | 039174-Z <sup>REV</sup> A |      |          |
| APPROVE    | JohnW                     | DATE | 20100714 |

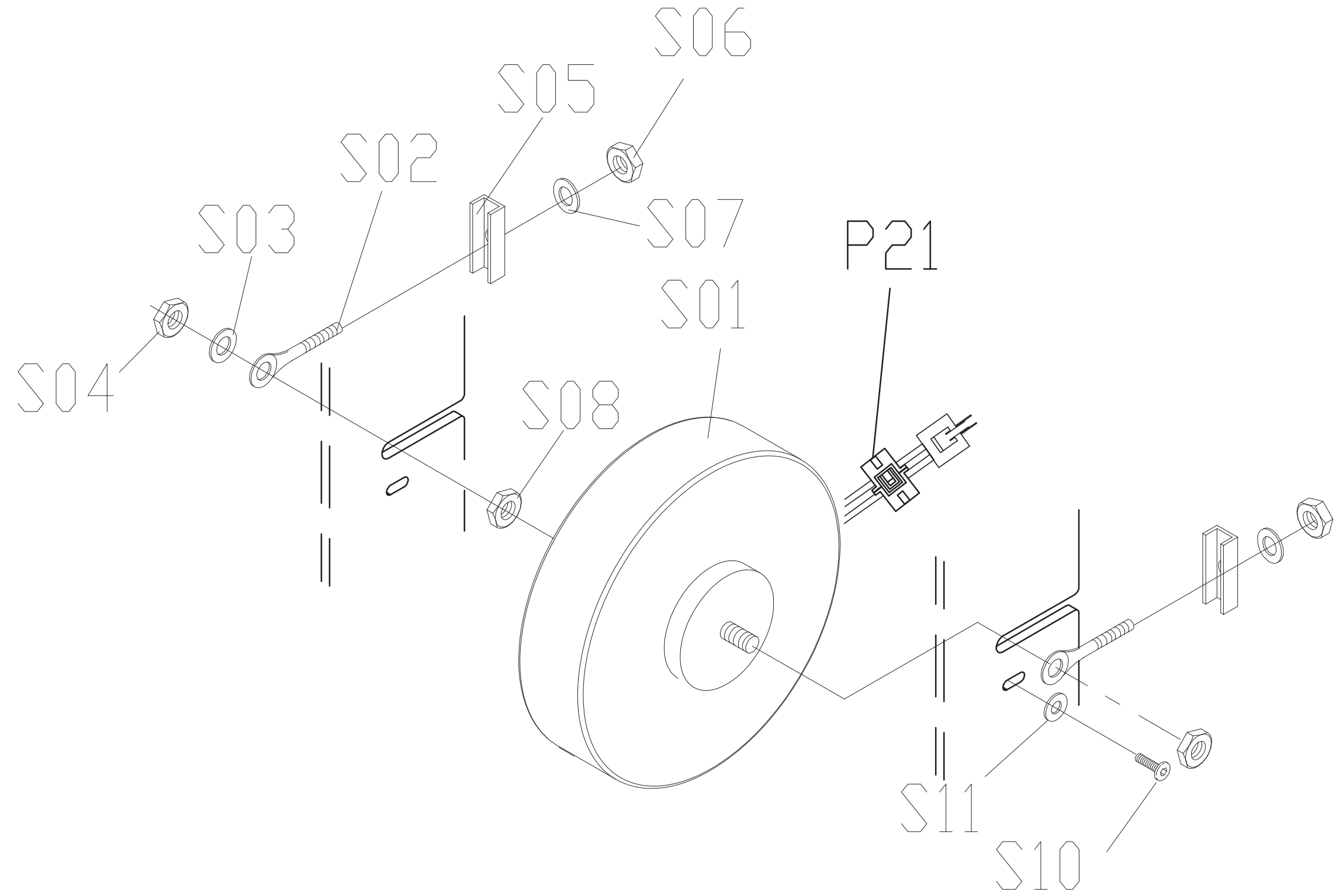


|            |   |      |          |
|------------|---|------|----------|
| DRAWING NO | CB65-AG2                                  |      |          |
| PART NAME  | Handlebar Set                             |      |          |
| PART NO    | AS ATTACHMENT <sup>R</sup> <sub>E</sub> A |      |          |
| APPROVE    | JohnW                                     | DATE | 20100714 |

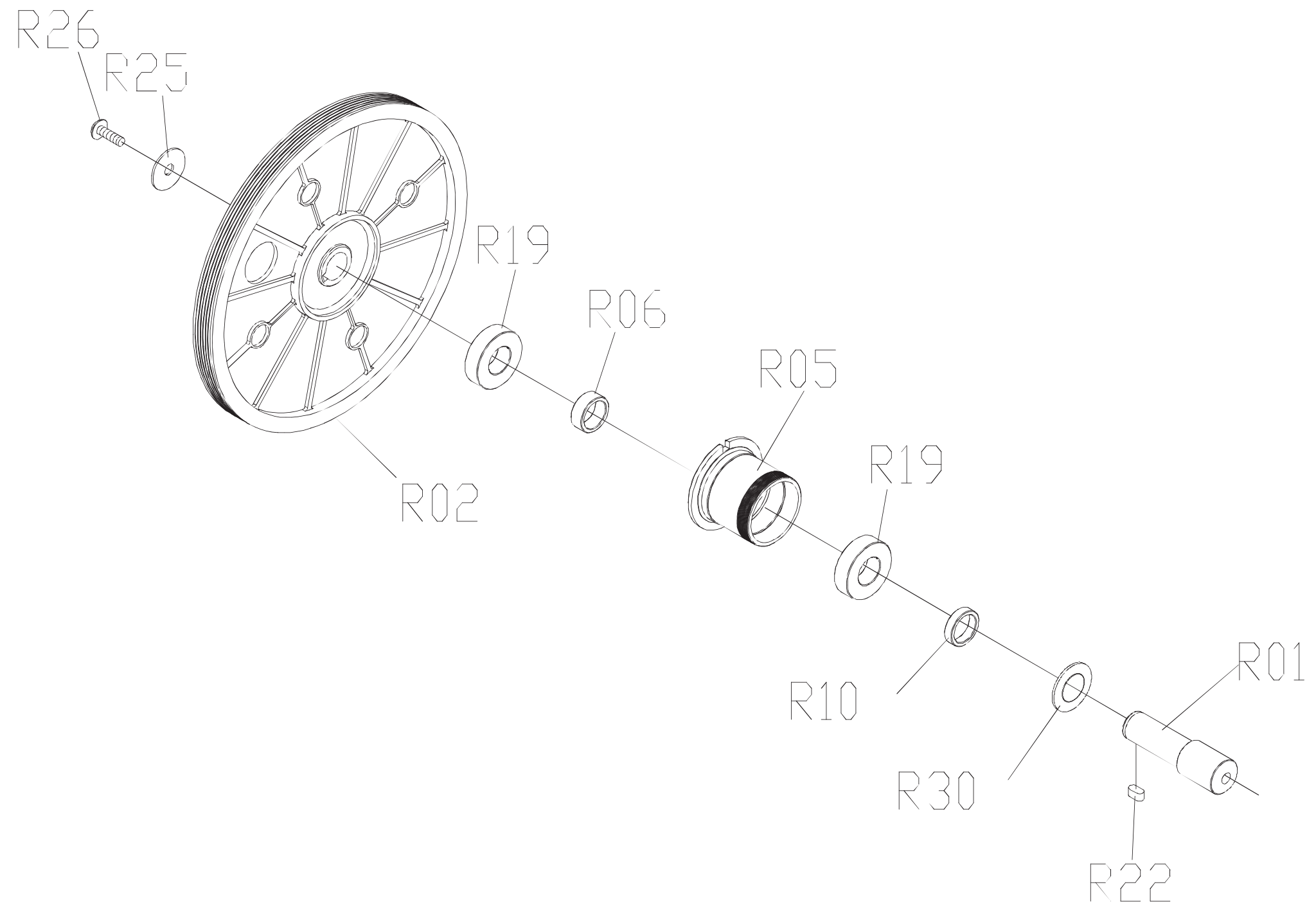
|            |          |
|------------|----------|
| Part NO.   | Language |
| 039175-Z   | ENGLISH  |
| 0000094196 | JAPANESE |



|            |               |      |          |
|------------|---------------|------|----------|
| DRAWING NO | CB62-AS1      |      |          |
| PART NAME  | GENERATOR SET |      |          |
| PART NO    | 066880-001A   |      |          |
| APPROVE    | JohnW         | DATE | 20100714 |

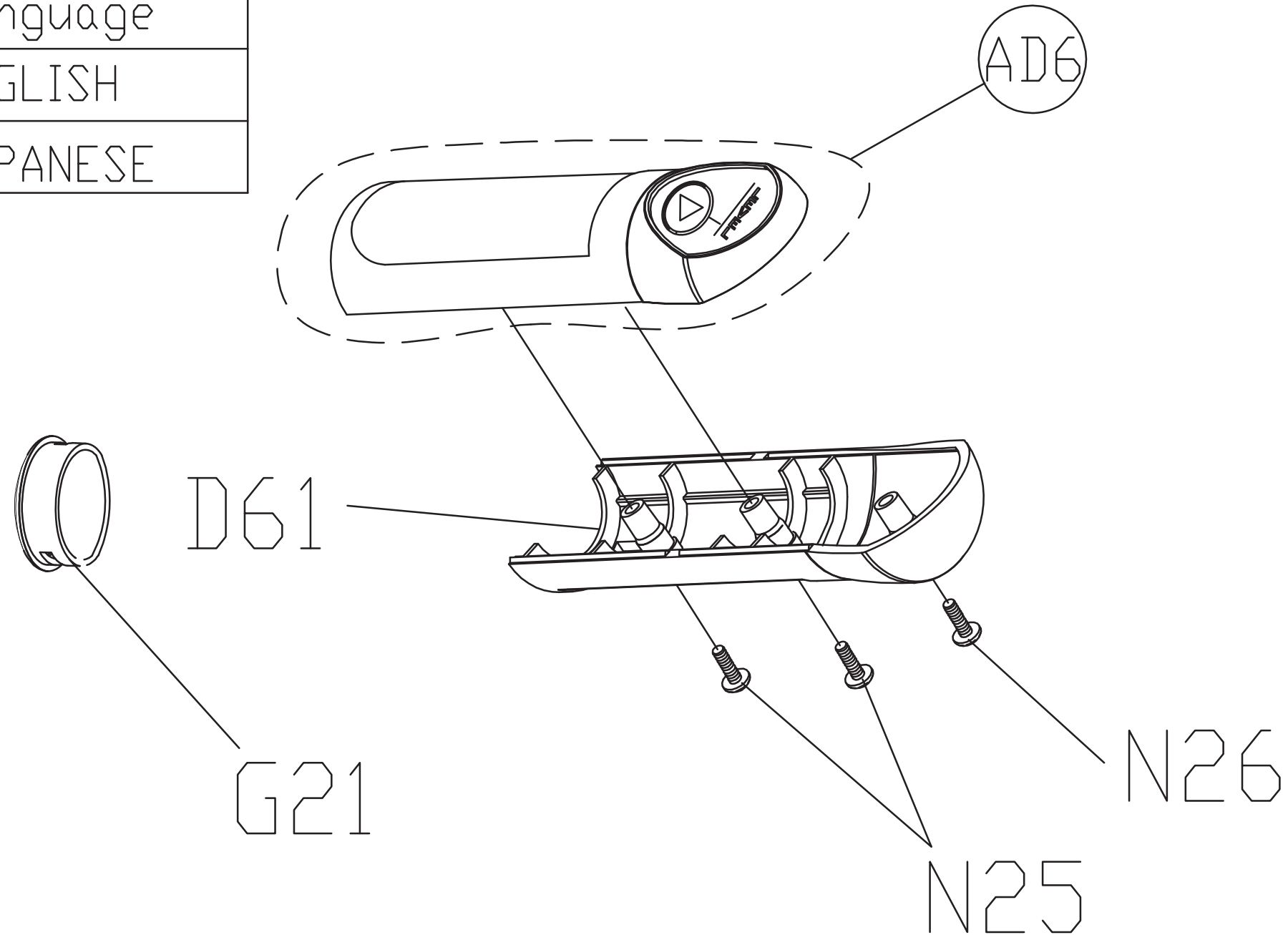


|            |                             |      |          |
|------------|-----------------------------|------|----------|
| DRAWING NO | CB75-AR2                    |      |          |
| PART NAME  | Transmission Set            |      |          |
| PART NO    | 0000090873 <sup>REV</sup> E |      |          |
| APPROVE    | sammi                       | DATE | 20140813 |



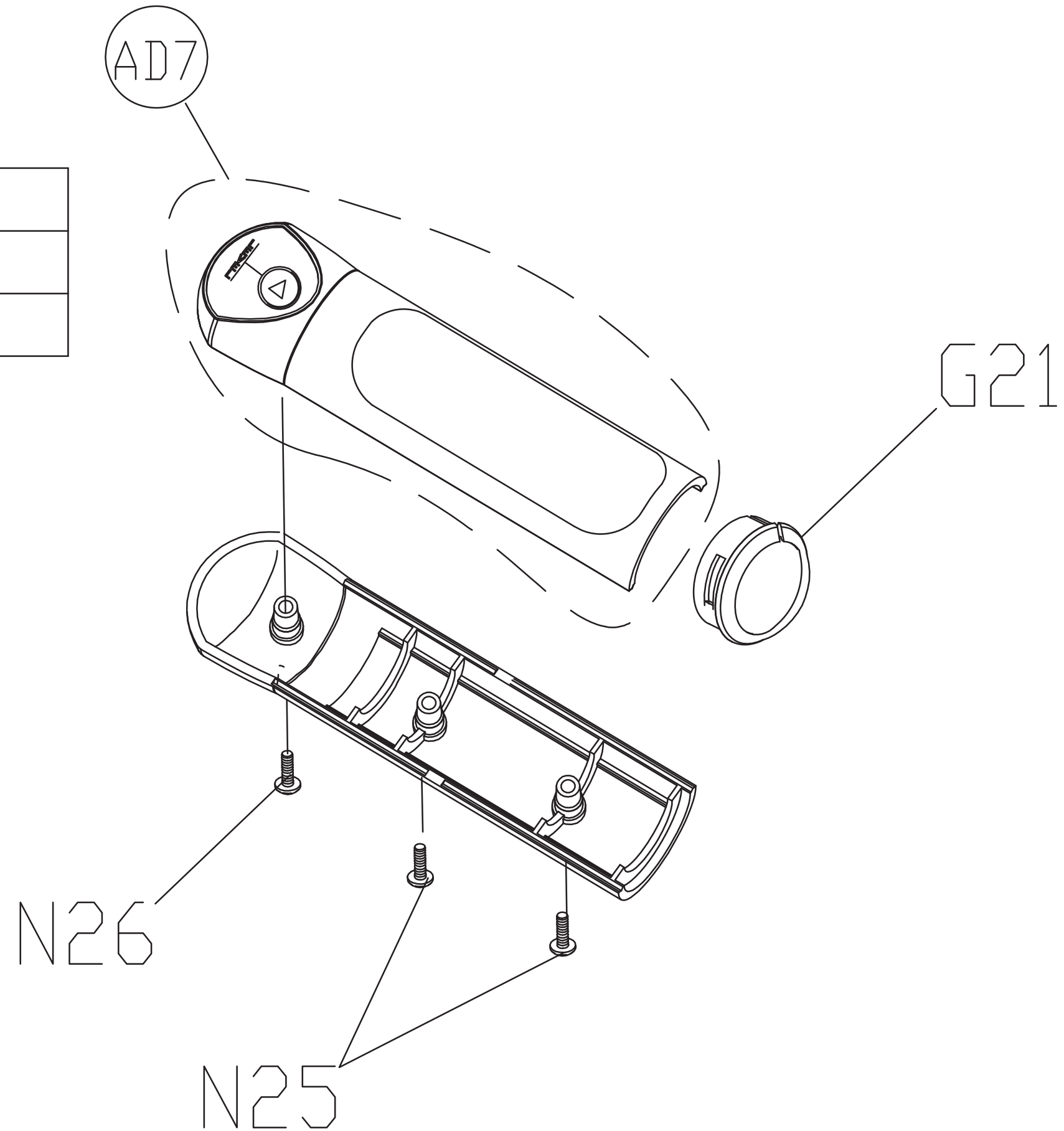
|            |   |      |          |
|------------|---|------|----------|
| DRAWING NO | CB65-AN3                                  |      |          |
| PART NAME  | HAND PULSE GRIP;L                         |      |          |
| PART NO    | AS ATTACHMENT <sup>R</sup> <sub>E</sub> A |      |          |
| APPROVE    | JohnW                                     | DATE | 20100714 |

| Part NO.   | Language |
|------------|----------|
| 0000094091 | ENGLISH  |
| 0000094131 | JAPANESE |

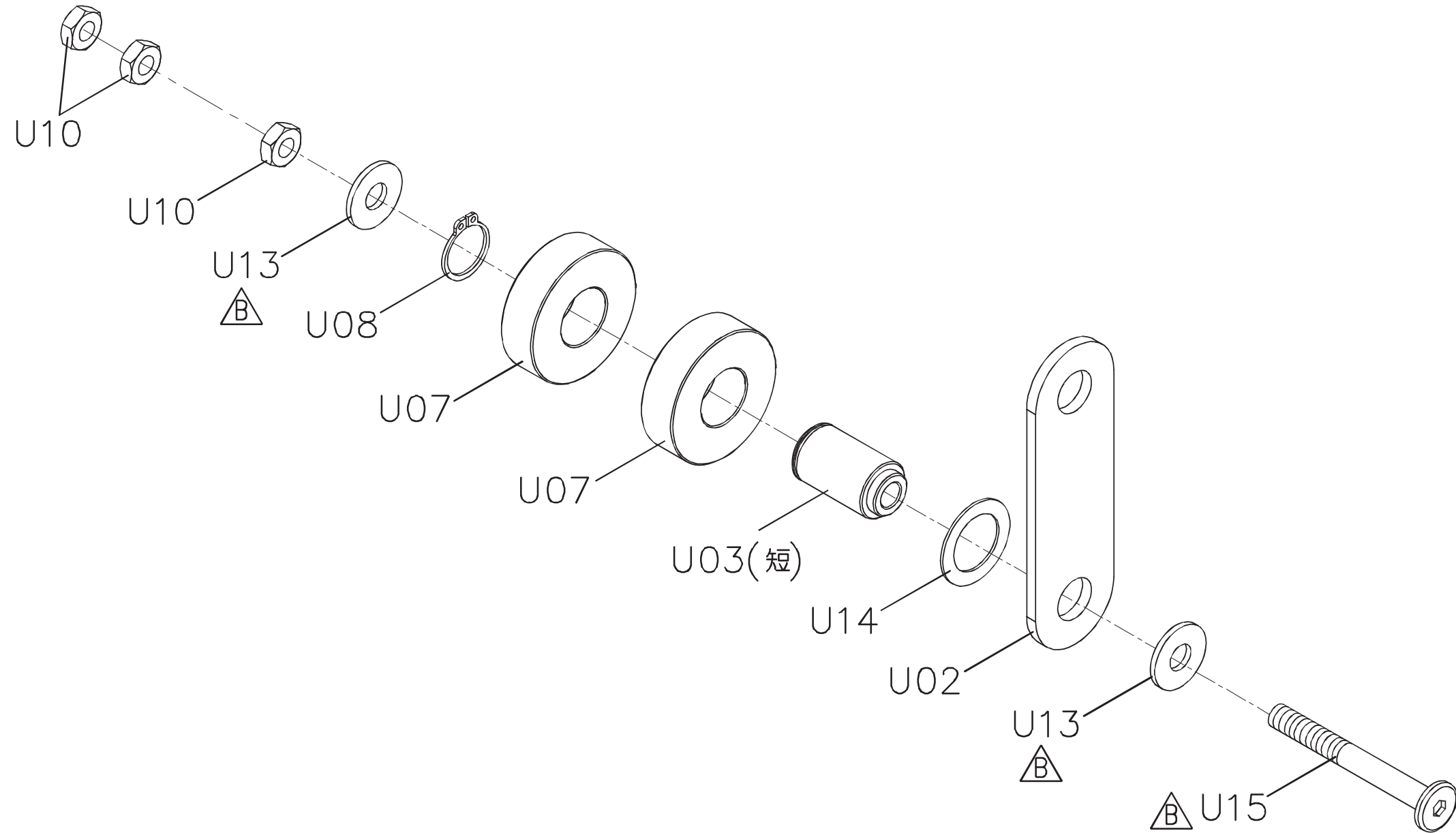


|            |                                |      |          |
|------------|--------------------------------|------|----------|
| DRAWING NO | CB65-AN4                       |      |          |
| PART NAME  | HAND PULSE GRIP;R              |      |          |
| PART NO    | AS ATTACHMENT <sup>REV</sup> A |      |          |
| APPROVE    | JohnW                          | DATE | 20100714 |

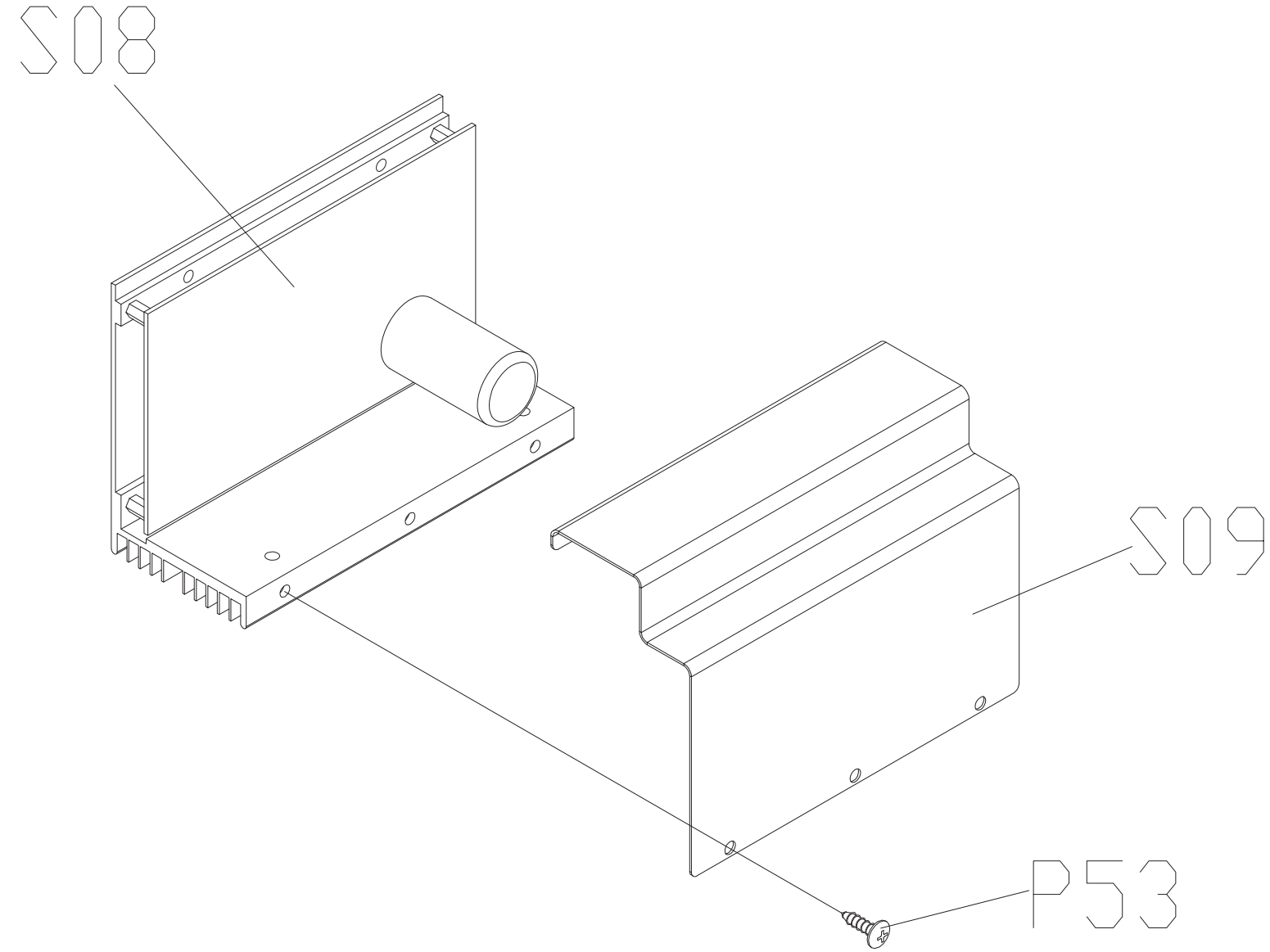
|            |          |
|------------|----------|
| Part NO.   | Language |
| 0000094093 | ENGLISH  |
| 0000094133 | JAPANESE |



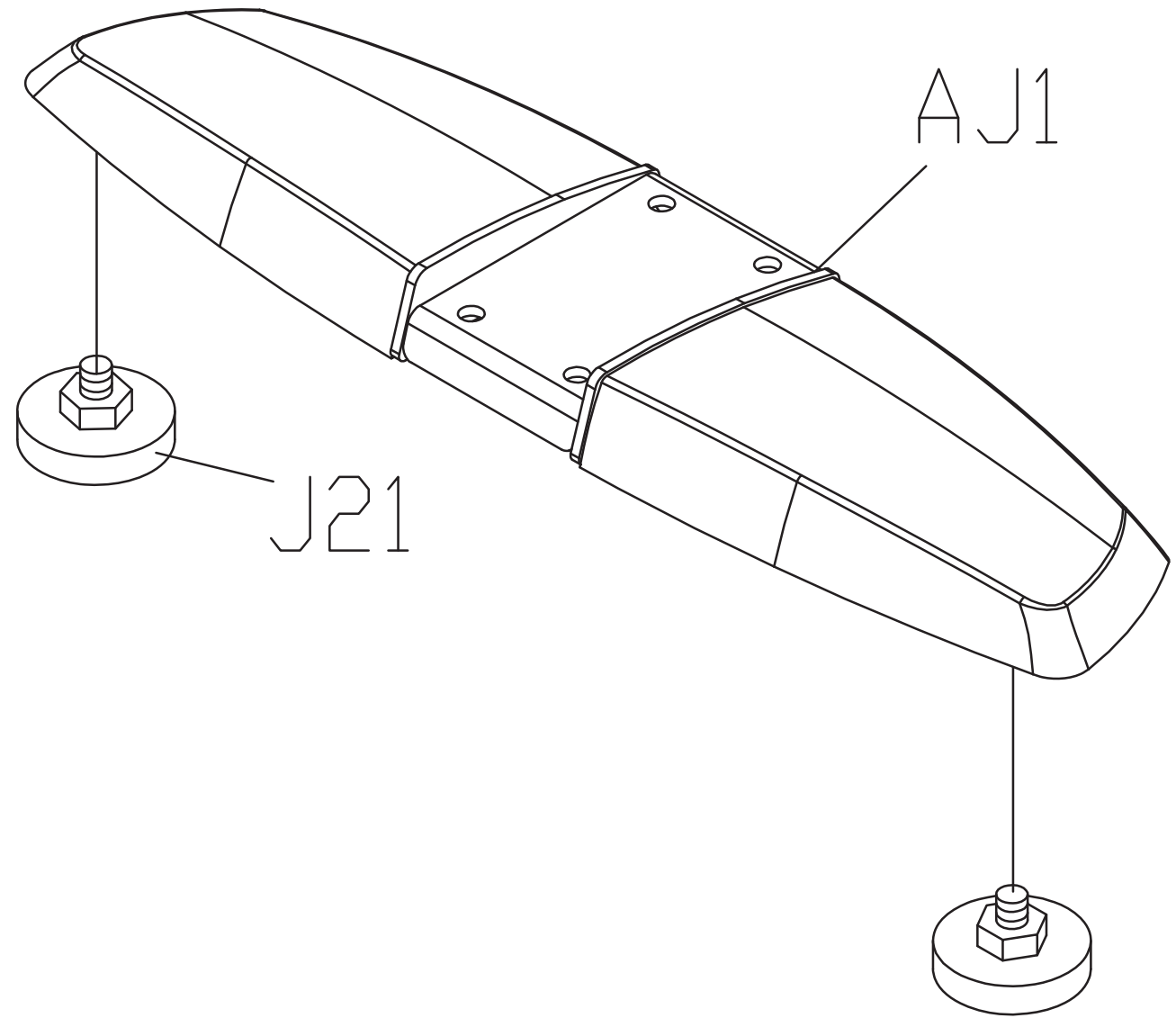
|            |            |      |          |
|------------|------------|------|----------|
| DRAWING NO | CB75-AU3   |      |          |
| PART NAME  | Idle Set   |      |          |
| PART NO    | 0000095397 | REV  | C        |
| APPROVE    | sammi      | DATE | 20140813 |



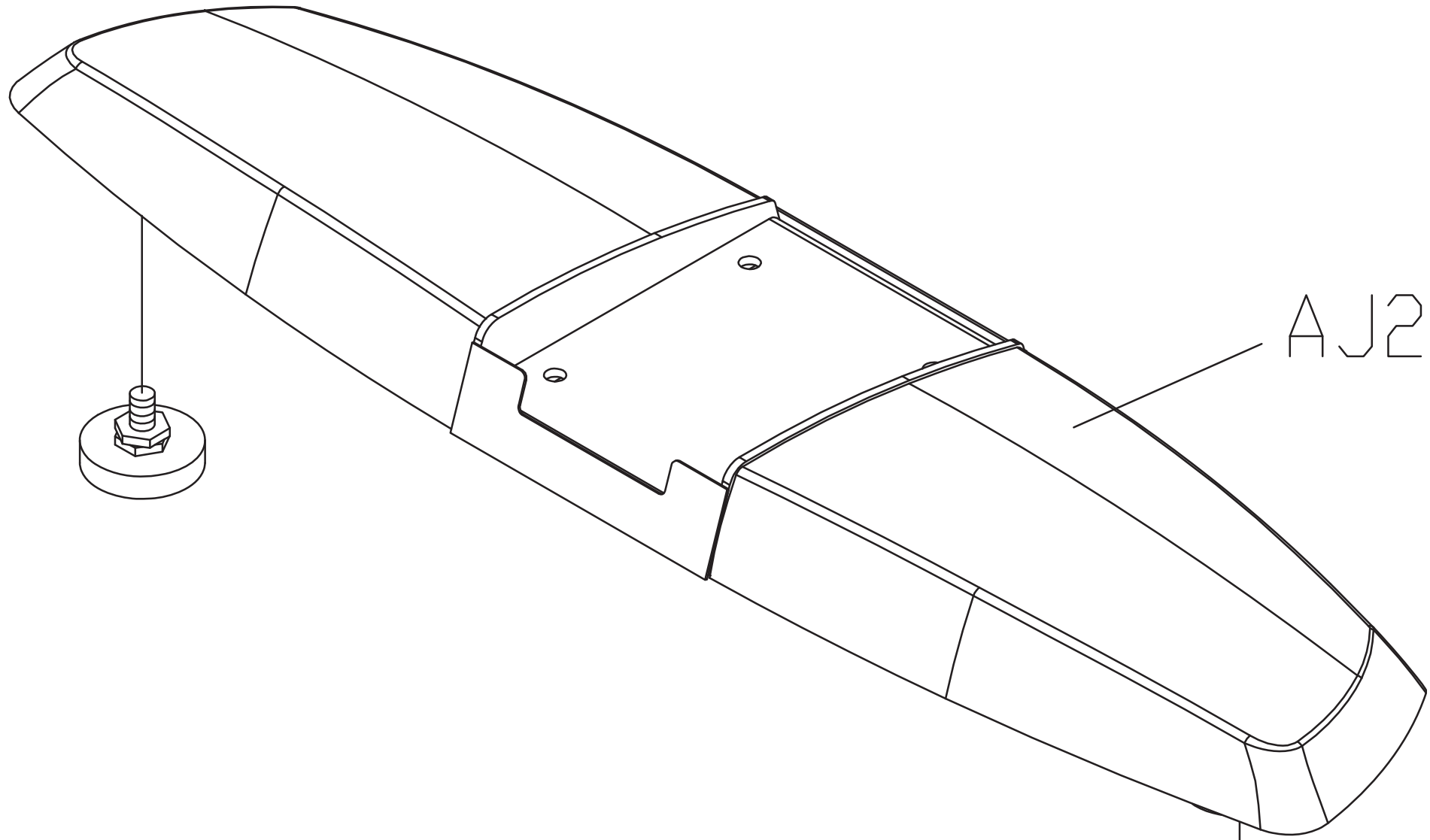
|            |                             |      |          |
|------------|-----------------------------|------|----------|
| DRAWING NO | CB65-AS1                    |      |          |
| PART NAME  | CONTROLLER SET              |      |          |
| PART NO    | 1000207252 <sup>REV</sup> A |      |          |
| APPROVE    | JohnW                       | DATE | 20100714 |



|            |                             |      |          |
|------------|-----------------------------|------|----------|
| DRAWING NO | CB65-AJ1                    |      |          |
| PART NAME  | STABILIZER SET;F            |      |          |
| PART NO    | 1000207253 <sup>REV</sup> A |      |          |
| APPROVE    | JohnW                       | DATE | 20100714 |



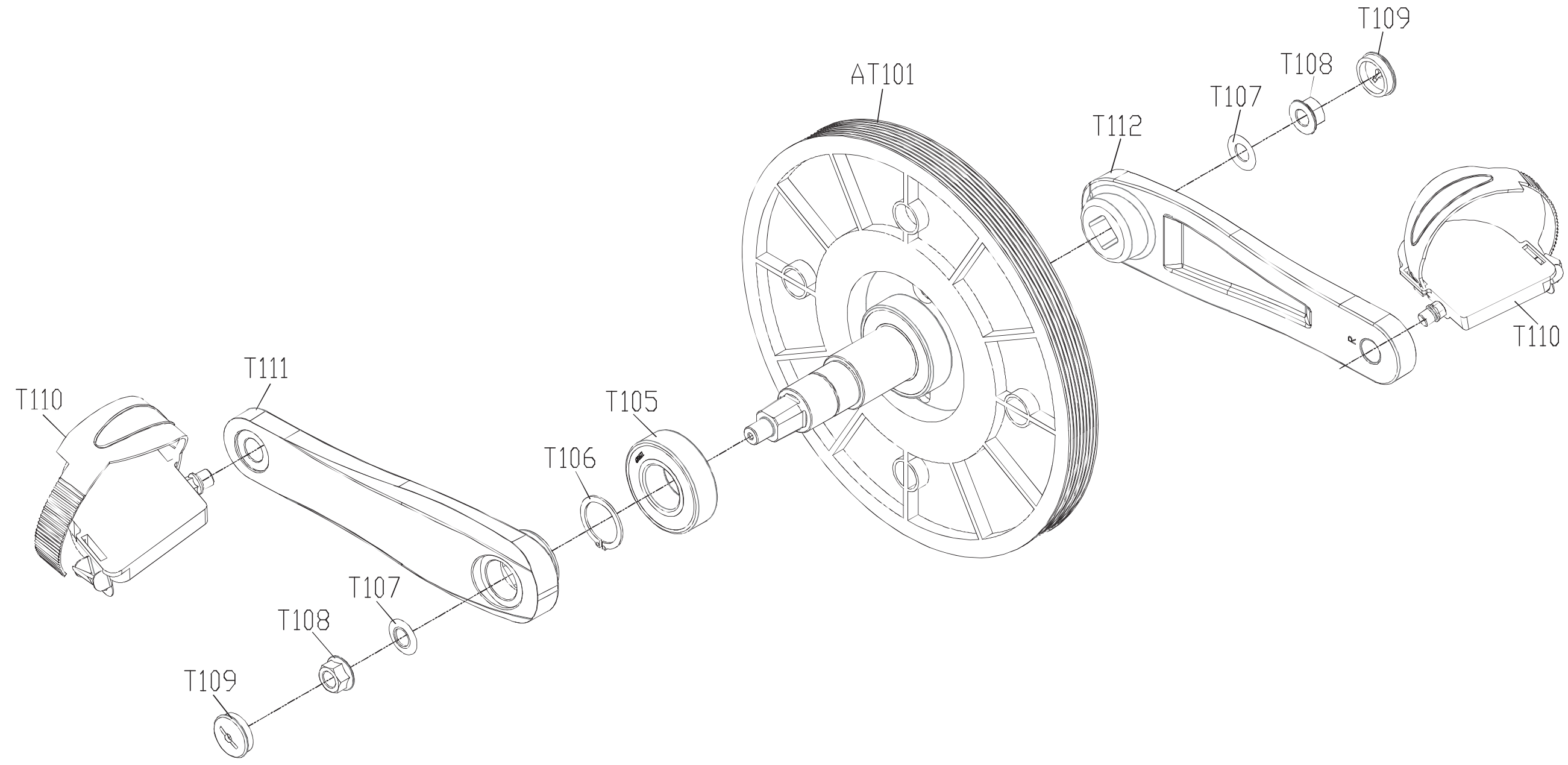
|            |  |      |          |
|------------|--|------|----------|
| DRAWING NO | CB65-AJ2   |      |          |
| PART NAME  | STABILIZER SET;R   |      |          |
| PART NO    | 1000207254 <sup>R</sup> <sub>E</sub> <sup>V</sup> <sub>A</sub> |      |          |
| APPROVE    | JohnW  | DATE | 20100714 |



AJ2

J22x2

|            |                       |      |        |
|------------|-----------------------|------|--------|
| DRAWING NO | CB72-AT100            |      |        |
| PART NAME  | Pedal Axle Set;+Crank |      |        |
| PART NO    | 1000387880            | REV  | C      |
| APPROVE    | Lewis                 | DATE | 053016 |

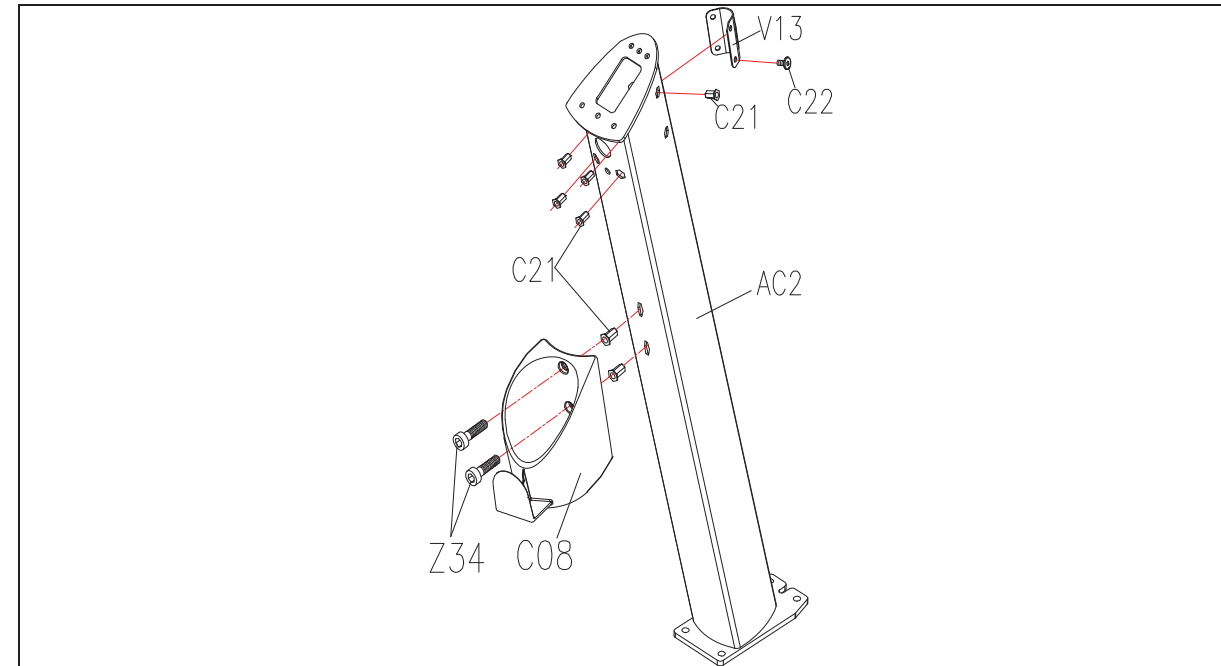




# MATRIX MX-U5x

SZCB65CSM-01 (0000085539)

## CONSOLE MAST SET WITH BOTTLE HOLDER



| ITEM NO. | PART NO    | DESCRIPTION                              | QTY |
|----------|------------|--|-----|
| AC2      | 0000080812 | CONSOLE MAST                             | 1   |
| C21      | 004983-A   | HEX INSERT NUT                           | 10  |
| C22      | 004697-AC  | SCREW;HEX SOCKET;M8X1.25PX25L;ZINC;      | 4   |
| V13      | 006675-C   | TV SPECIAL USE DECAL                     | 1   |
| C08      | 0000080783 | KETTLERACK;CONSOLE MAST;ABS;746;BL;CB62; | 1   |
| Z34      | 004539-AC  | SCREW HEX M8X25                          | 2   |