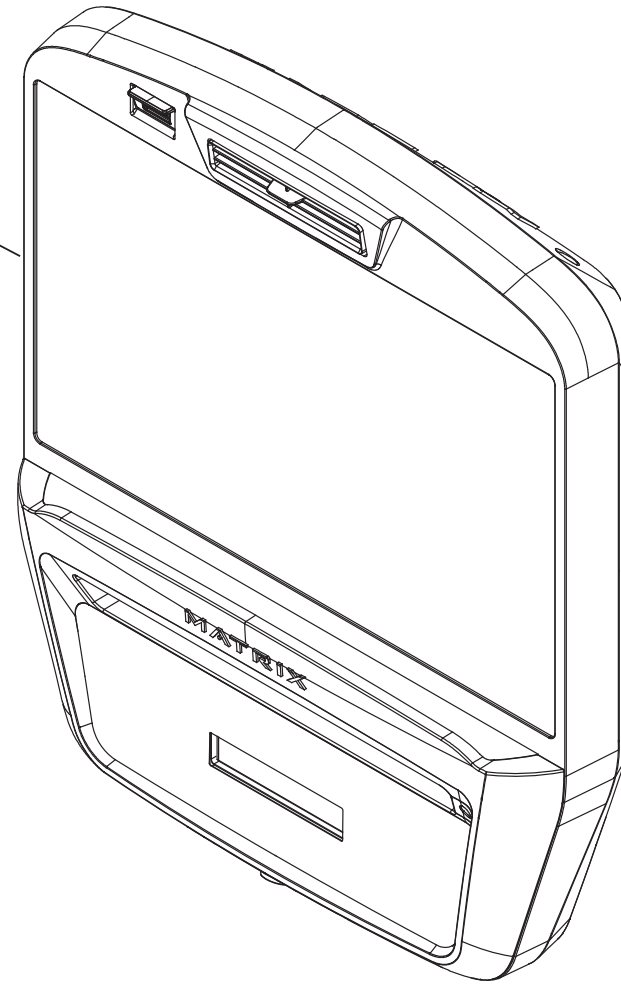


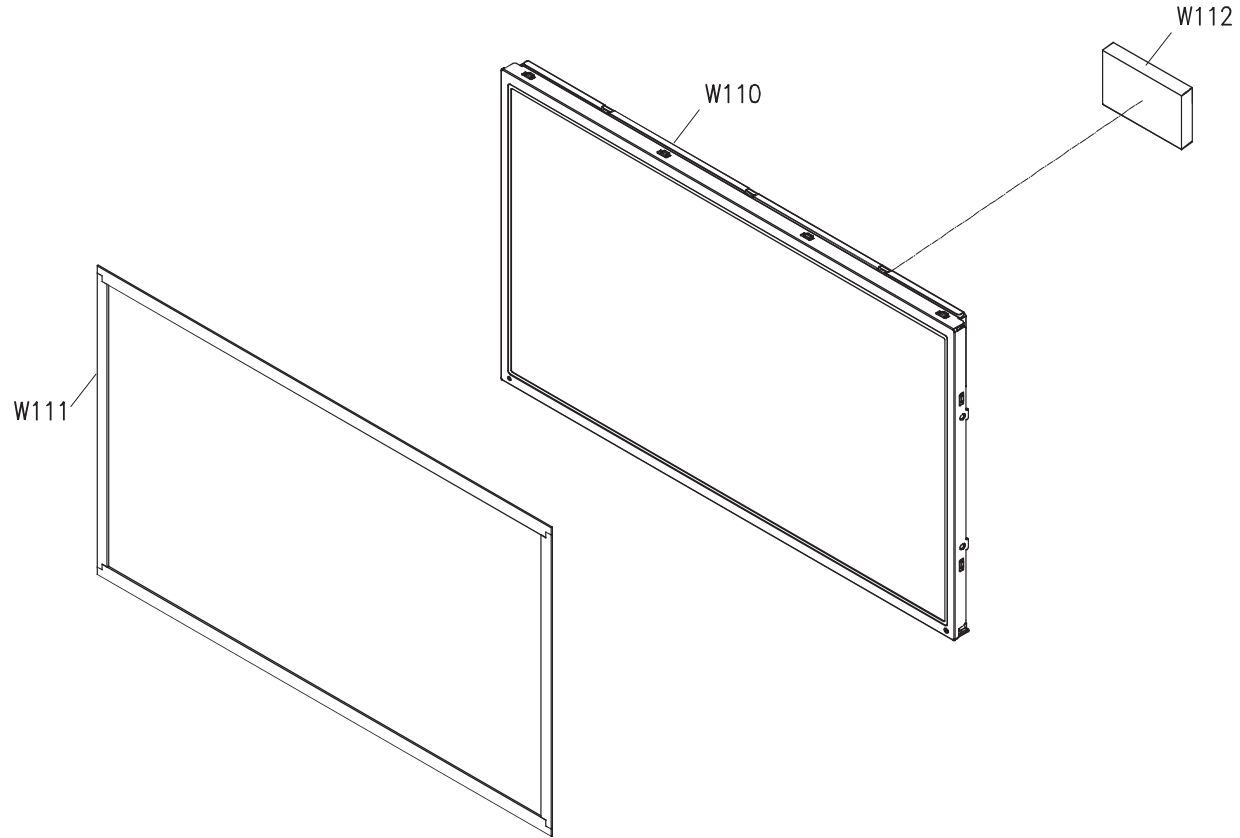
DRAWING NO	EP621C-A15		
PART NAME	ASSEMBLY VIEW		
PART NO	1000421705	REV	A
APPROVE	Castiel	DATE	030518

21

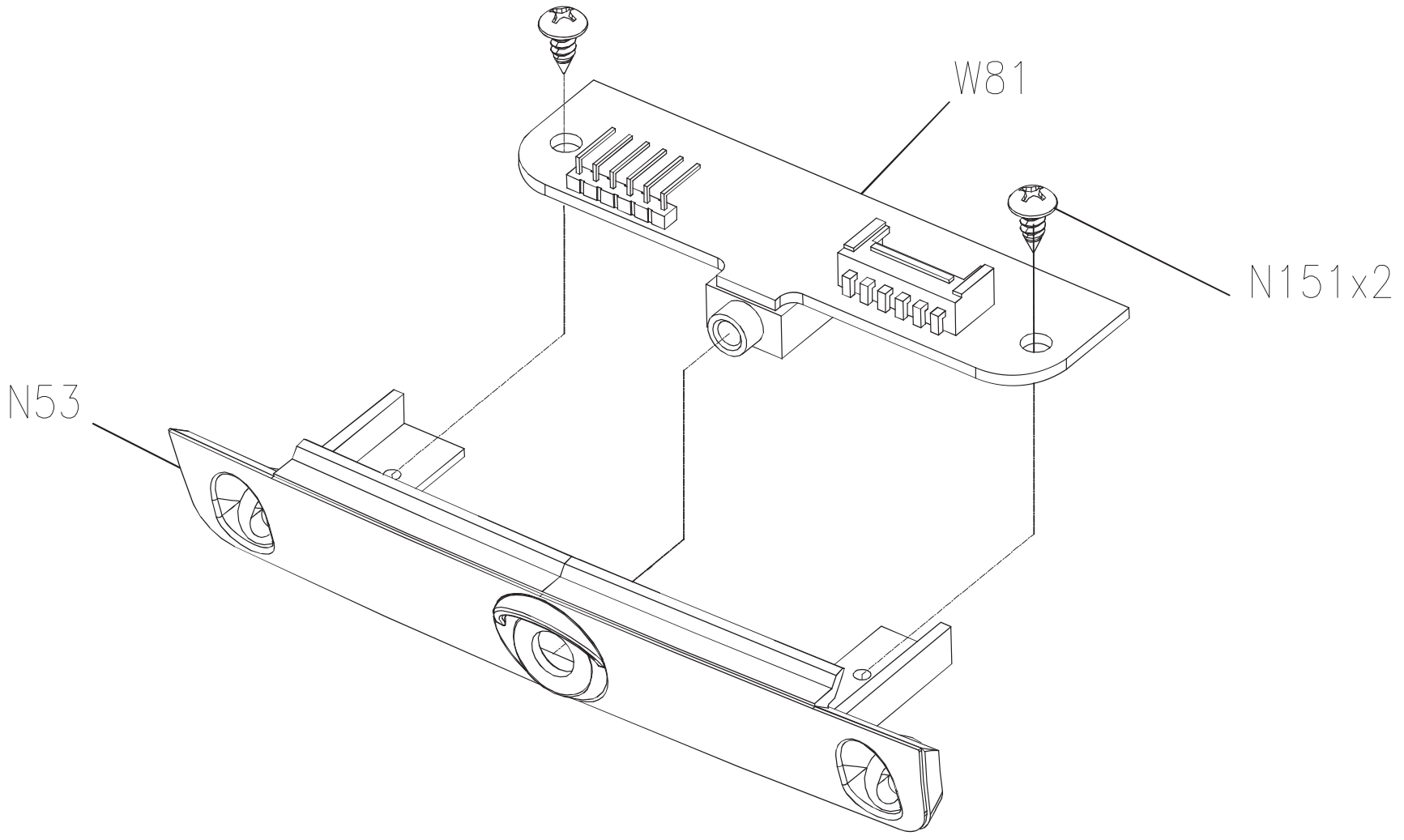


SAP PART NO
MEP1212-00
MEP1213-00

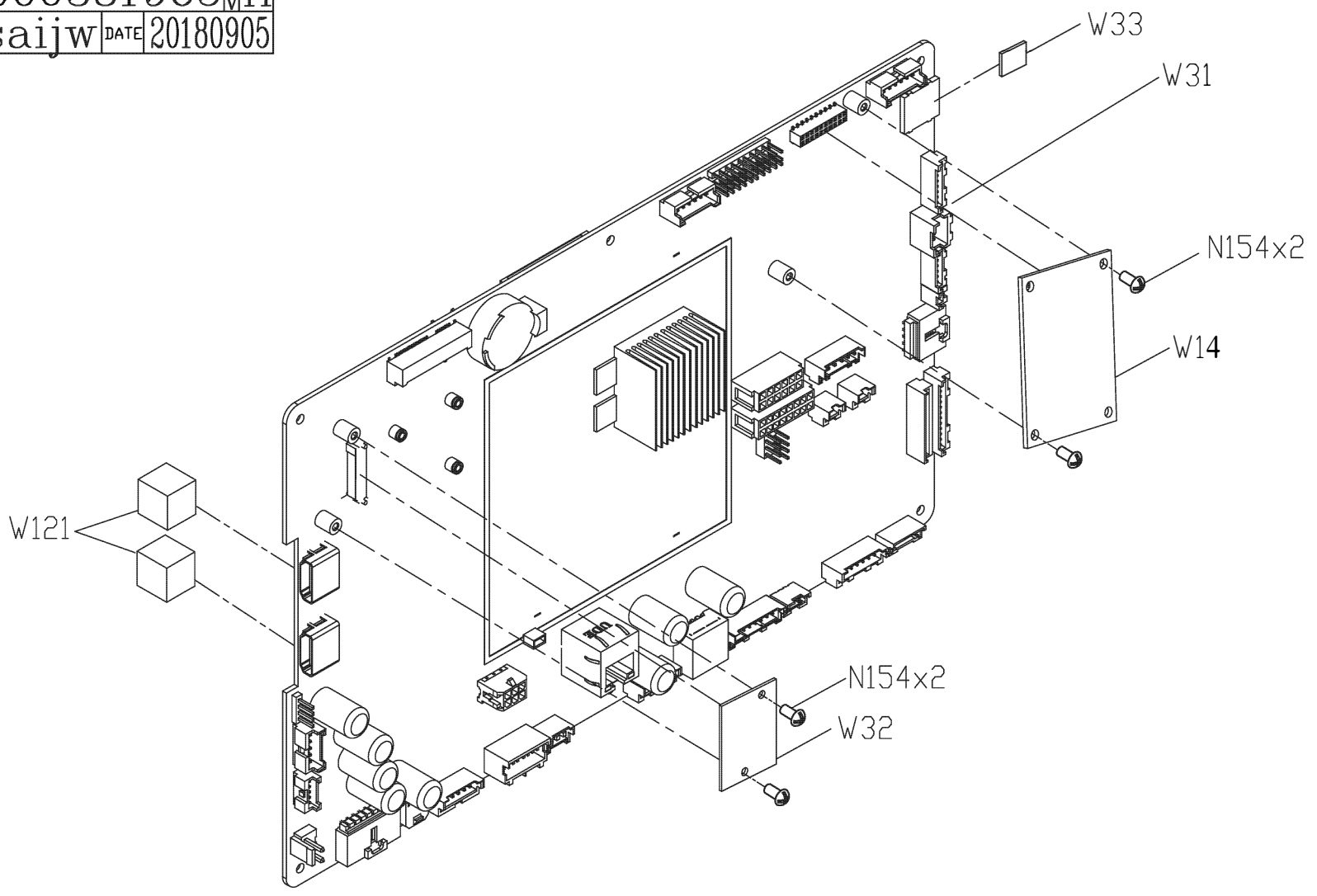
DRAWING NO	EP621-W93		
PART NAME	TFT-LCD module set;15.6 inch		
PART NO	1000356624 ^R _B		
APPROVE	Hsinyen	DATE	051316



DRAWING NO	EP620-AN31		
PART NAME	Earphone board set		
PART NO	1000366515  B		
APPROVE	Heady	DATE	2015.06.2



DRAWING NO	EP621B-AW31		
PART NAME	Control Board Set		
PART NO	1000381965 <small>REV</small> H		
APPROVE	tsaijw	DATE	20180905



DRAWING NO	EP620K-AW32
PART NAME	Control Board set ; Gymkit
PART NO	1000418737 <small>REV D</small>
APPROVE	Allen DATE 062018

