
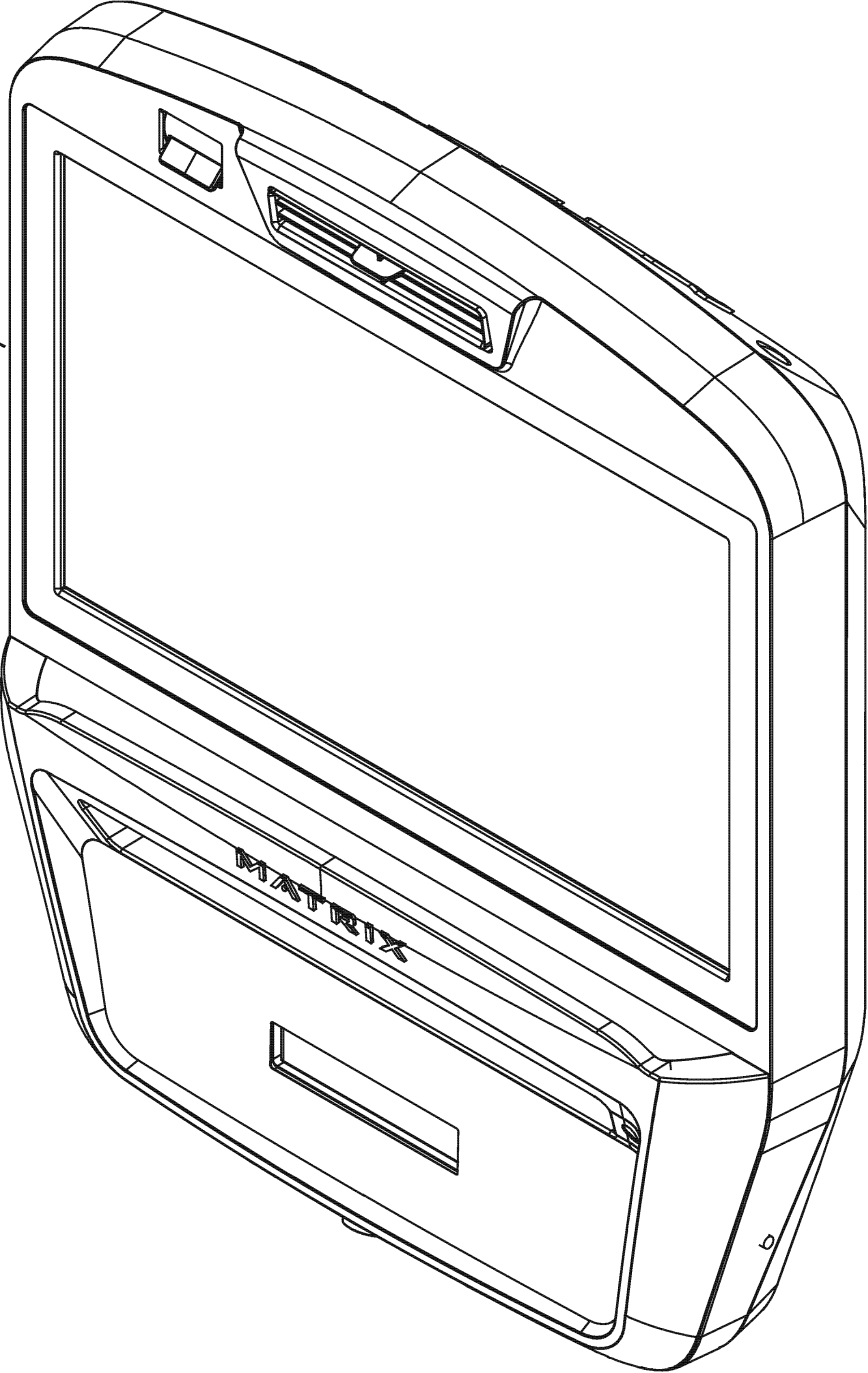


DRAWING NO	EP621E-A04		
PART NAME	ASSEMBLY VIEW		
PART NO	1000425407		A
APPROVE	Sunny	DATE	070518

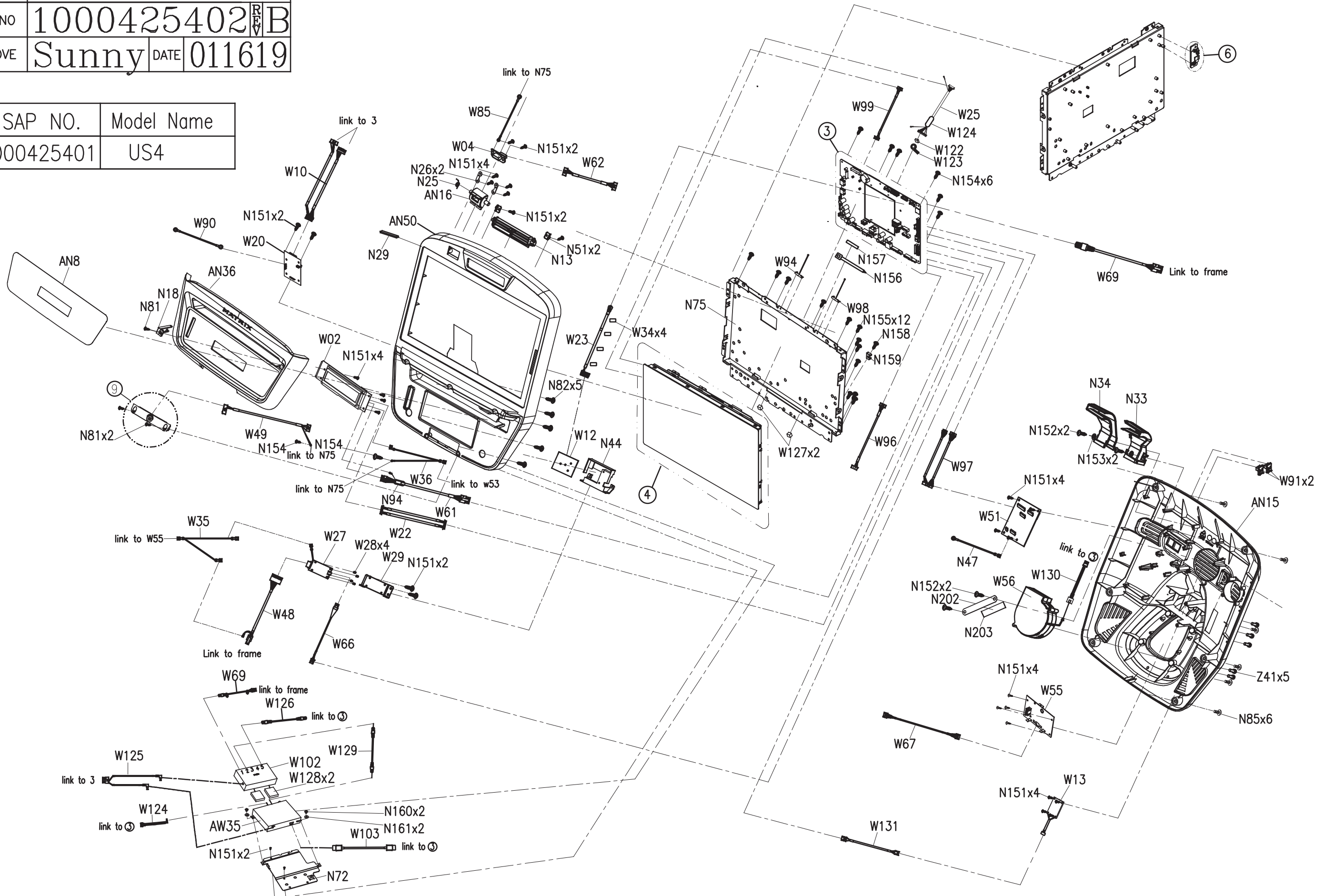
SAP PART NO
MEP1232-00

21

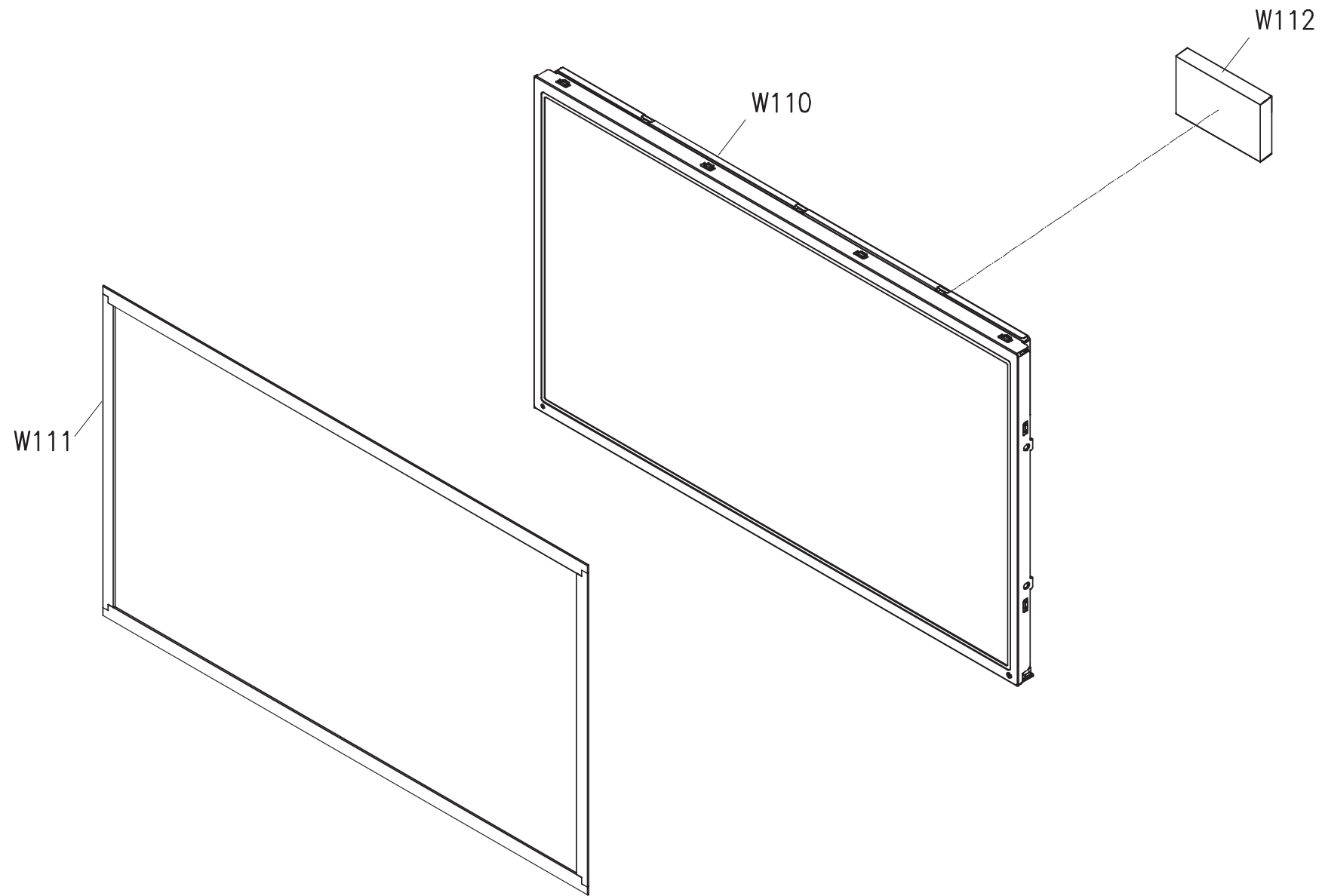


DRAWING NO	EP621E-AN51		
PART NAME	CONSOLE SET		
PART NO	1000425402REV B		
APPROVE	Sunny	DATE	011619

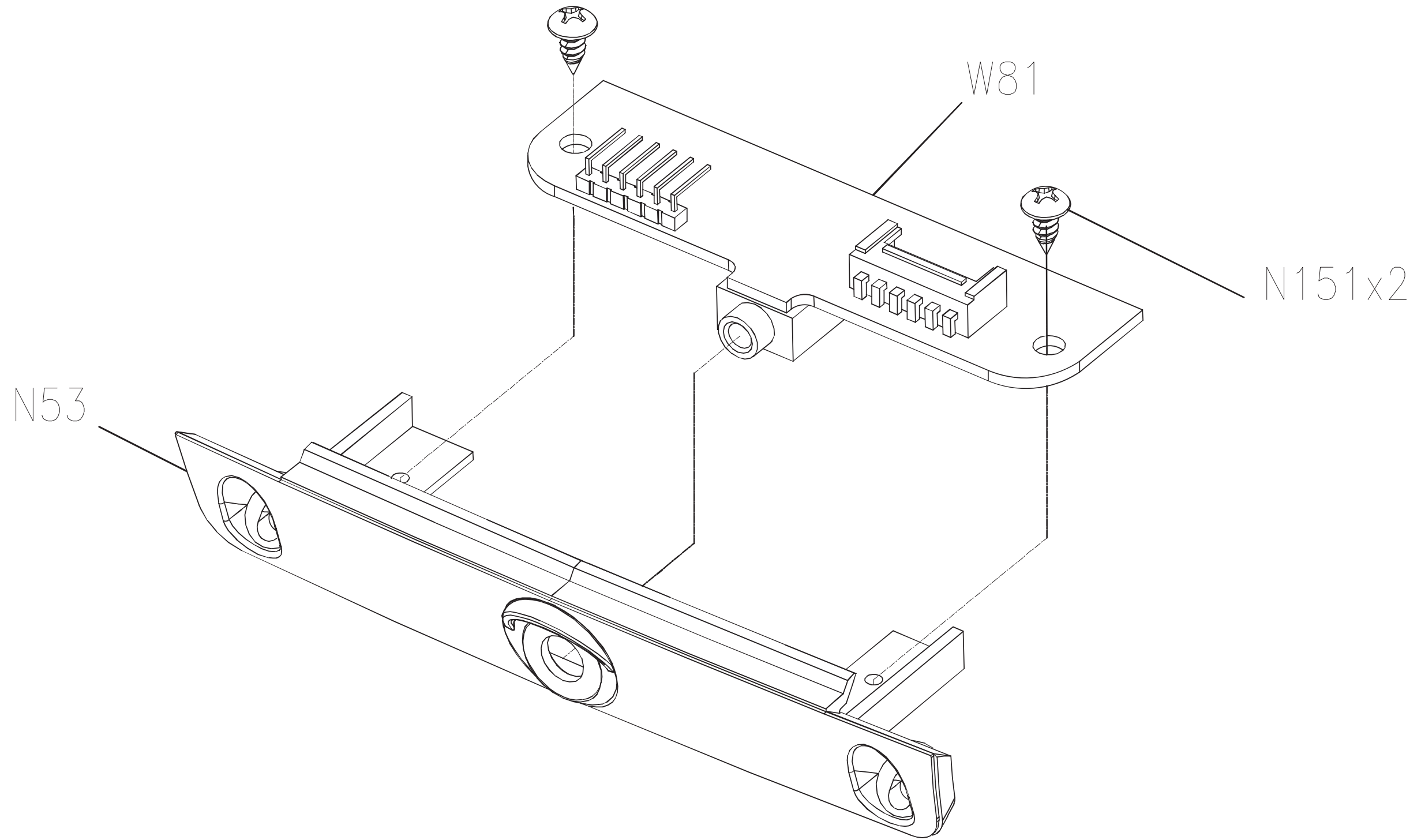
SAP NO.	Model Name
1000425401	US4



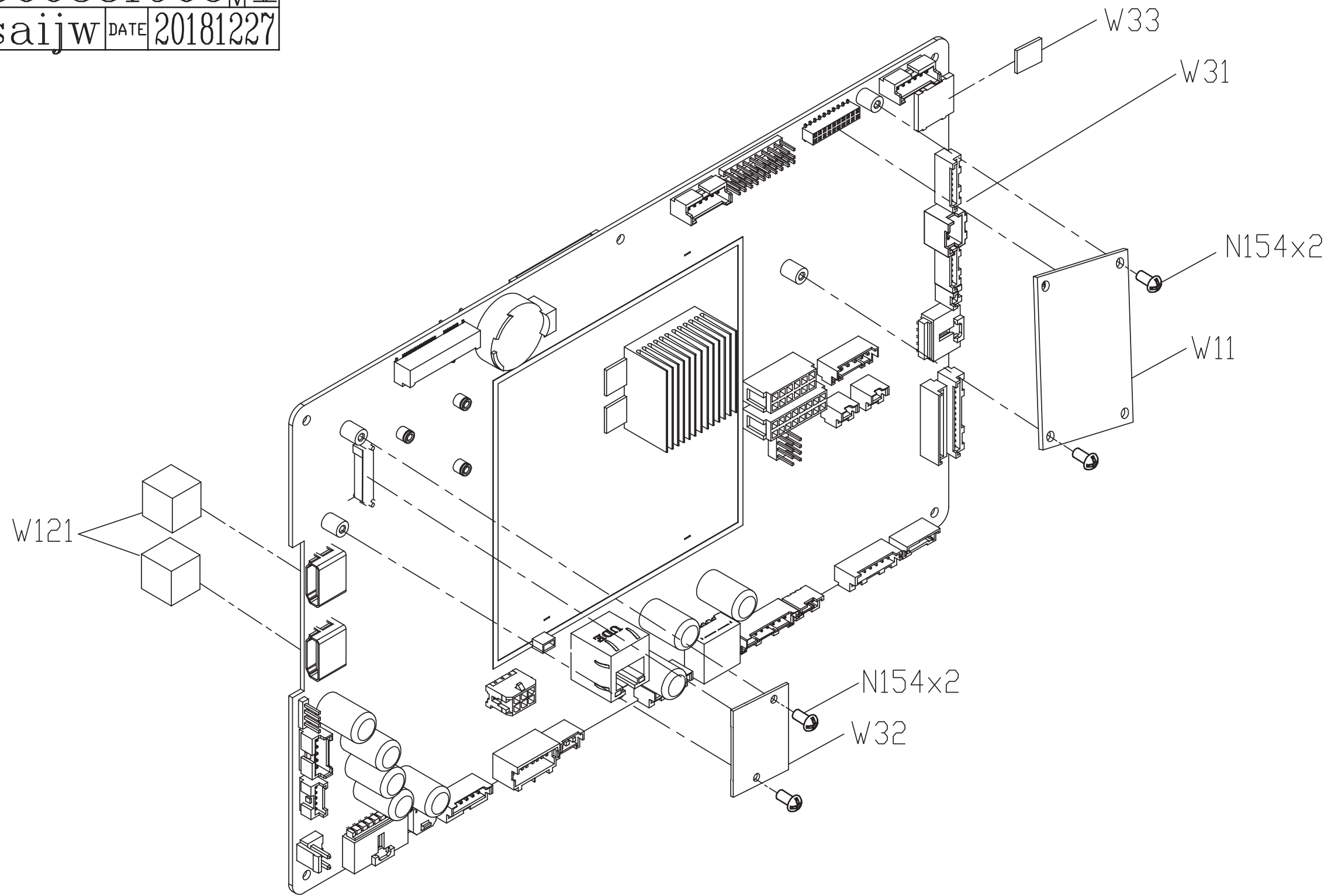
DRAWING NO	EP621-W93		
PART NAME	TFT-LCD module set;15.6 inch		
PART NO	1000356624	REV	B
APPROVE	Hsinyen	DATE	051316



DRAWING NO	EP620-AN31		
PART NAME	Earphone board set		
PART NO	1000366515 ^{REV} B		
APPROVE	Heady	DATE	2015.06.2



DRAWING NO	EP621B-AW31		
PART NAME	Control Board Set		
PART NO	1000381965	REV	I
APPROVE	tsaijw	DATE	20181227



DRAWING NO	EP620K-AW32		
PART NAME	Control Board set ; Gymkit		
PART NO	1000418737 ^{REV} D		
APPROVE	Allen	DATE	062018

