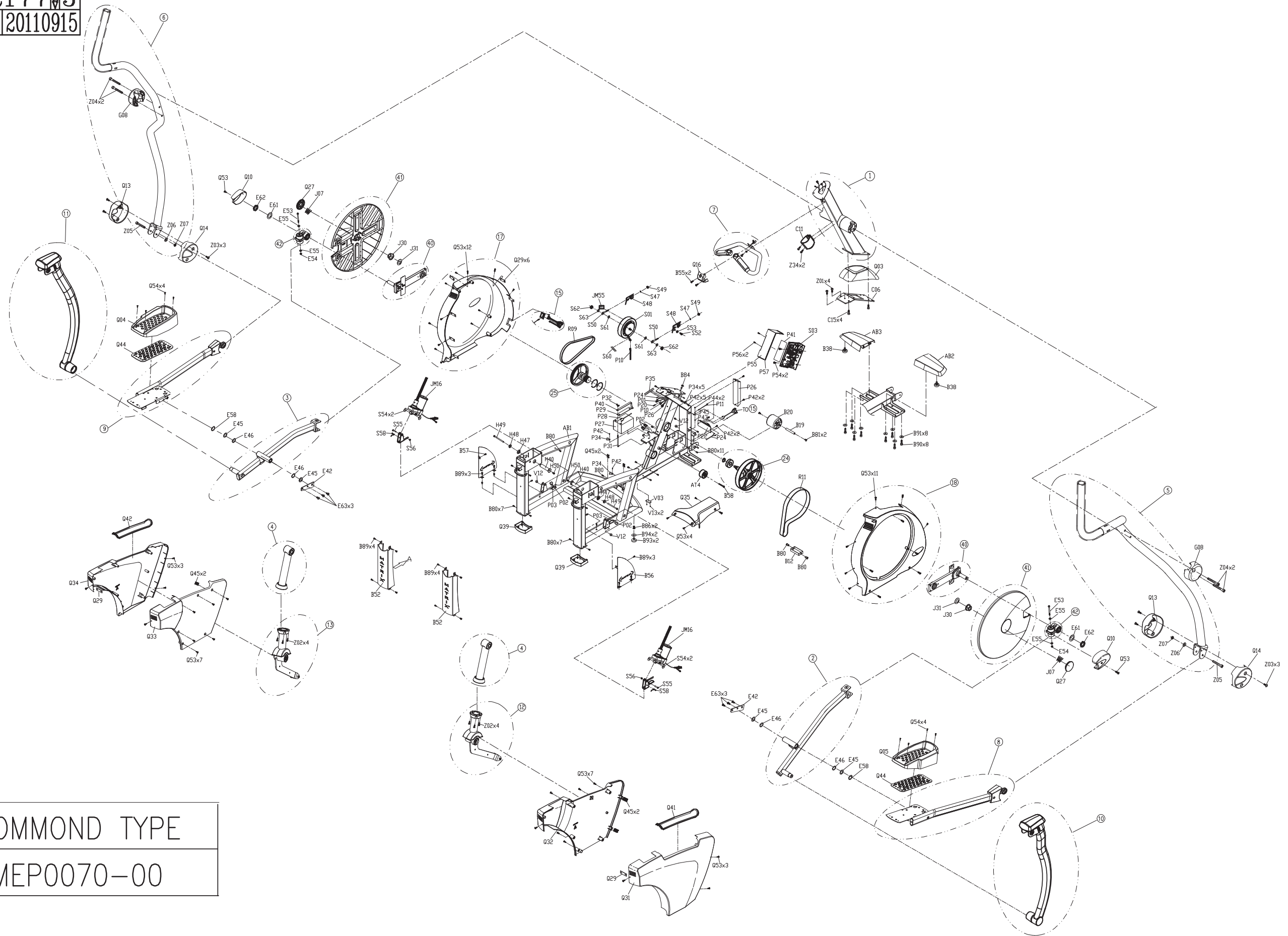
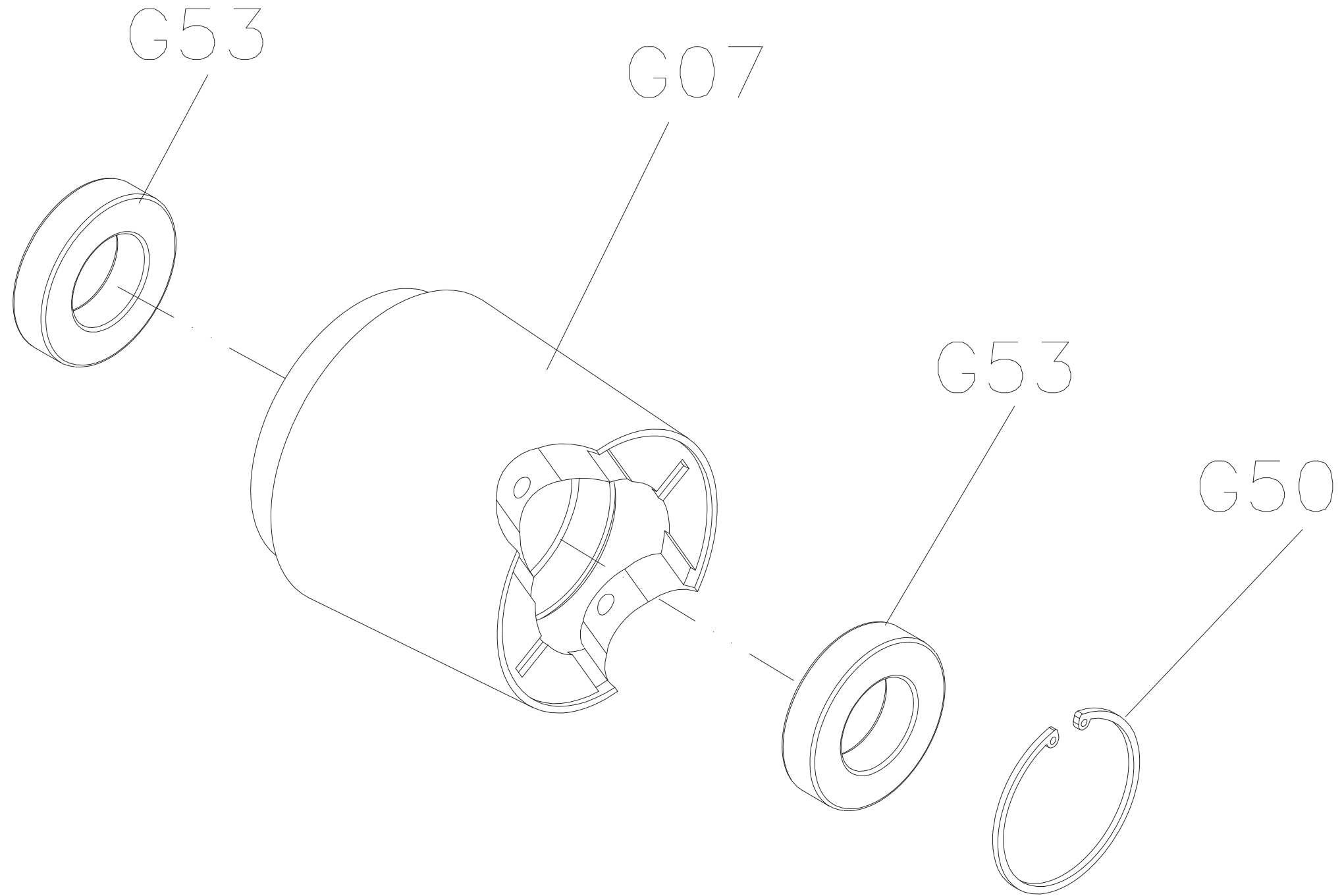


DRAWING NO	EP79-A04
PART NAME	PART EXPLODE DIAGRAM
PART NO	0000092177 J
APPROVE	Tsaijw DATE 20110915

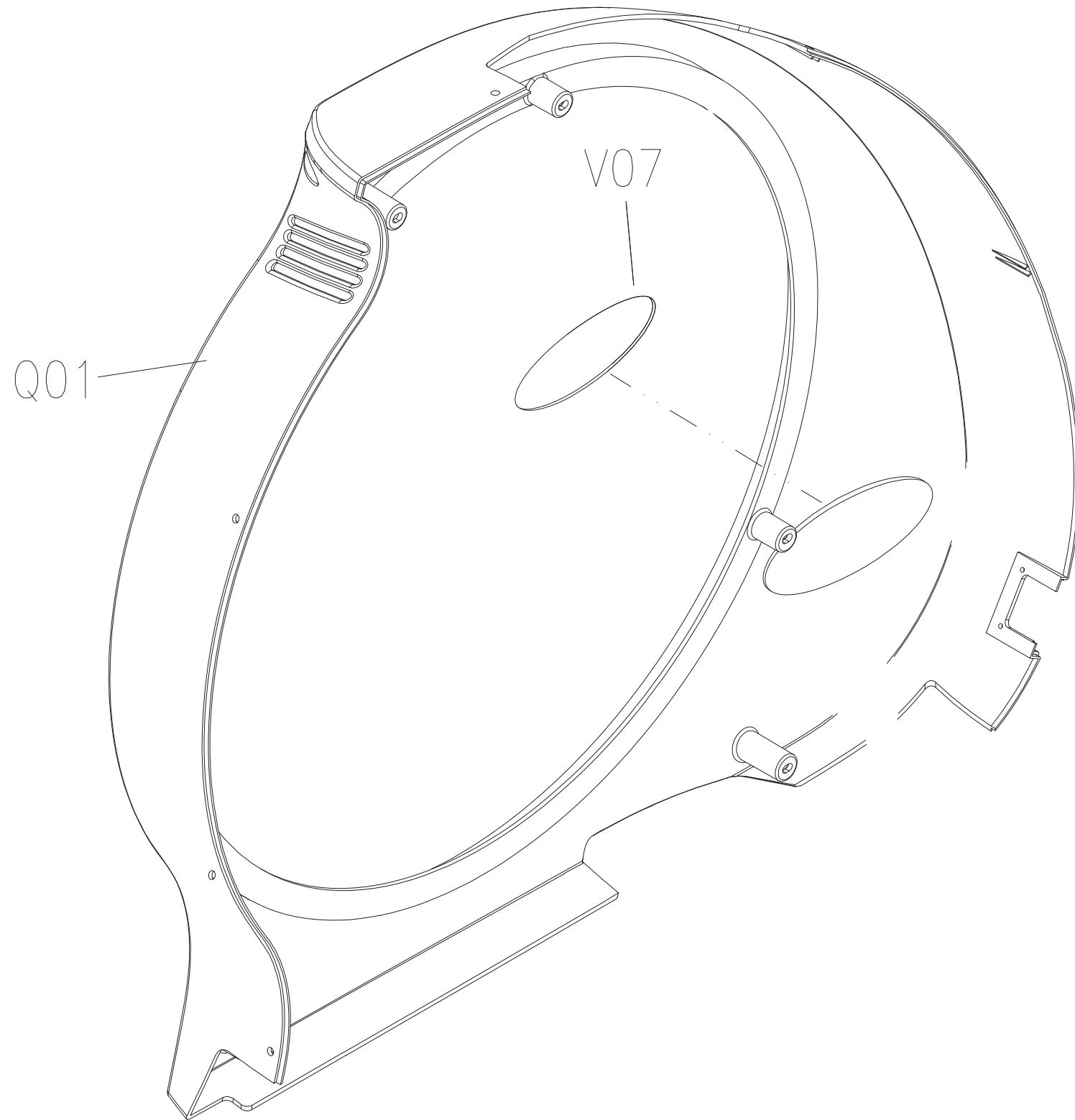


COMMOND TYPE
MEP0070-00

DRAWING NO	EP81-AG15		
PART NAME	ROTATION HOUSING ASSEMBLY SET		
PART NO	0000087749 ^R _B		
APPROVE	tsaijw	DATE	20101227

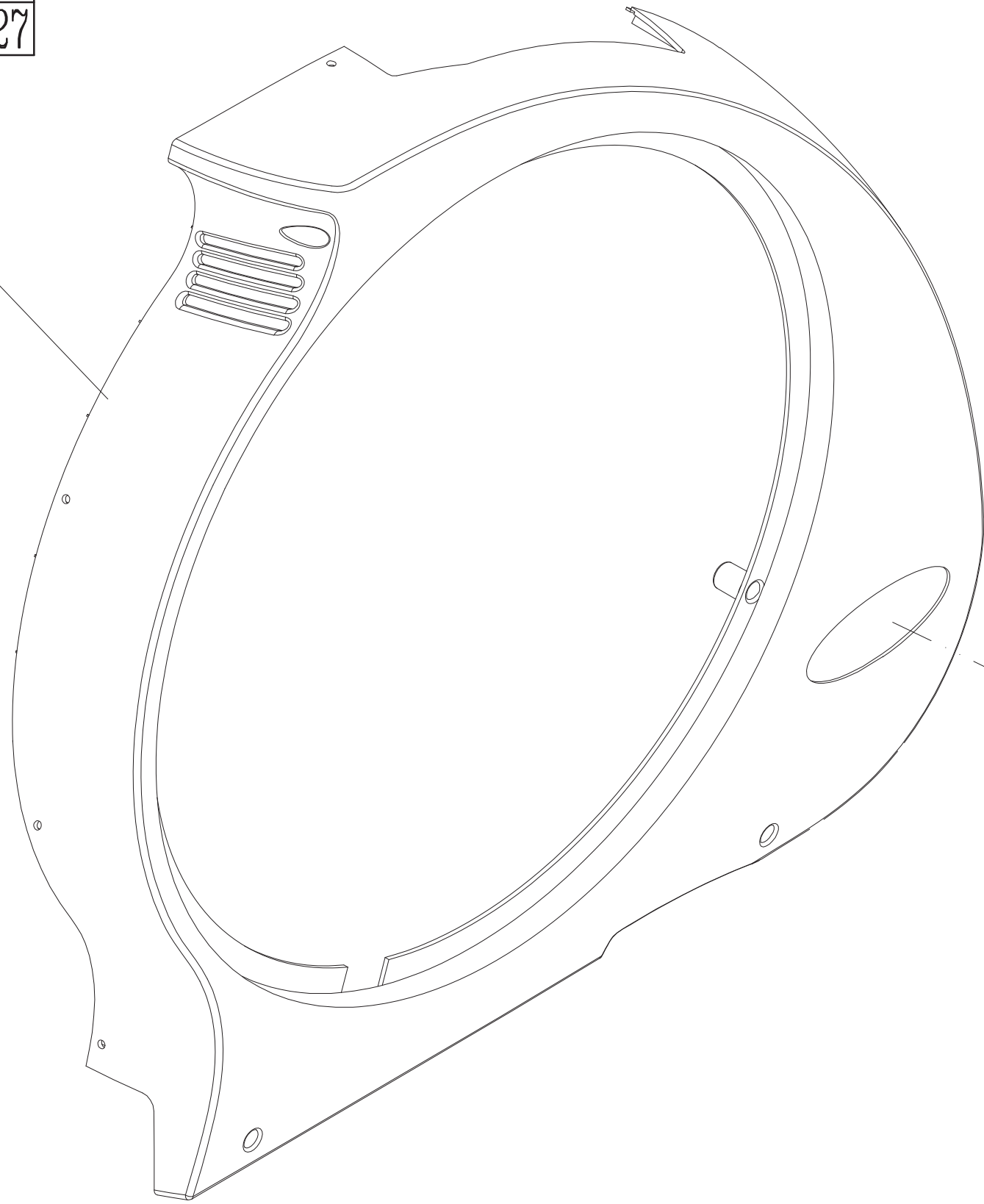


DRAWING NO	EP81-AQ1		
PART NAME	LEFT SIDE COVER SET		
PART NO	0000087828 ^R _D		
APPROVE	tsaijw	DATE	20101227

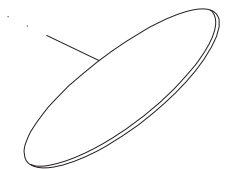


DRAWING NO	EP81-AQ2		
PART NAME	RIGHT SIDE COVER SET		
PART NO	0000087829 ^R _D		
APPROVE	tsaijw	DATE	20101227

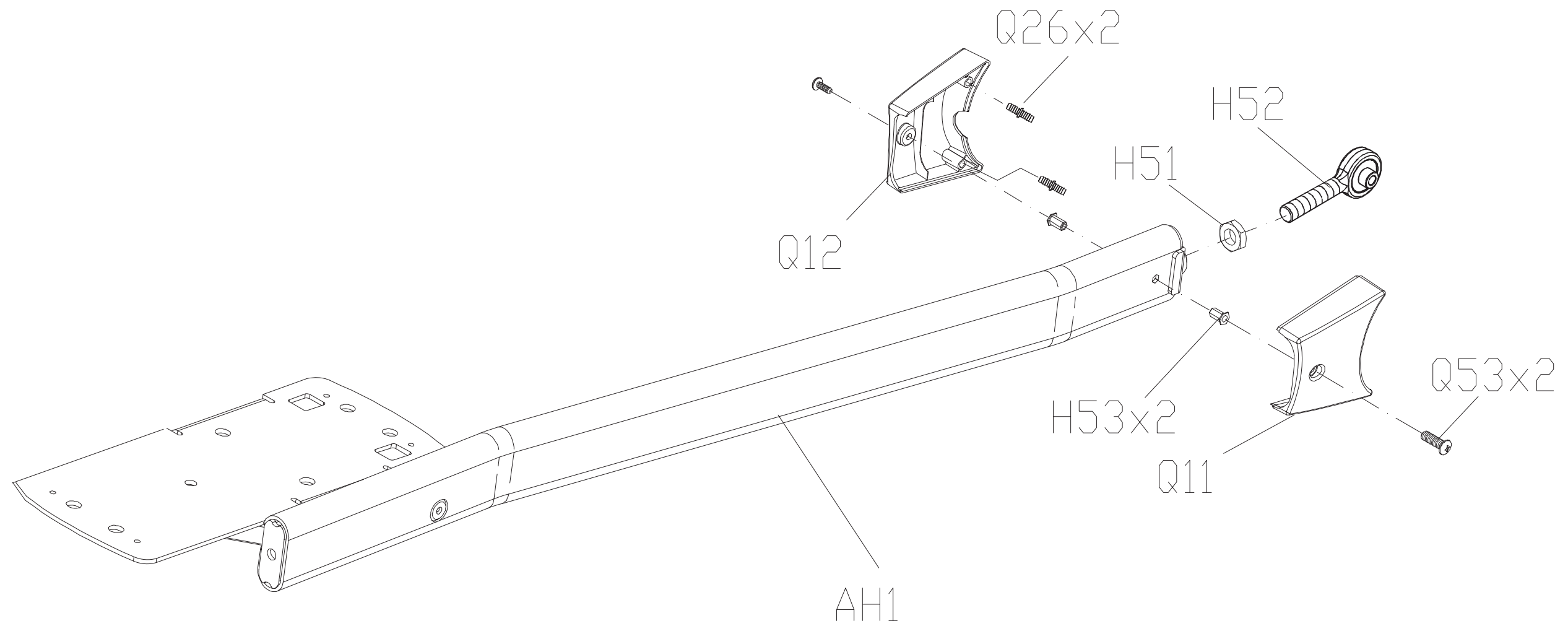
Q02



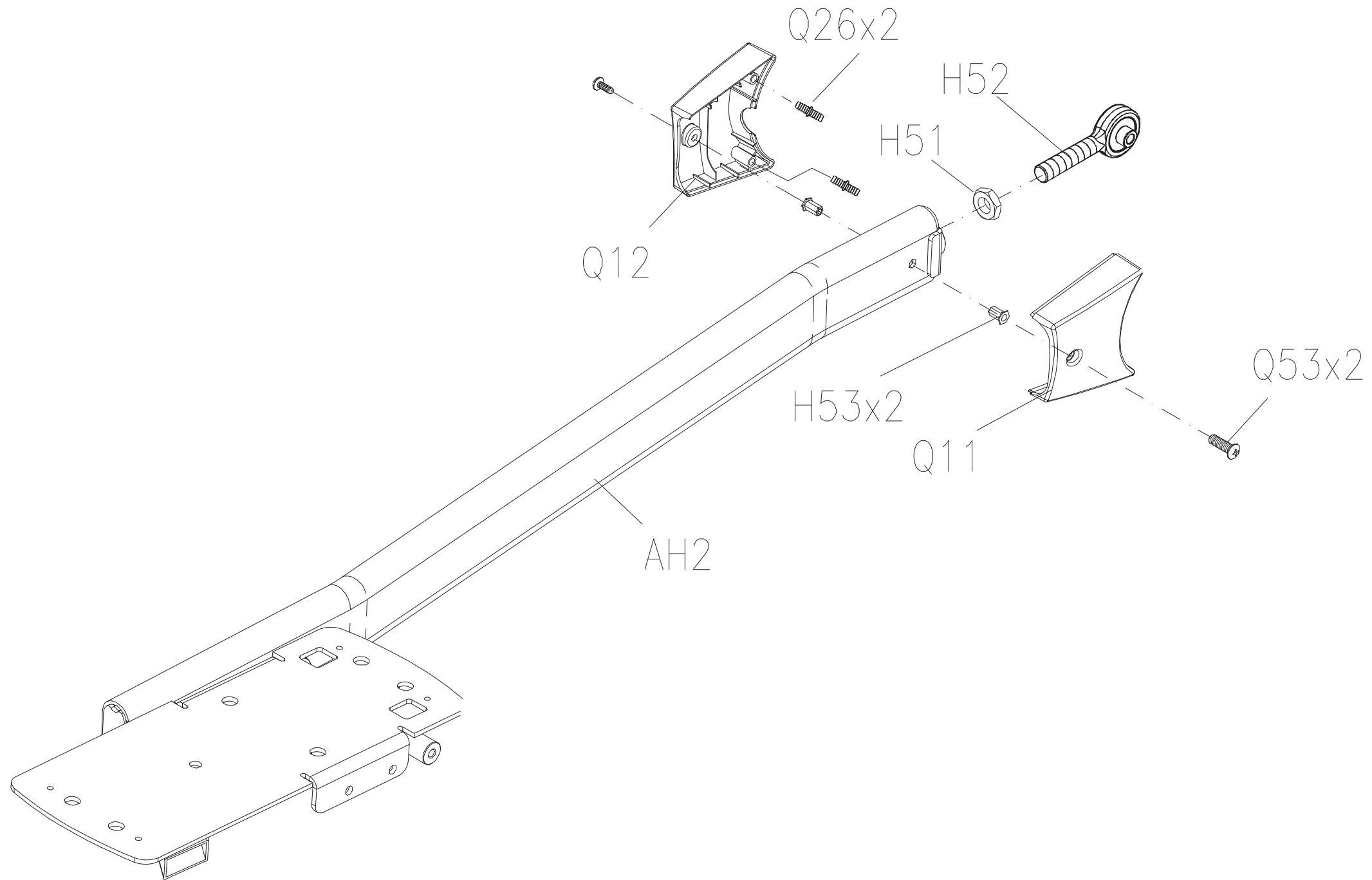
V07



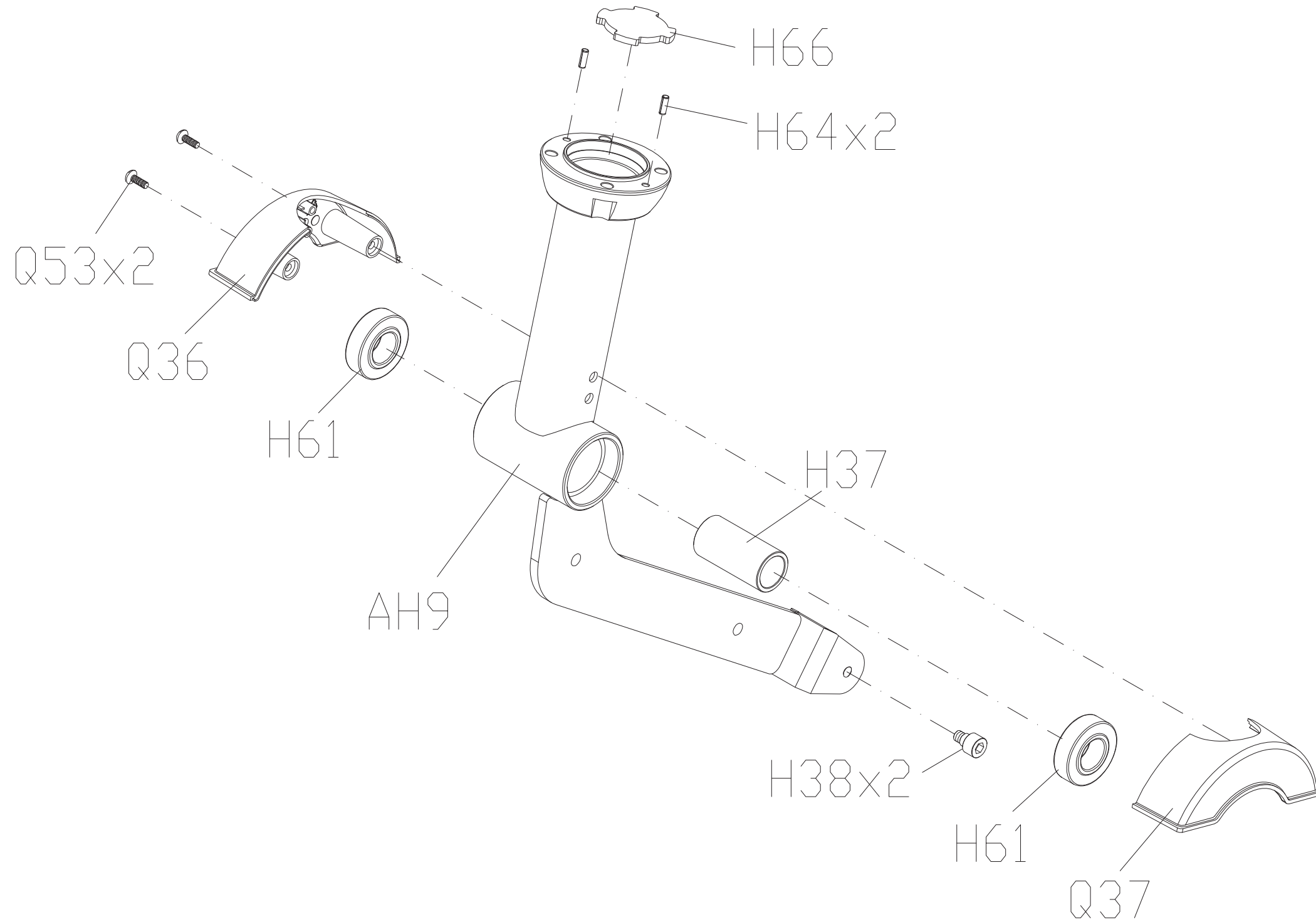
DRAWING NO	EP84-AH3		
PART NAME	RIGHT LOWER LINK ARM SET		
PART NO	0000088065 RE		
APPROVE	S.T.C	DATE	20110303



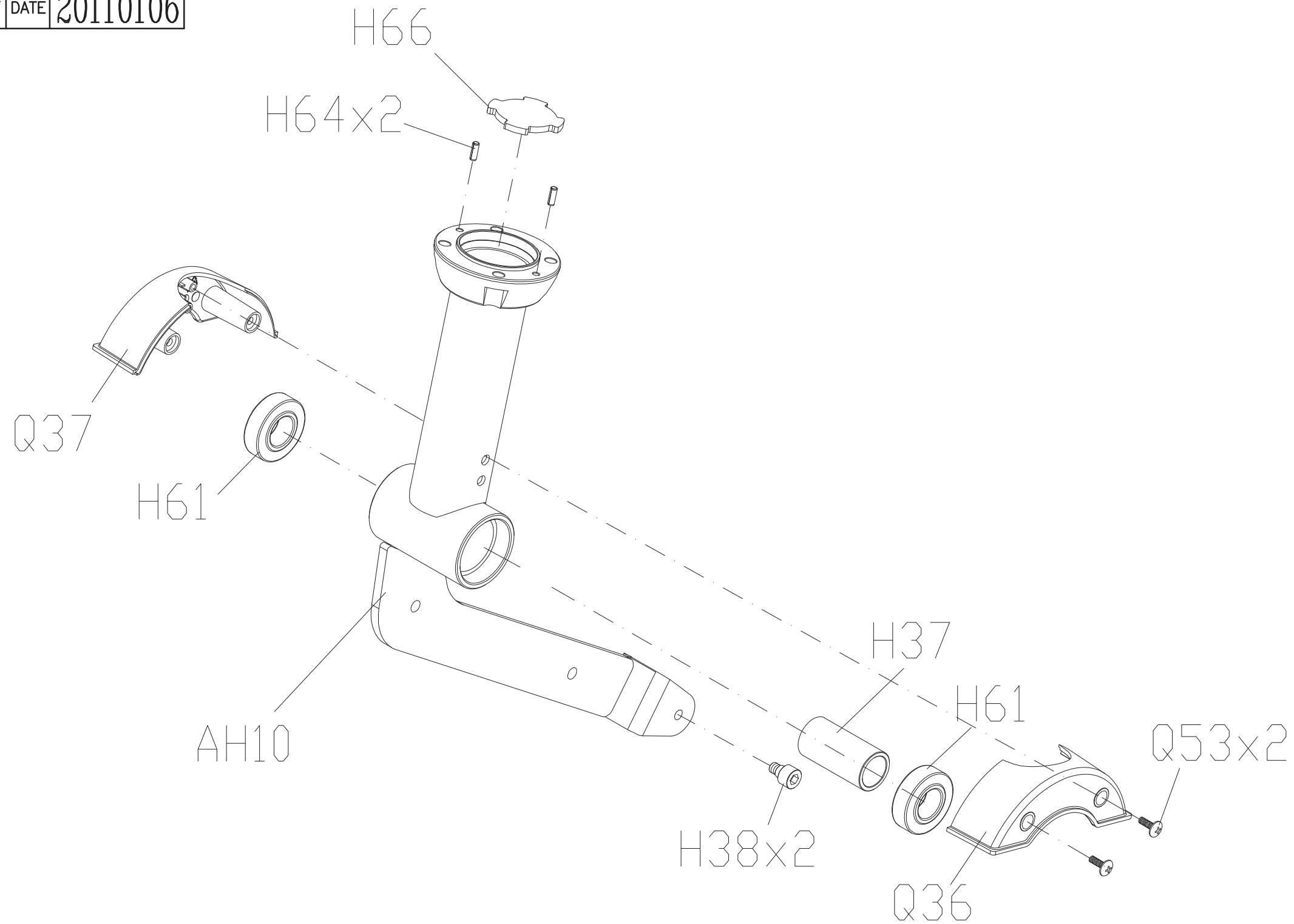
DRAWING NO	EP84-AH4		
PART NAME	LEFT LOWER LINK ARM SET		
PART NO	0000088066 R/D		
APPROVE	S.T.C	DATE	20110303



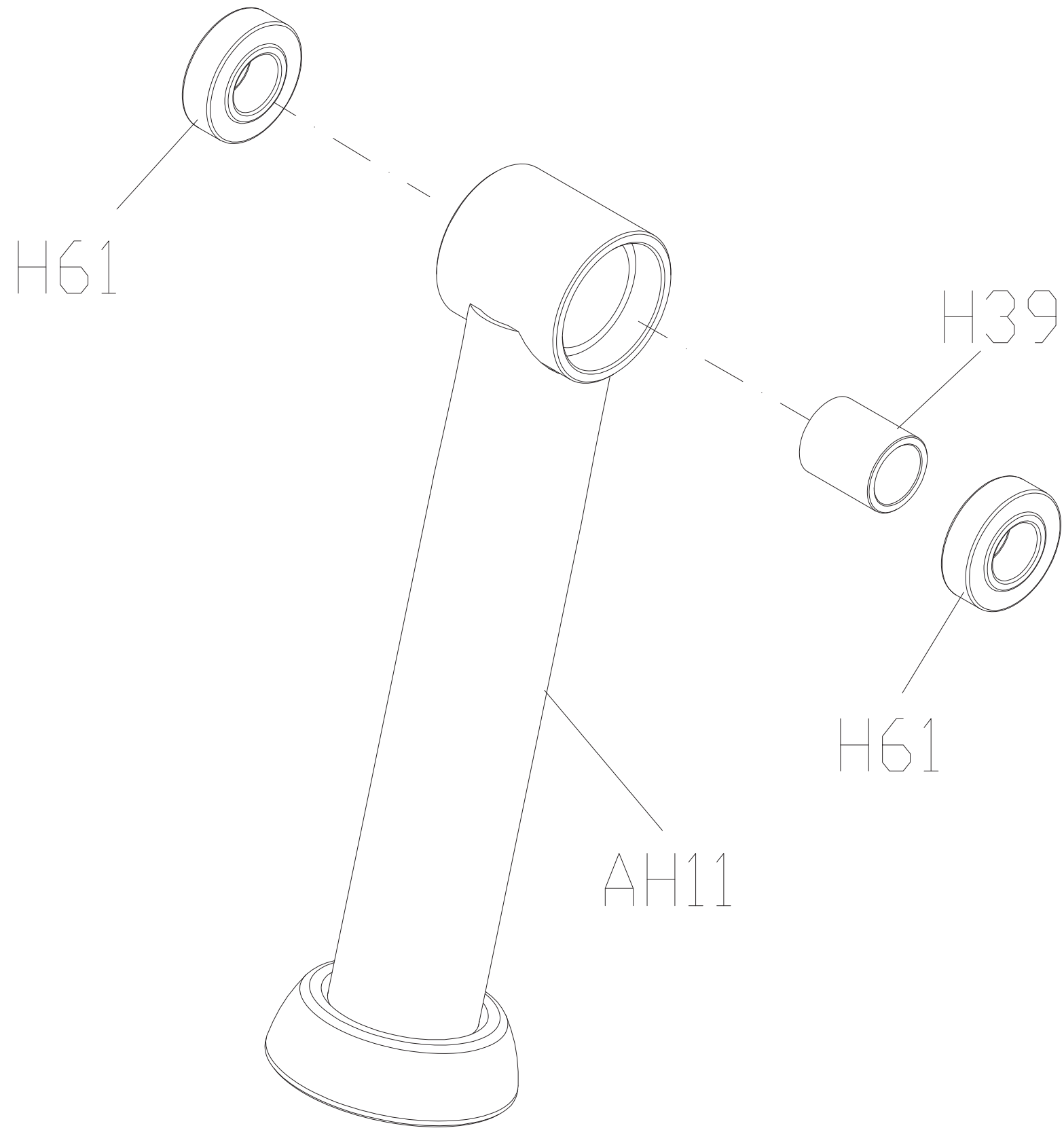
DRAWING NO	EP84-AH14		
PART NAME	RIGHT LOWER ADJUSTMENT ARM SET		
PART NO	0000088071 ^{REV} D		
APPROVE	tsaijw	DATE	20110117



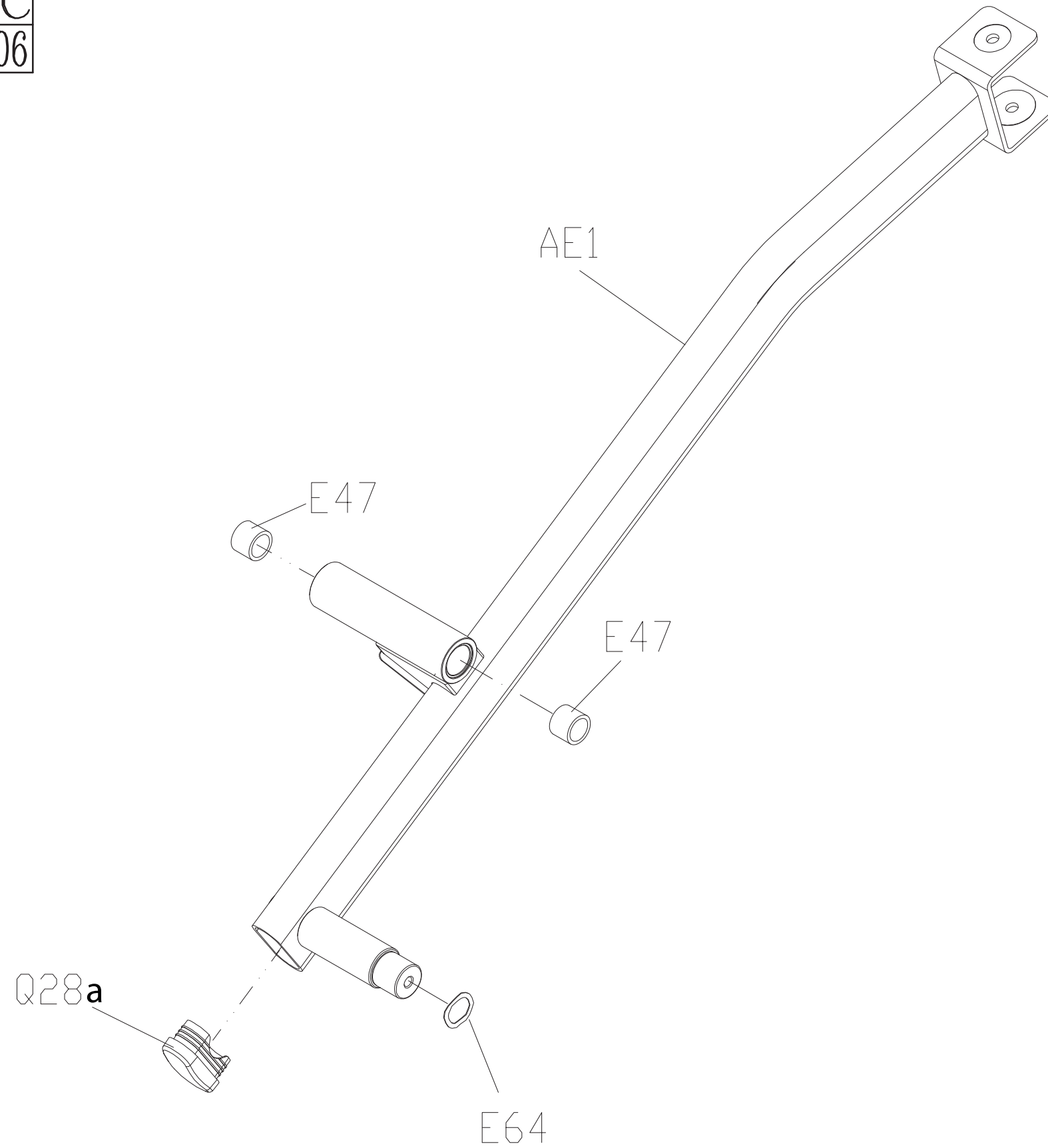
DRAWING NO	EP84-AH15		
PART NAME	LEFT LOWER ADJUSTMENT ARM SET		
PART NO	0000088072 ^R _D		
APPROVE	tsaijw	DATE	20110106



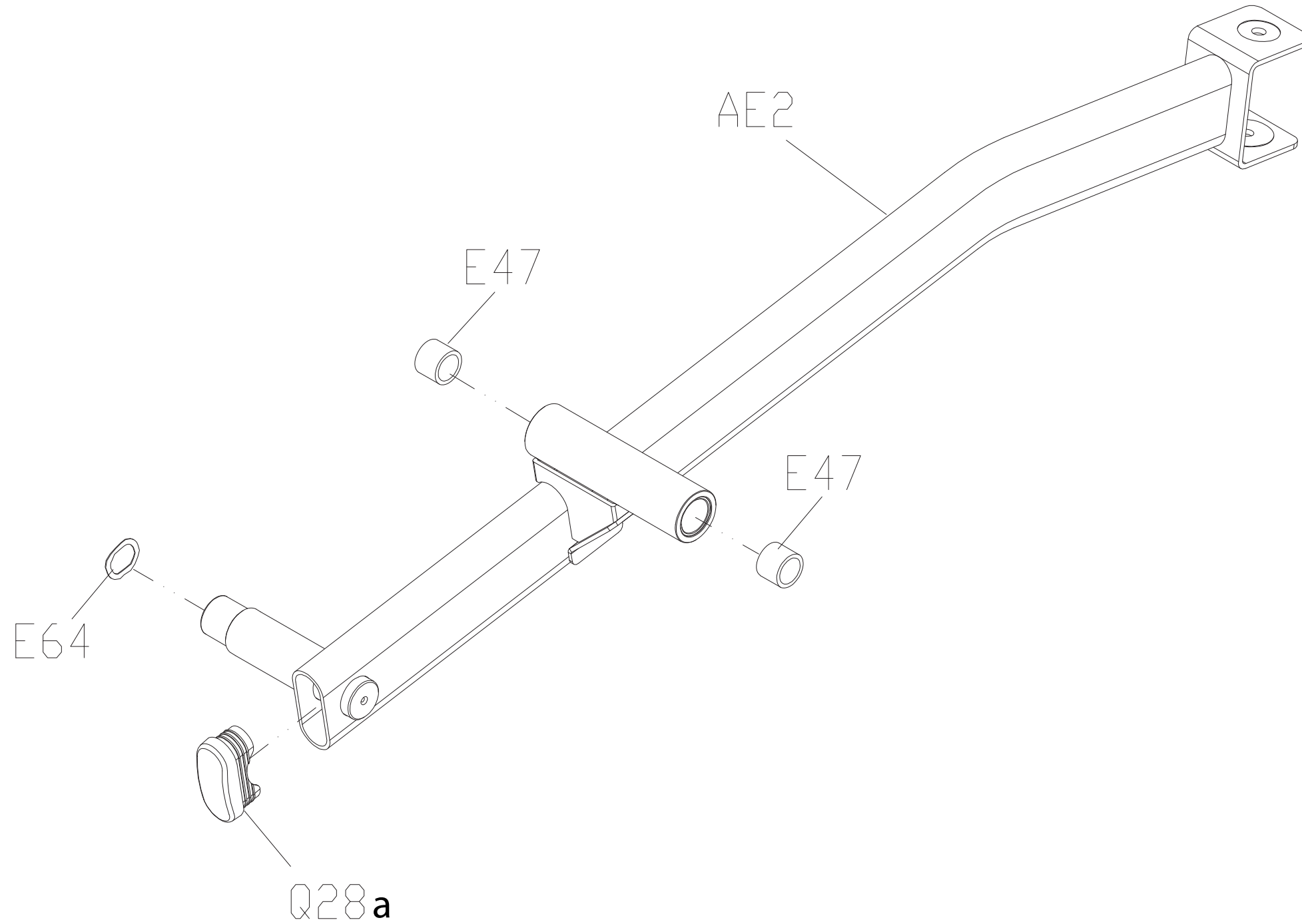
DRAWING NO	EP84-AH16		
PART NAME	UPPER ADJUSTMENT ARM SET		
PART NO	0000088073 ^R _D		
APPROVE	tsaijw	DATE	20110117



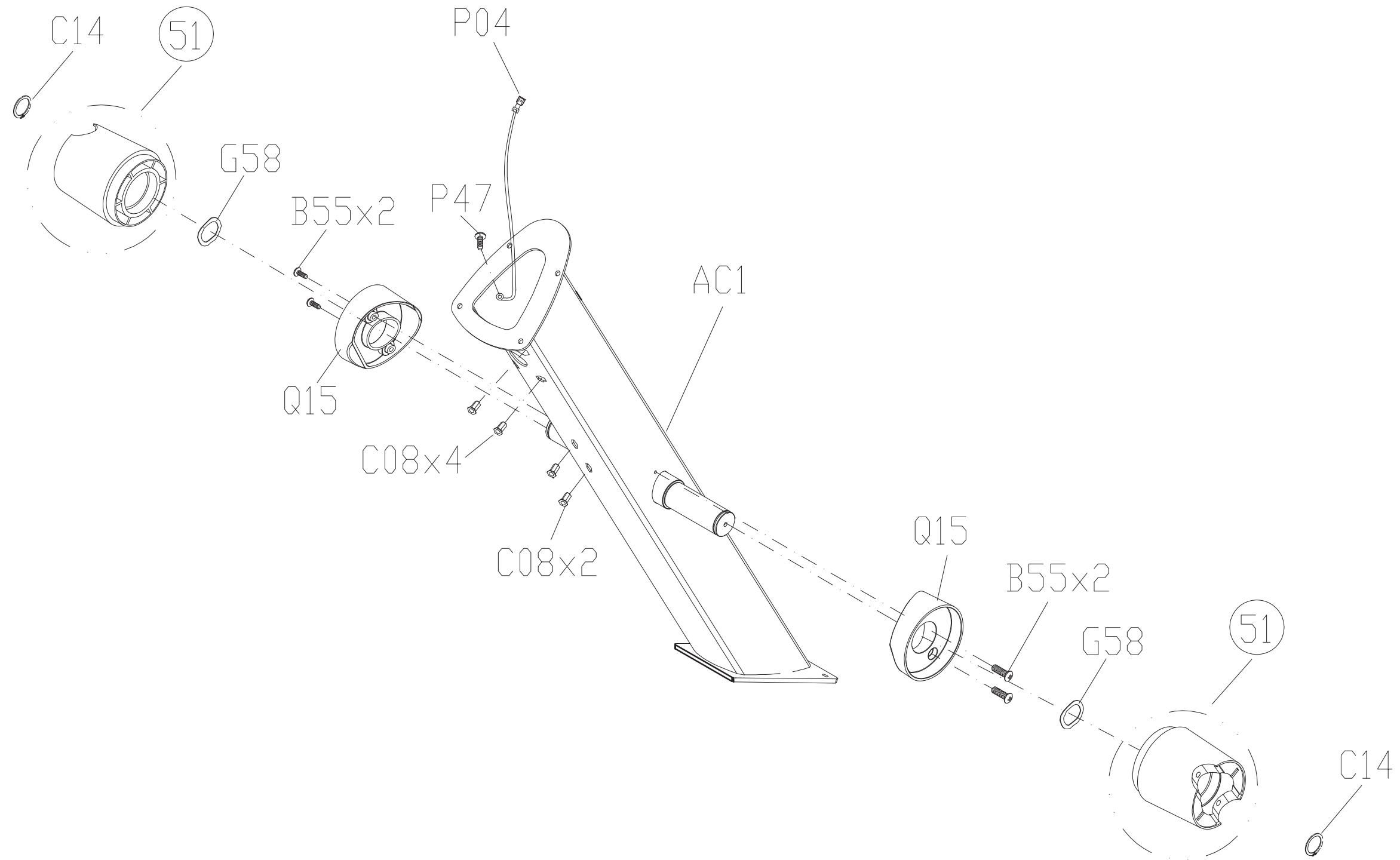
DRAWING NO	EP84-AE6		
PART NAME	RIGHT PEDAL ARM SET		
PART NO	0000088090 <small>REV</small> C		
APPROVE	tsaijw	DATE	20110106



DRAWING NO	EP84-AE7		
PART NAME	LEFT PEDAL ARM SET		
PART NO	0000088091 ^R _{REV} C		
APPROVE	tsaijw	DATE	20110106

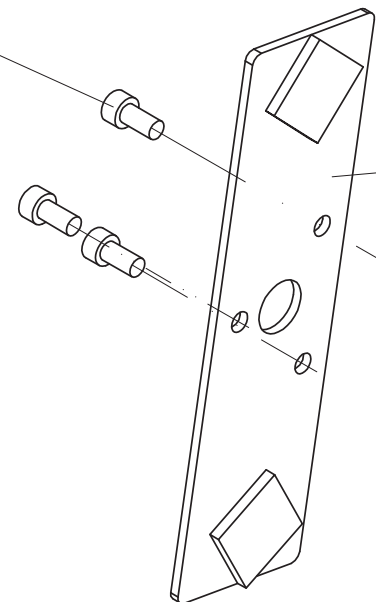


DRAWING NO	EP84-AC2		
PART NAME	CONSOLE MAST SET		
PART NO	0000090655 ^R _D		
APPROVE	tsaijw	DATE	20110117



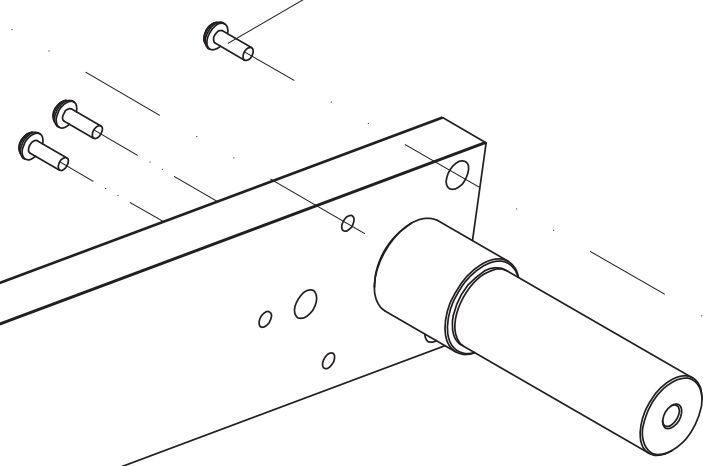
DRAWING NO	EP79-AJ11		
PART NAME	CRANK SET		
PART NO	0000092271 ^R _{REV} C		
APPROVE	tsaijw	DATE	20110103

J33x3



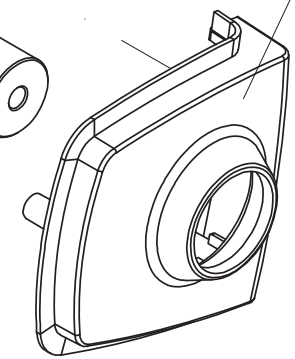
AJ5

J29ax3

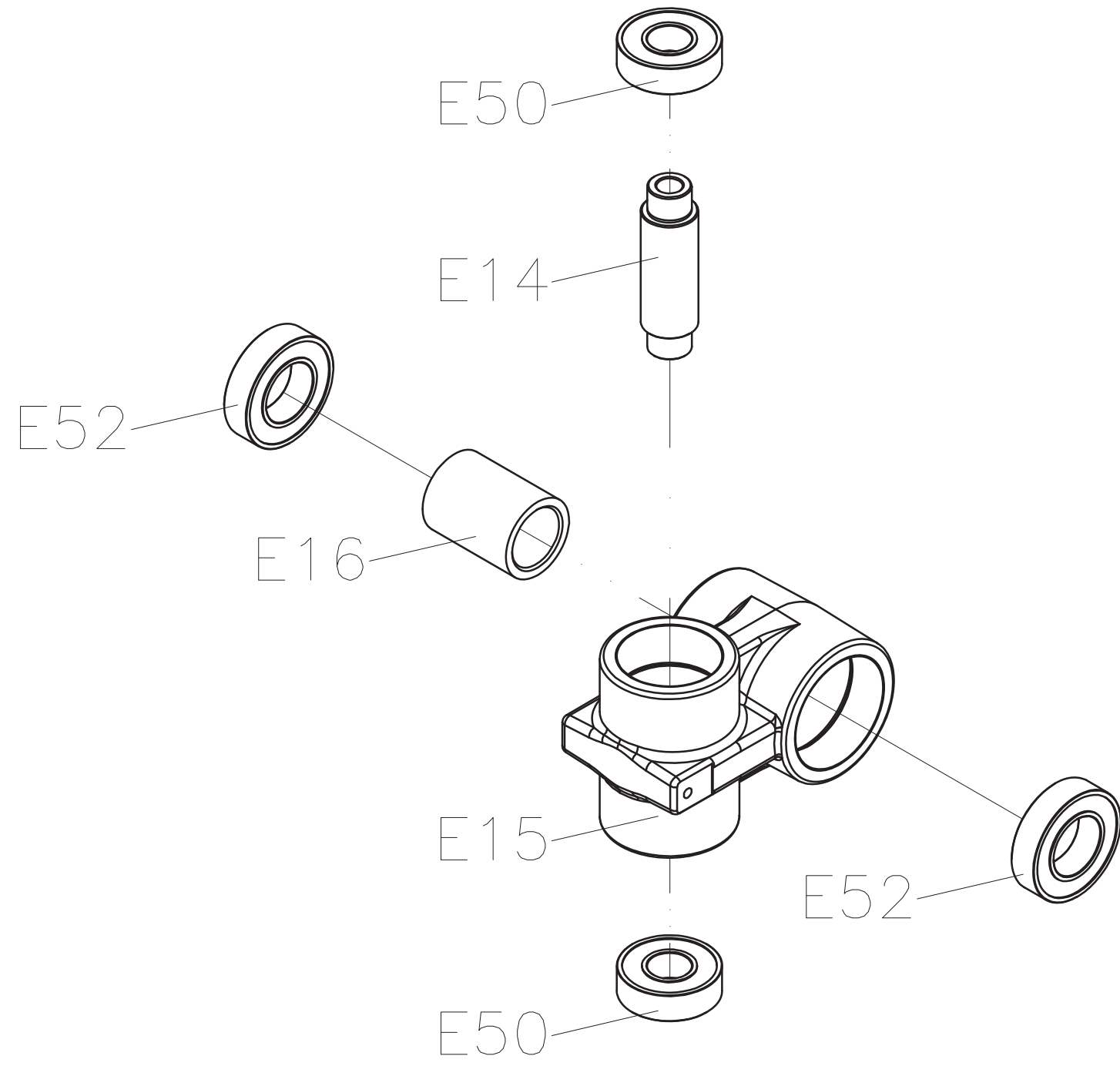


AJ4

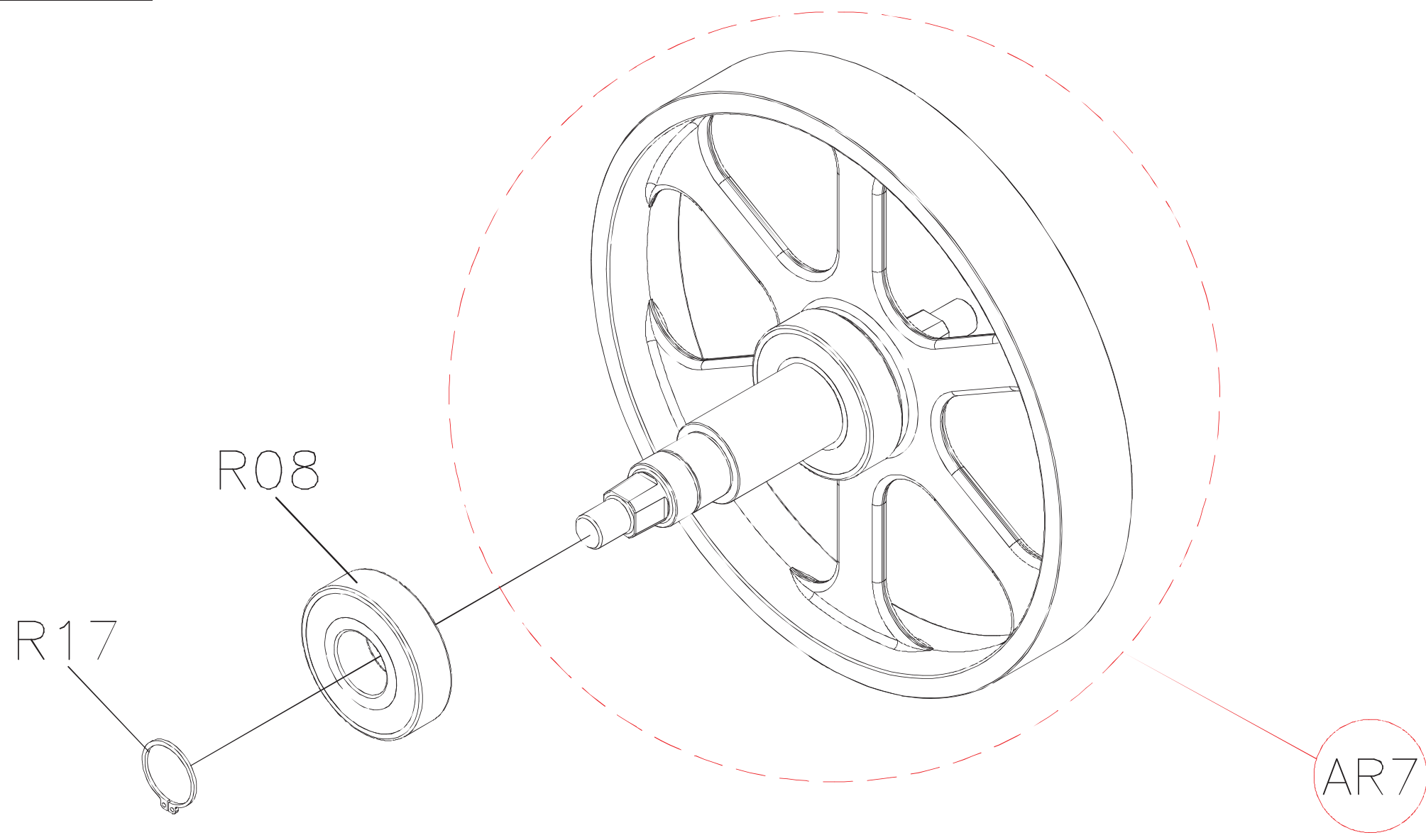
Q28b



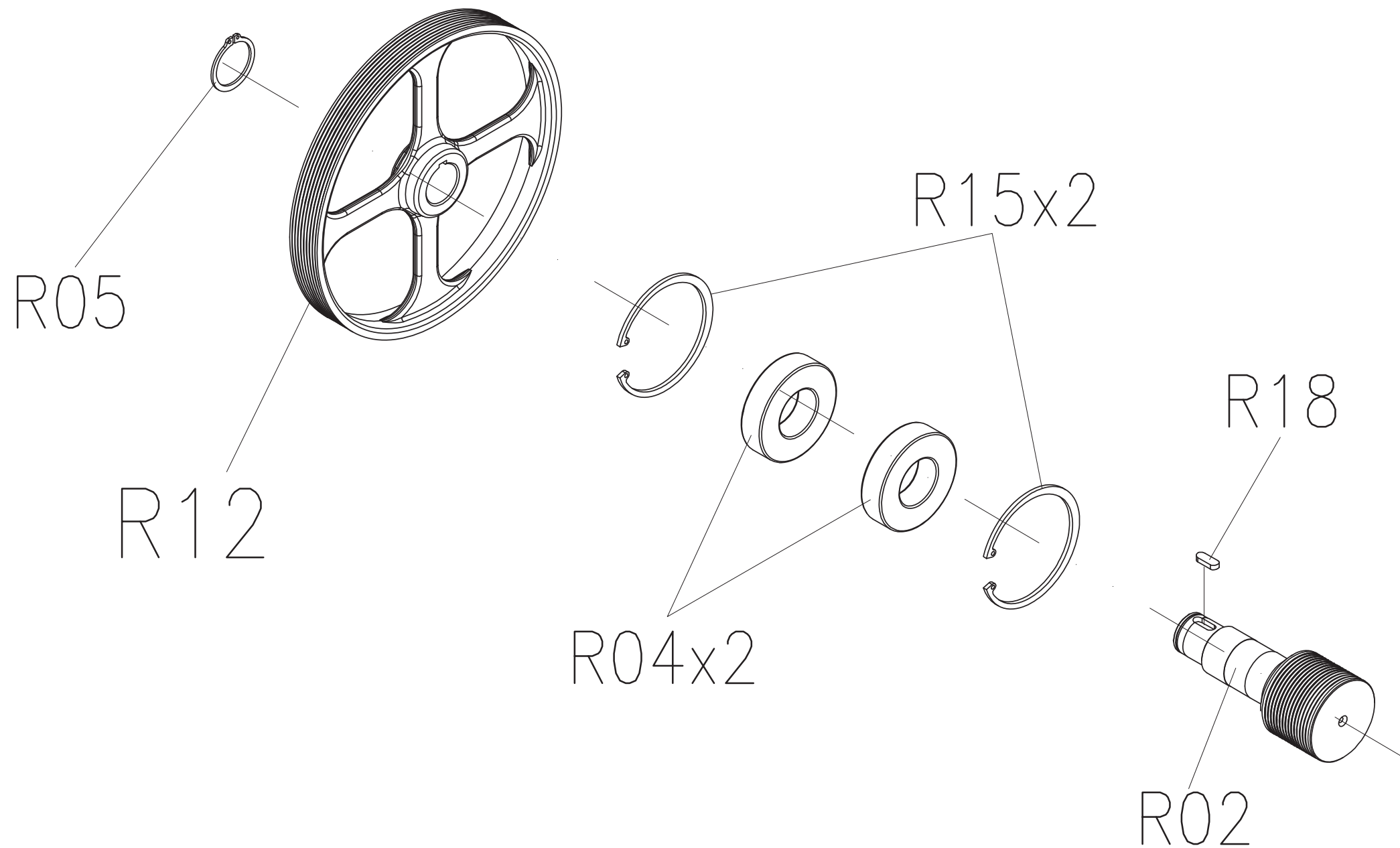
DRAWING NO	EP79-AE5		
PART NAME	CRANK PIN SLEEVE SET		
PART NO	0000092274 ^R _V C		
APPROVE	S.T.C	DATE	112511



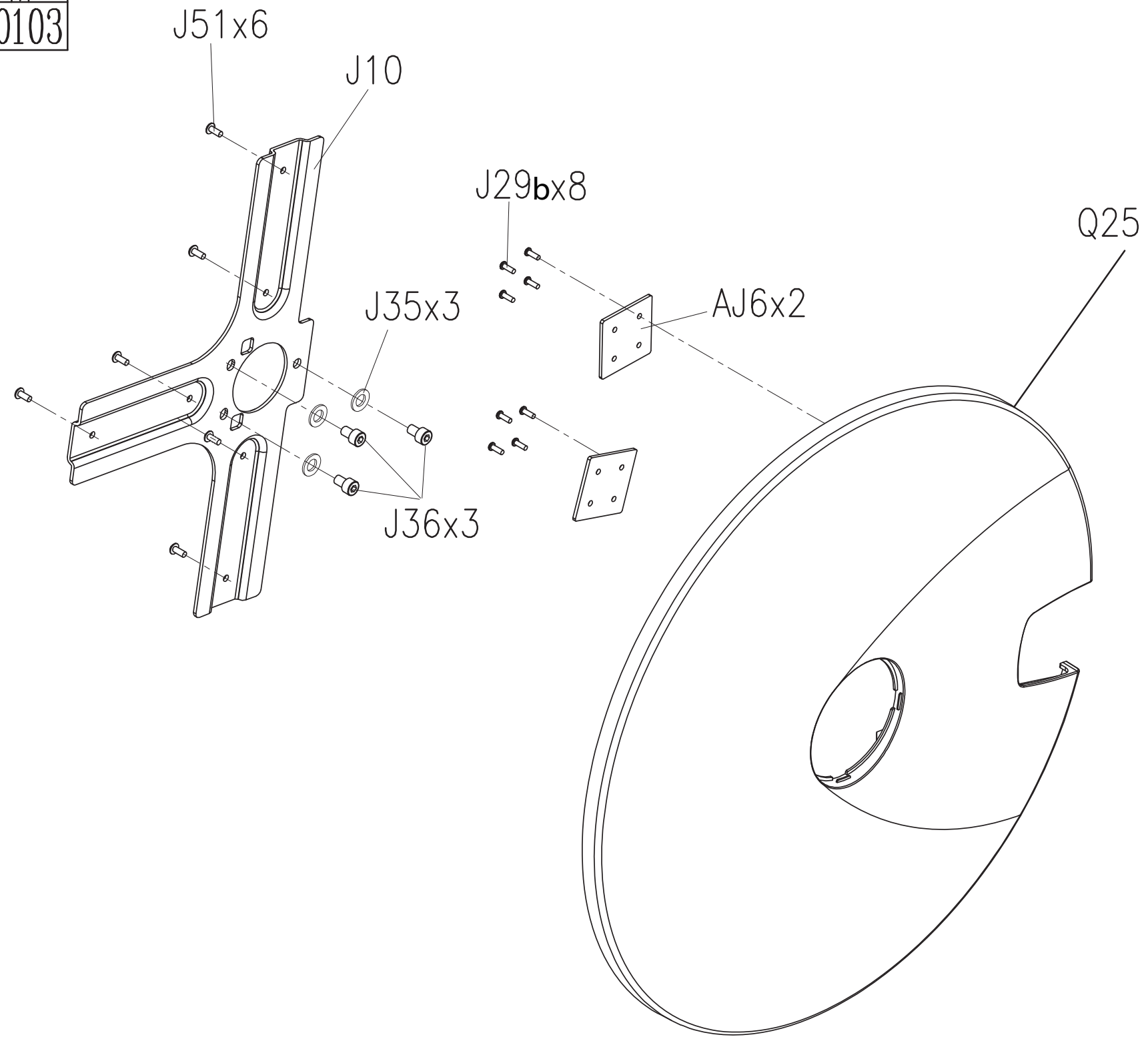
DRAWING NO	EP79-AR5		
PART NAME	DRIVE AXLE SET		
PART NO	0000092276	REV	B
APPROVE	S.T.C	DATE	20160217



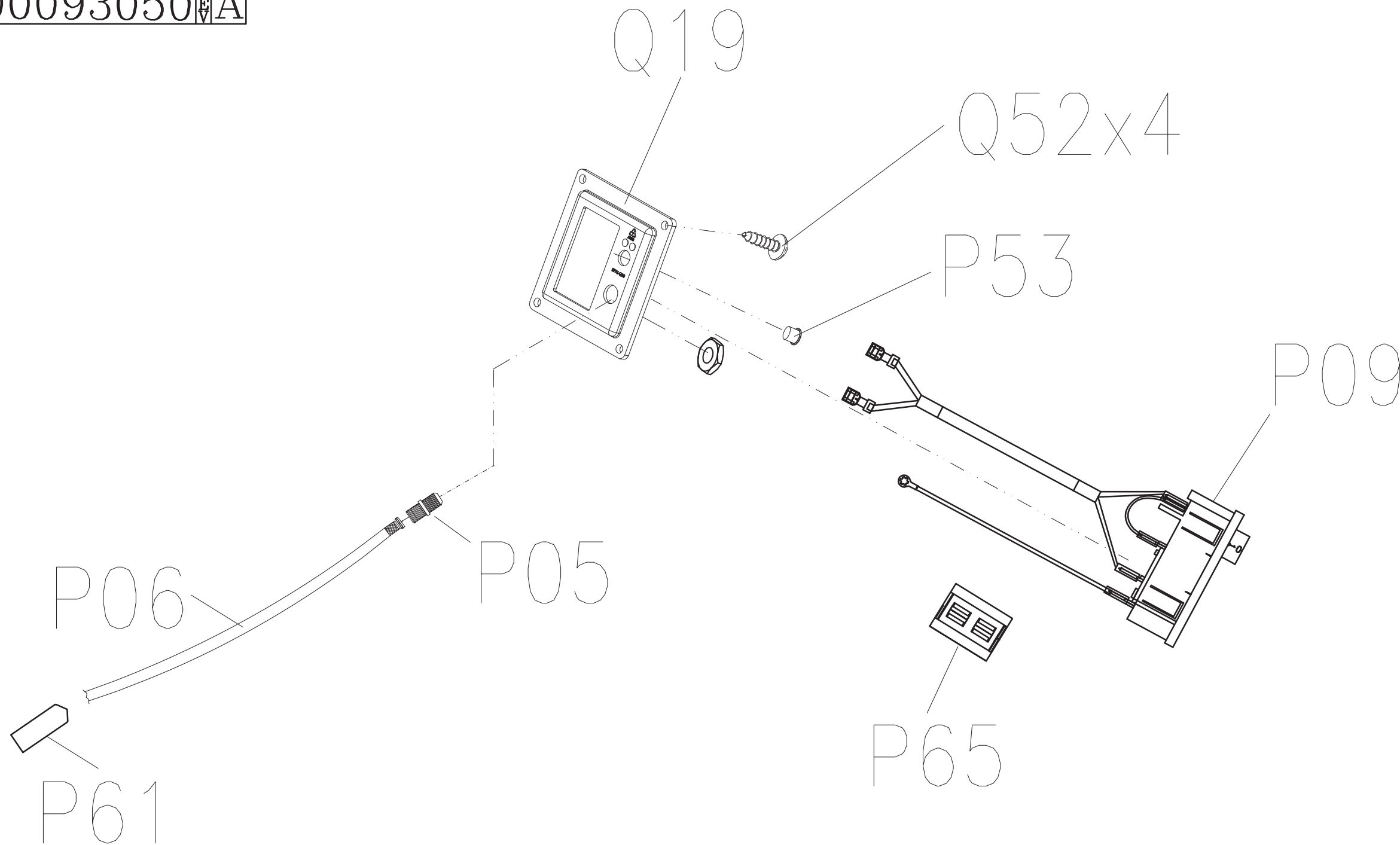
DRAWING NO 圖號	EP79-AR6
PART NAME(CH) 零件名稱(中文)	皮帶輪主軸組
PART NAME(EN) 零件名稱(英文)	AXLE;PULLEY
SAP PART NO SAP料號	0000092277  A



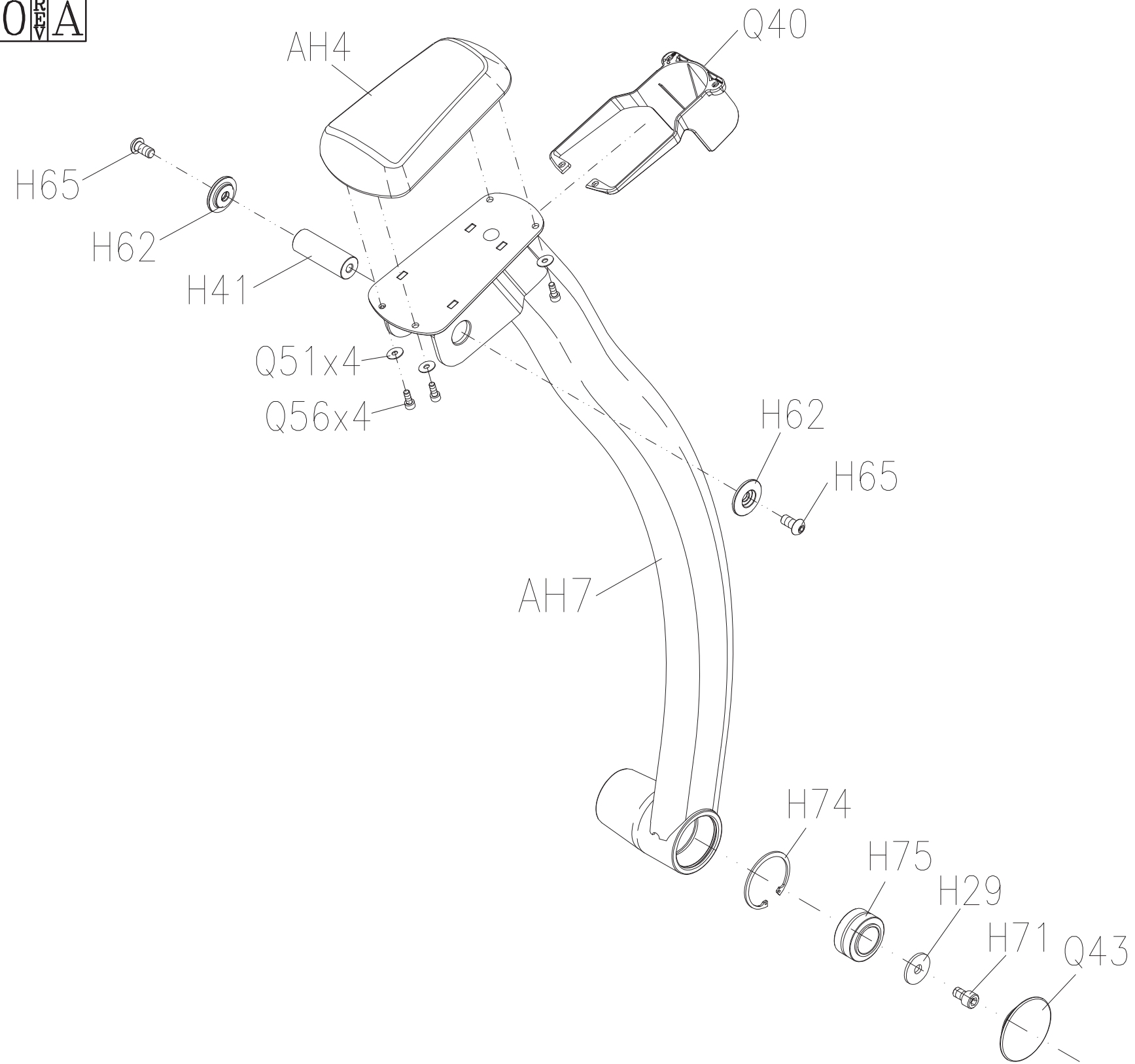
DRAWING NO	EP79-AJ12		
PART NAME	ROUND DISK SET		
PART NO	0000092280 ^R _B		
APPROVE	tsaijw	DATE	20110103



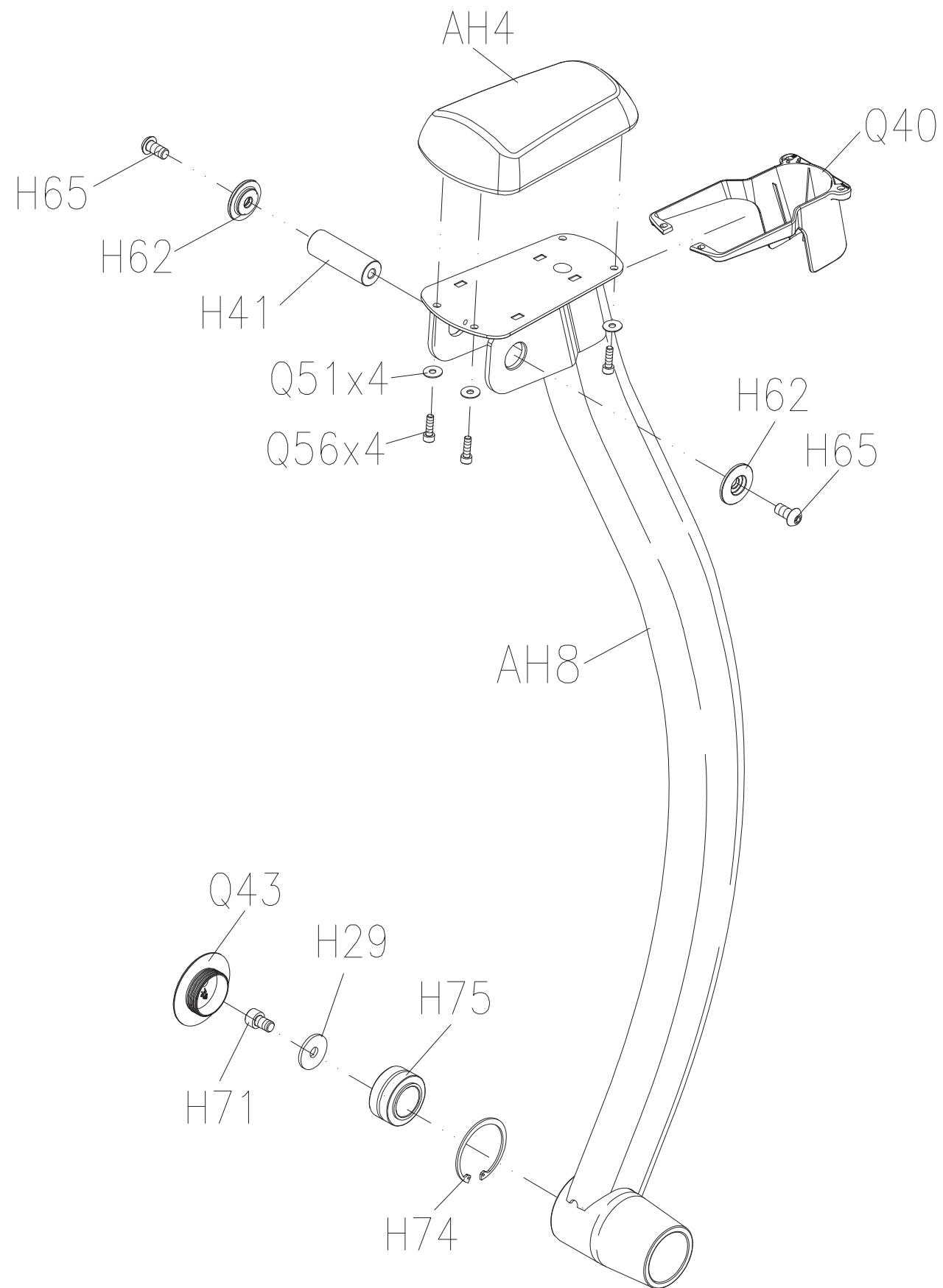
DRAWING NO 圖 號	EP79-AP15
PART NAME(CH) 零件名稱(中文)	固定片組;E-PORT
PART NAME(EN) 零件名稱(英文)	E-PORT FIX PLATE SET
SAP PART NO SAP料號	0000093050 REV A



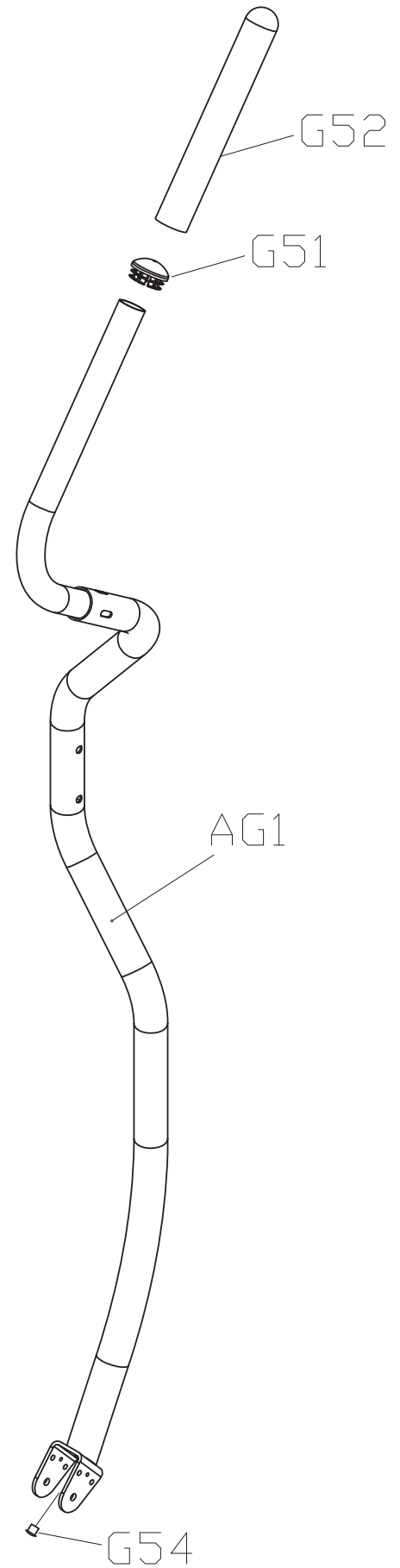
DRAWING NO 圖 號	EP79-AH12
PART NAME(CH) 零件名稱(中文)	右擺動臂組
PART NAME(EN) 零件名稱(英文)	RIGHT ADJUSTMENT ARM SET
SAP PART NO SAP料號	0000093890  A



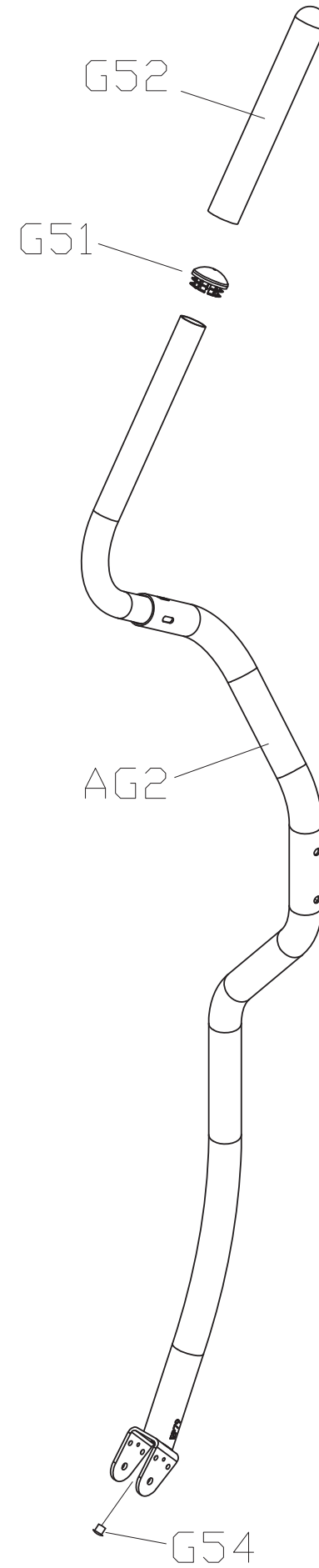
DRAWING NO 圖號	EP79-AH13
PART NAME(CH) 零件名稱(中文)	左擺動臂組
PART NAME(EN) 零件名稱(英文)	LEFT ADJUSTMENT ARM SET
SAP PART NO SAP料號	0000093892  A



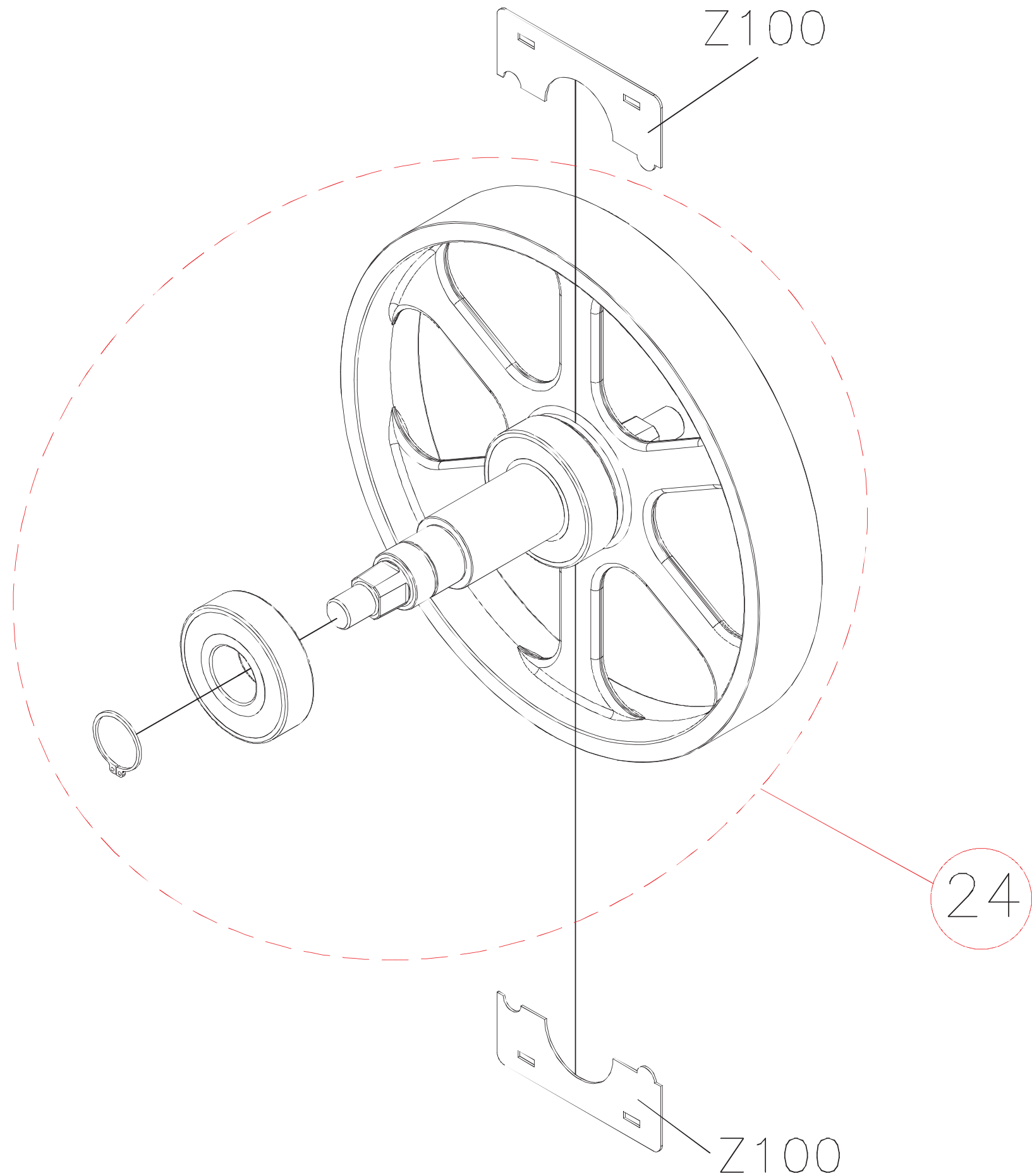
DRAWING NO	EP79-AG7		
PART NAME	RIGHT HANDLEBAR SET		
PART NO	0000094443 ^R / _V B		
APPROVE	Tsaijw	DATE	20110415



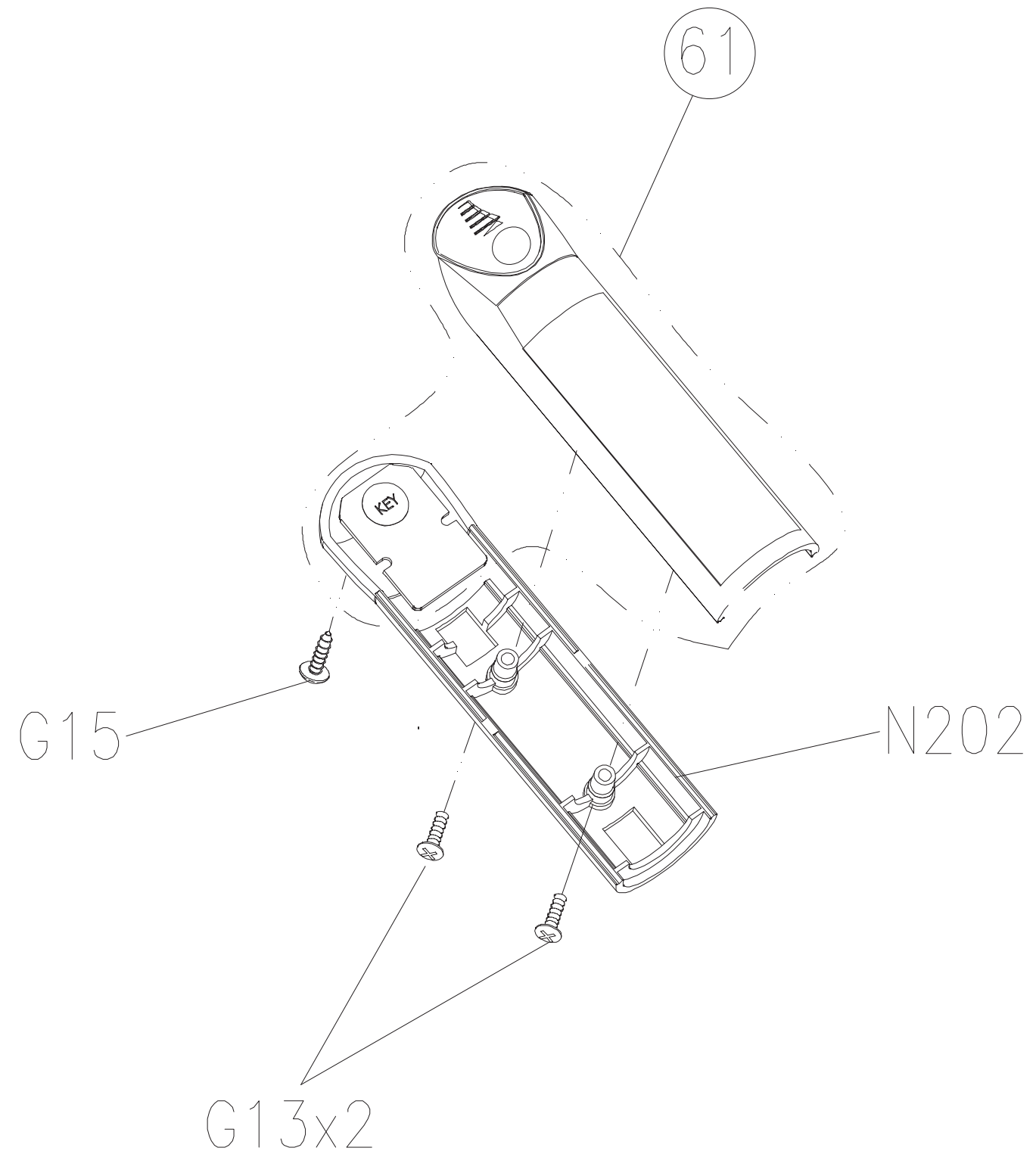
DRAWING NO	EP79-AG8		
PART NAME	LEFT HANDLEBAR SET		
PART NO	0000094444	REV	B
APPROVE	Tsaijw	DATE	20110415



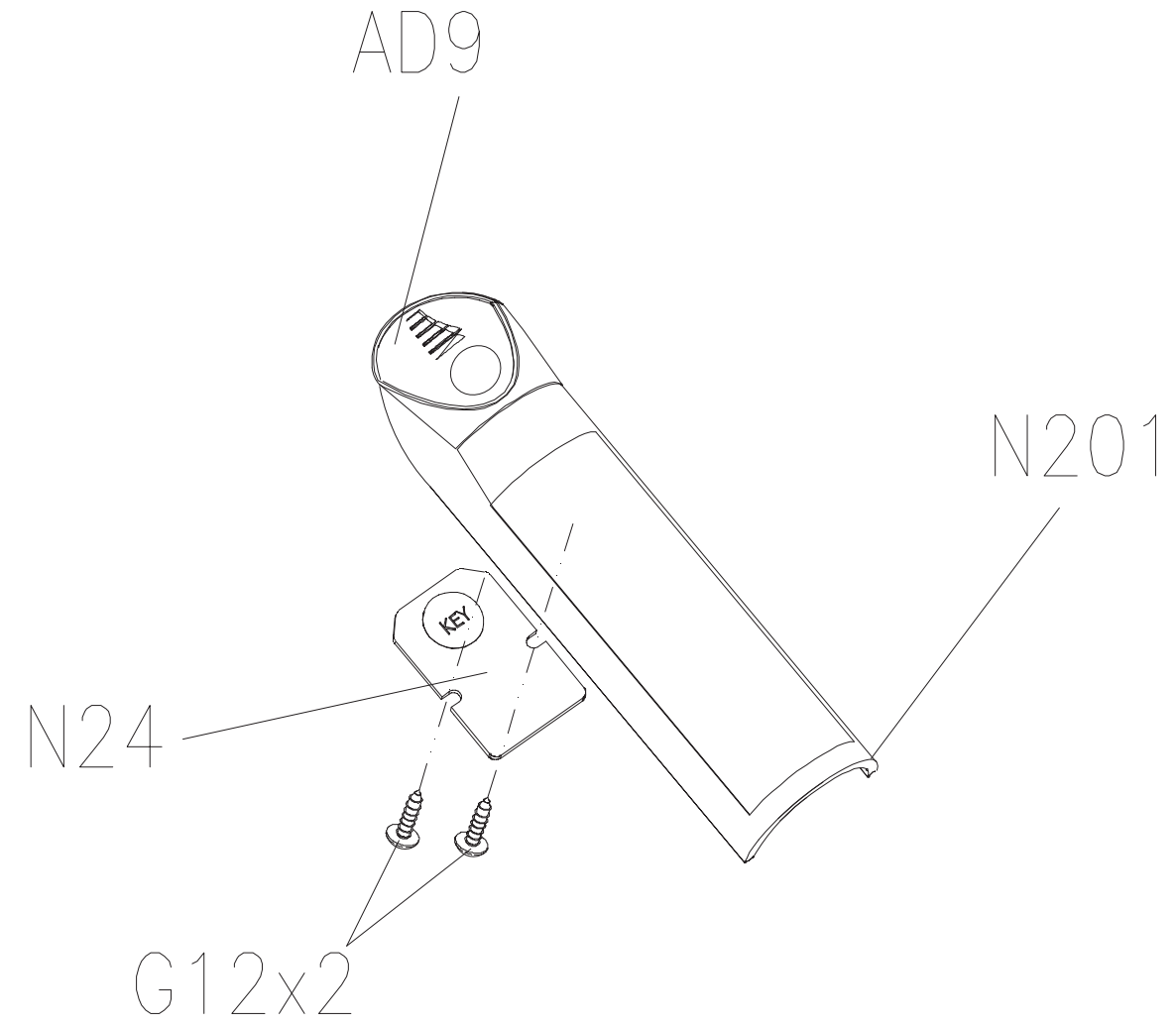
DRAWING NO	EP79-AR100		
PART NAME	Transmission Set+Tools		
PART NO	1000339506	REV	C
APPROVE	S.T.C	DATE	20160217



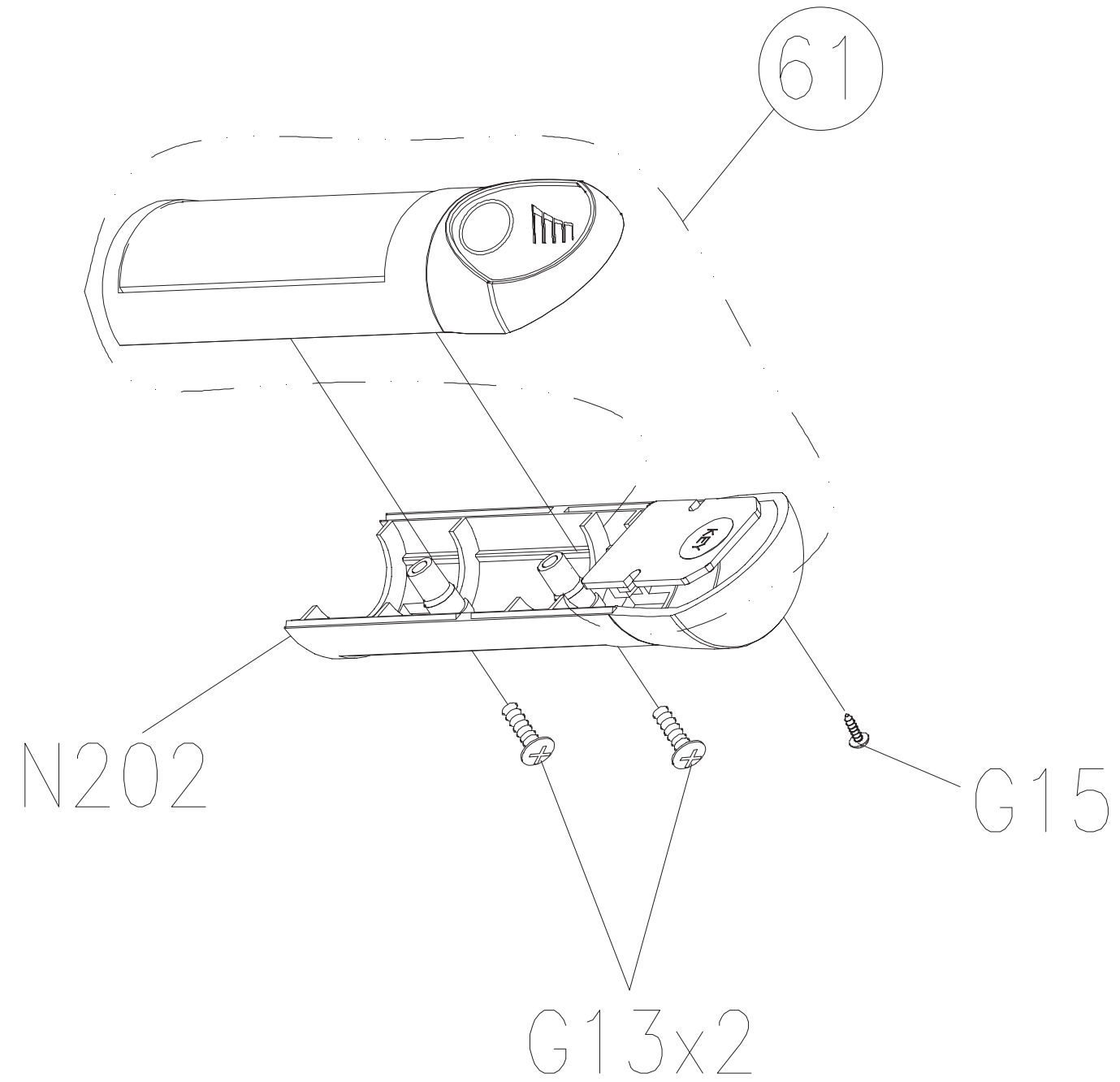
DRAWING NO	EP81-AN16		
PART NAME	HP GRIP SET;R		
PART NO	1000389784	REV	B
APPROVE	AMBER	DATE	20160427



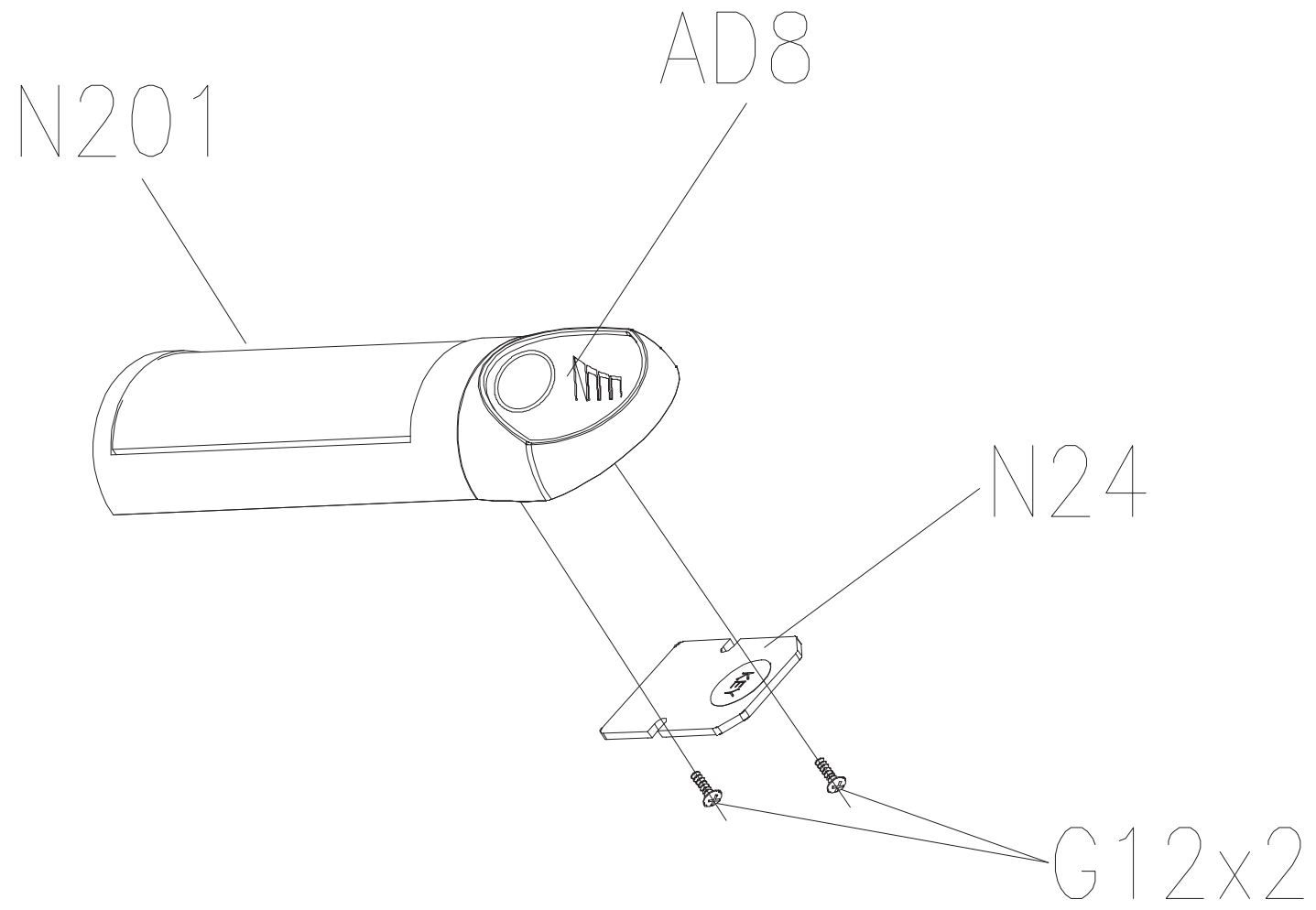
DRAWING NO	EP81-AN19		
PART NAME	HP GRIP SET;R		
PART NO	1000389789	REV	B
APPROVE	AMBER	DATE	20160427



DRAWING NO	EP81-AN17		
PART NAME	HP GRIP SET;L		
PART NO	1000389832	REV	B
APPROVE	AMBER	DATE	20160427



DRAWING NO	EP81-AN20		
PART NAME	HP GRIP SET;L		
PART NO	1000389835	REV	B
APPROVE	AMBER	DATE	20160427



DRAWING NO	EP81-AG8		
PART NAME	FRONT HANDLEBAR SET		
PART NO	1000390684 <small>REV</small> B		
APPROVE	AMBER	DATE	20160512

