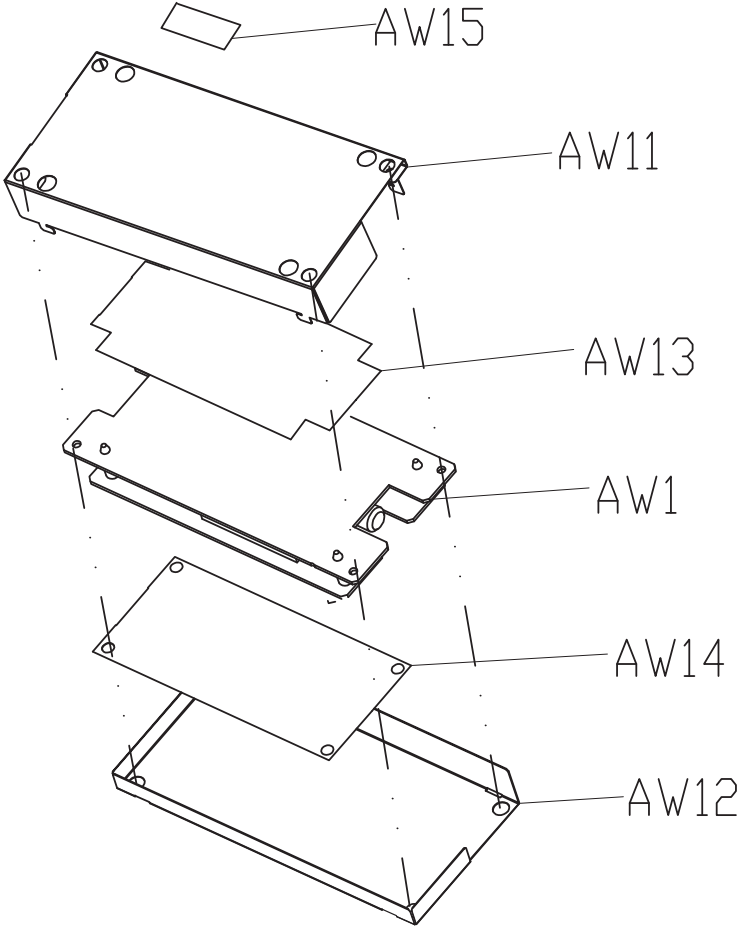
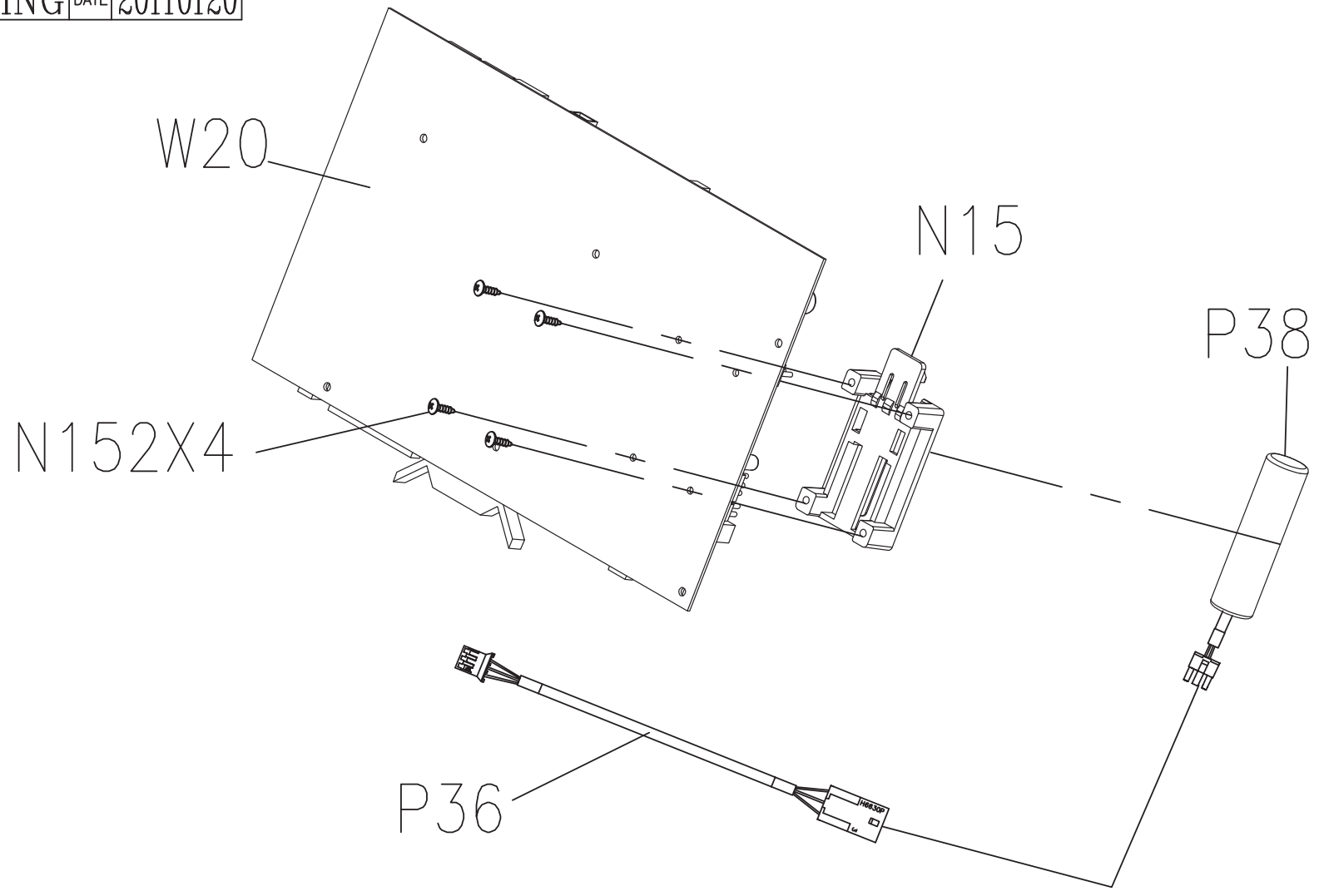




DRAWING NO	TM502-AW31		
PART NAME	TUNER Module Set		
PART NO	As attachment list Ⅱ B		
APPROVE	SHUYI	DATE	09.29.10



DRAWING NO	EP91C-AW31		
PART NAME	CONTROL BOARD SET;LMM		
PART NO			REV A
APPROVE	YUTING	DATE	20110120



DRAWING NO	EP91C-AN15		
PART NAME	TFT MODULE SET;7 INCH		
PART NO	REF A		
APPROVE	YUTING	DATE	20110120

