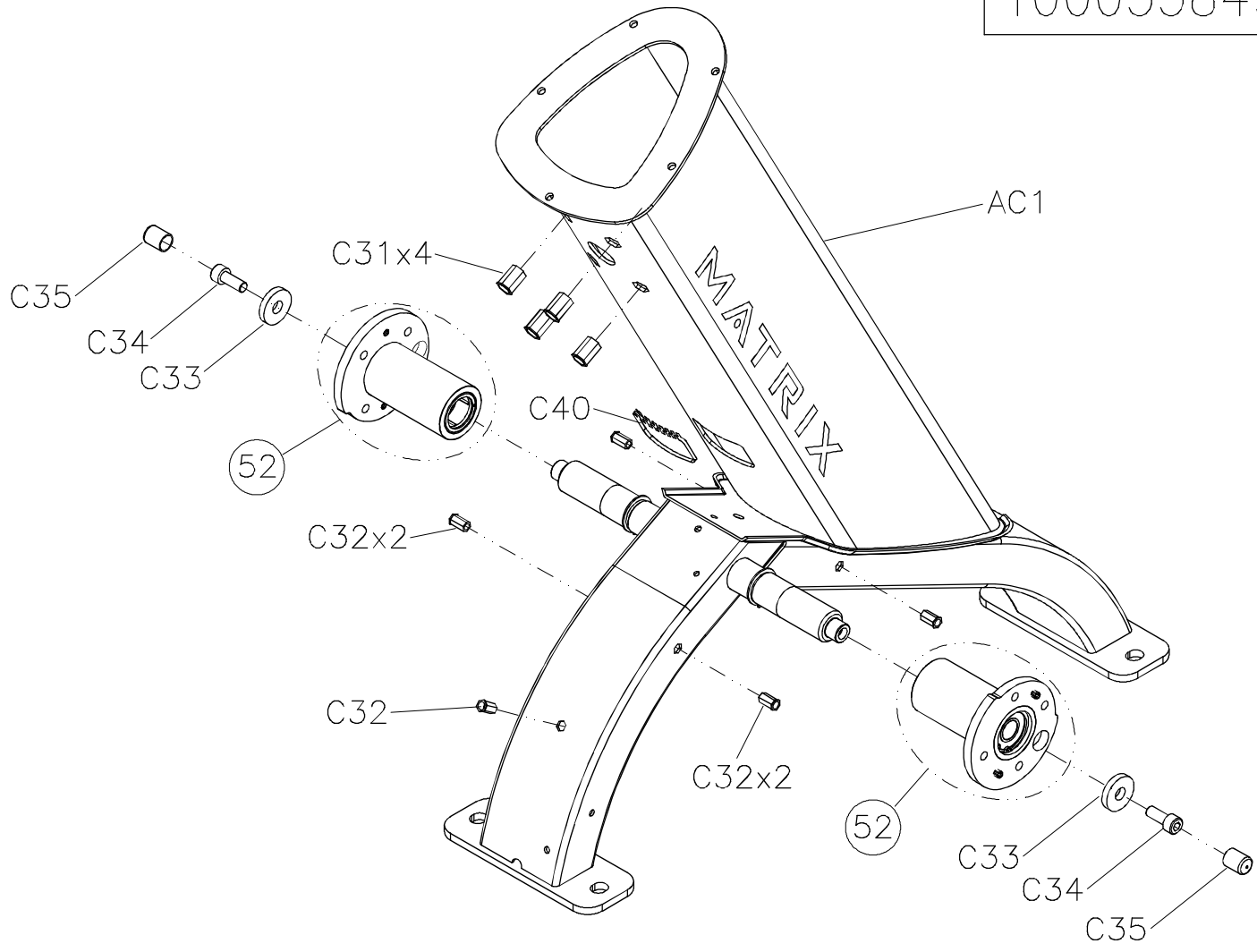



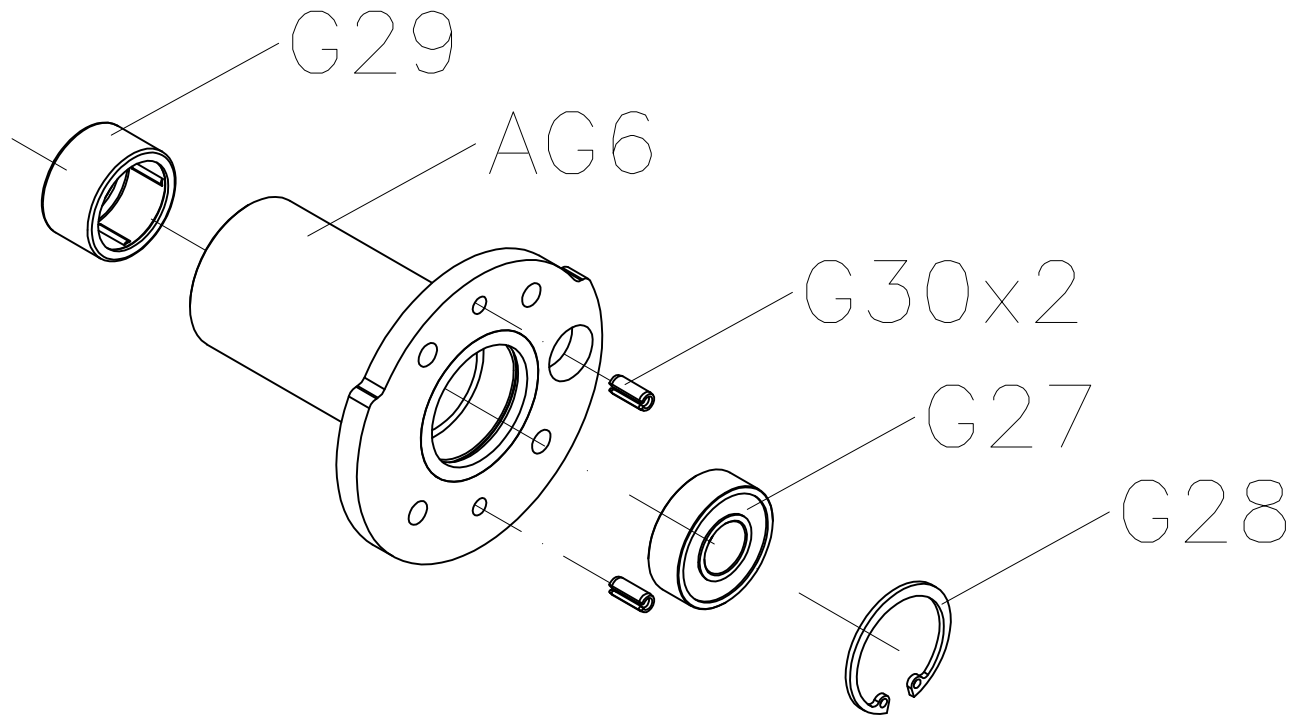


DRAWING NO	EP304-AC11	
PART NAME	CONSOLE MAST SET	
PART NO	See attached chart  E	
APPROVE	S.T.C	DATE 20140128

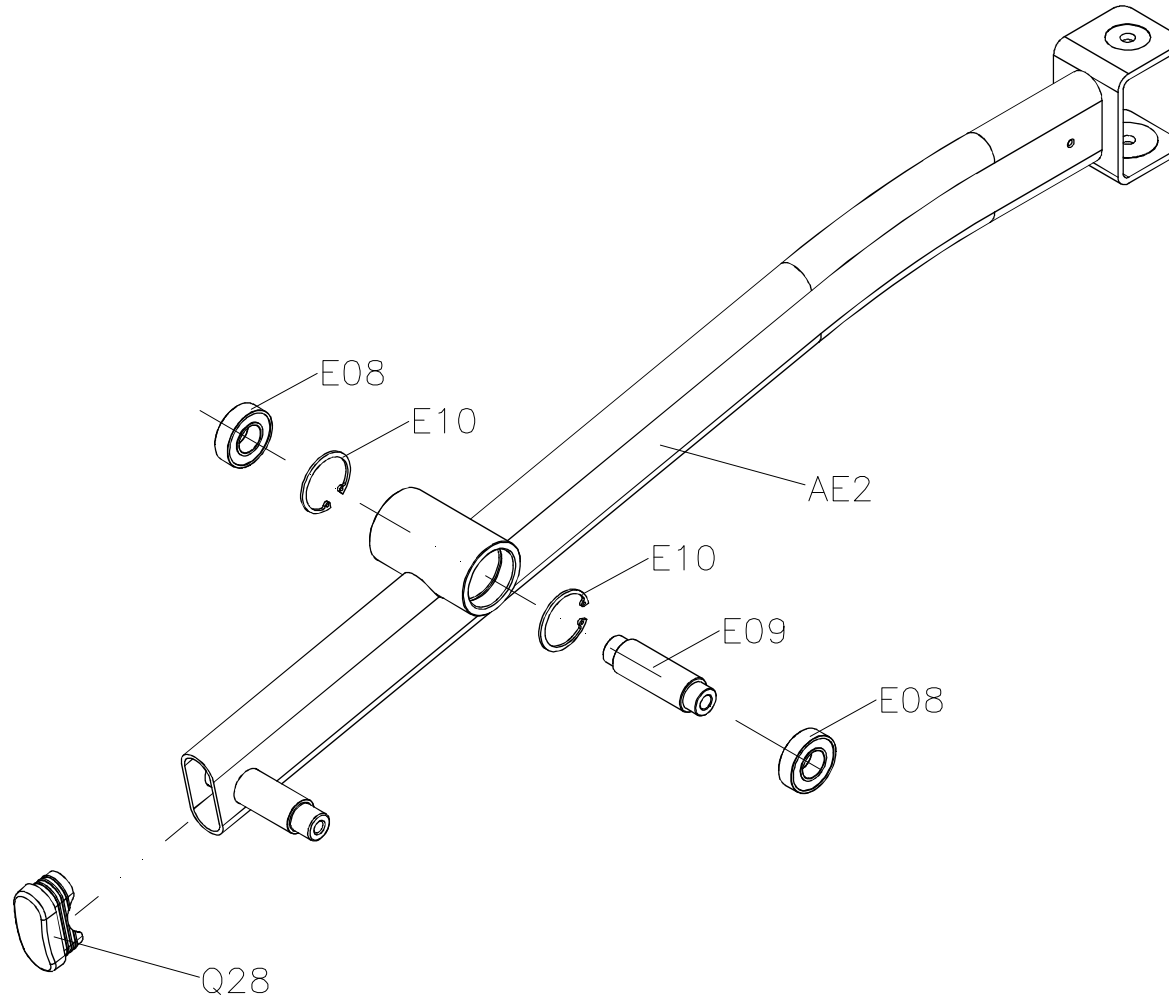
SAP No.	Description
0000094938	SLIVER
1000338327	PURPLE
1000338498	BLACK MATTE



DRAWING NO	EP304-AG15		
PART NAME	ROTATION HOUSING ASSEMBLY SET		
PART NO	0000094951		B
APPROVE	S.T.C	DATE	20111018

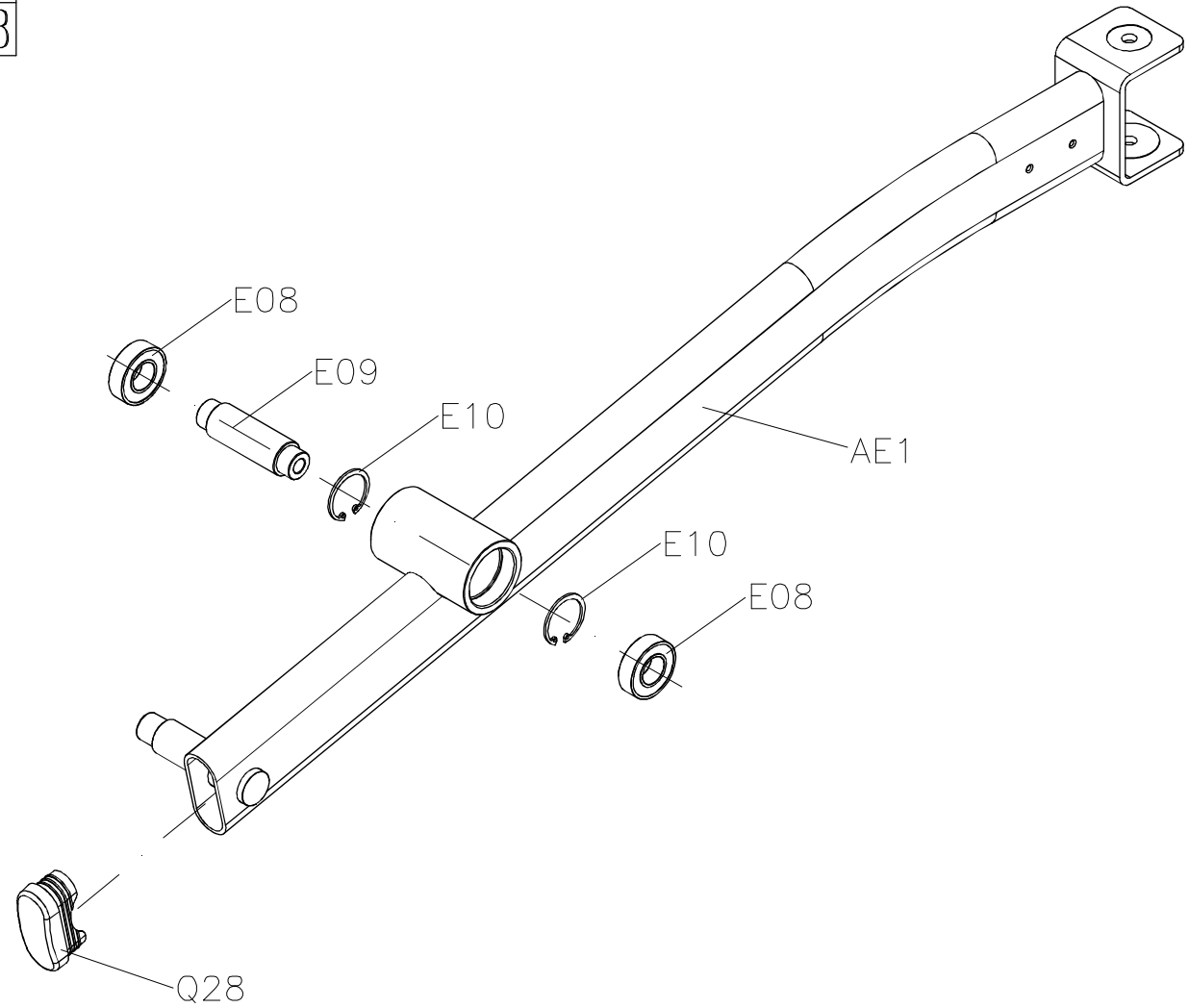


DRAWING NO	EP304-AE11		
PART NAME	RIGHT PEDAL ARM SET		
PART NO	See attached  B		
APPROVE	Hunter	DATE	120213



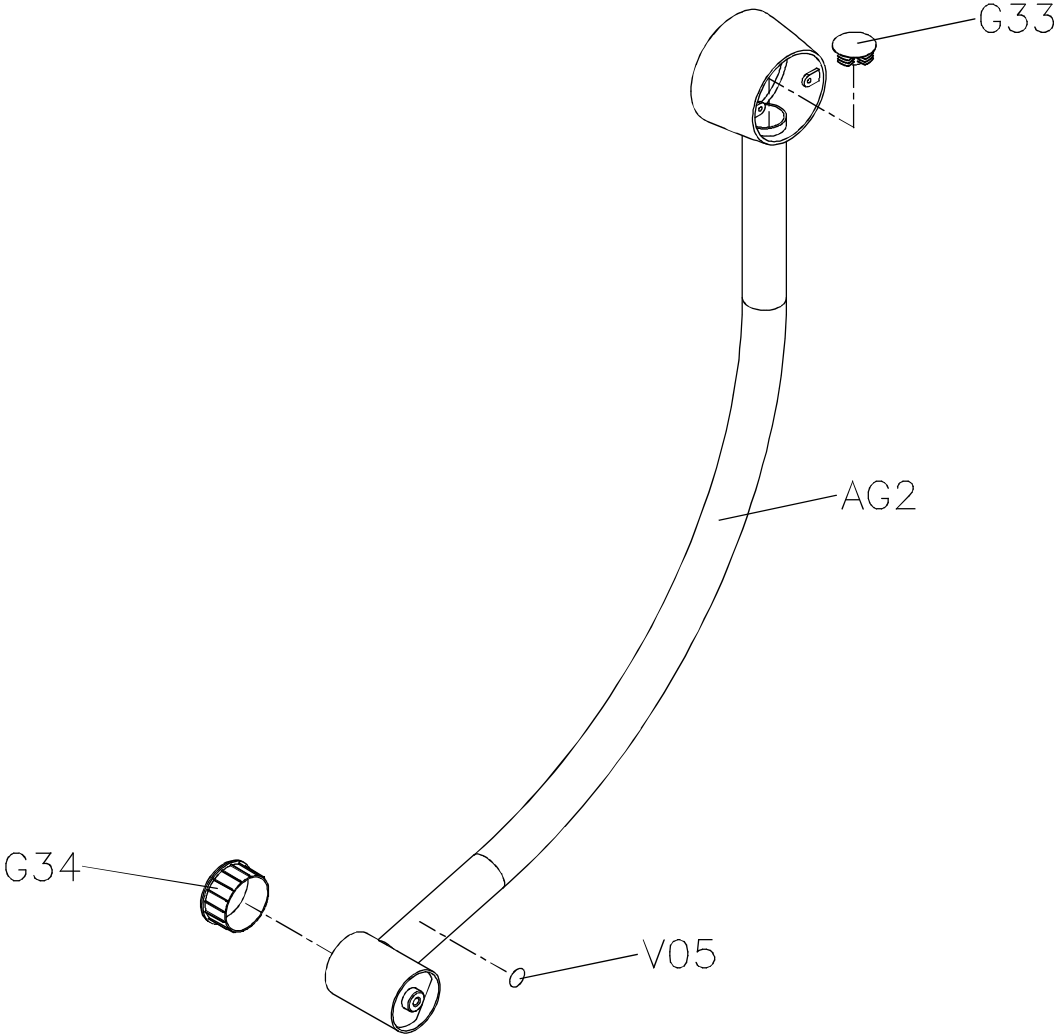
SAP NO.	Description
0000094984	SLIVER
1000338500	Matte black

DRAWING NO	EP304-AE12		
PART NAME	LEFT PEDAL ARM SET		
PART NO	See attached 		
APPROVE	Hunter	DATE	120213

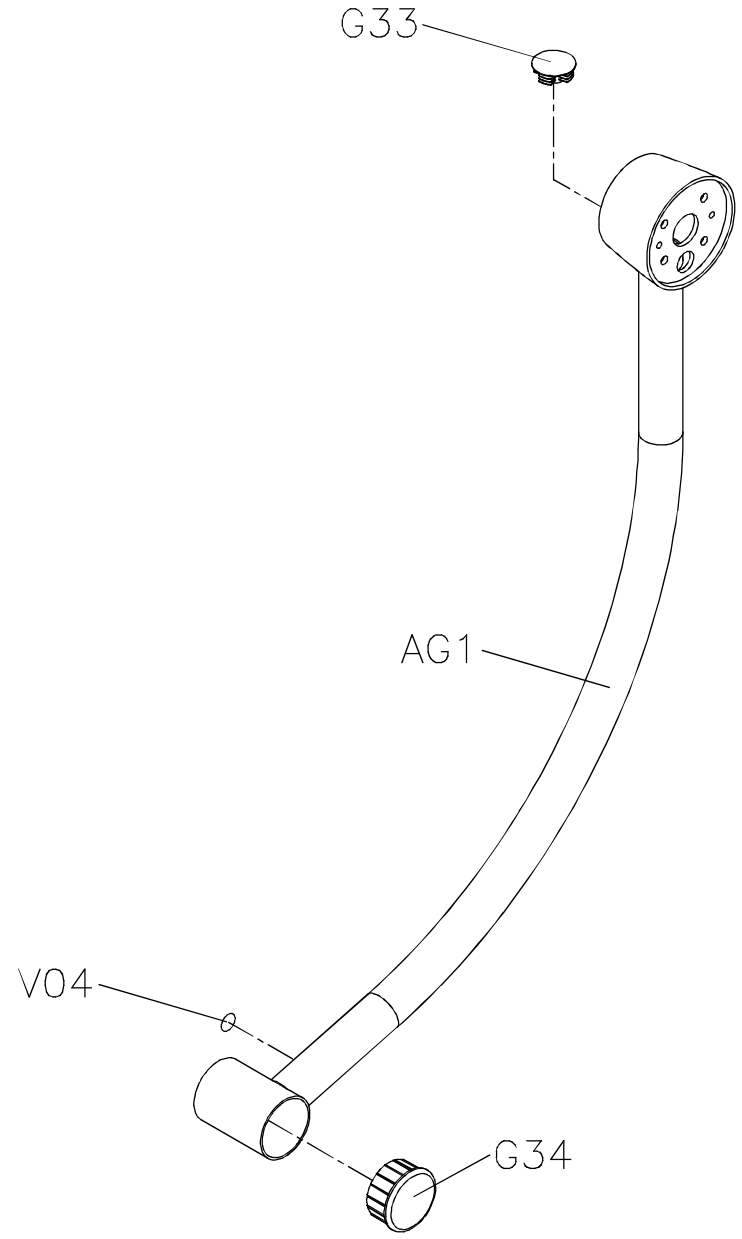


SAP NO.	Description
0000094991	SLIVER
1000338504	Matte black

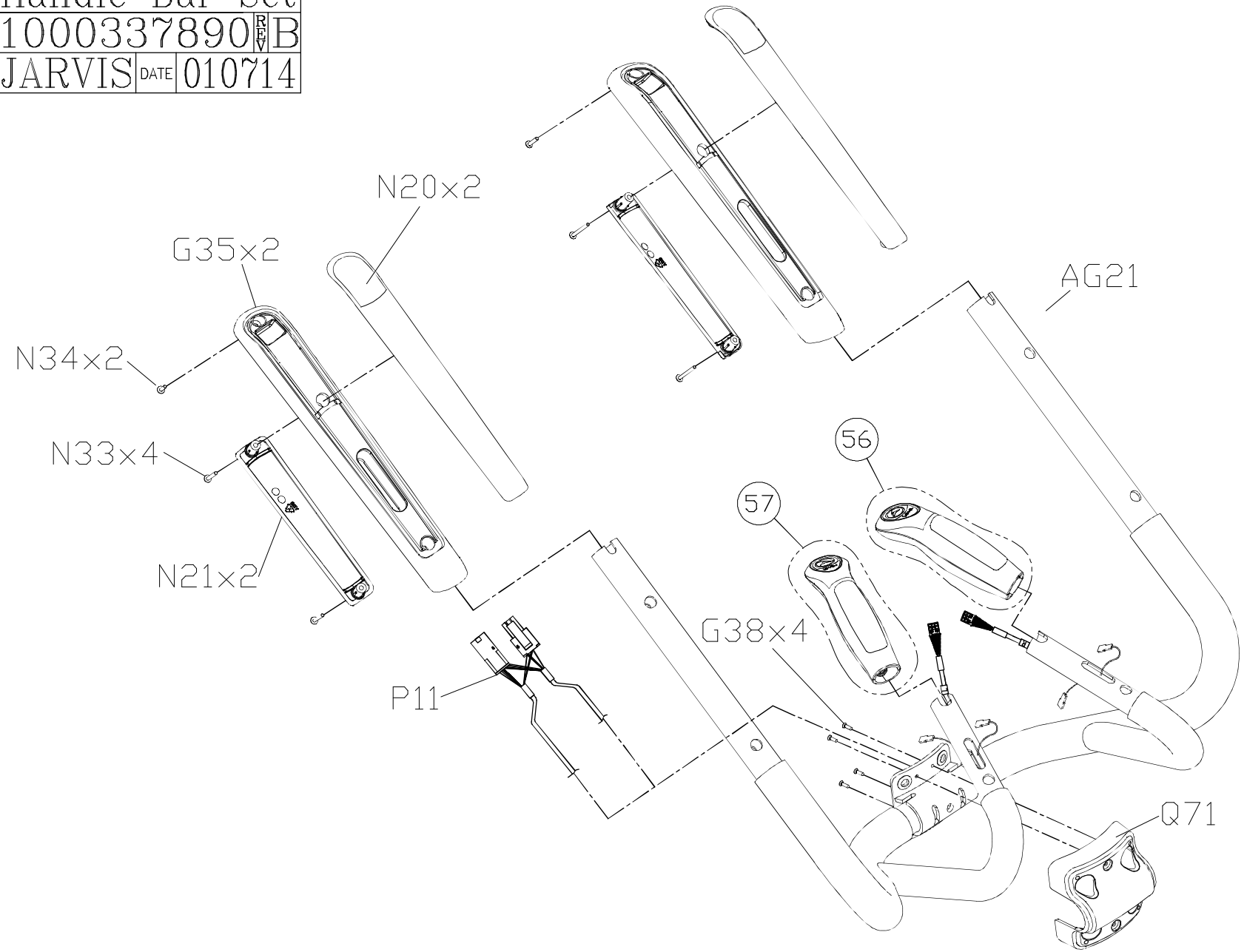
DRAWING NO	EP617-AG11		
PART NAME	RIGHT HANDLEBAR SET		
PART NO	1000337843 		
APPROVE	JARVIS	DATE	010714



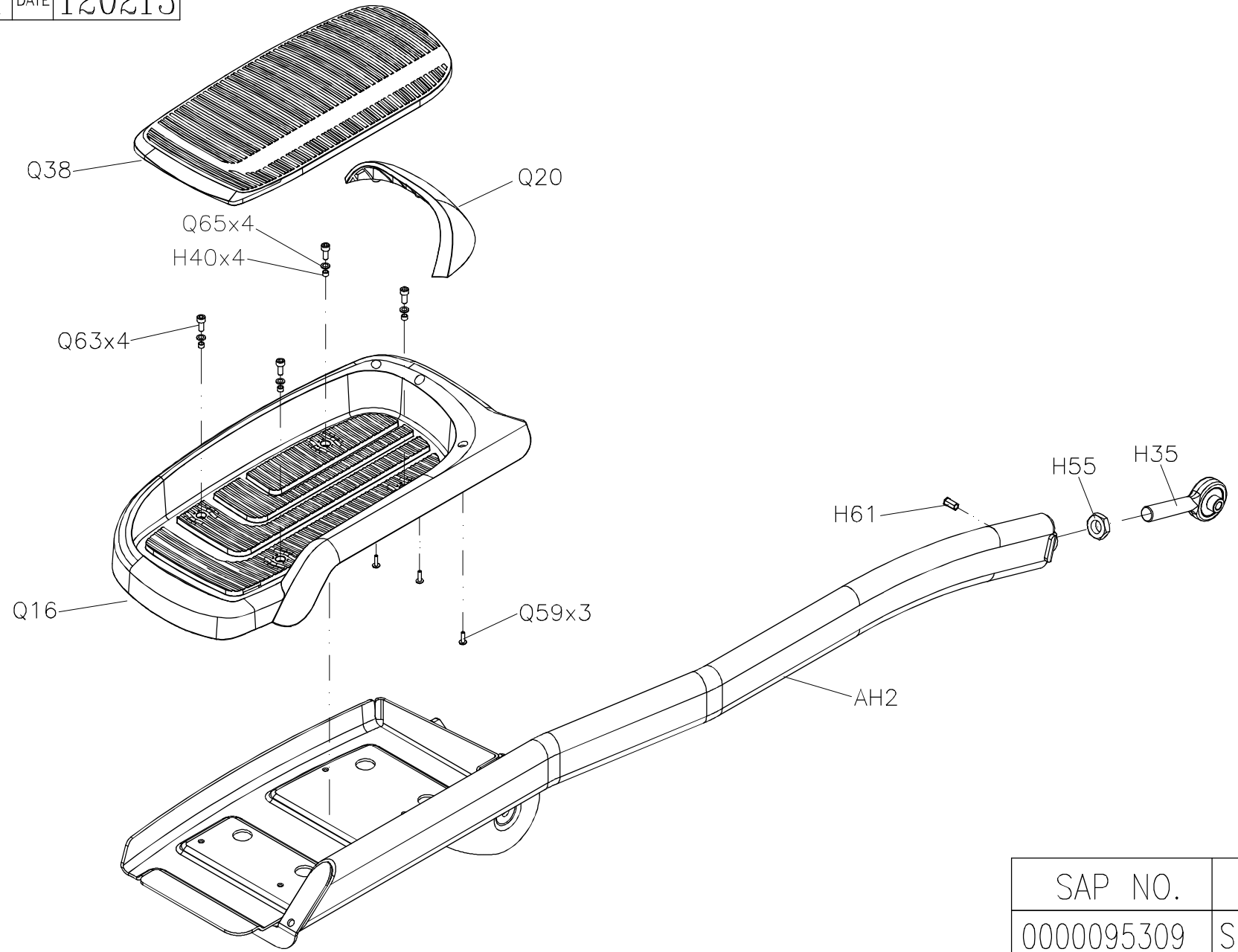
DRAWING NO	EP617-AG12		
PART NAME	LEFT HANDLEBAR SET		
PART NO	1000337864	REV	B
APPROVE	JARVIS	DATE	010714



DRAWING NO	EP617-AG13		
PART NAME	Handle Bar Set		
PART NO	1000337890 <small>REV B</small>		
APPROVE	JARVIS	DATE	010714

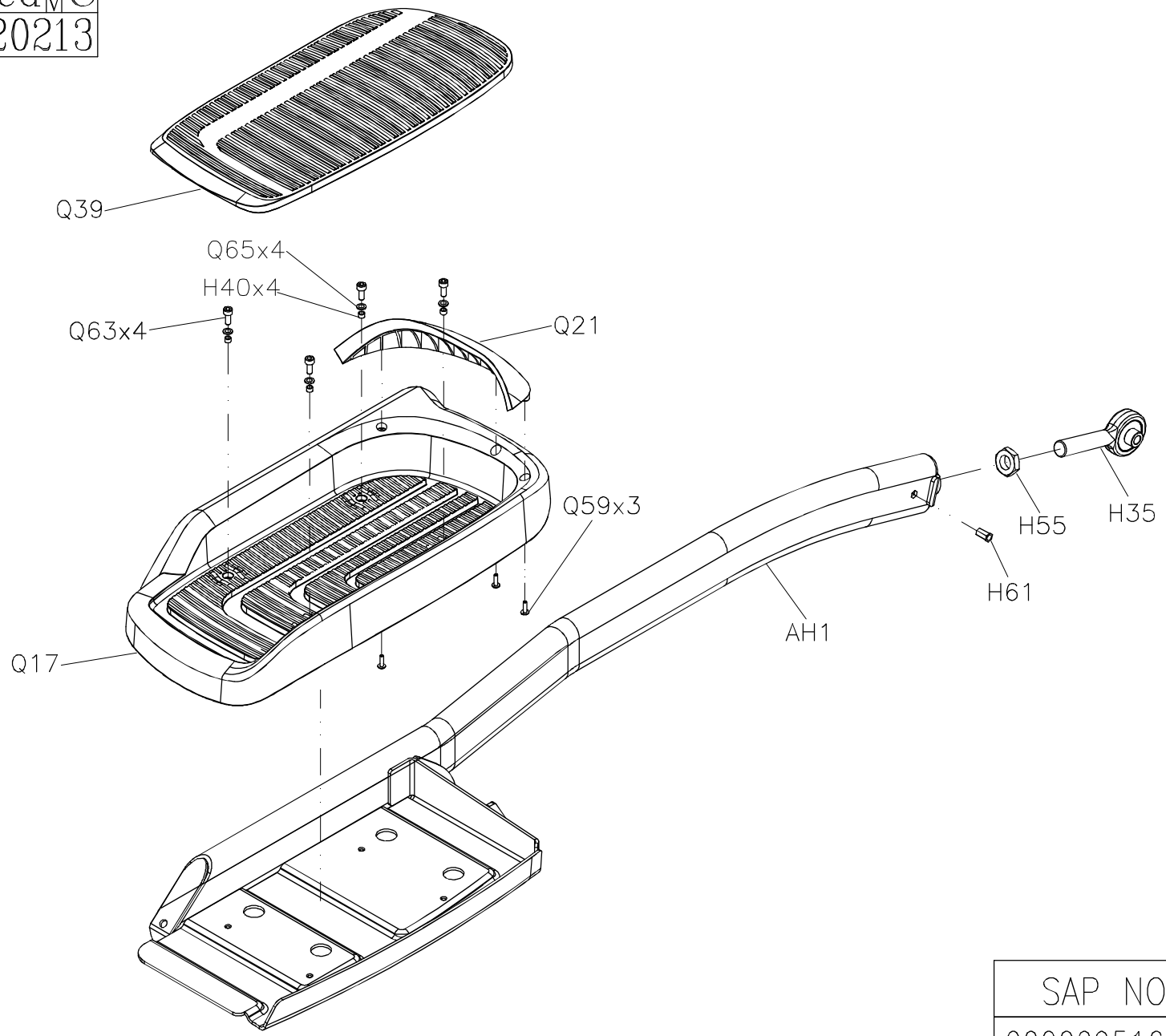


DRAWING NO	EP308-AH21		
PART NAME	RIGHT LOWER LINK ARM SET		
PART NO	See attached  C		
APPROVE	Hunter	DATE	120213



SAP NO.	Description
0000095309	SLIVER
1000338612	Matte black

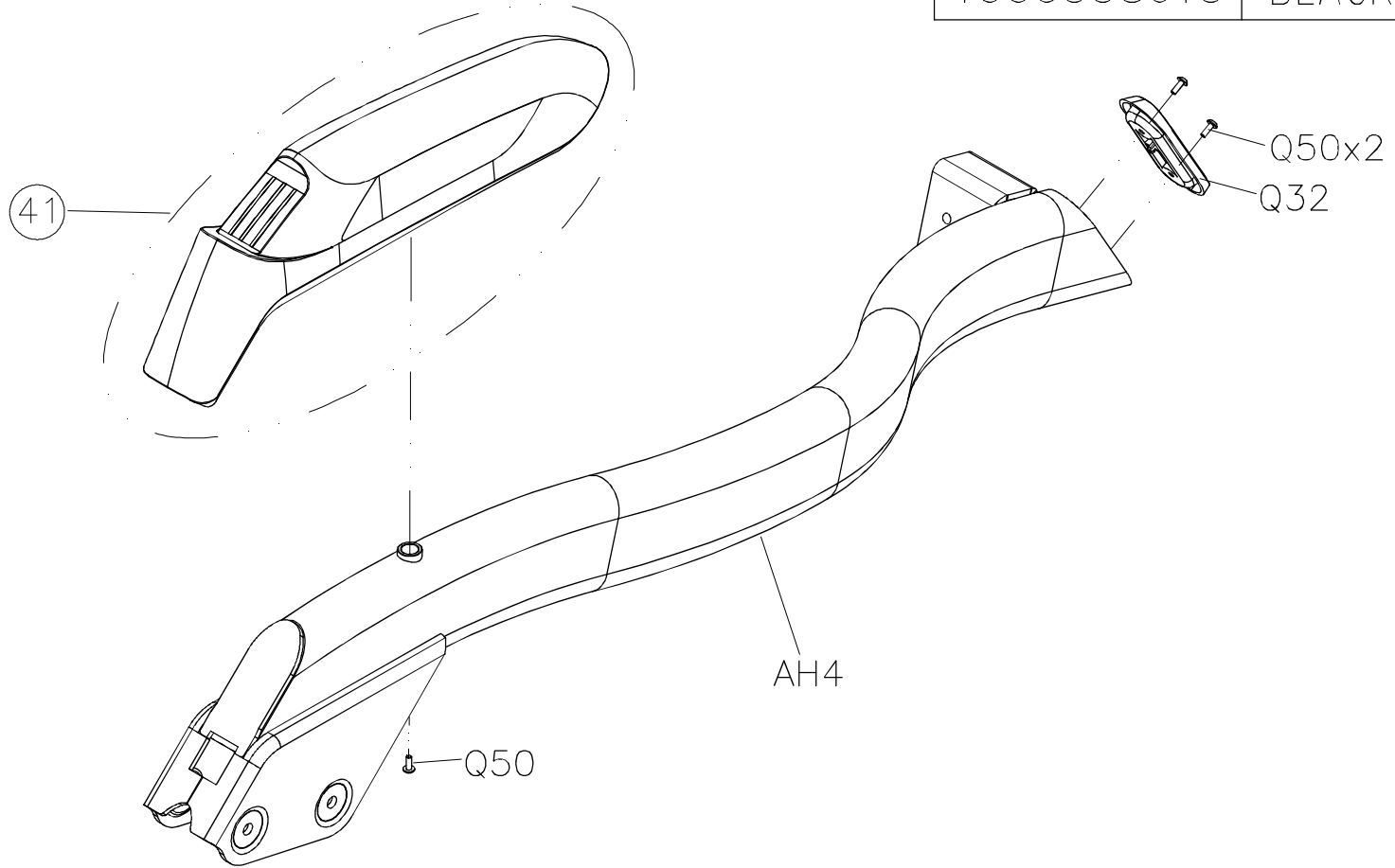
DRAWING NO	EP308-AH22		
PART NAME	LEFT LOWER LINK ARM SET		
PART NO	See attached  C		
APPROVE	Hunter	DATE	120213



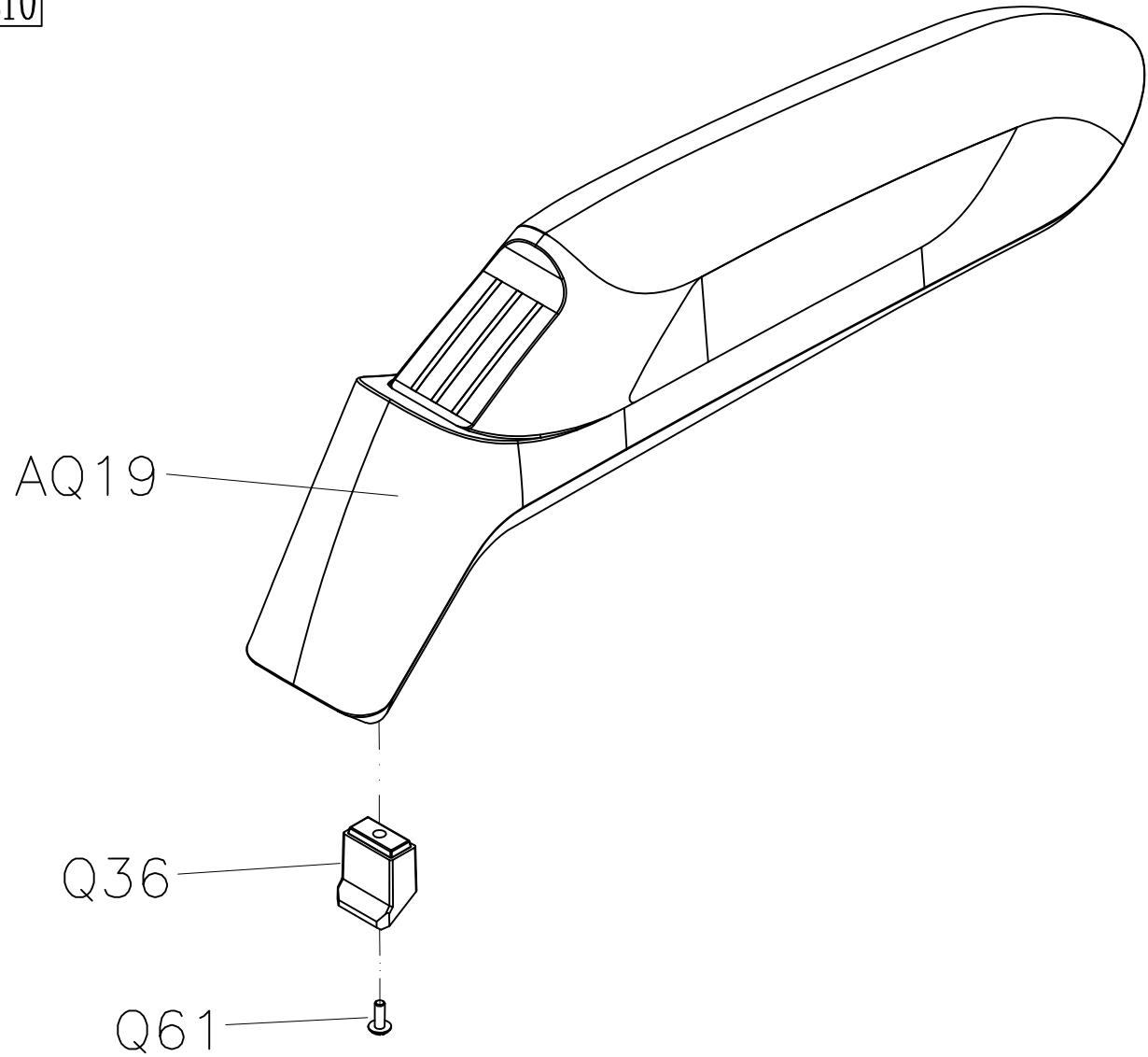
SAP NO.	Description
0000095164	SLIVER
1000338613	Matte black

DRAWING NO	EP308-AH23		
PART NAME	RIGHT CONNECTION ARM SET		
PART NO	See attached 		
APPROVE	Hunter	DATE	20131125

SAP No.	Description
0000095217	SLIVER
1000338352	PURPLE
1000338615	BLACK MATTE

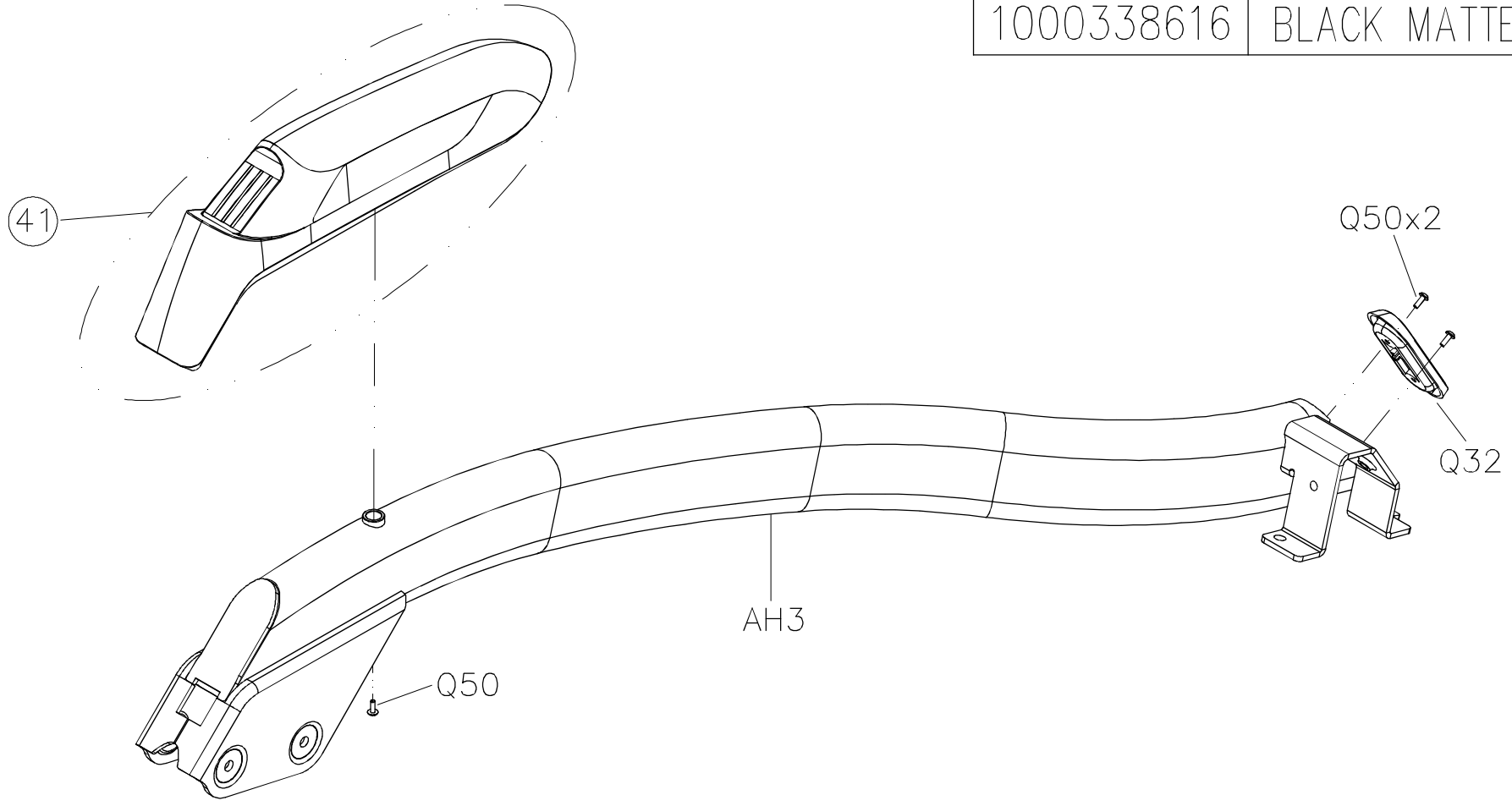


DRAWING NO	EP308-AQ21		
PART NAME	Incline arm cover		
PART NO	0000095212	REV	A
APPROVE	MAX	DATE	20101210

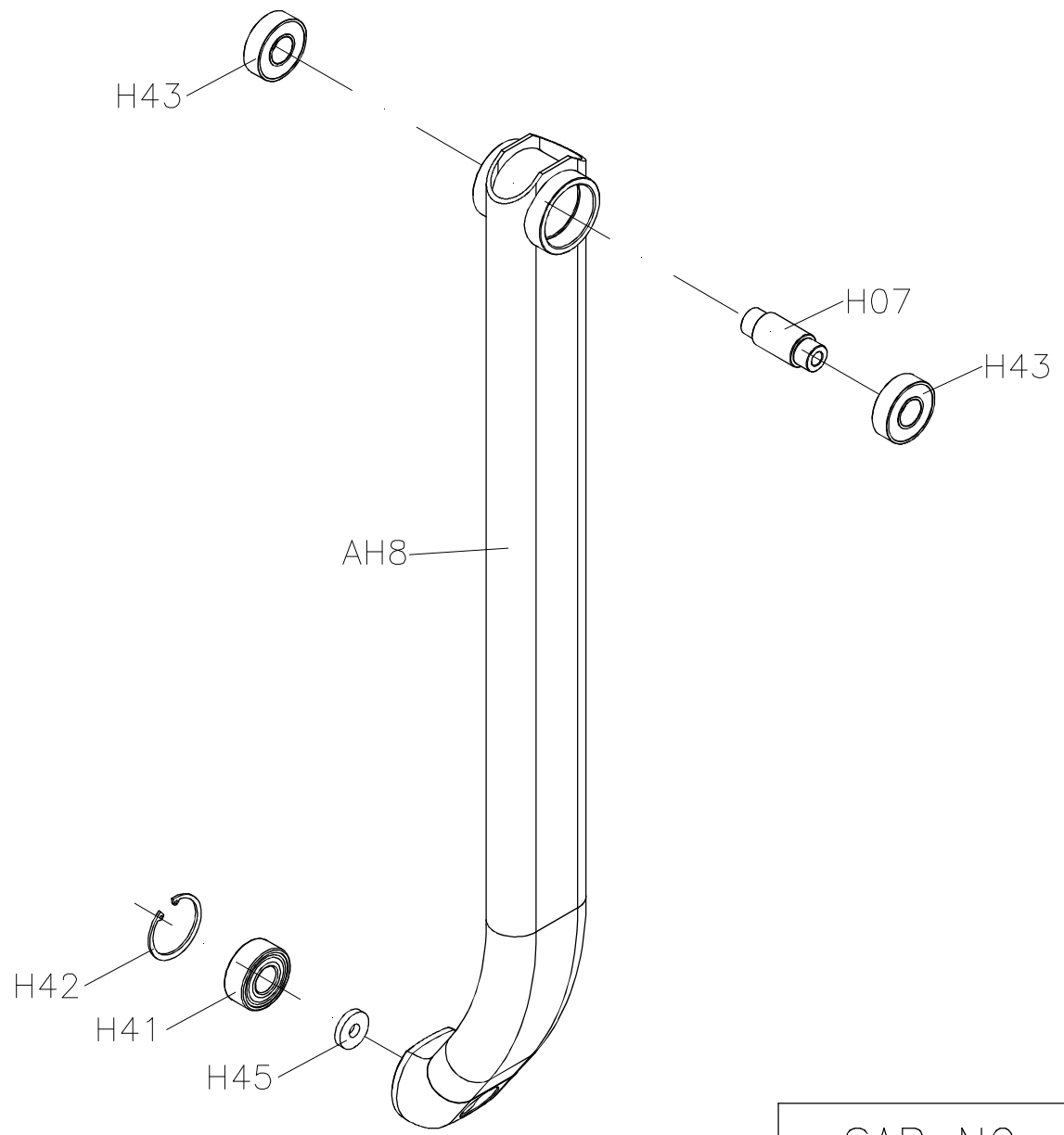


DRAWING NO	EP308-AH24		
PART NAME	LEFT CONNECTION ARM SET		
PART NO	See Attached 		
APPROVE	Hunter	DATE	20131125

SAP No.	Description
0000095060	SLIVER
1000338354	PURPLE
1000338616	BLACK MATTE

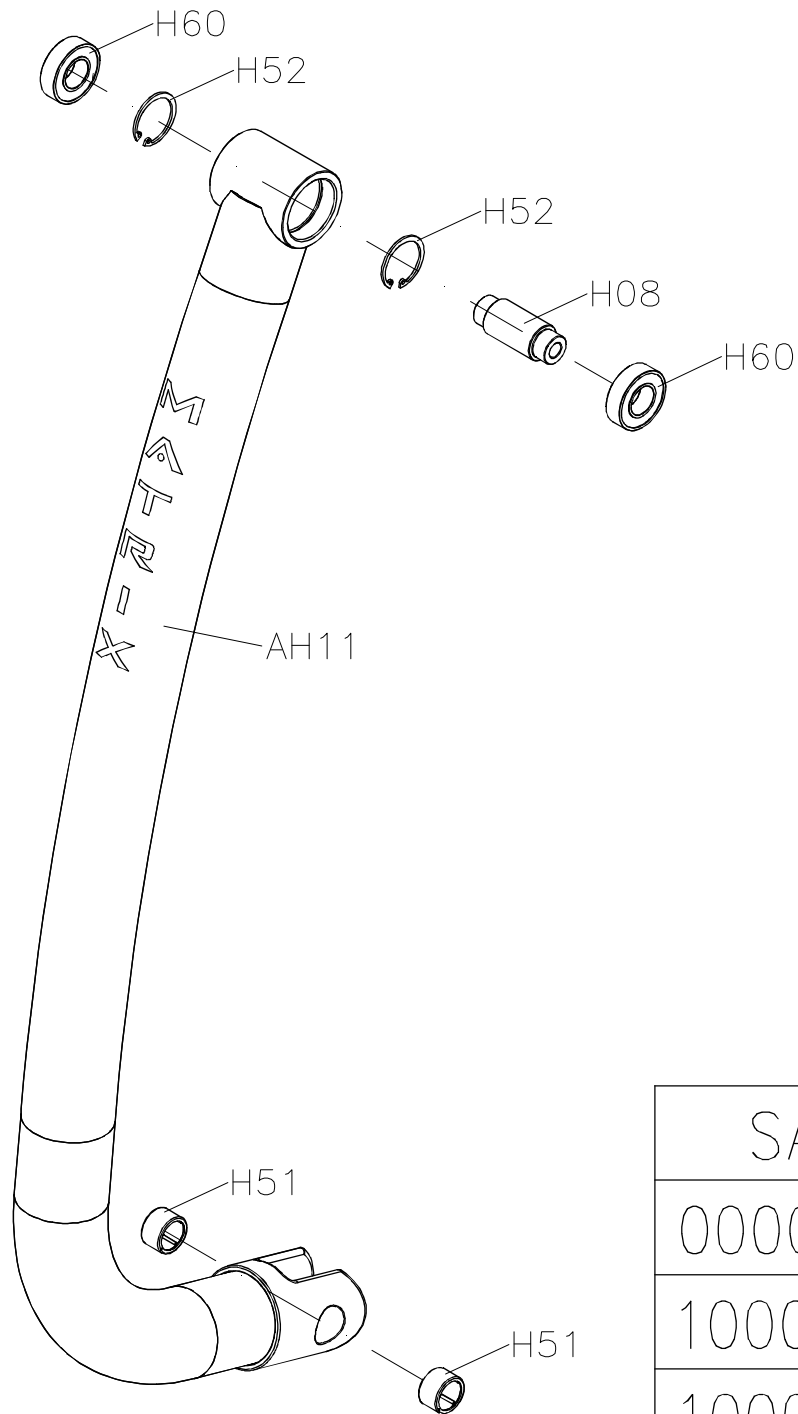


DRAWING NO	EP304-AH25		
PART NAME	SWING ARM SET		
PART NO	See attached  D		
APPROVE	Hunter	DATE	120213



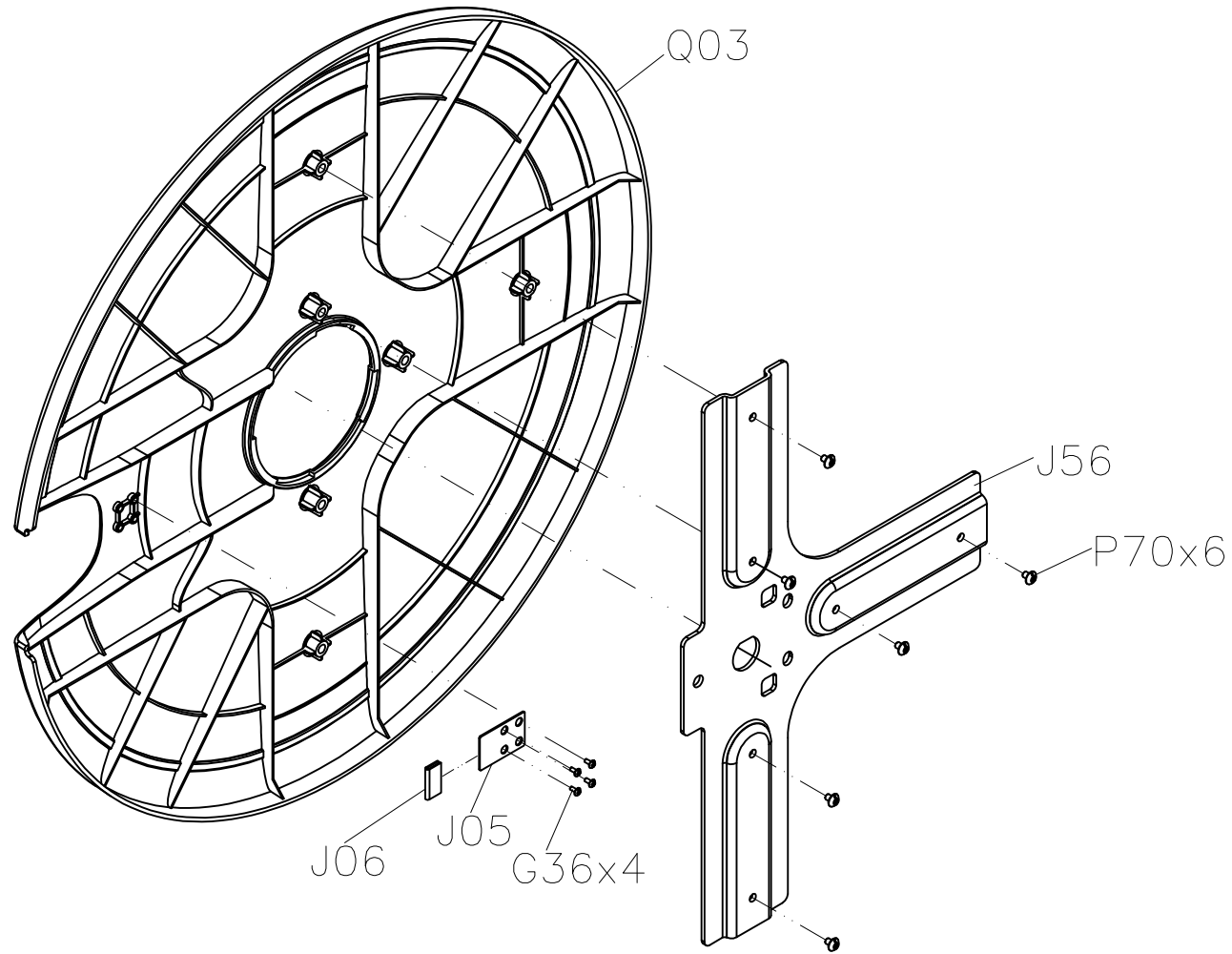
SAP NO.	Description
0000095028	SLIVER
1000338524	Matte black

DRAWING NO	EP304-AH26		
PART NAME	ADJUSTMENT ARM SET		
PART NO	See attached chart		
APPROVE	Hunter	DATE	20131108

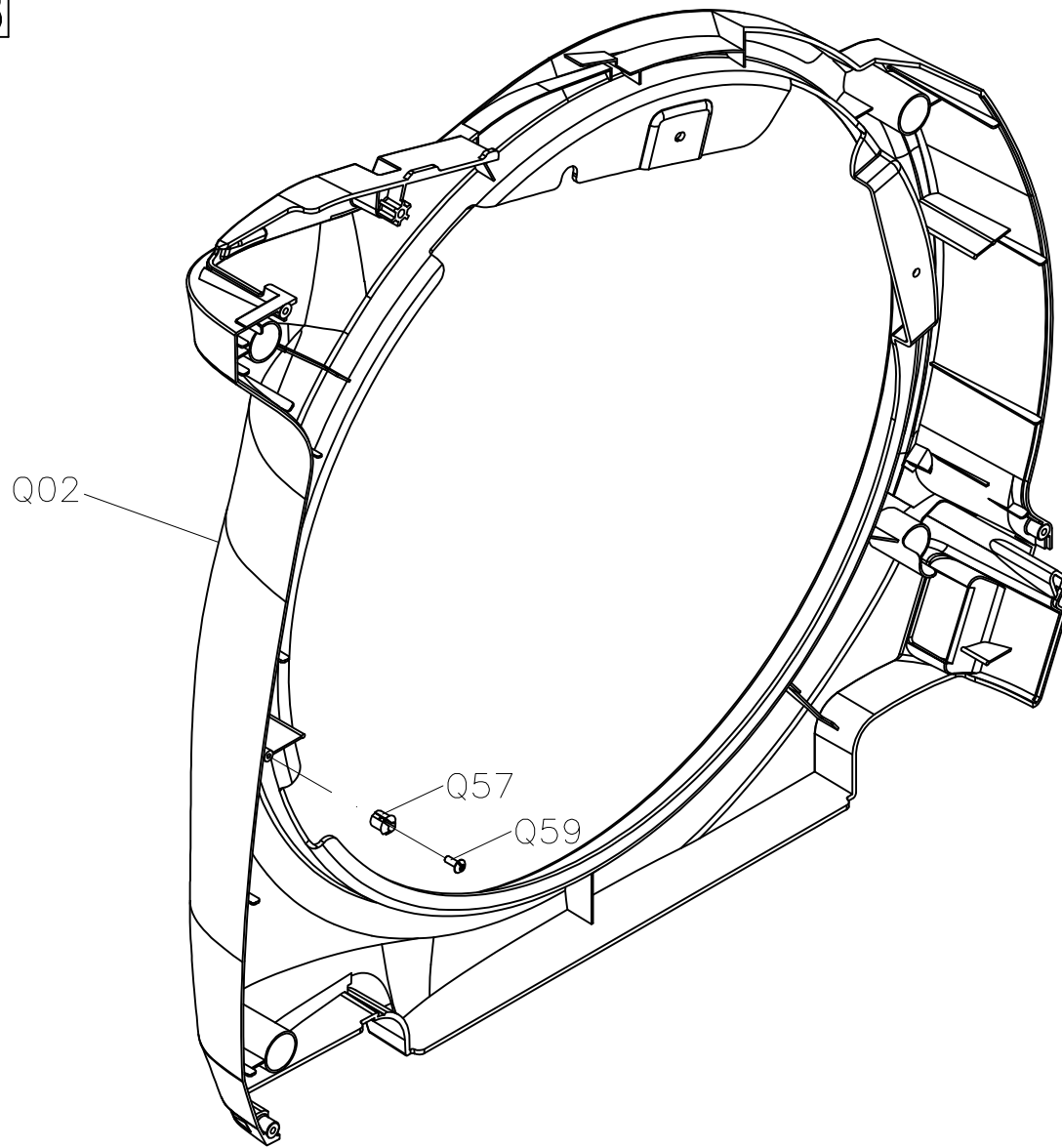


SAP No.	Description
0000095043	SLIVER
1000338338	PURPLE
1000338527	BLACK MATTE

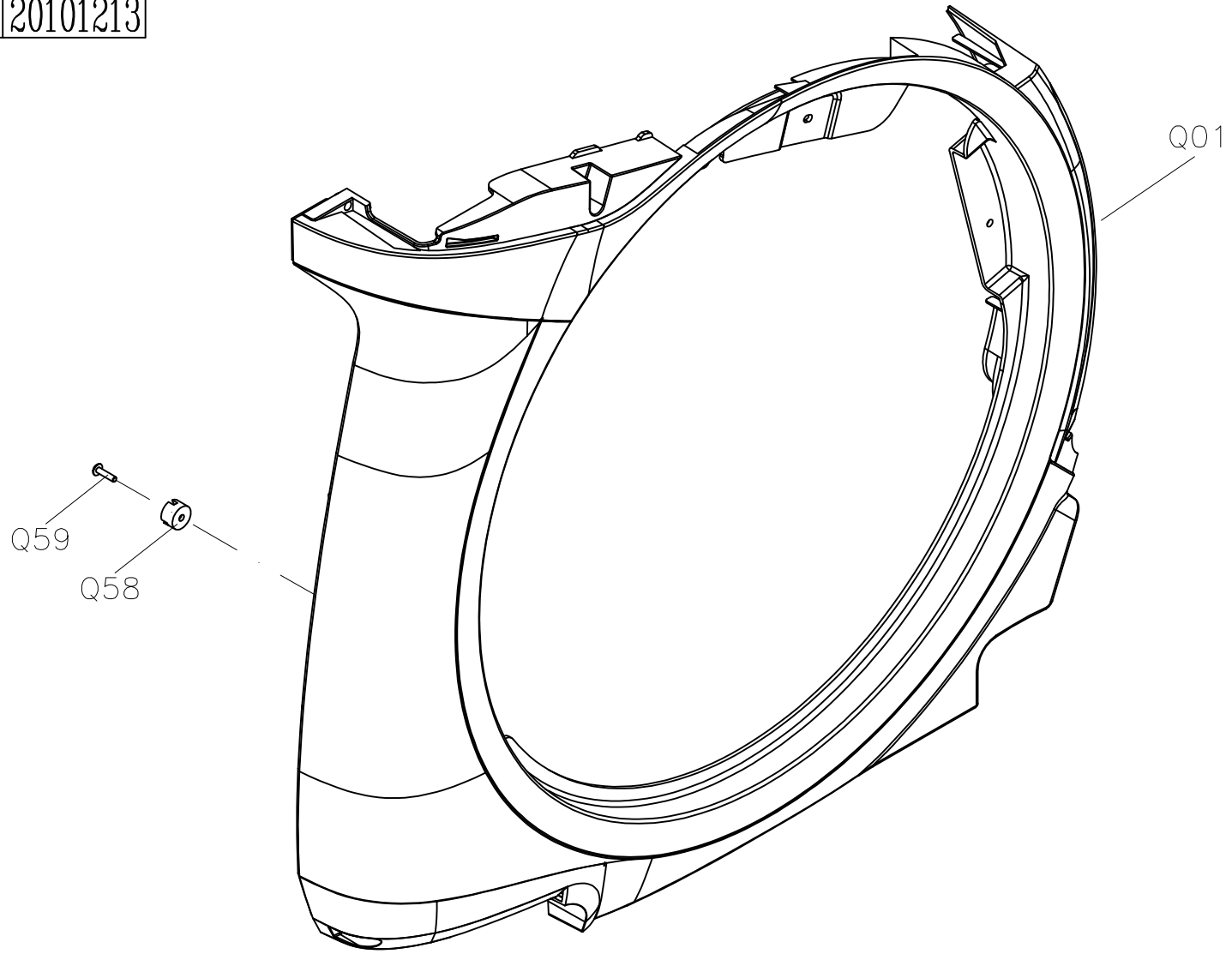
DRAWING NO	EP308-AJ13		
PART NAME	CRANK ROUND DISK SET		
PART NO	1000215874 B		
APPROVE	Tsaijw	DATE	20120204



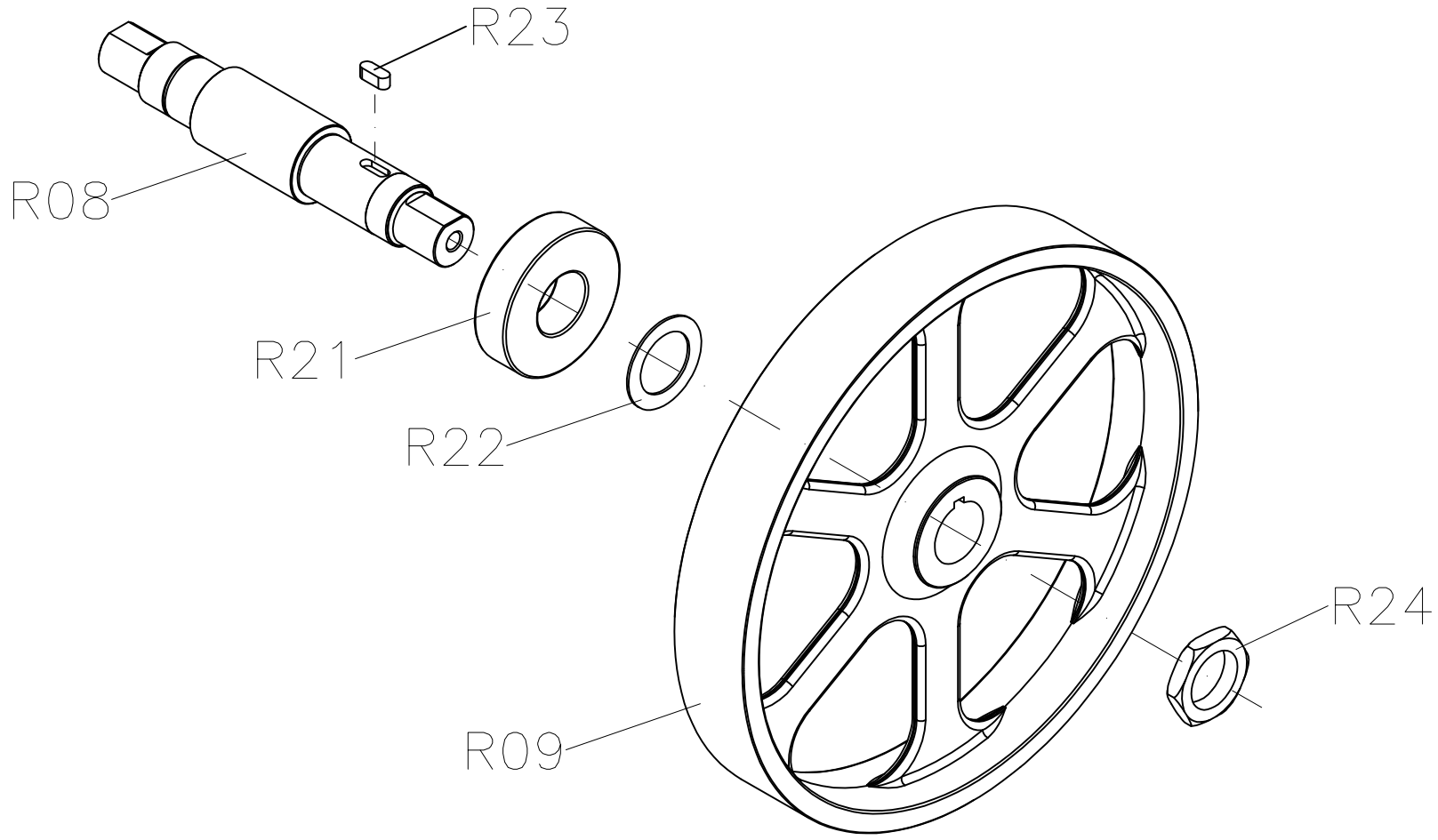
DRAWING NO	EP304-AQ11		
PART NAME	LEFT SIDE COVER SET		
PART NO	0000095068  A		
APPROVE	tsaijw	DATE	20101213



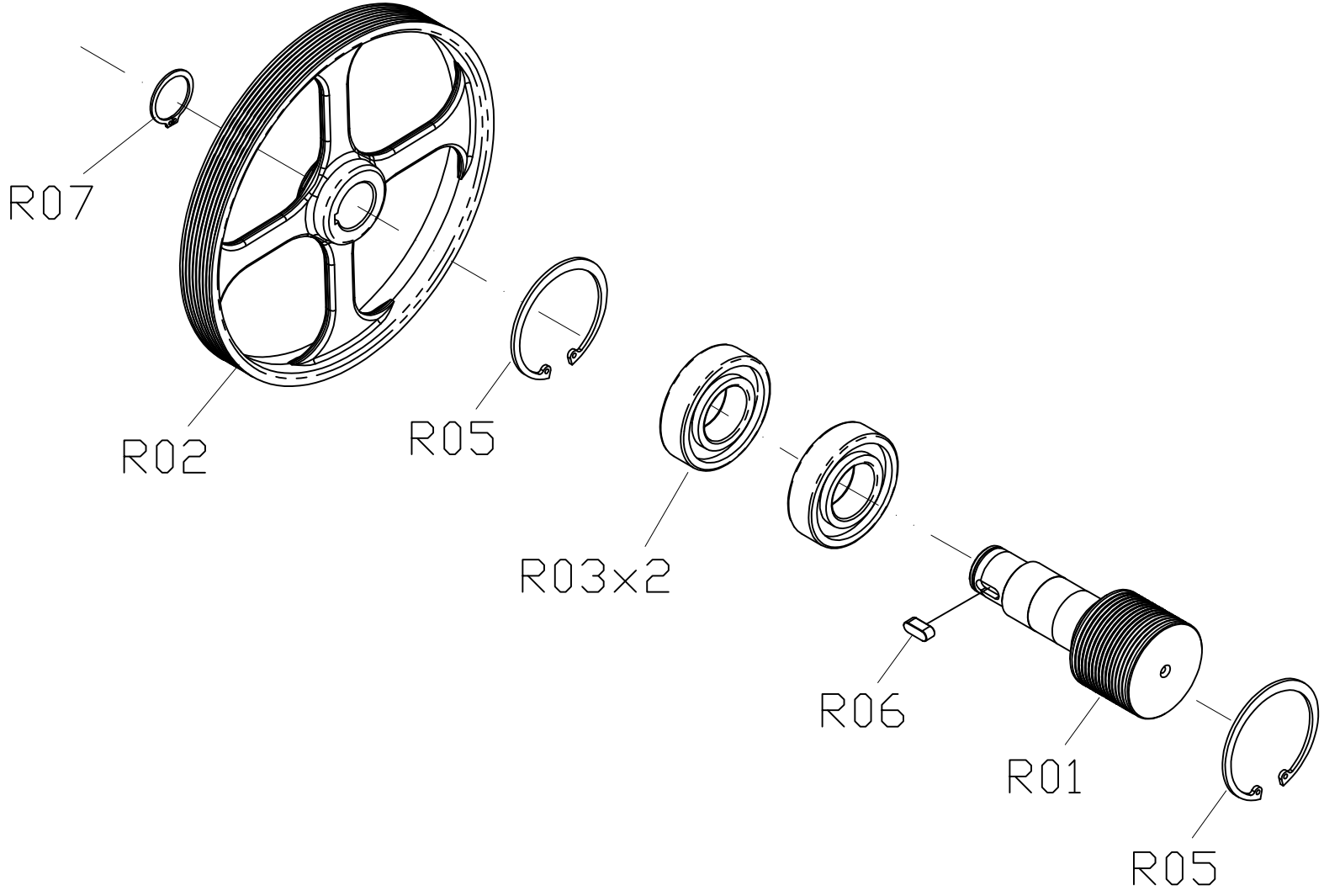
DRAWING NO	EP304-AQ12		
PART NAME	RIGHT SIDE COVER SET		
PART NO	0000095071  A		
APPROVE	tsaijw	DATE	20101213



DRAWING NO	EP304-AR5		
PART NAME	DRIVE AXLE SET		
PART NO	1000206975 R/A		
APPROVE	MAX	DATE	20101210

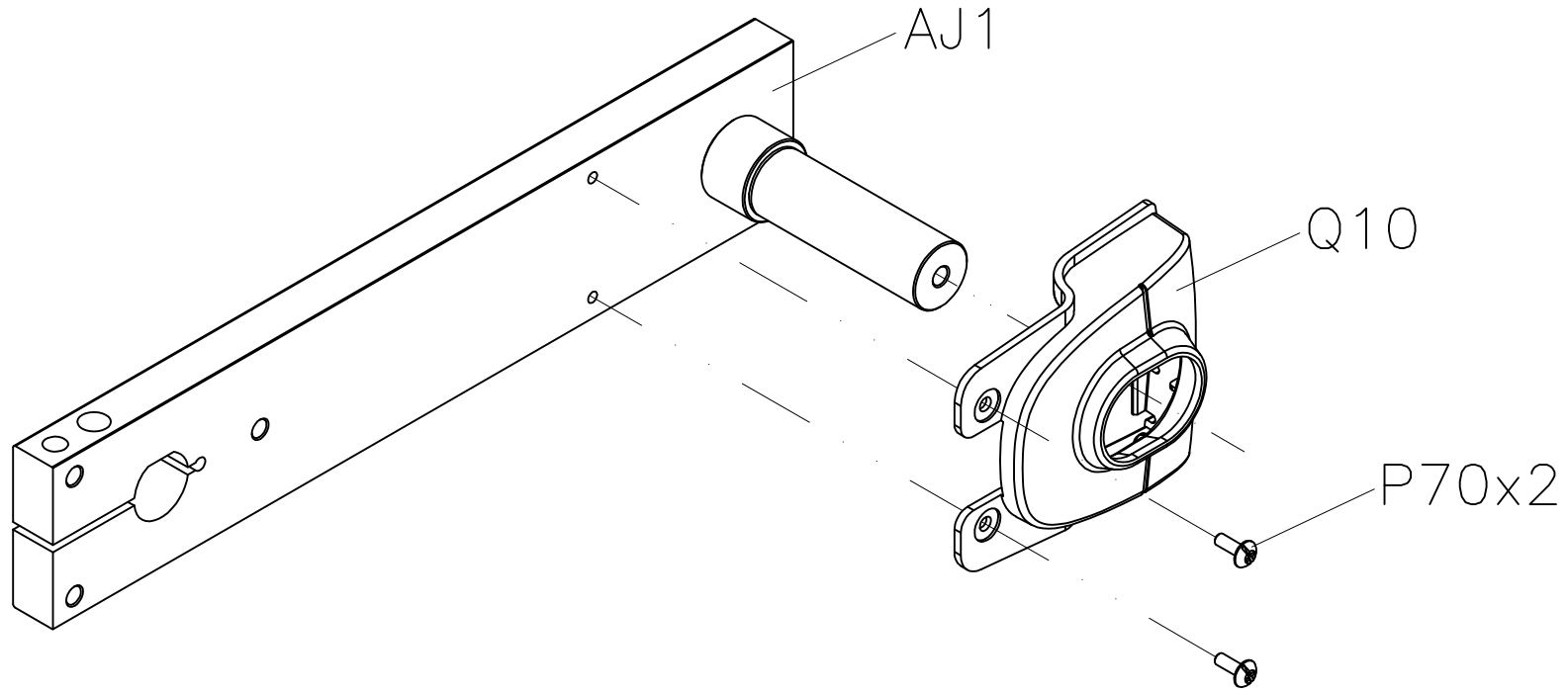


DRAWING NO	EP78-AR11		
PART NAME	PULLEY SET		
PART NO	0000089635 <small>REV</small> B		
APPROVE	tsaijw	DATE	112910

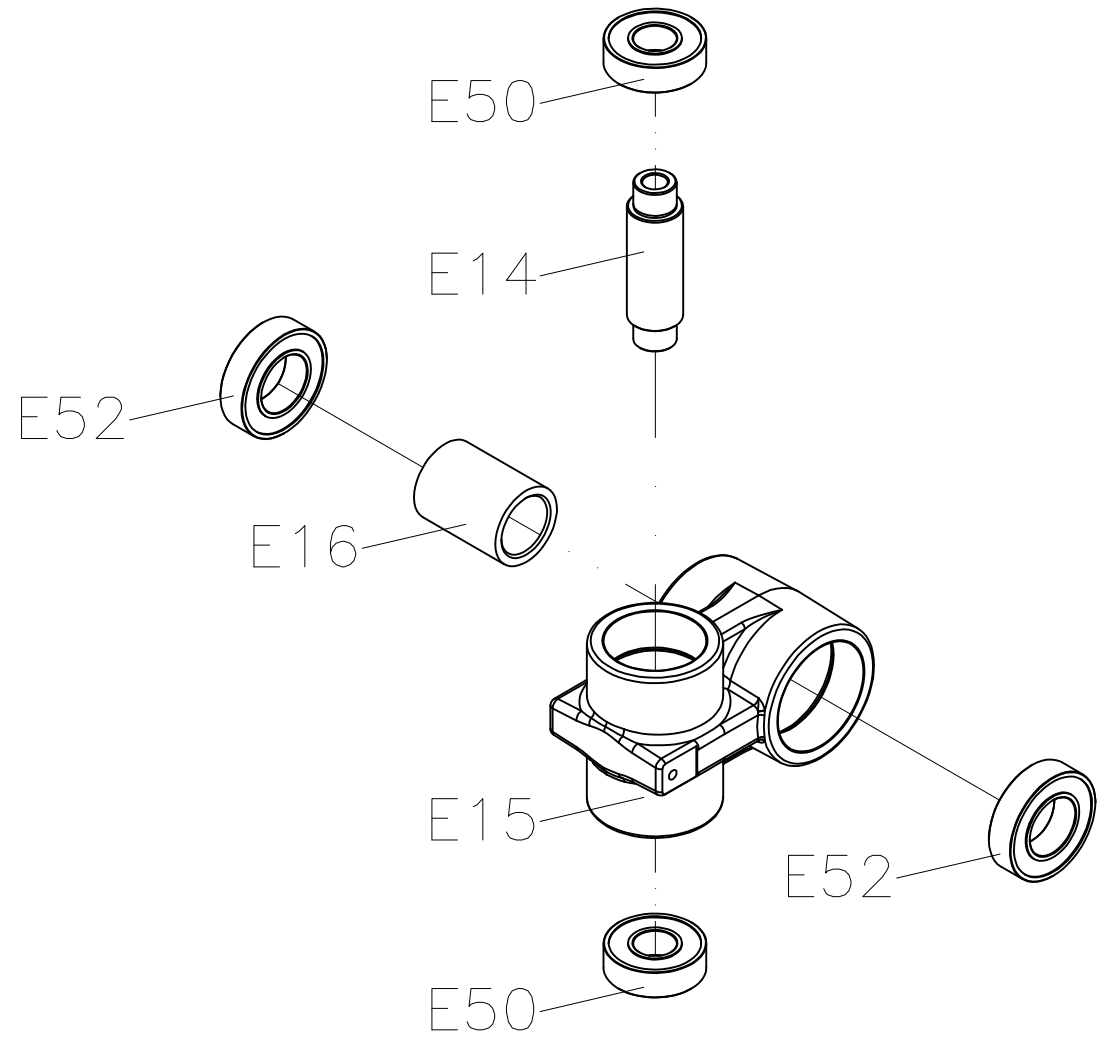




DRAWING NO	EP304-AJ12		
PART NAME	CRANK SET		
PART NO	0000095121REV B		
APPROVE	Tsaijw	DATE	20110909



DRAWING NO	EP79-AE5		
PART NAME	CRANK PIN SLEEVE SET		
PART NO	0000092274  C		
APPROVE	S.T.C	DATE	112511



DRAWING NO	EP306-AB7		
PART NAME	ADJUST ROLLER SET		
PART NO	1000212320		
APPROVE	MAX	DATE	20101210

