
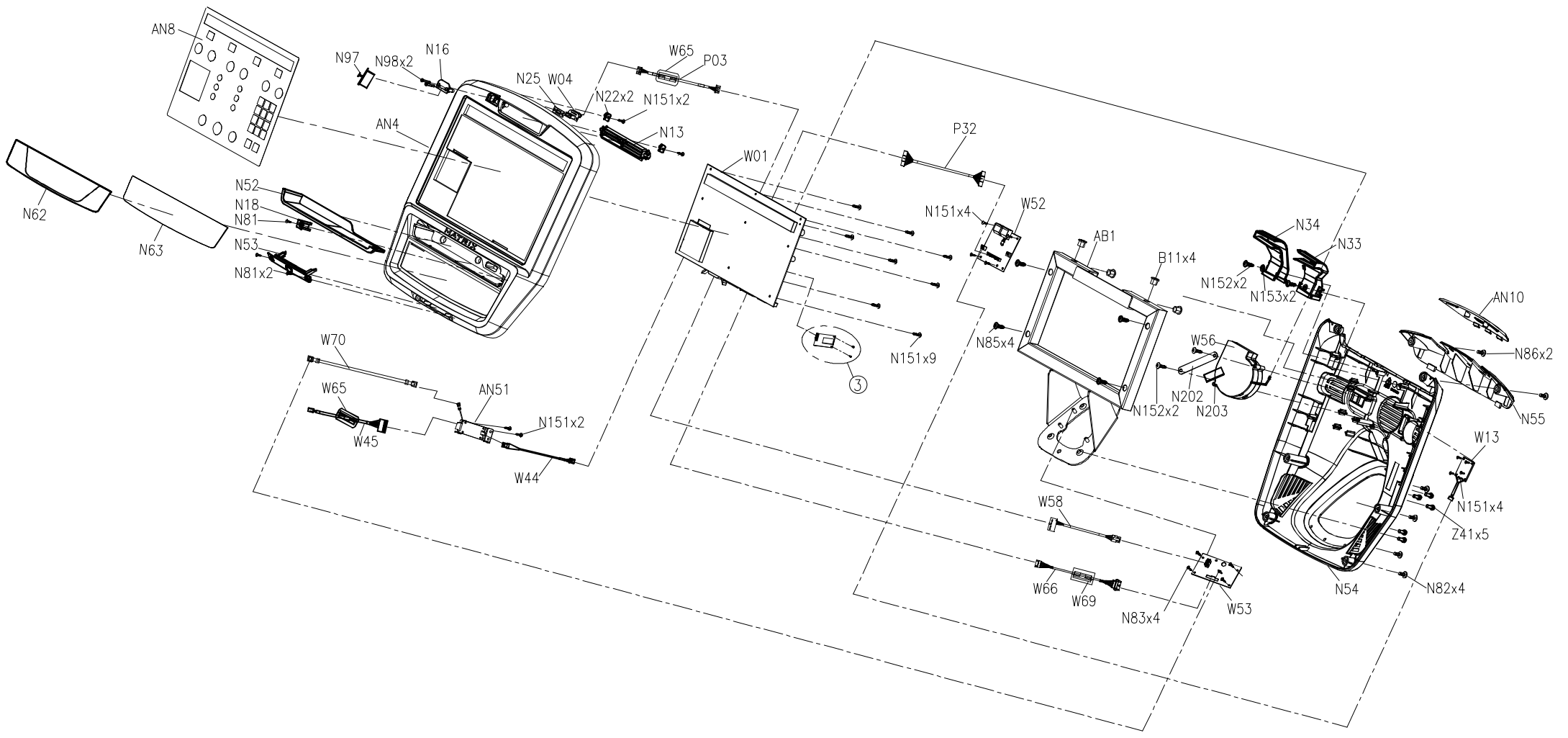
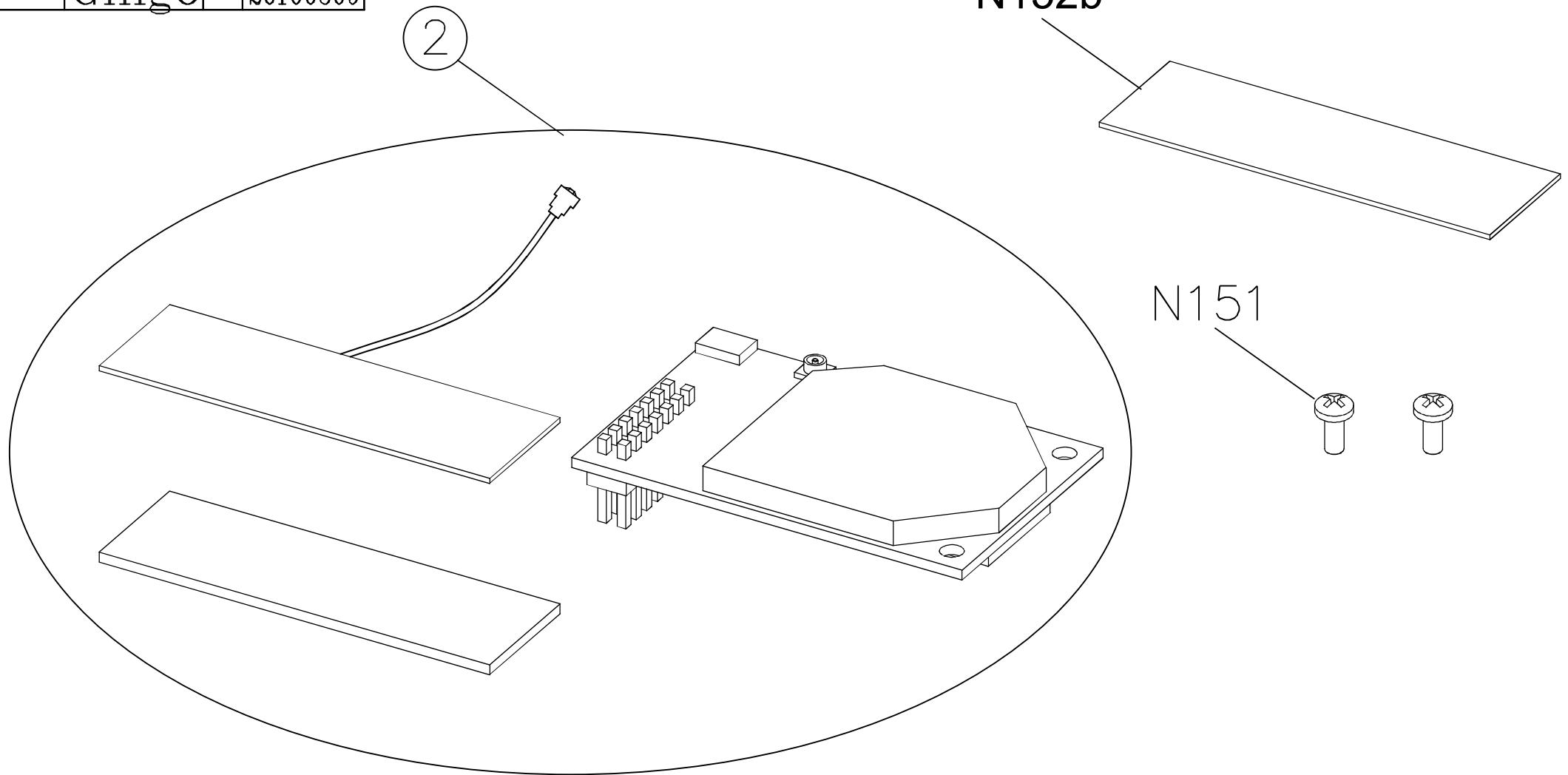


DRAWING NO	EP623B-AN11		
PART NAME	Console Set		
PART NO	1000380466  A		
APPROVE	Mike	DATE	20151214



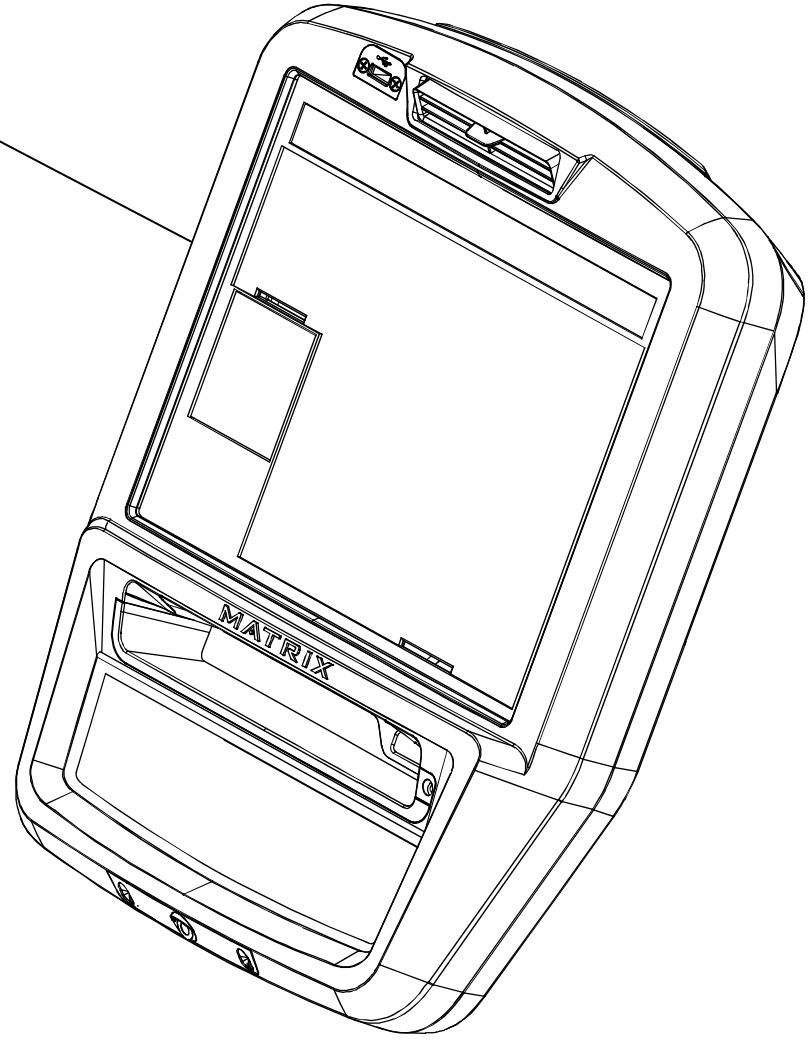
DRAWING NO	EP619B-AW31		
PART NAME	WIFI Wireless module Set		
PART NO	1000366472	01	B
APPROVE	Gingo	DATE	20160309



備註: 1. 軟體版次請見SAP

DRAWING NO	EP623B-A05		
PART NAME	Assembly View		
PART NO	1000380464	REV	A
APPROVE	Heady	DATE	20151204

21



SAP PART NO
MEP0593-00
MEP0595-00