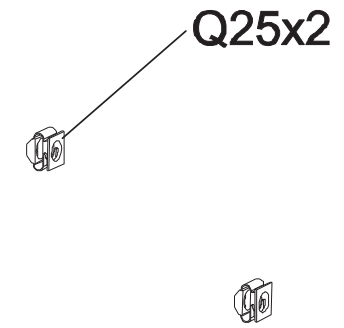
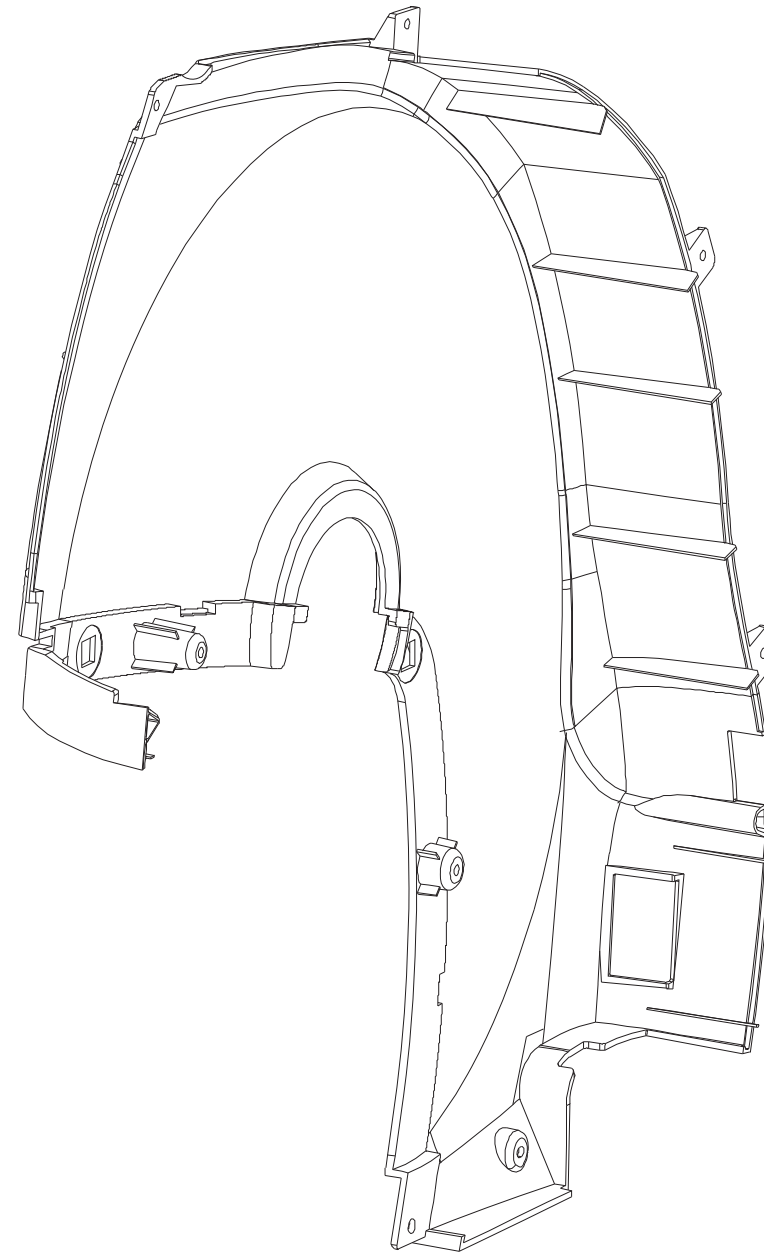
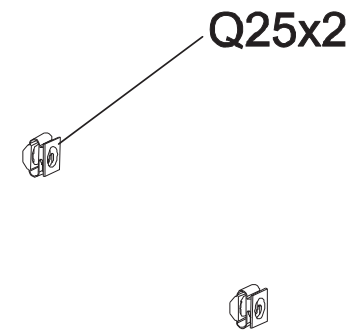
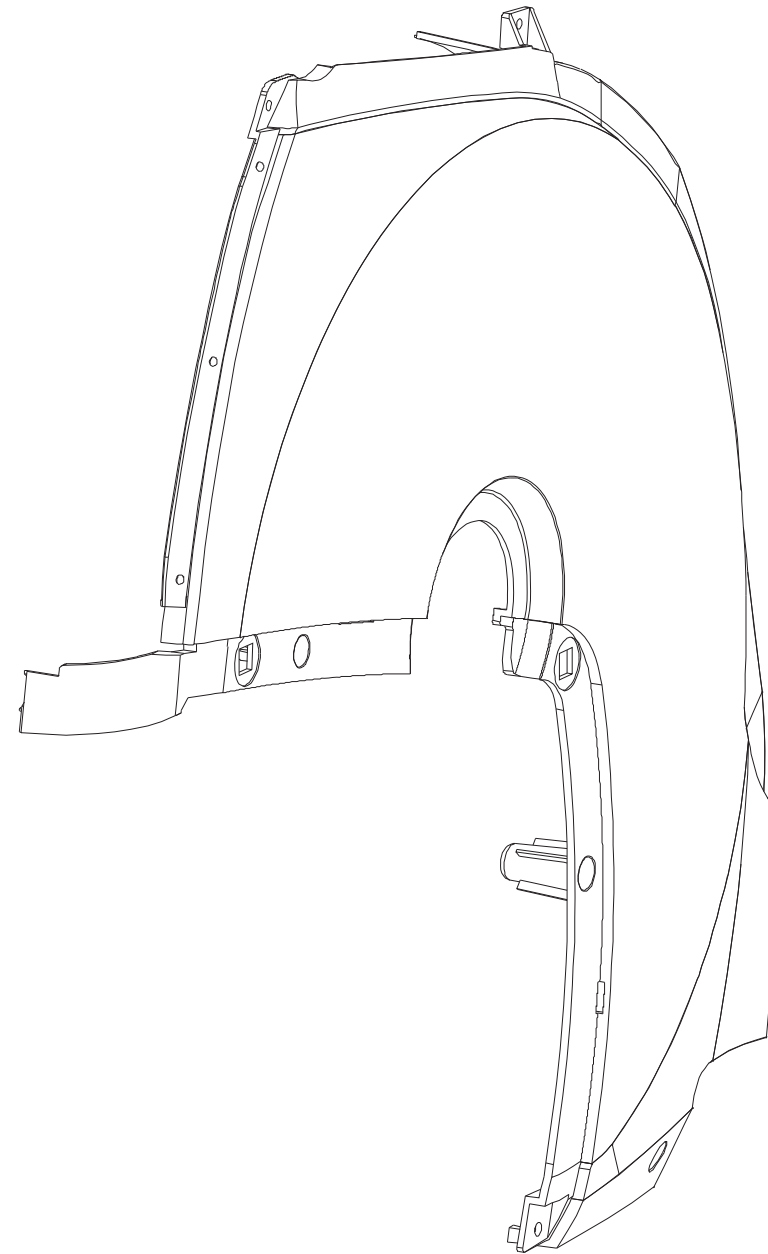




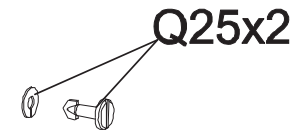
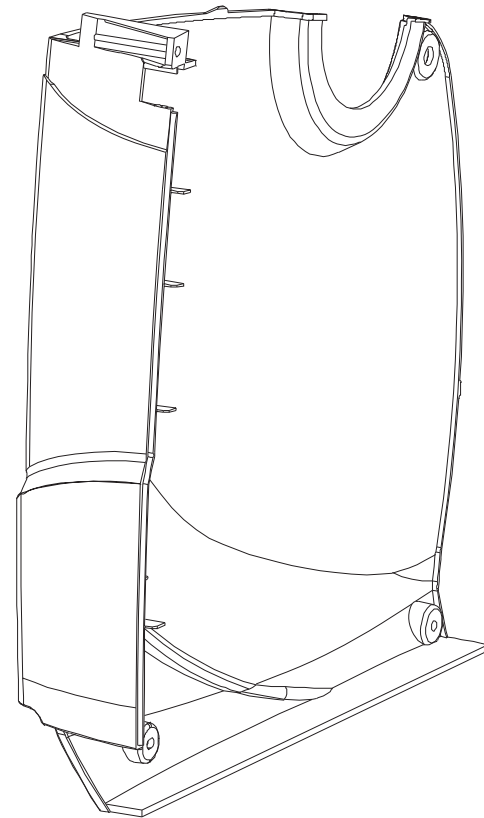
DRAWING NO	EP591-AQ1		
PART NAME	Side Cover Set;Left Up		
PART NO	1000386601	✓ MIR	A
APPROVE	XiaoKaCong	DATE	2016.05.11



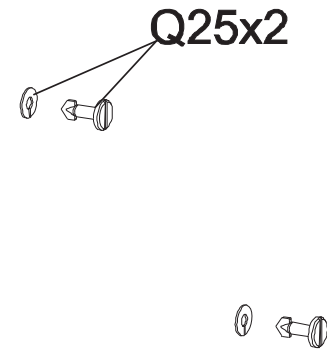
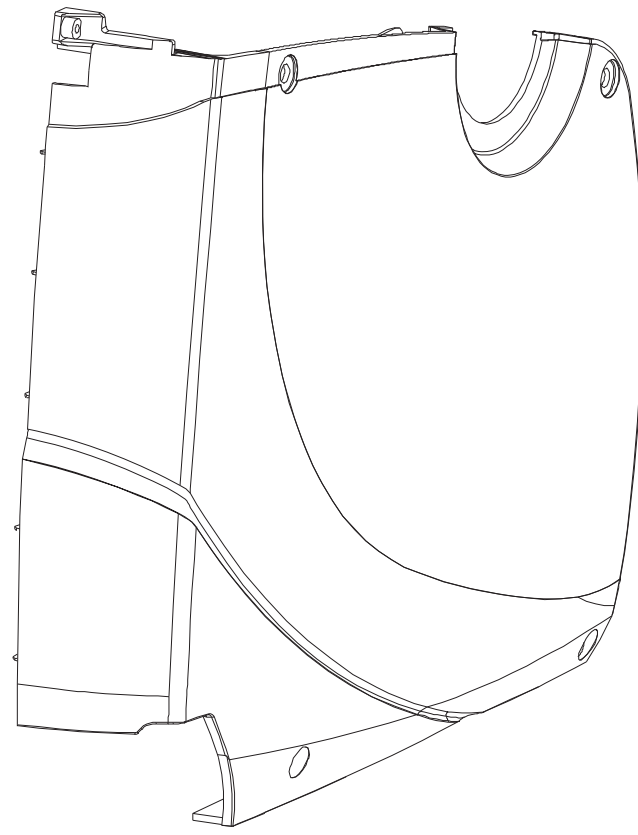
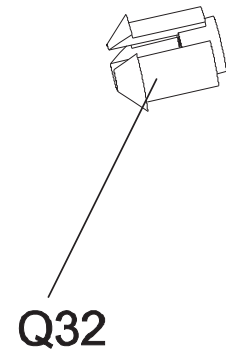
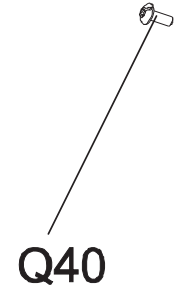
DRAWING NO	EP591-AQ2		
PART NAME	Side Cover Set;Right Up		
PART NO	1000386600	REV	A
APPROVE	Xiaokaicong	DATE	2016.05.11



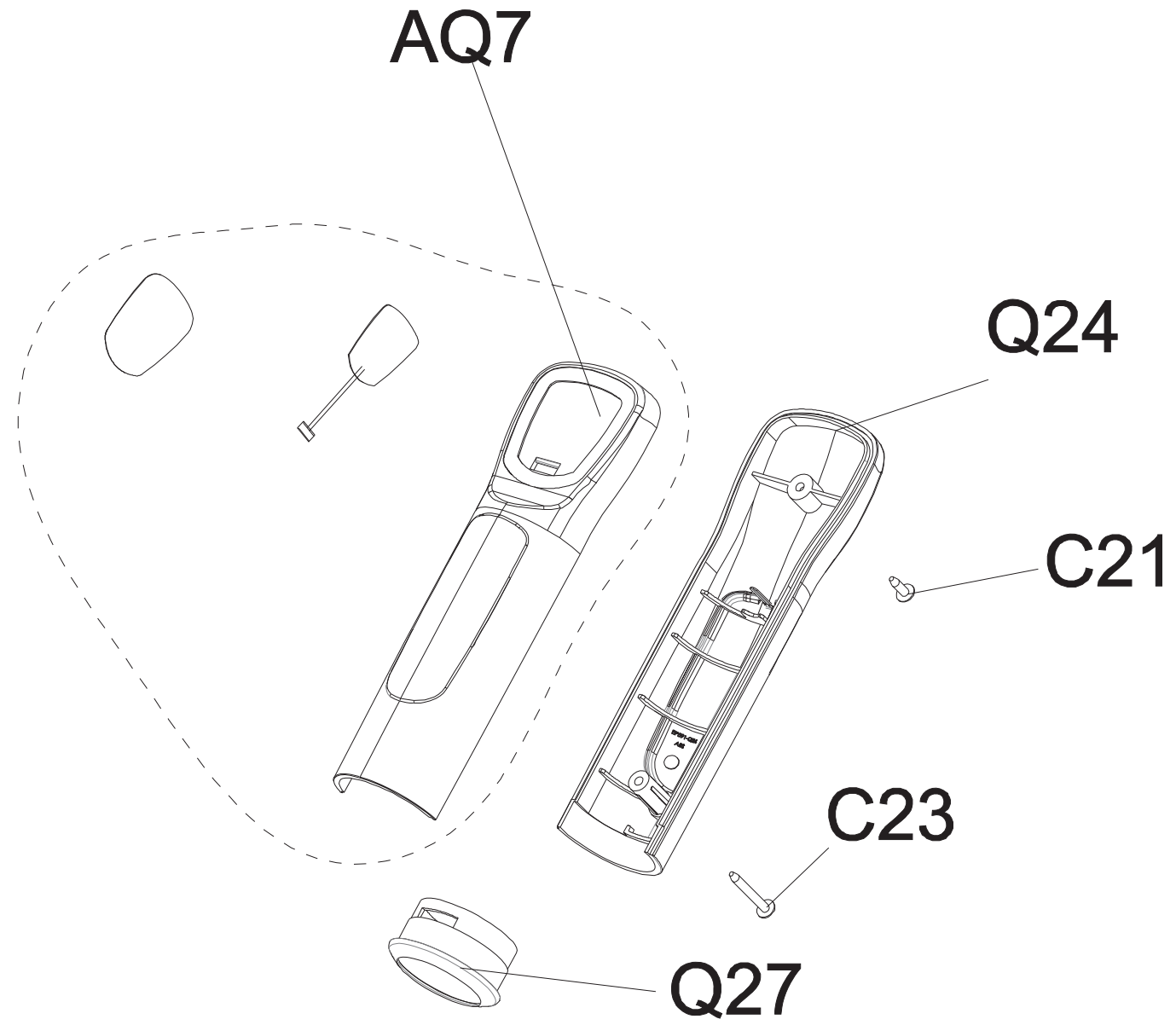
DRAWING NO	EP591-AQ6		
PART NAME	Side Cover Set;Left Down		
PART NO	1000386602	REV	A
APPROVE	Xiaokaicong	DATE	2016.8.10



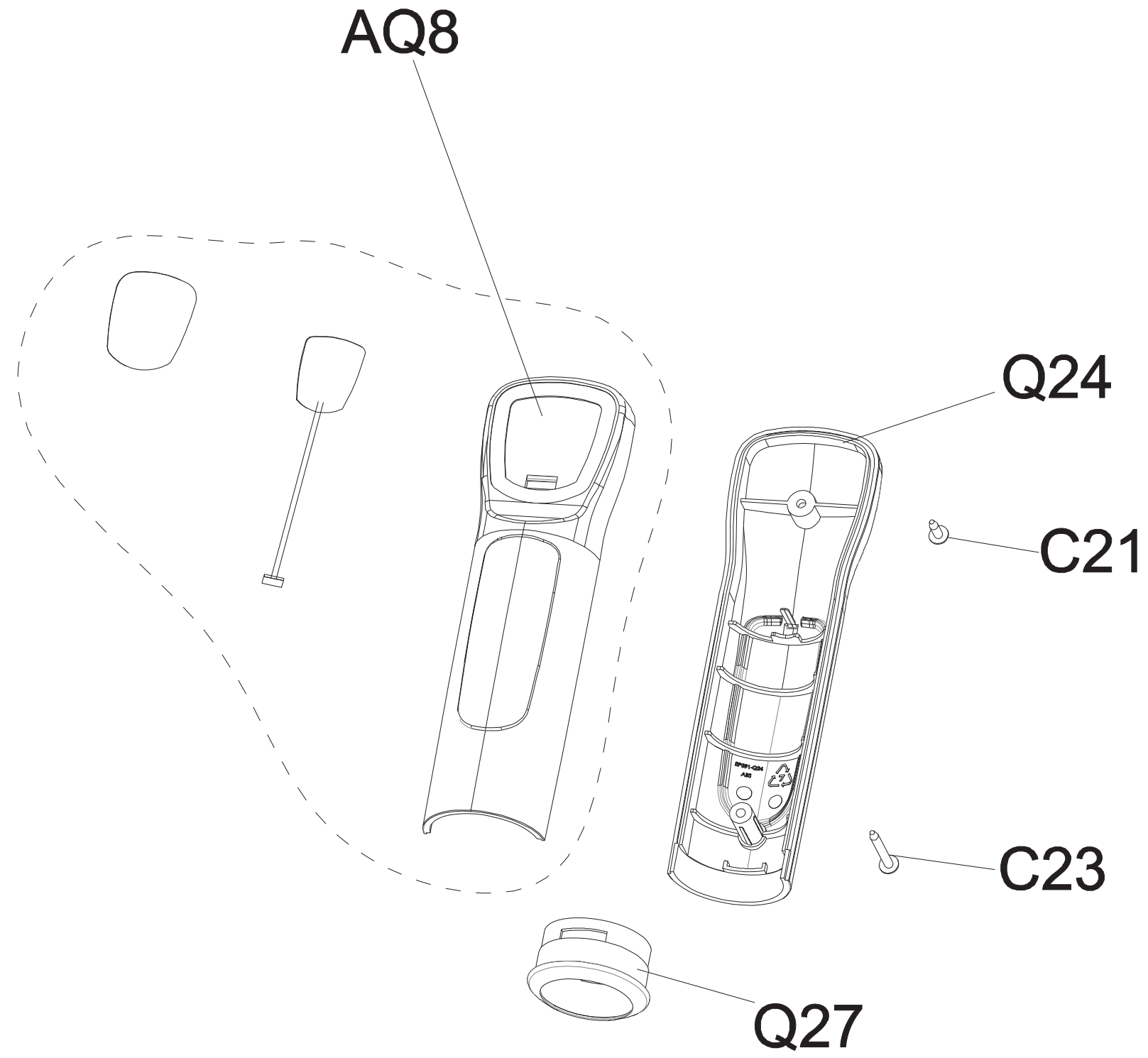
DRAWING NO	EP591-AQ5		
PART NAME	Side Cover Set;Right Down		
PART NO	1000386603	REV	A
APPROVE	Xiaokaicong	DATE	2016.8.10



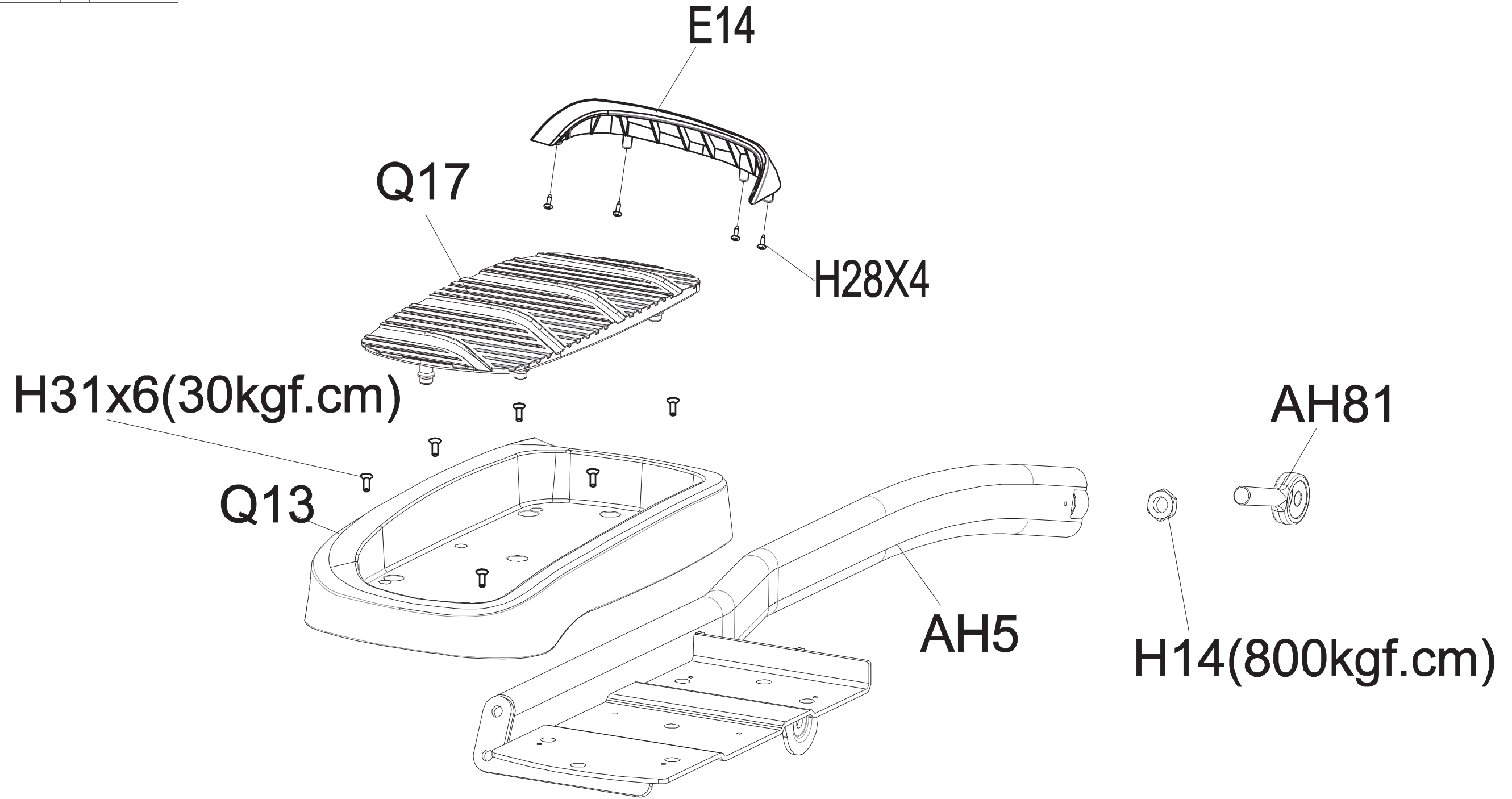
DRAWING NO	EP591-A11		
PART NAME	Hand Pulse Grip Set;Left		
PART NO	1000399195	REV	A
APPROVE	Xiaokaicong	DATE	2016.9.12



DRAWING NO	EP591-A12		
PART NAME	Hand Pulse Grip Set;Right		
PART NO	1000399197	REV	A
APPROVE	Xiaokaicong	DATE	2016.9.12



DRAWING NO	EP591-A15		
PART NAME	Link Arm Set;Left		
PART NO	1000399216	REV	B
APPROVE	zhengxuming	DATE	2017.6.16



DRAWING NO	EP591-A16		
PART NAME	Link Arm Set;Right		
PART NO	1000399217	B	
APPROVE	zhengxuming	DATE	2017.6.16

