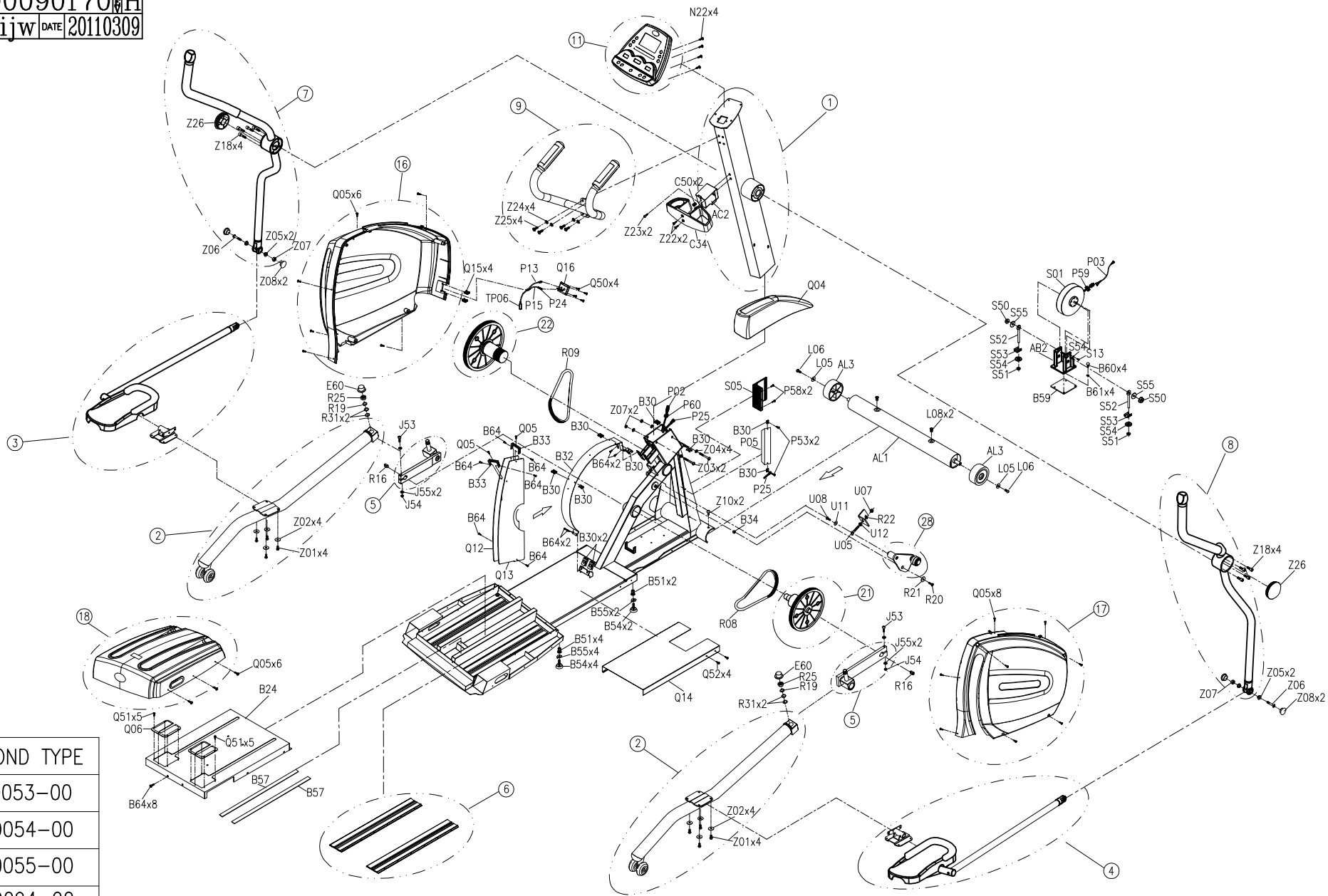
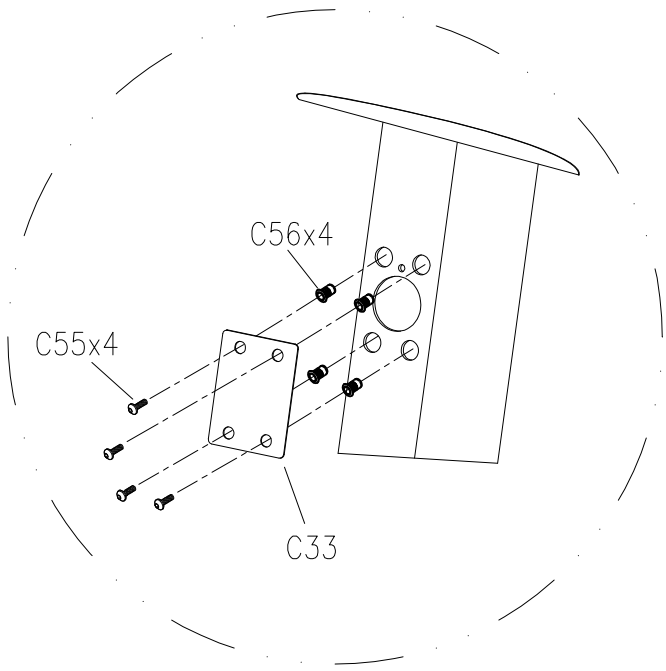
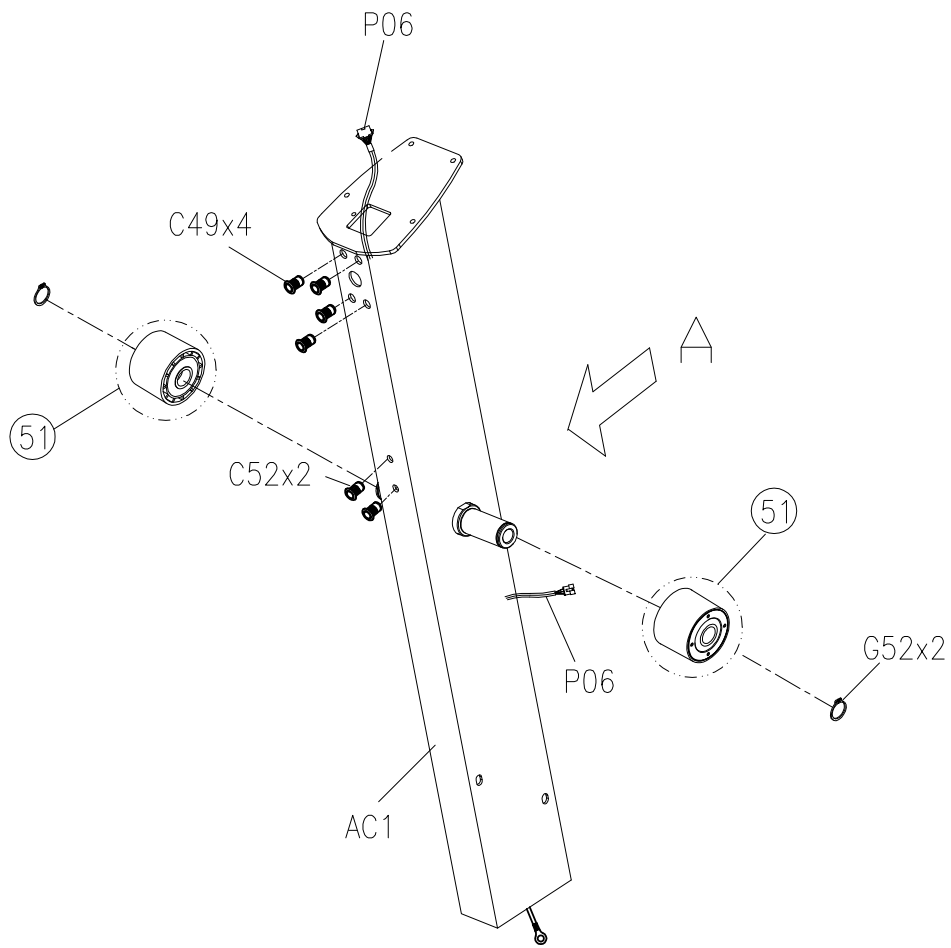


DRAWING NO	EP95-A04		
PART NAME	EXPLODED DRAWING		
PART NO	0000090170 H		
APPROVE	Tsaijw	DATE	20110309

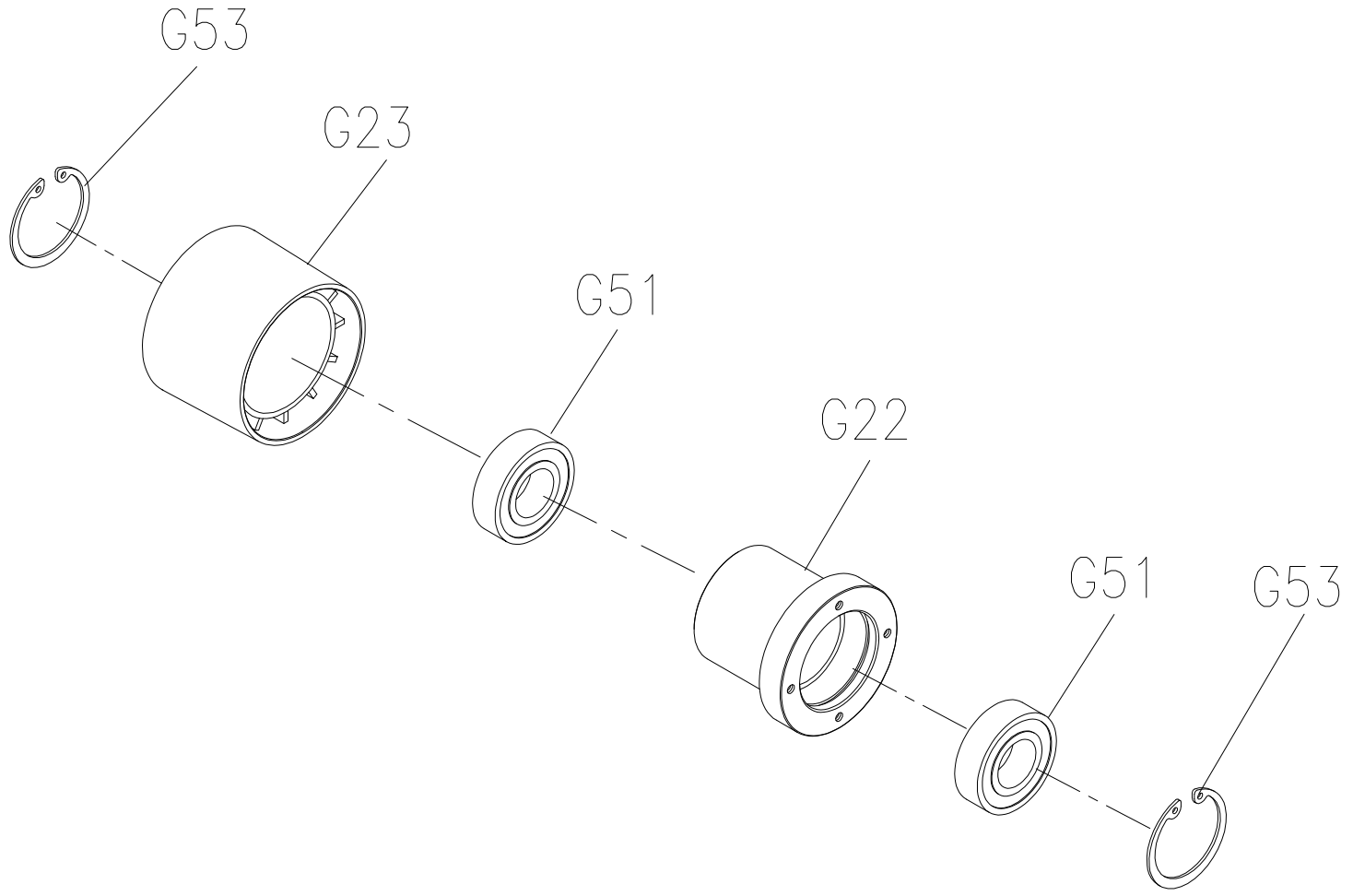


COMMOND TYPE
MEP0053-00
MEP0054-00
MEP0055-00
MEP0094-00

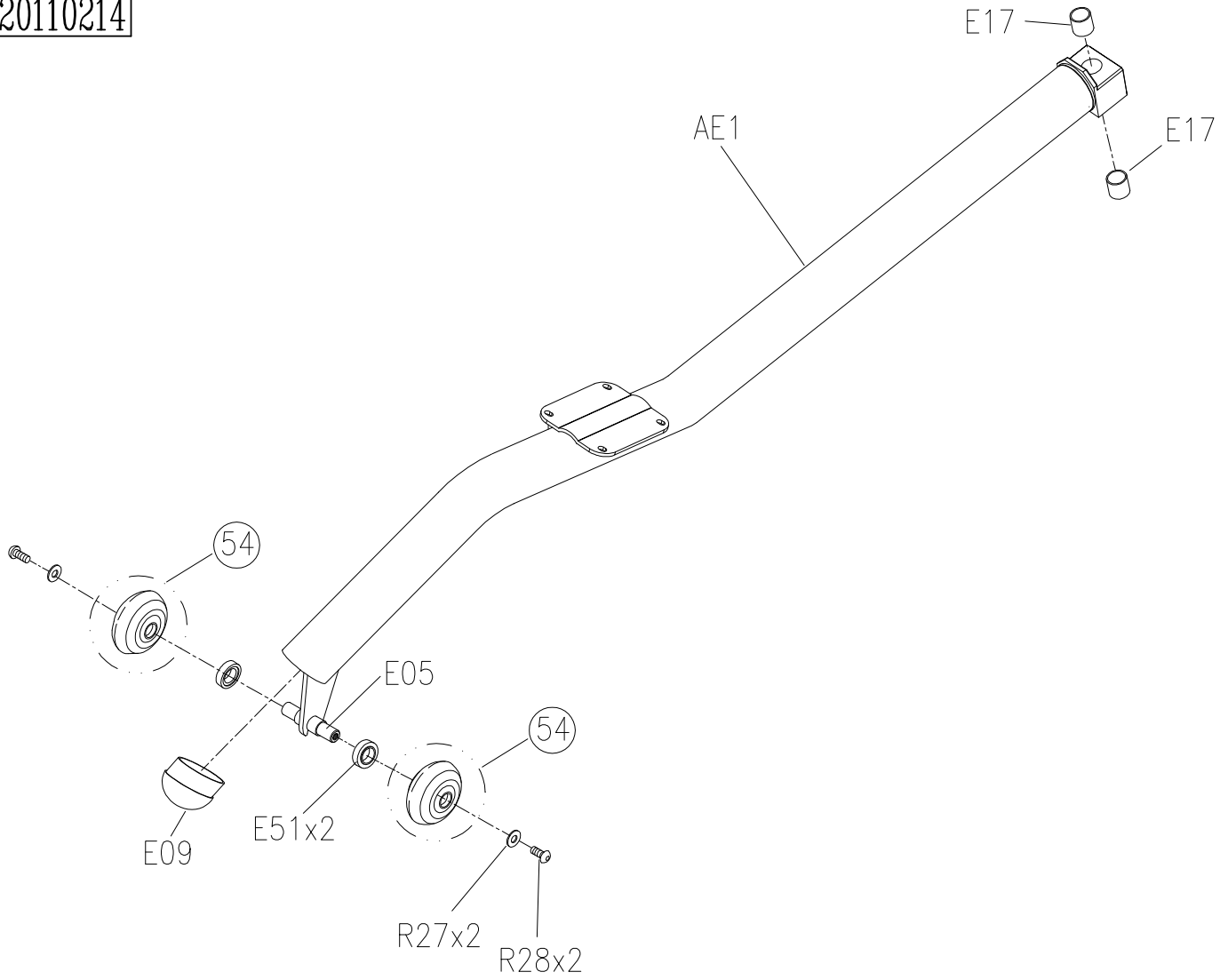
DRAWING NO	EP95-AC4		
PART NAME	CONSOLE MAST SET		
PART NO	0000090174		
APPROVE	Tsaijw	DATE	20110218



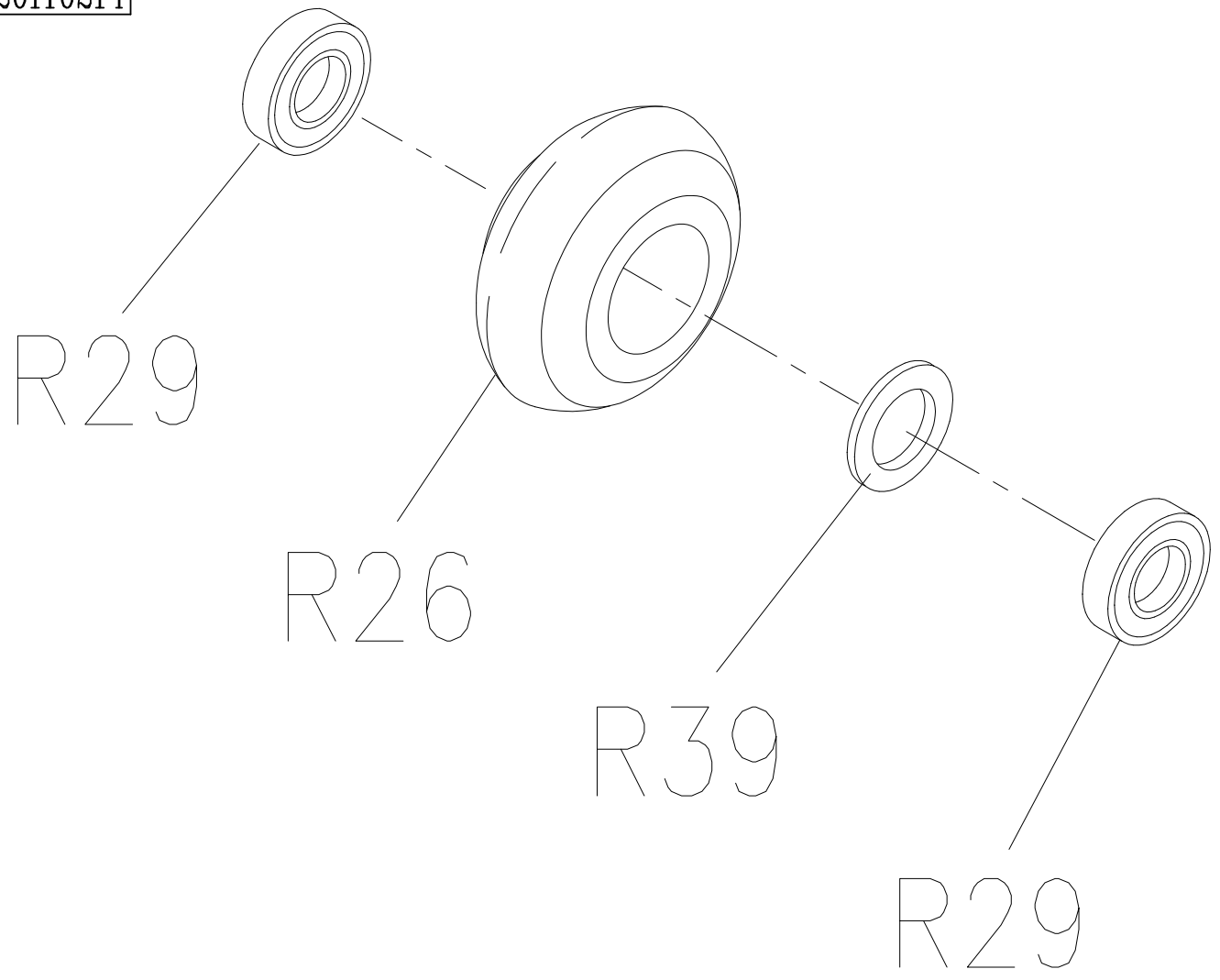
DRAWING NO	EP95-AG15		
PART NAME	ARM REST CON BLOCK		
PART NO	0000090178		
APPROVE	Tsaijw	DATE	20110216



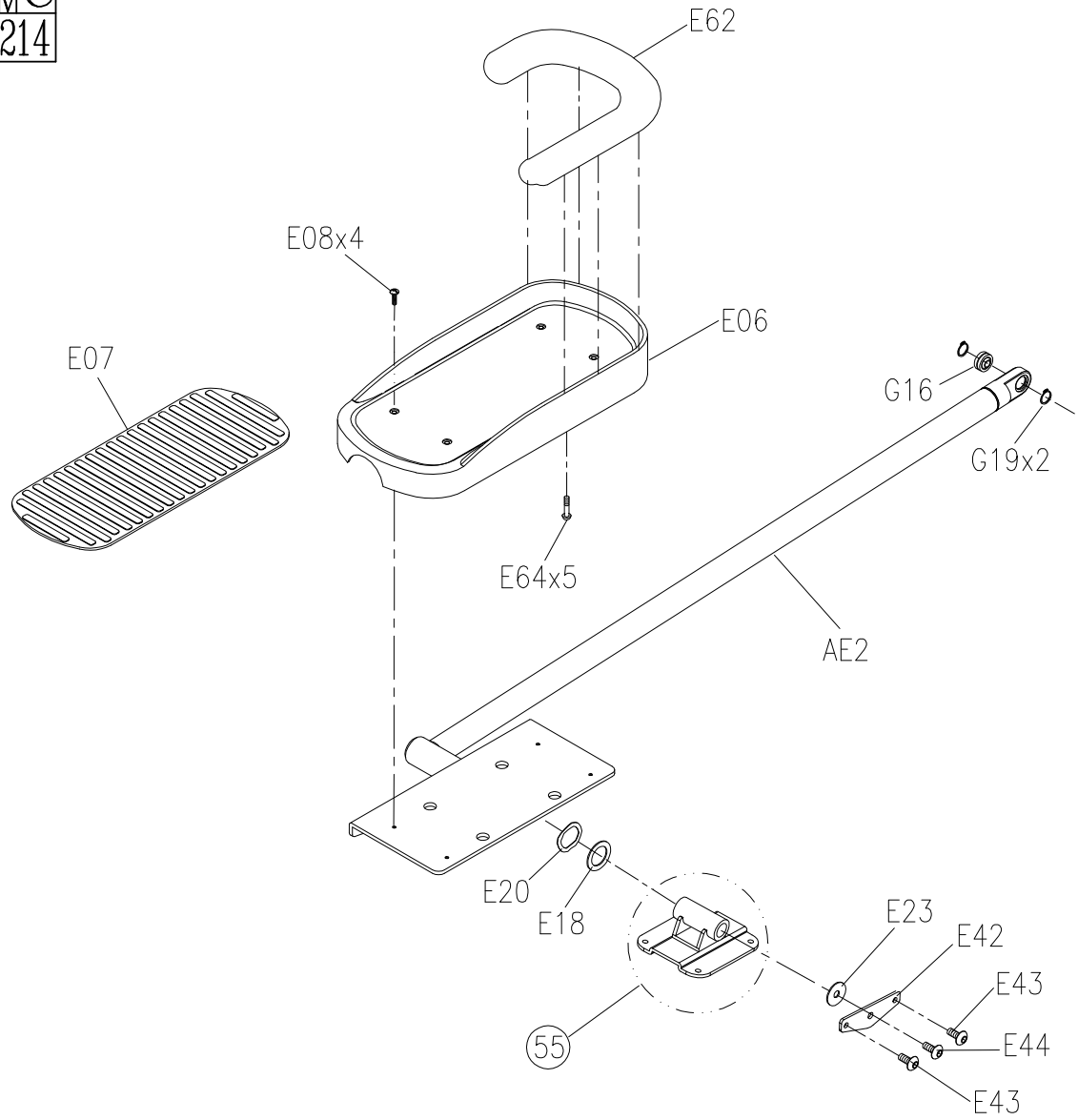
DRAWING NO	EP95-AE5		
PART NAME	PEDAL ARM SET		
PART NO	0000090188	REV	C
APPROVE	Tsaijw	DATE	20110214



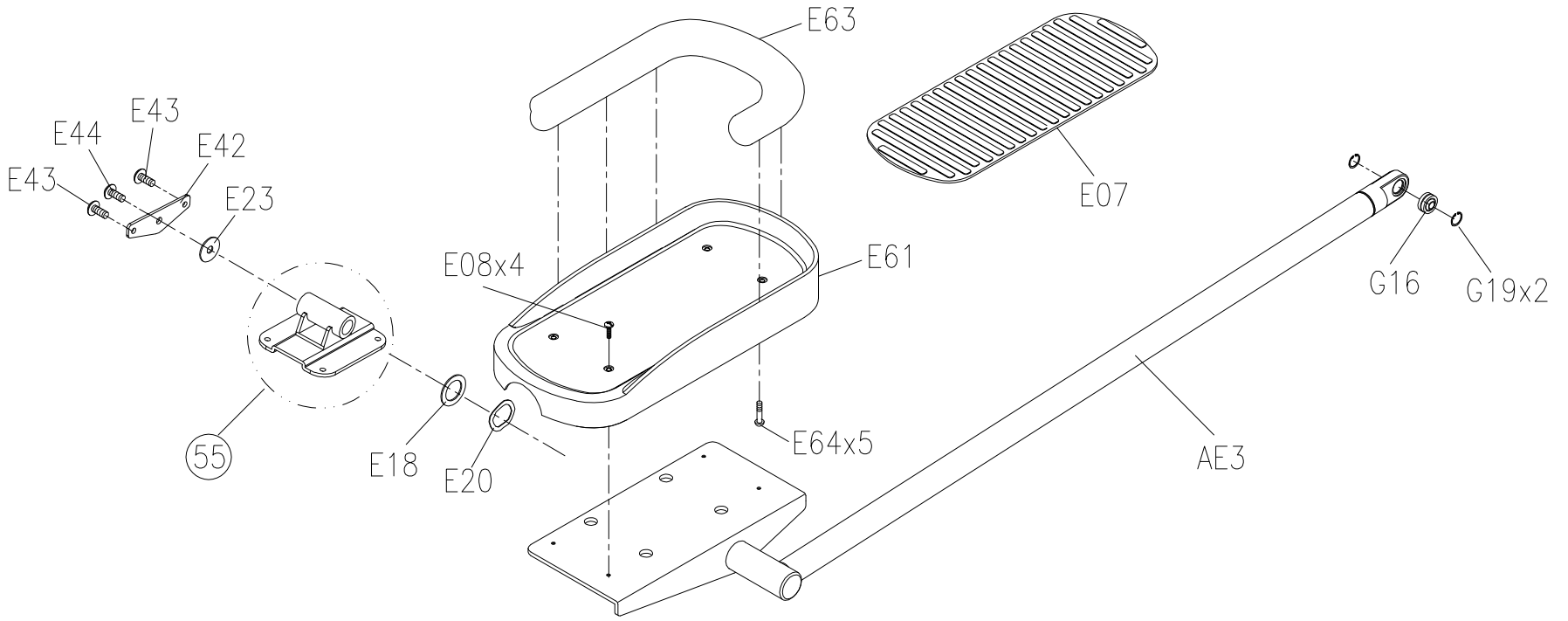
DRAWING NO	EP95-AE9		
PART NAME	ROLLER SET		
PART NO	0000096003	REV	B
APPROVE	Tsaijw	DATE	20110214



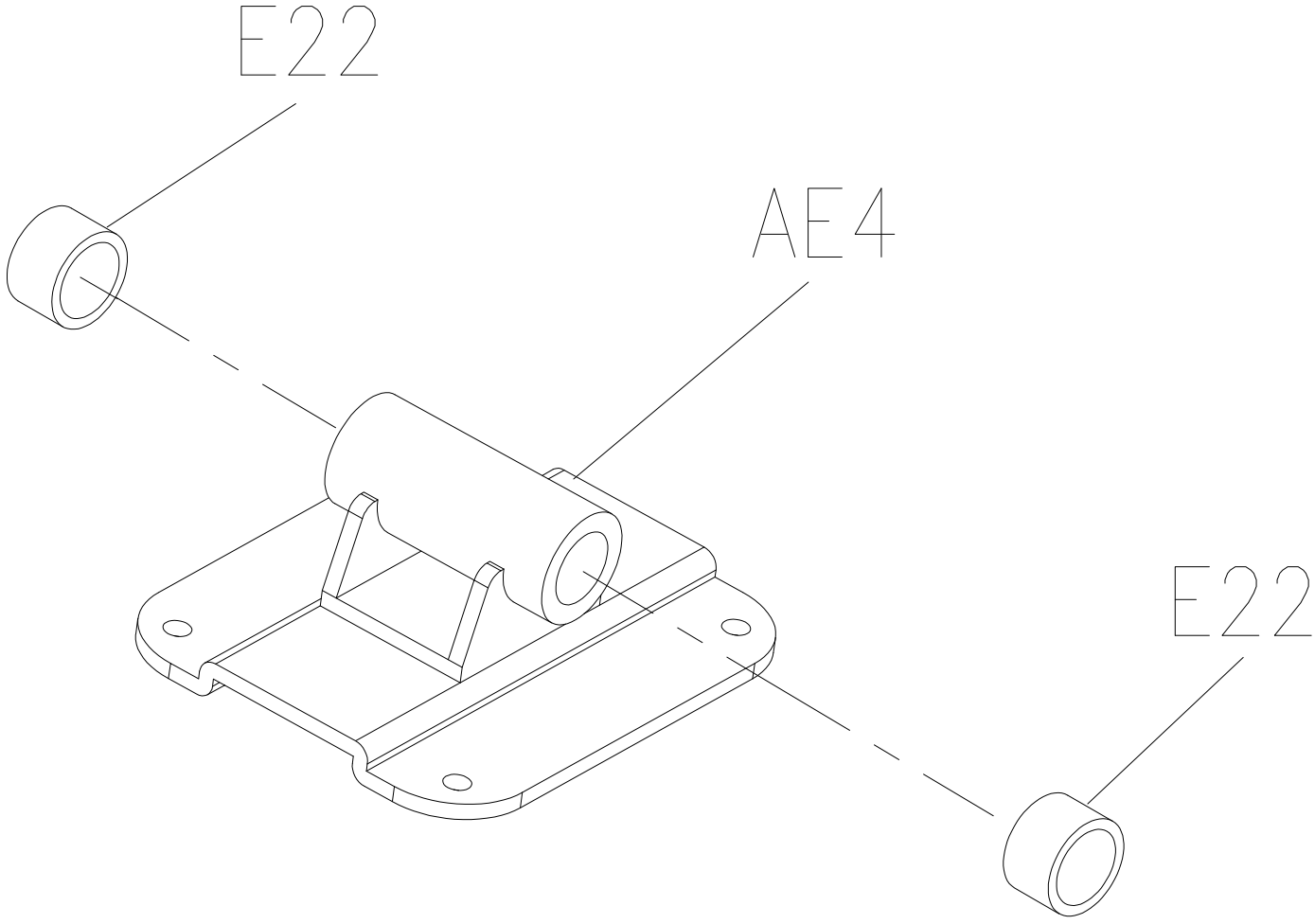
DRAWING NO	EP95-AE6		
PART NAME	LEFT PDEAL SET		
PART NO	0000090190	REV	C
APPROVE	Tsaijw	DATE	20110214



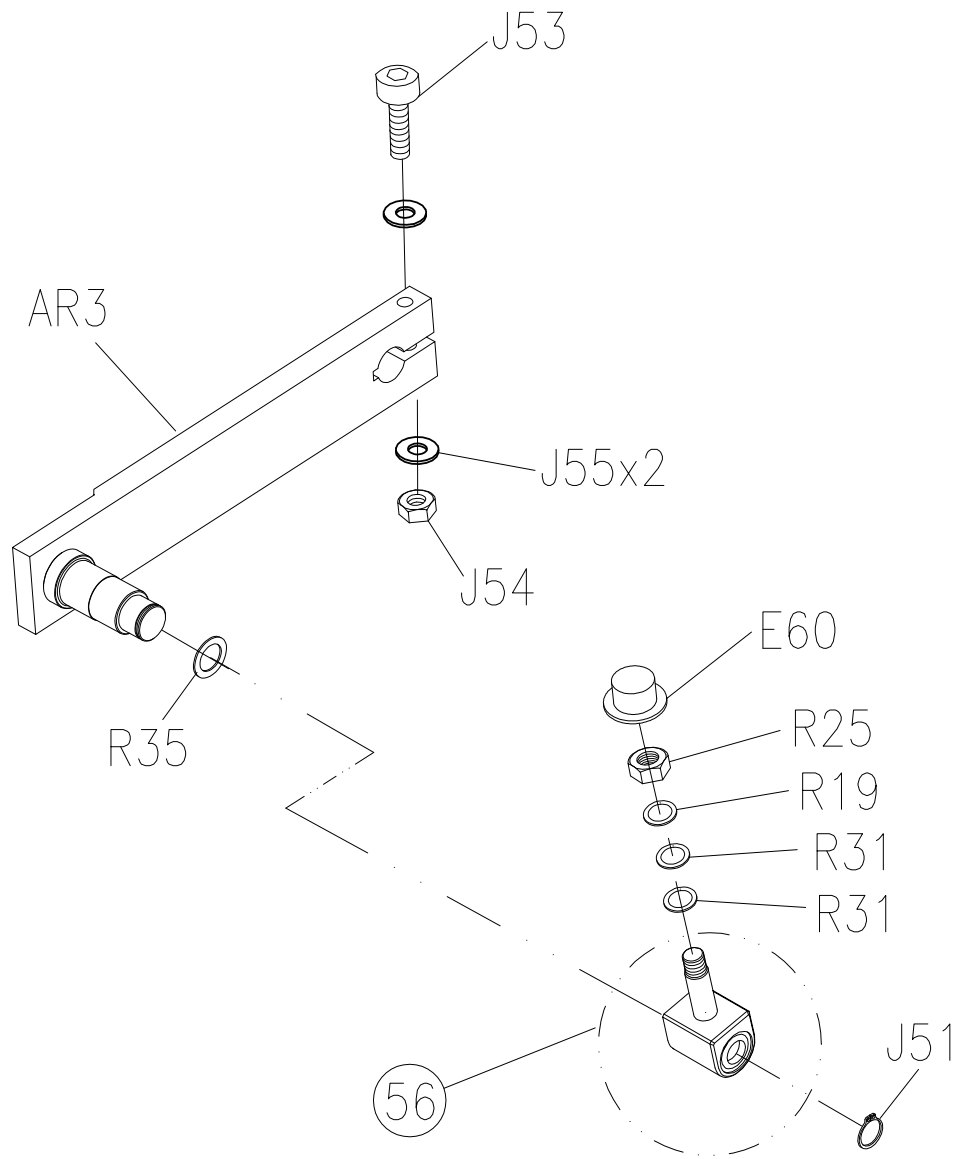
DRAWING NO	EP95-AE7		
PART NAME	RIGHT PEDEAL SET		
PART NO	0000090192		C
APPROVE	Tsaijw	DATE	20110214



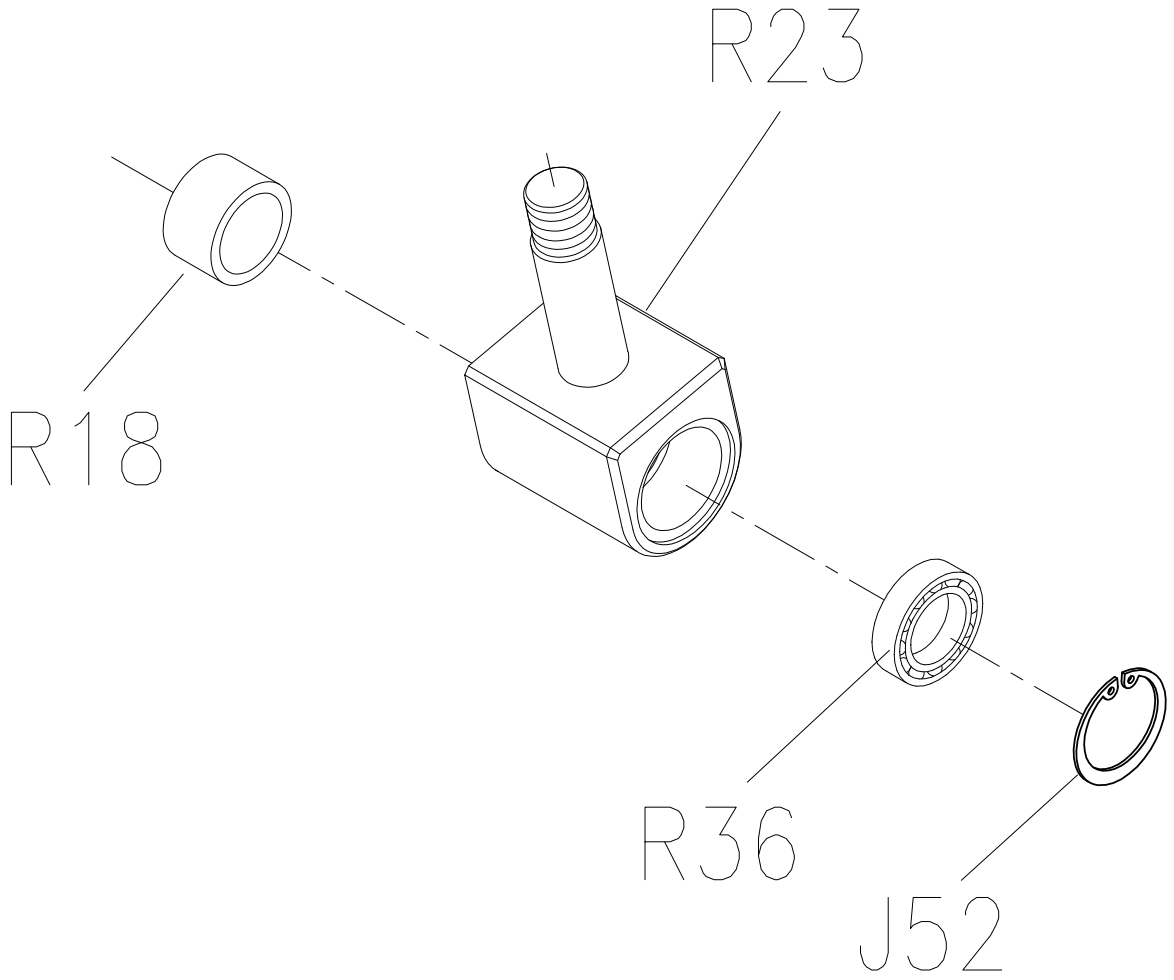
DRAWING NO	EP95-AE11		
PART NAME	CON Base Set;L/R		
PART NO	0000090195		
APPROVE	Tsaijw	DATE	20110214



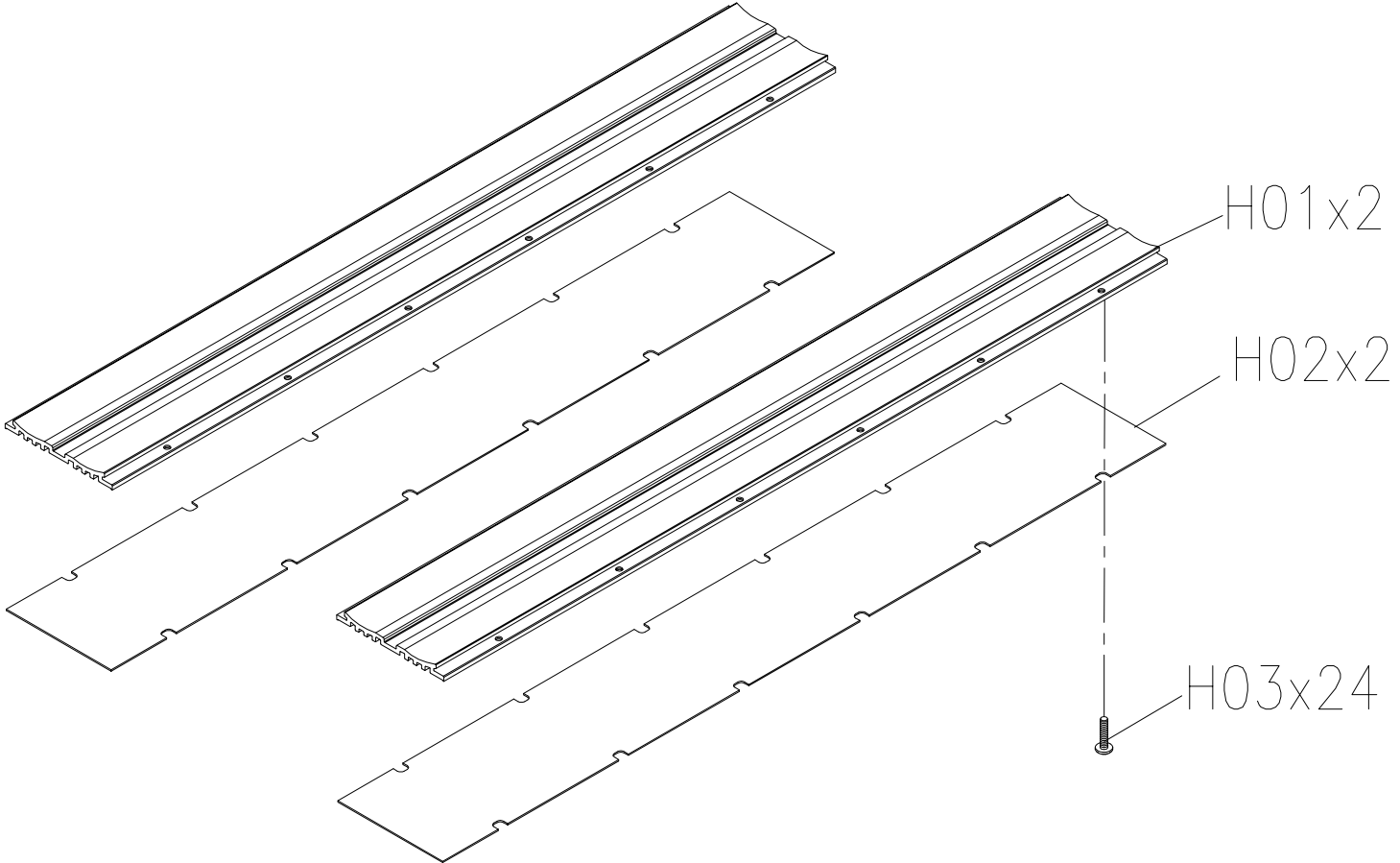
DRAWING NO 圖號	EP95-AR5
PART NAME(CH) 零件名稱(中文)	曲柄 + 銷套組
PART NAME(EN) 零件名稱(英文)	Crank+PIN SLEEVE SET
SAP PART NO SAP料號	0000090198 B



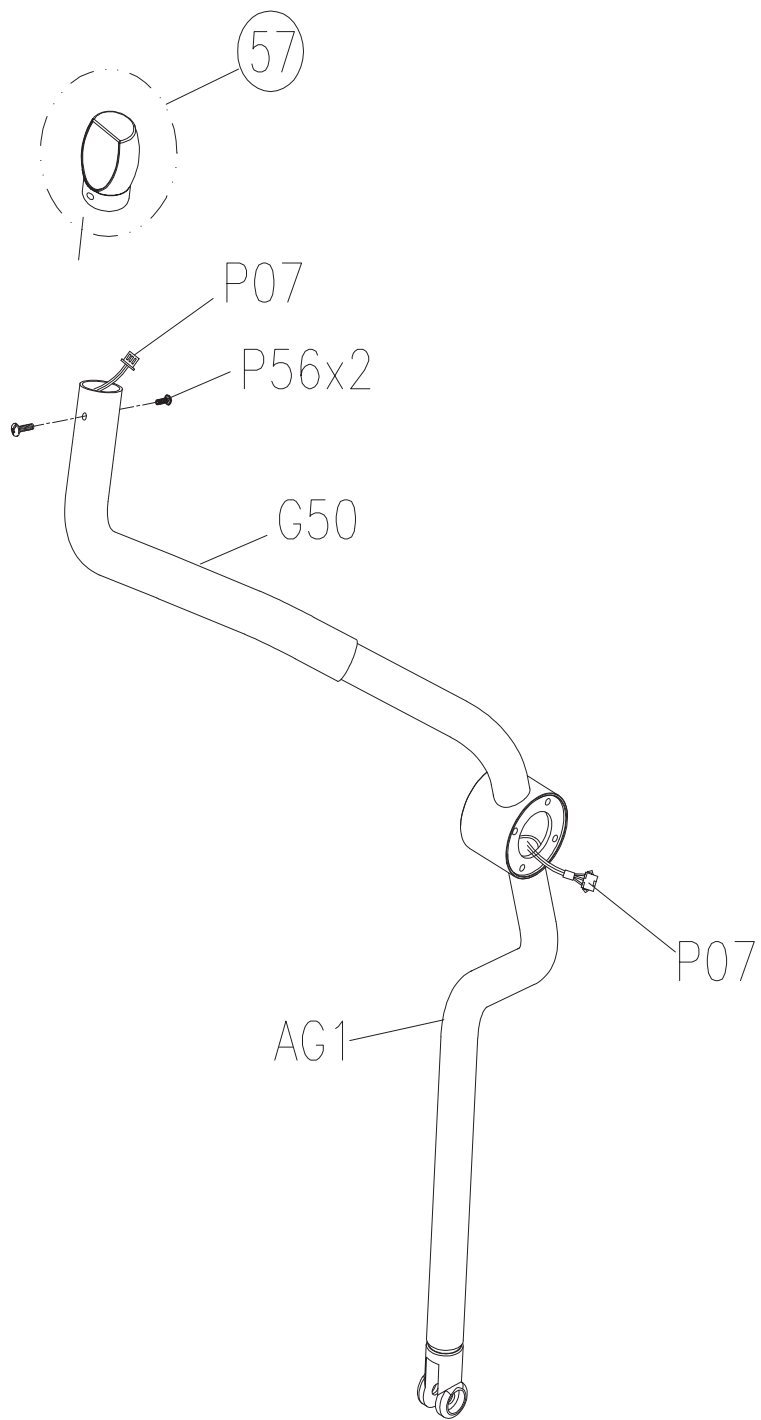
DRAWING NO	EP95-AE12		
PART NAME	CRANK PIN SLEEVE SET		
PART NO	0000090199		B
APPROVE	Tsaijw	DATE	20110216



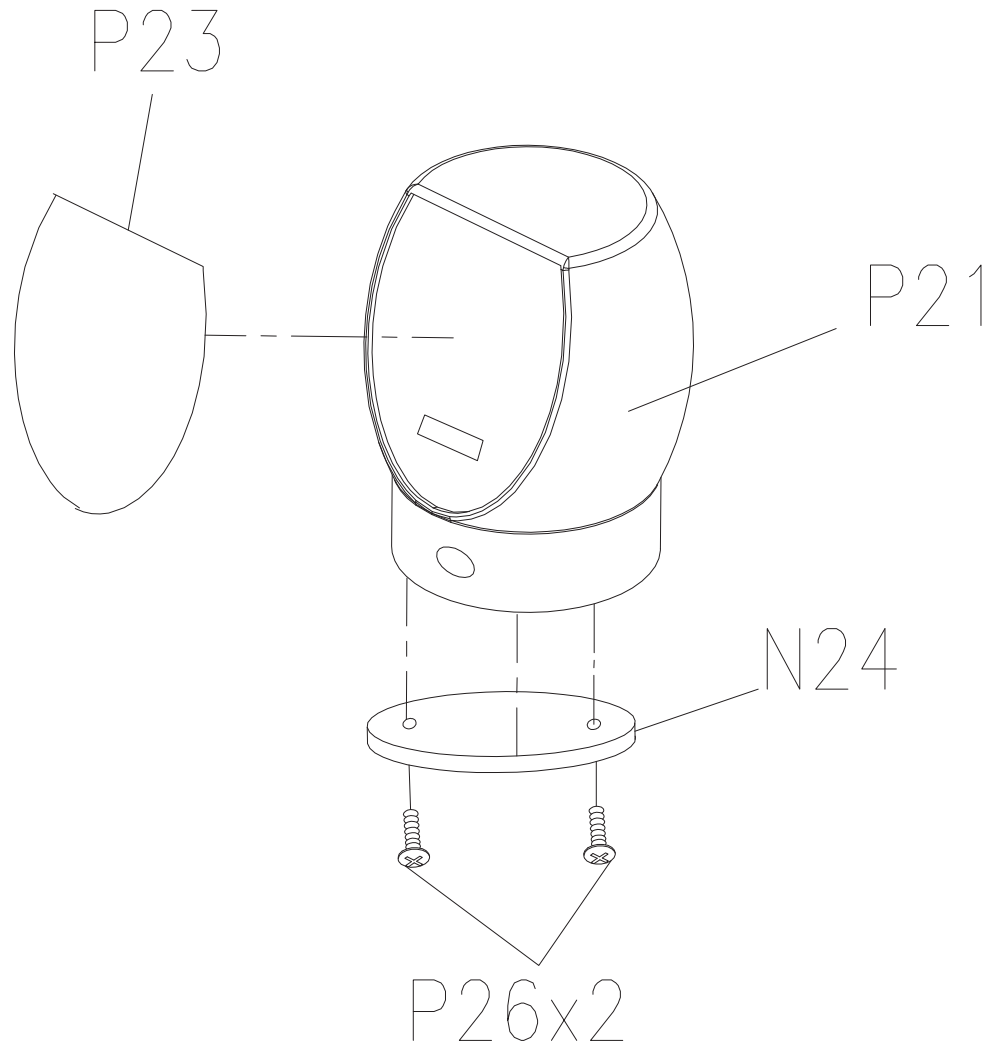
DRAWING NO	EP95-AH1		
PART NAME	RAIL SET		
PART NO	0000090585	REV	C
APPROVE	Tsaijw	DATE	20110216



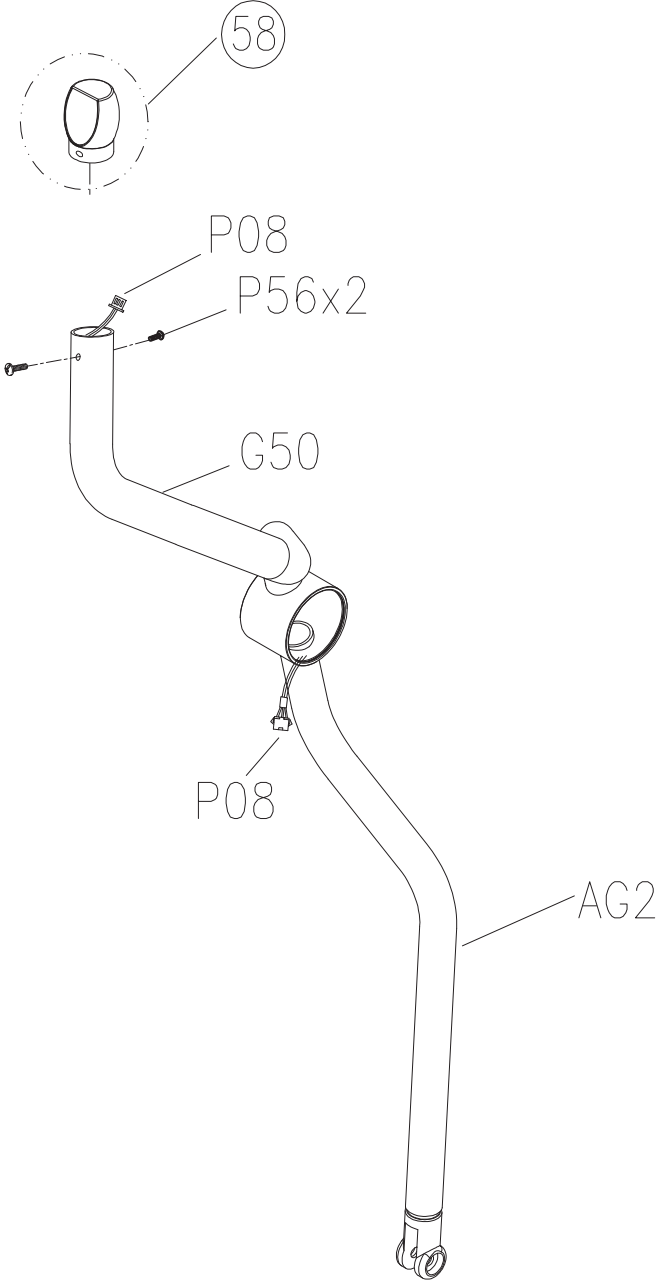
DRAWING NO	EP95-AG11		
PART NAME	LEFT HANDLEBAR SET		
PART NO	0000095345	REV	B
APPROVE	Tsaijw	DATE	20110214



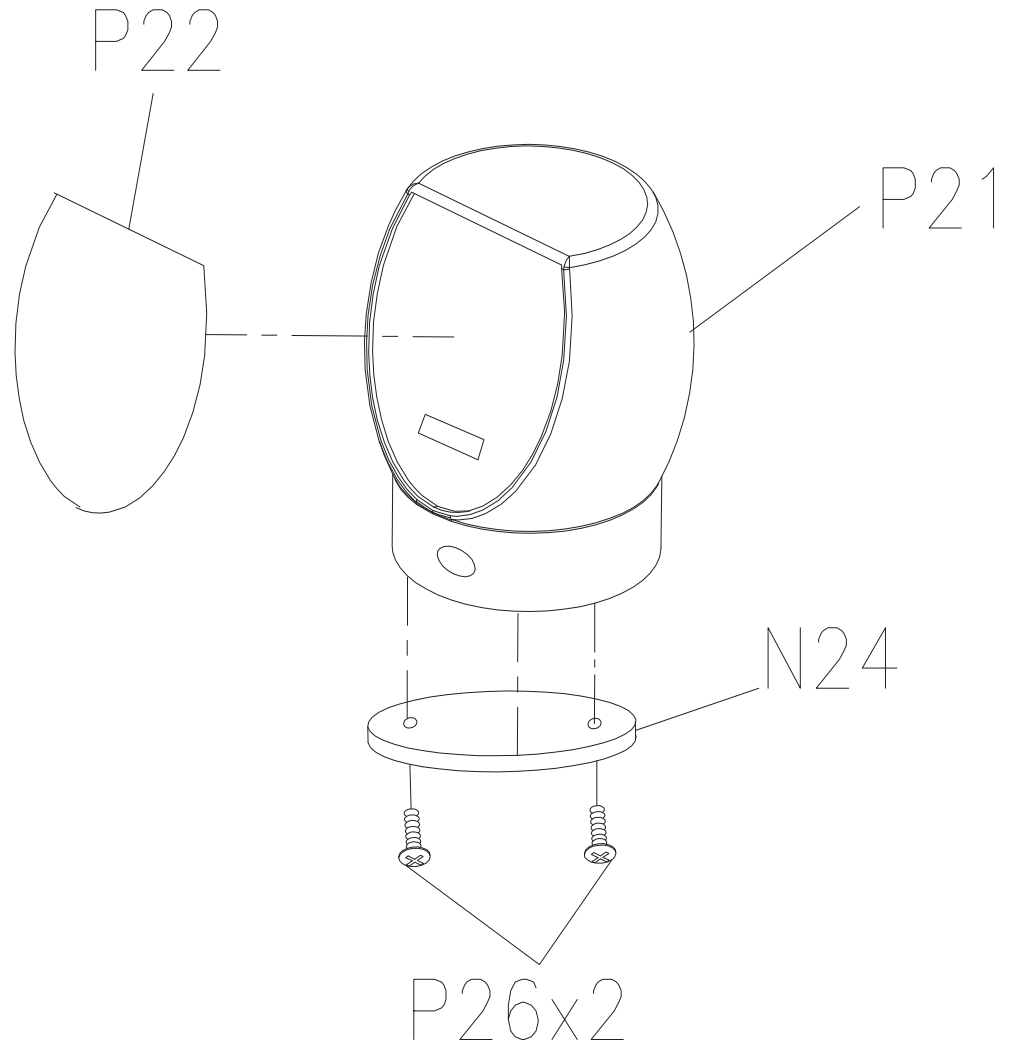
DRAWING NO	EP95-AP11		
PART NAME	Overlay Set;Quick Key;Left		
PART NO	As attachment list		
APPROVE	Tsaijw	DATE	20110216



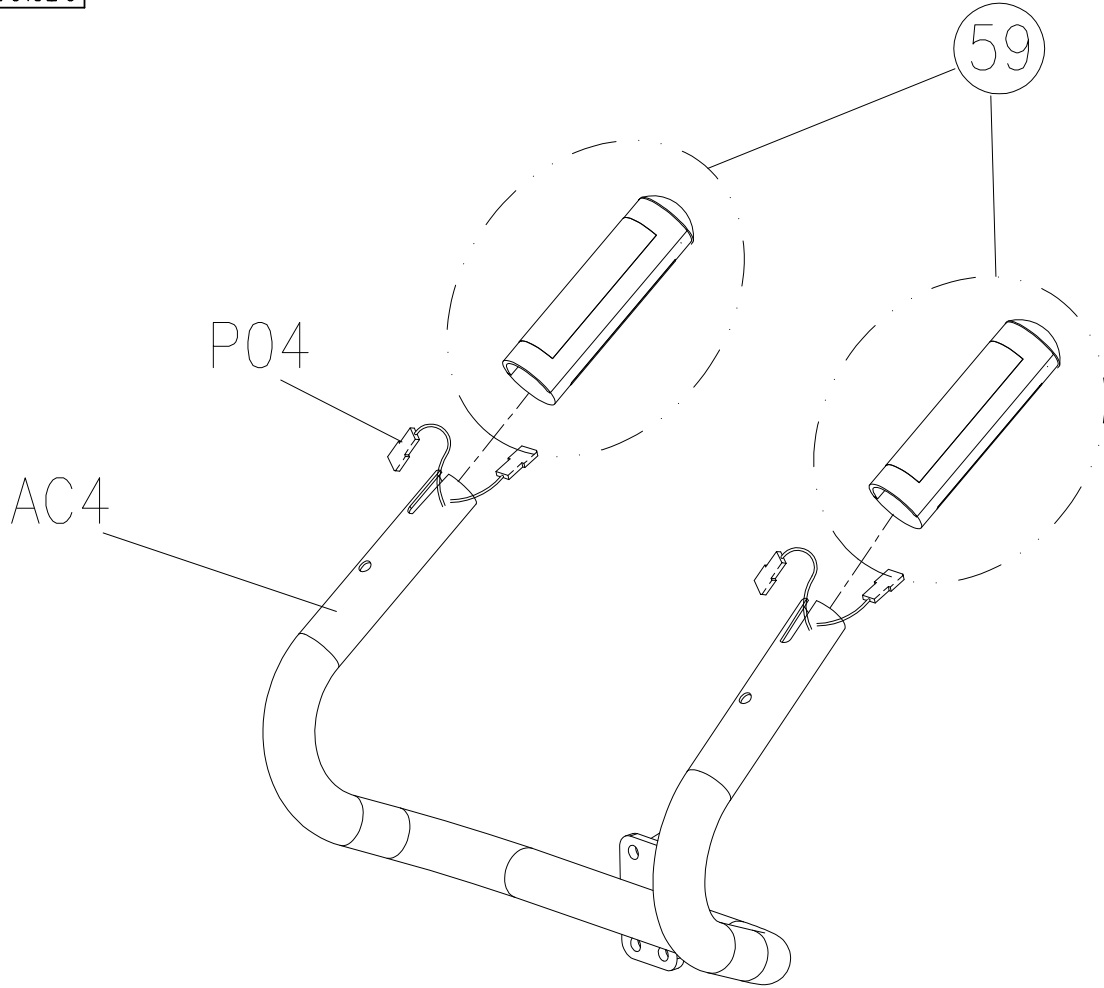
DRAWING NO	EP95-AG12		
PART NAME	RIGHT HANDLEBAR SET		
PART NO	0000095346 <small>REV</small> B		
APPROVE	Tsaijw	DATE	20110214



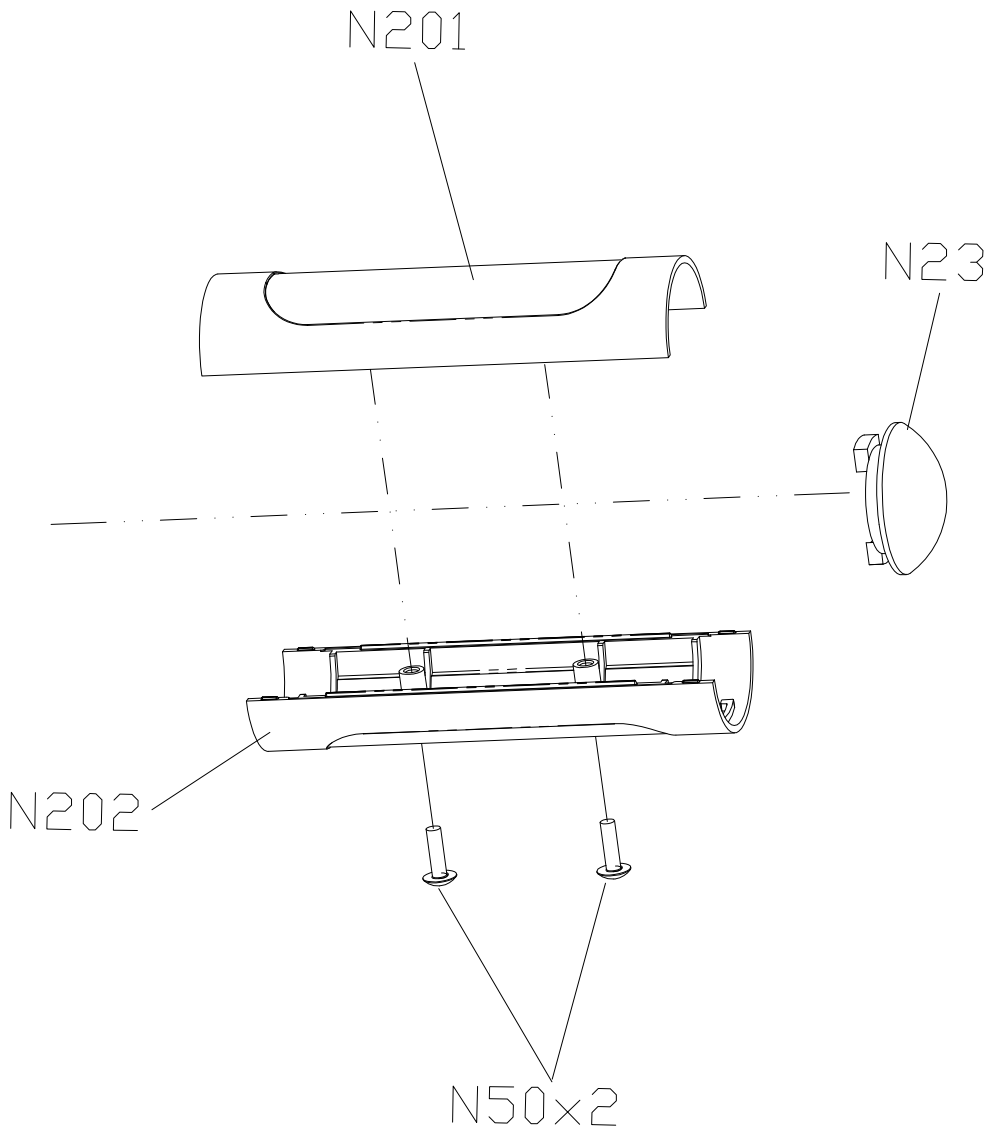
DRAWING NO	EP95-AP12		
PART NAME	Overlay Set;Quick Key;RIGHT		
PART NO	As attachment list		
APPROVE	Tsaijw	DATE	20110216



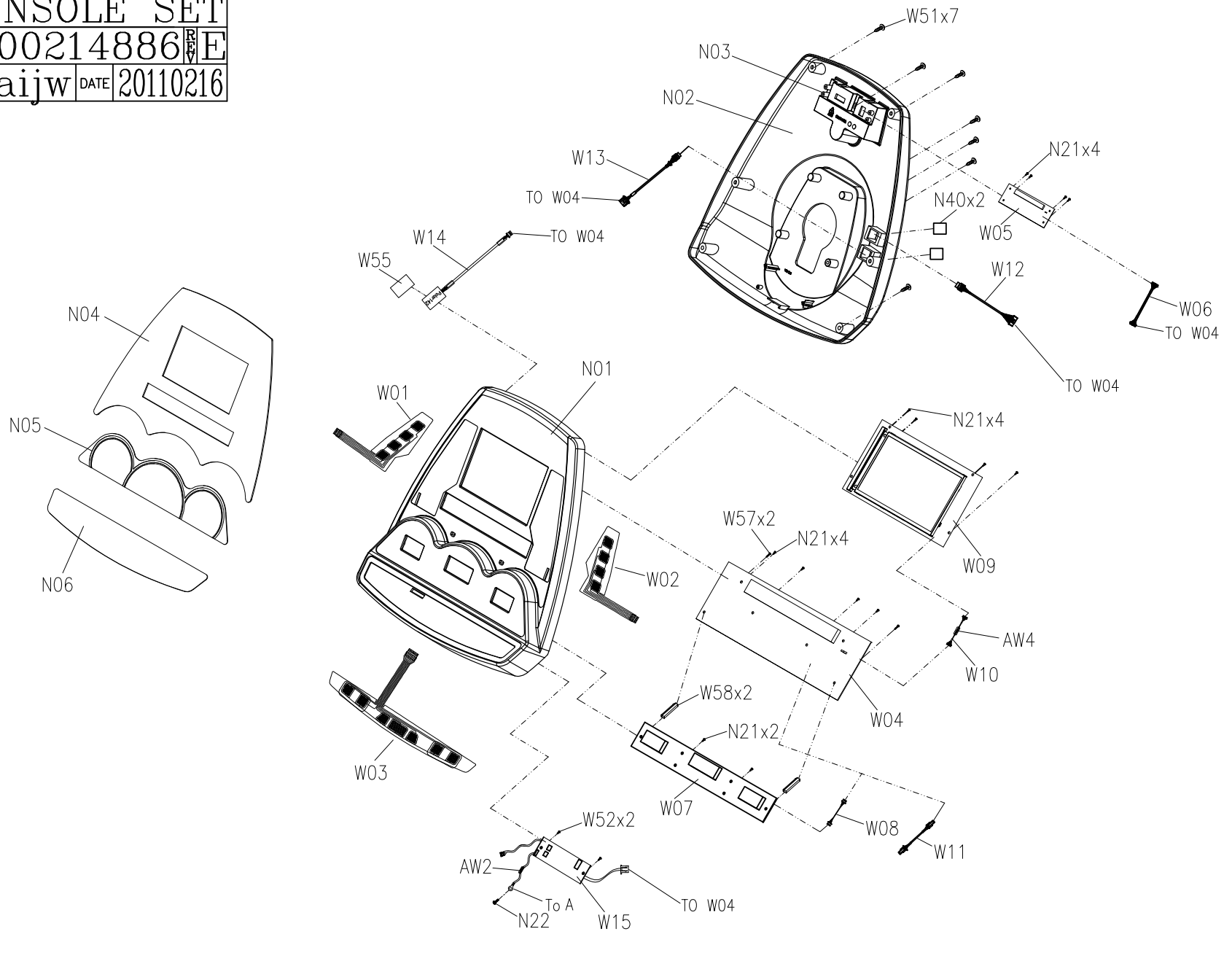
DRAWING NO	EP95-AG5		
PART NAME	HR HANDLEBAR SET		
PART NO	0000090182		C
APPROVE	Tsaijw	DATE	20110216



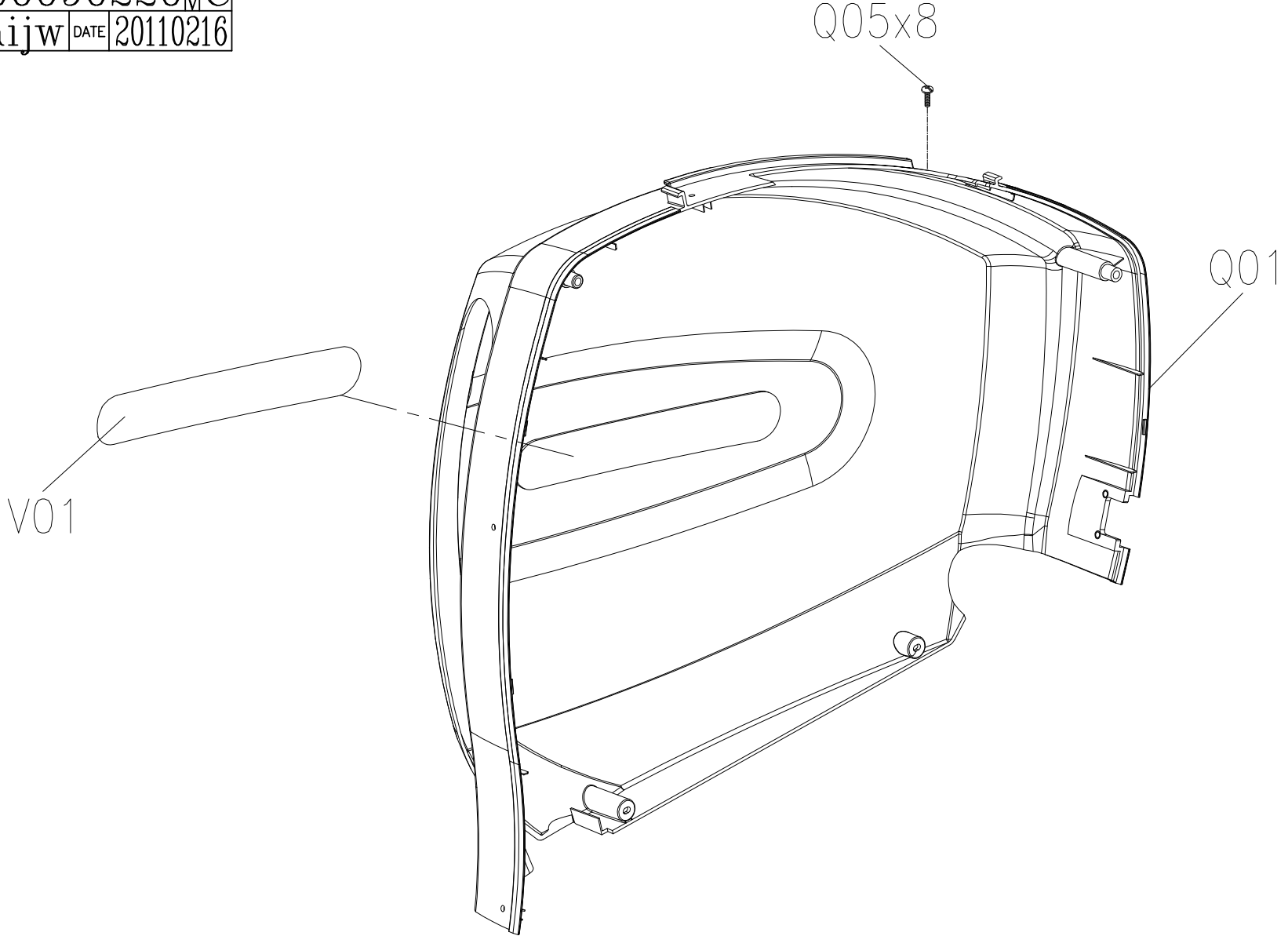
DRAWING NO	EP95-AN21	
PART NAME	HANDLE PULSE SENSOR SET	
PART NO	0000090185	B
APPROVE	Tsaijw	DATE 20110216




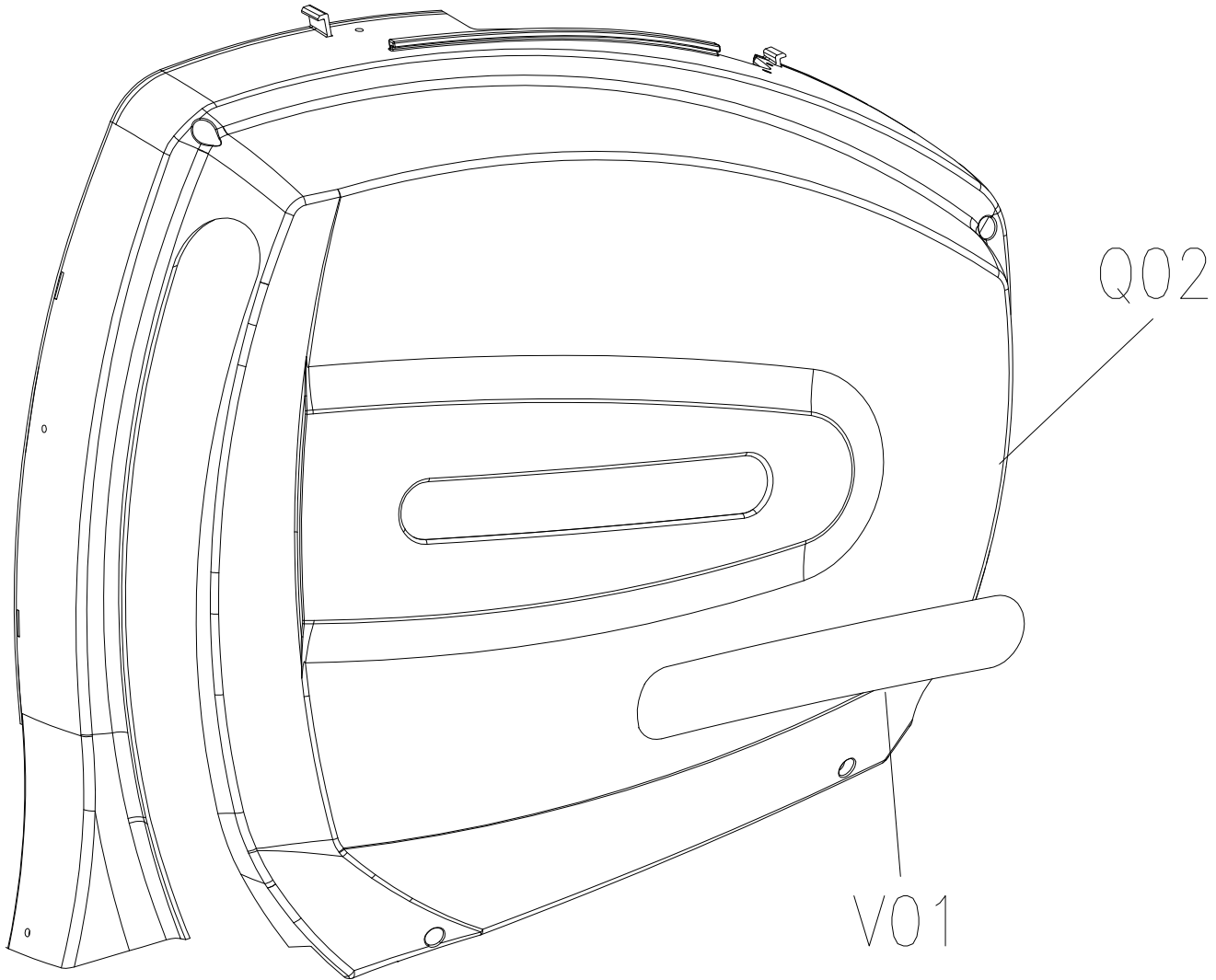
DRAWING NO	EP95-AN13		
PART NAME	CONSOLE SET		
PART NO	1000214886	REV	E
APPROVE	Tsaijw	DATE	20110216



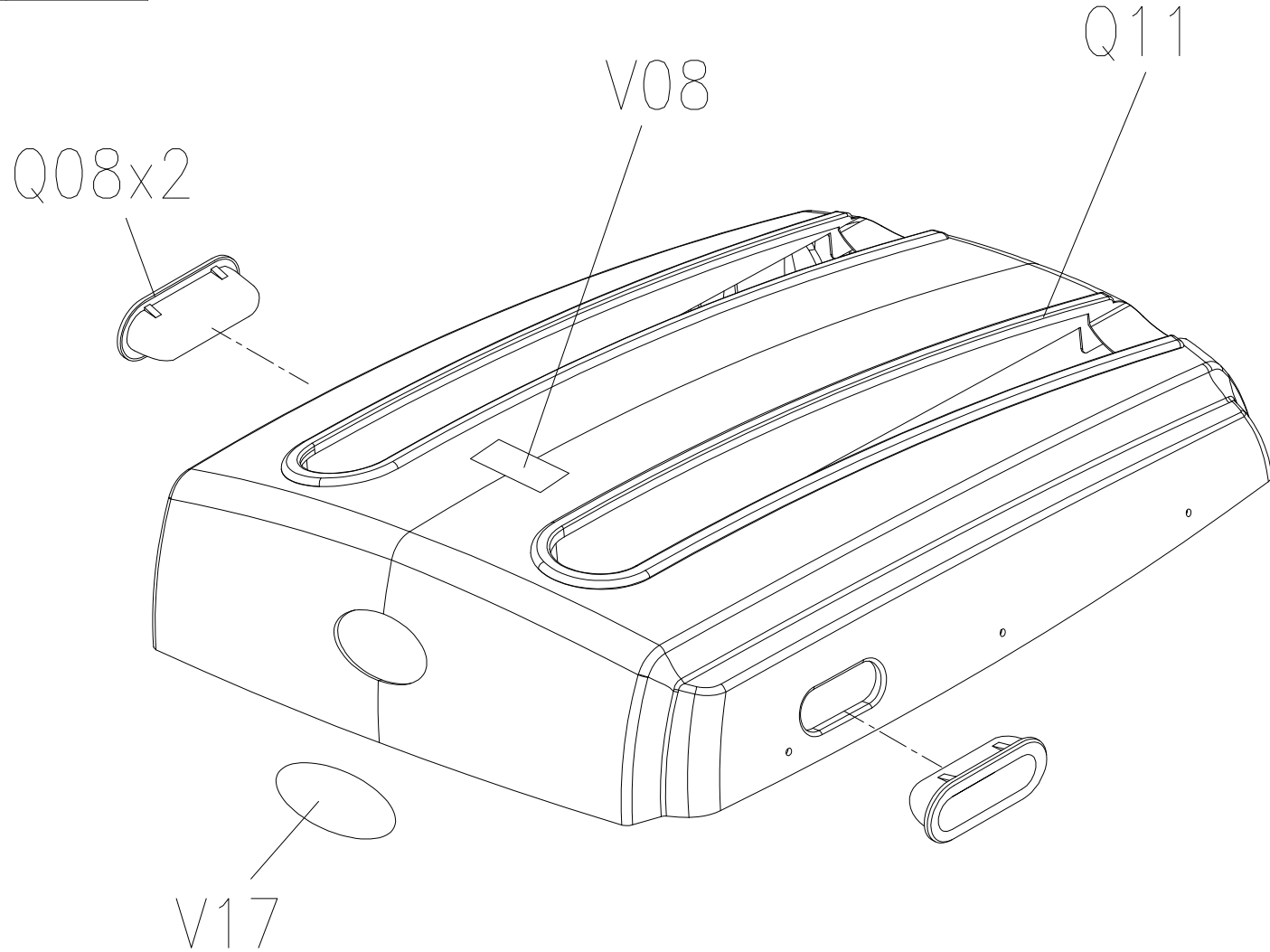
DRAWING NO	EP95-AQ1		
PART NAME	LEFT FRAME COVER SET		
PART NO	0000090220	REV	C
APPROVE	Tsaijw	DATE	20110216



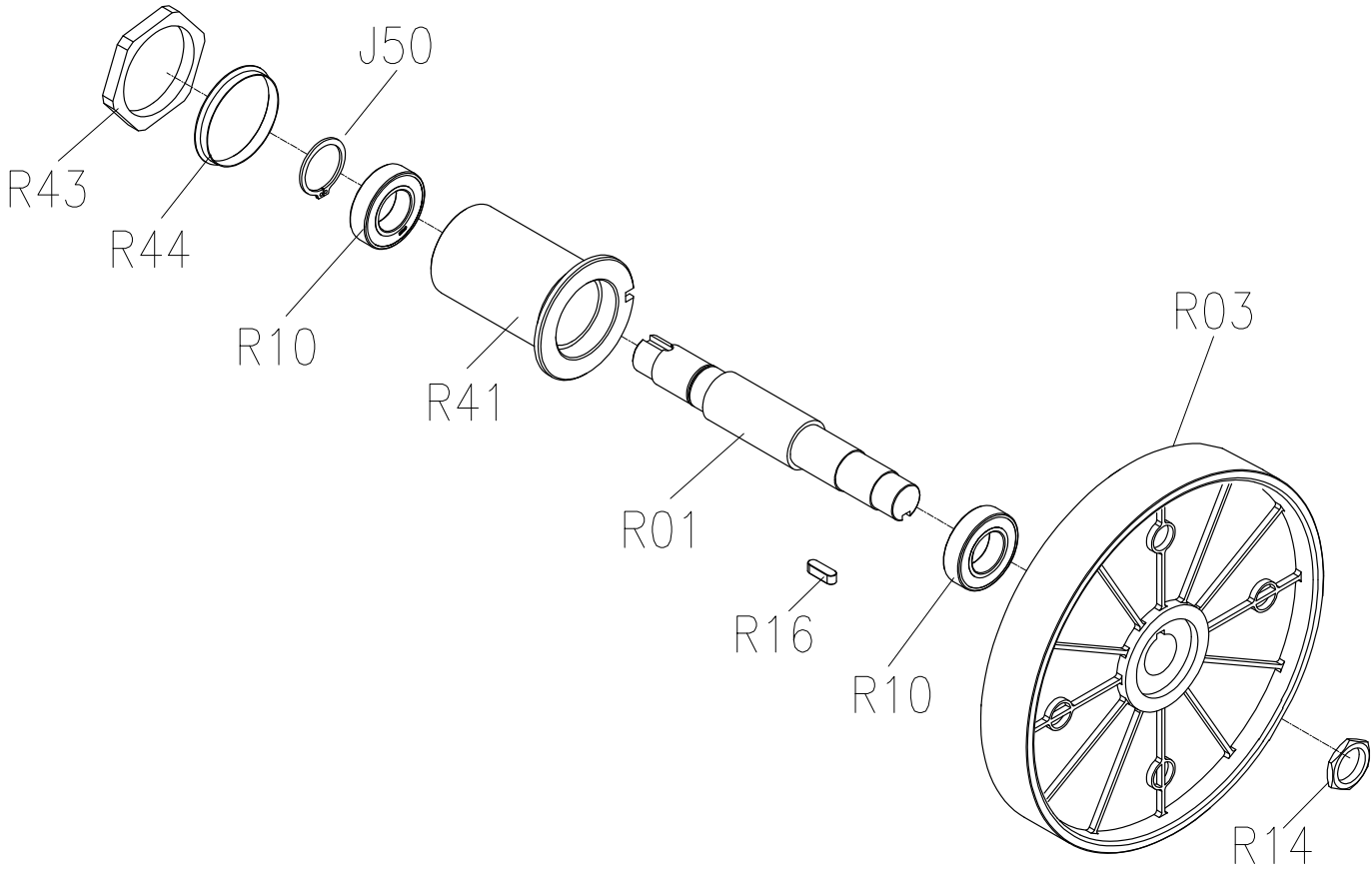
DRAWING NO	EP95-AQ2		
PART NAME	RIGHT FRAME COVER SET		
PART NO	0000090223		C
APPROVE	Tsaijw	DATE	20110216



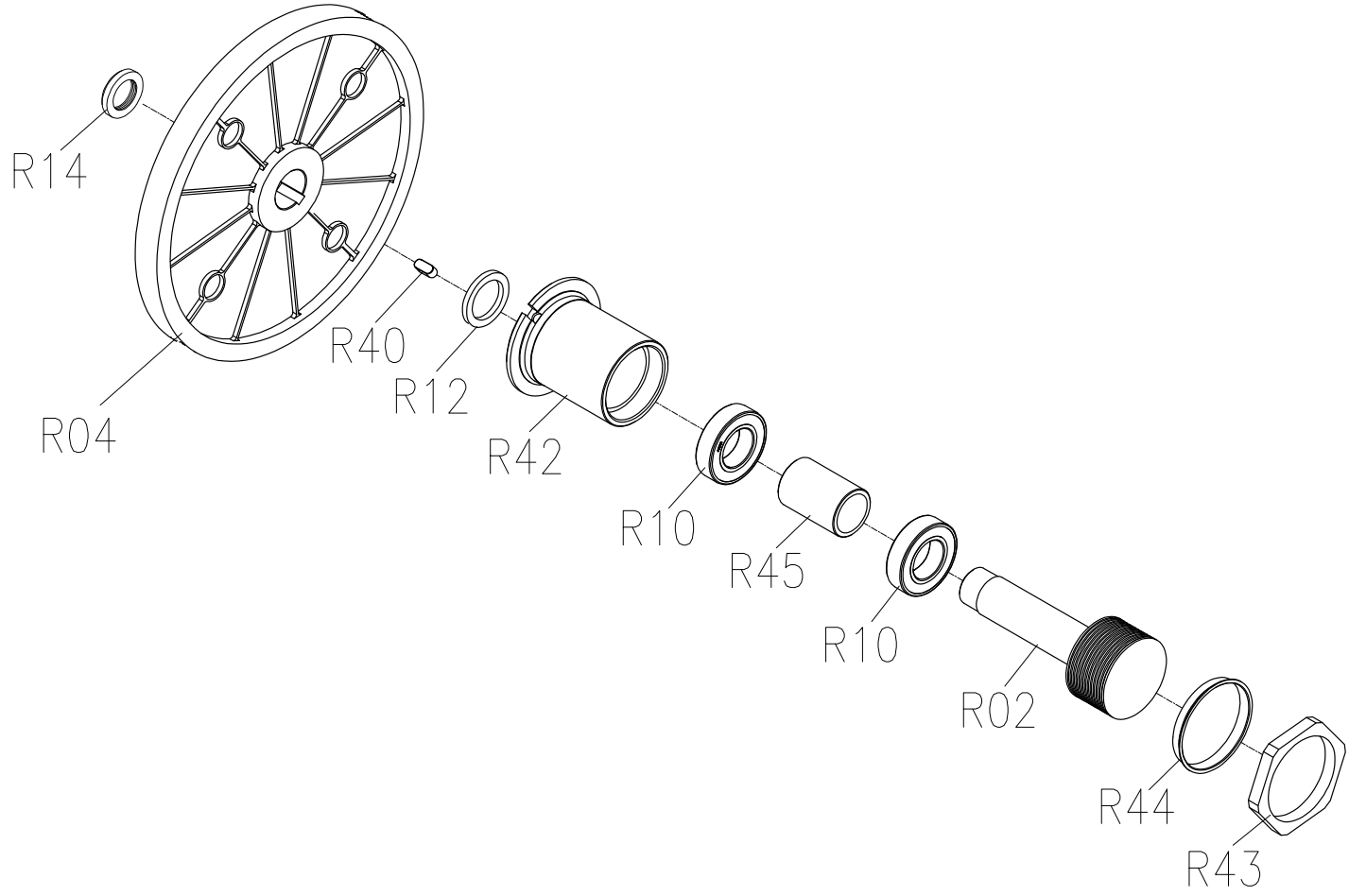
DRAWING NO	EP95-AQ11		
PART NAME	FRAME REAR COVER SET		
PART NO	0000090225	REV	C
APPROVE	Tsaijw	DATE	20110216



DRAWING NO	EP95-AR11		
PART NAME	DRIVE AXLE SET		
PART NO	0000090231		
APPROVE	Tsaijw	DATE	20110221



DRAWING NO	EP95-AR12		
PART NAME	PULLEY SET		
PART NO	0000090232	REV	B
APPROVE	Tsaijw	DATE	20110221



DRAWING NO	EP95-AT1		
PART NAME	TENSION WHEEL SET		
PART NO	0000090593		
APPROVE	Tsaijw	DATE	20110218

