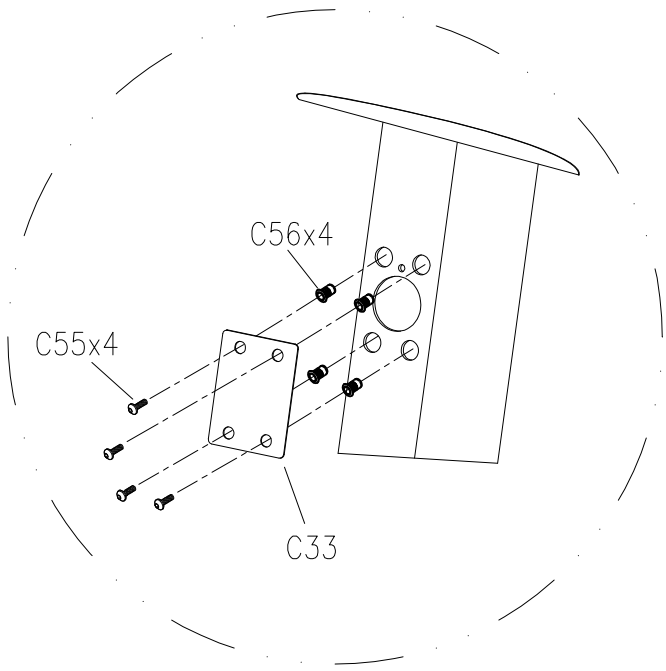
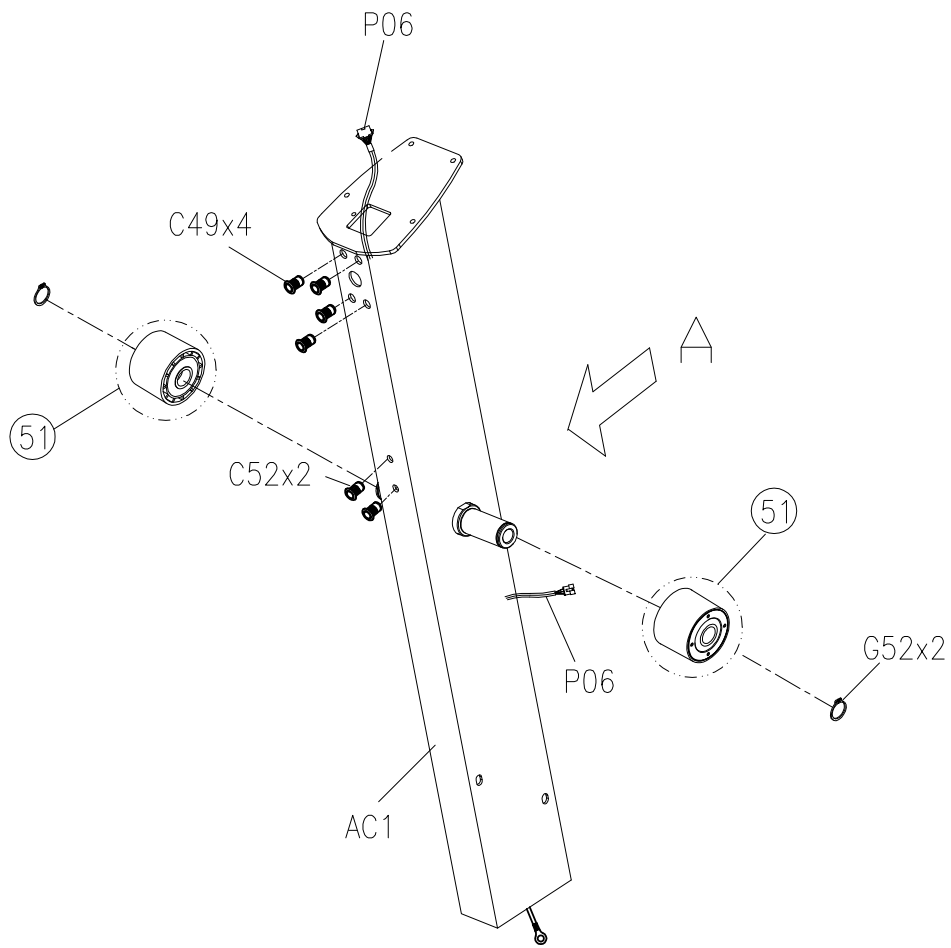
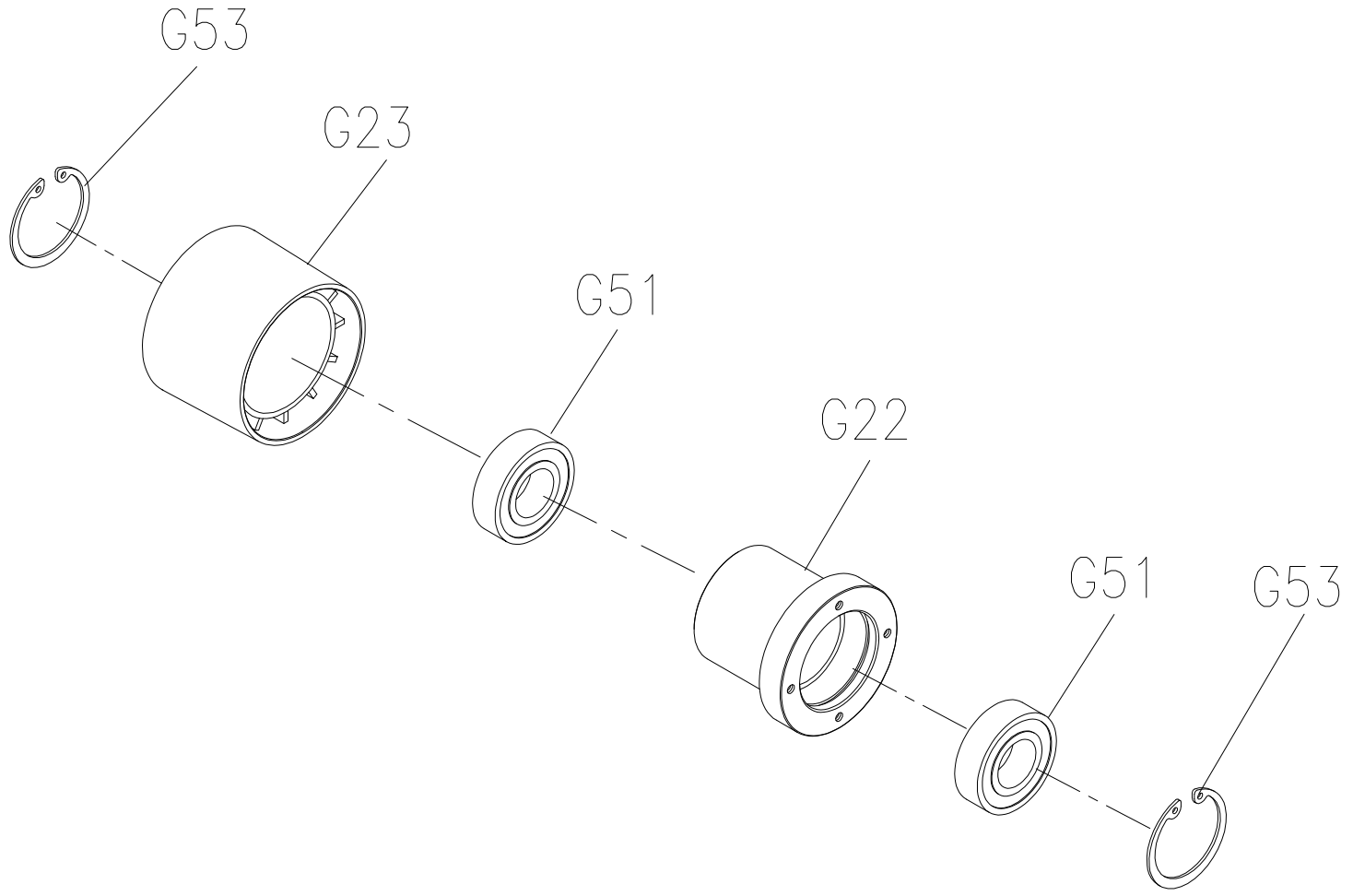


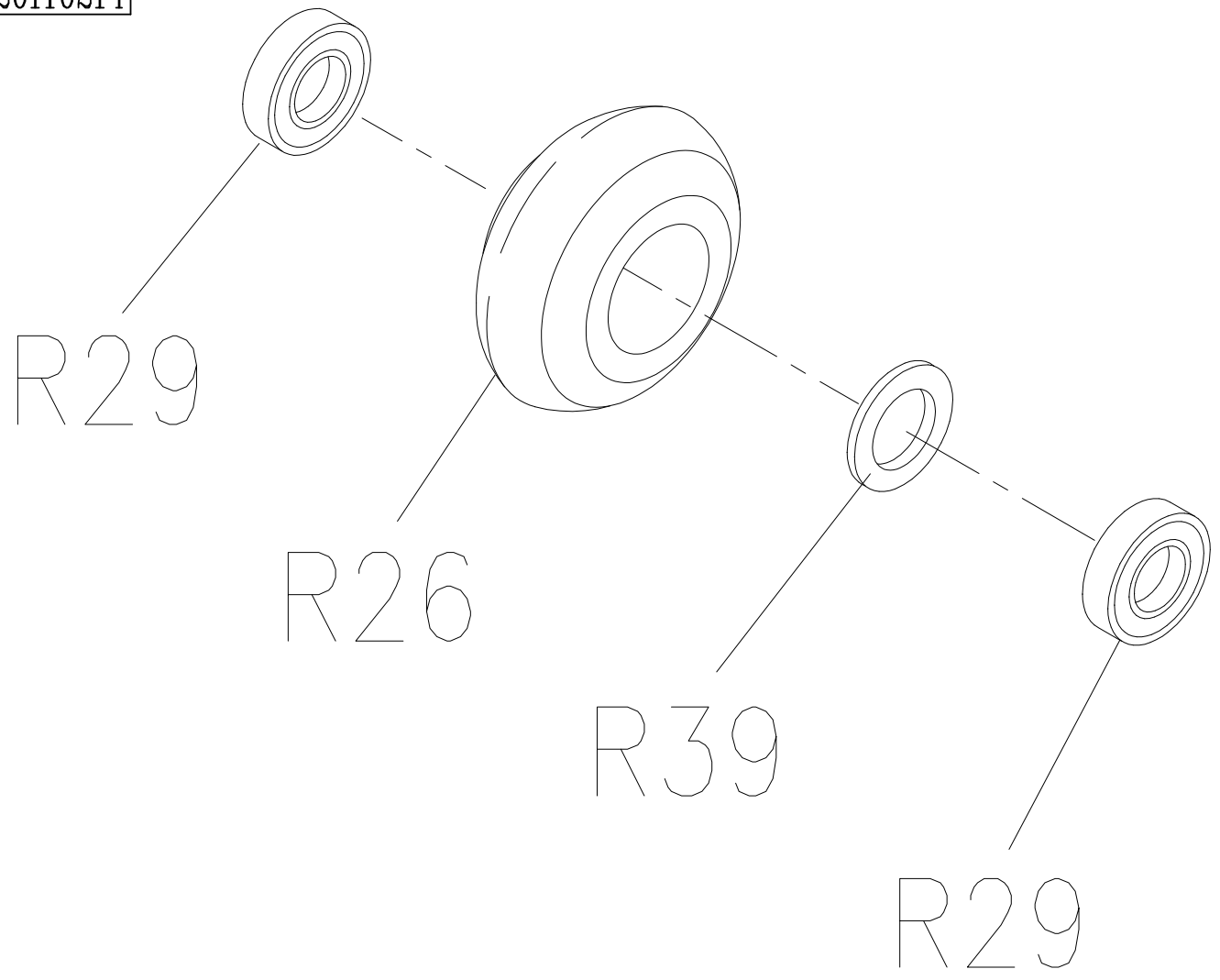
DRAWING NO	EP95-AC4		
PART NAME	CONSOLE MAST SET		
PART NO	0000090174		
APPROVE	Tsaijw	DATE	20110218



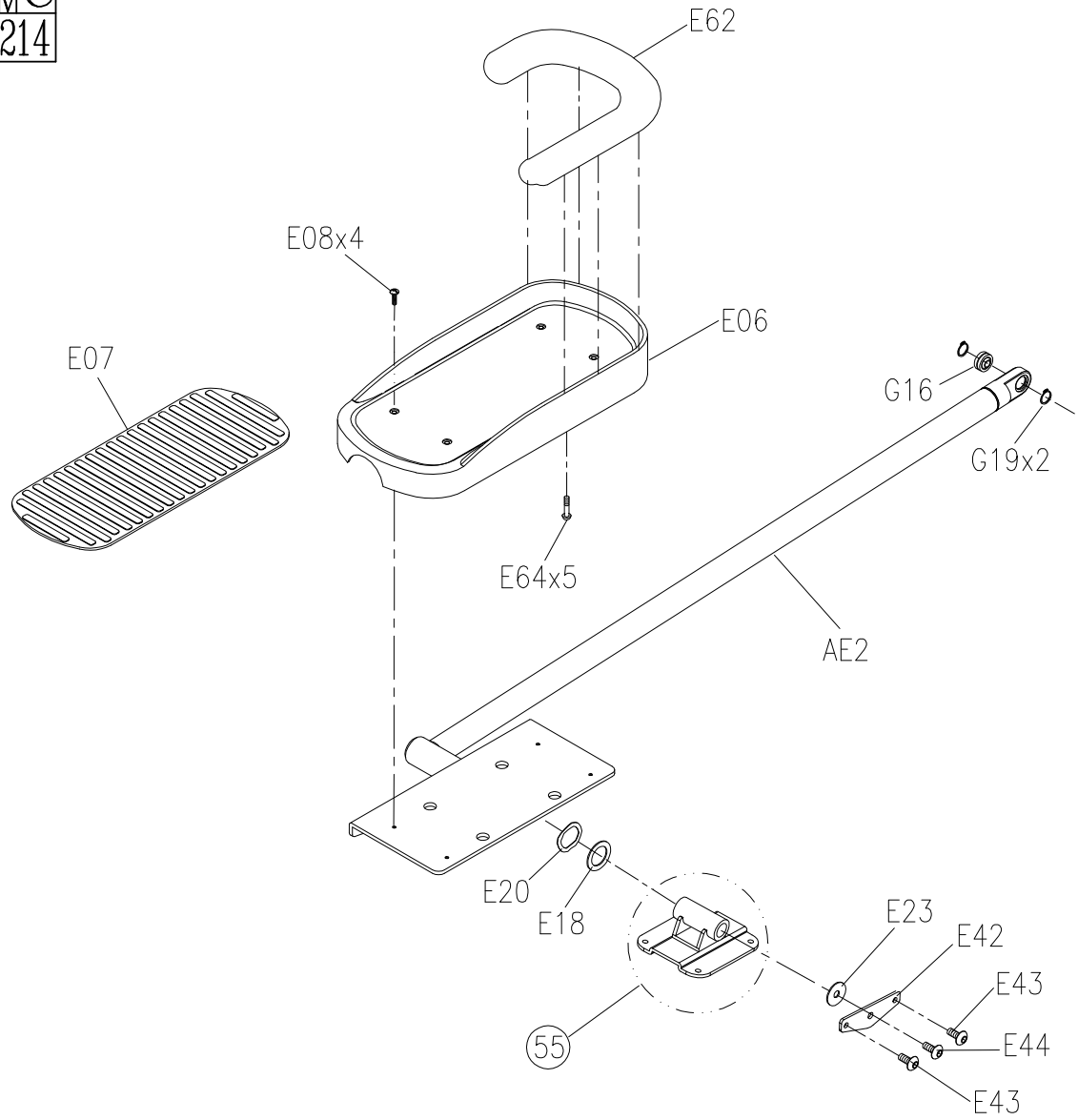
DRAWING NO	EP95-AG15		
PART NAME	ARM REST CON BLOCK		
PART NO	0000090178		
APPROVE	Tsaijw	DATE	20110216



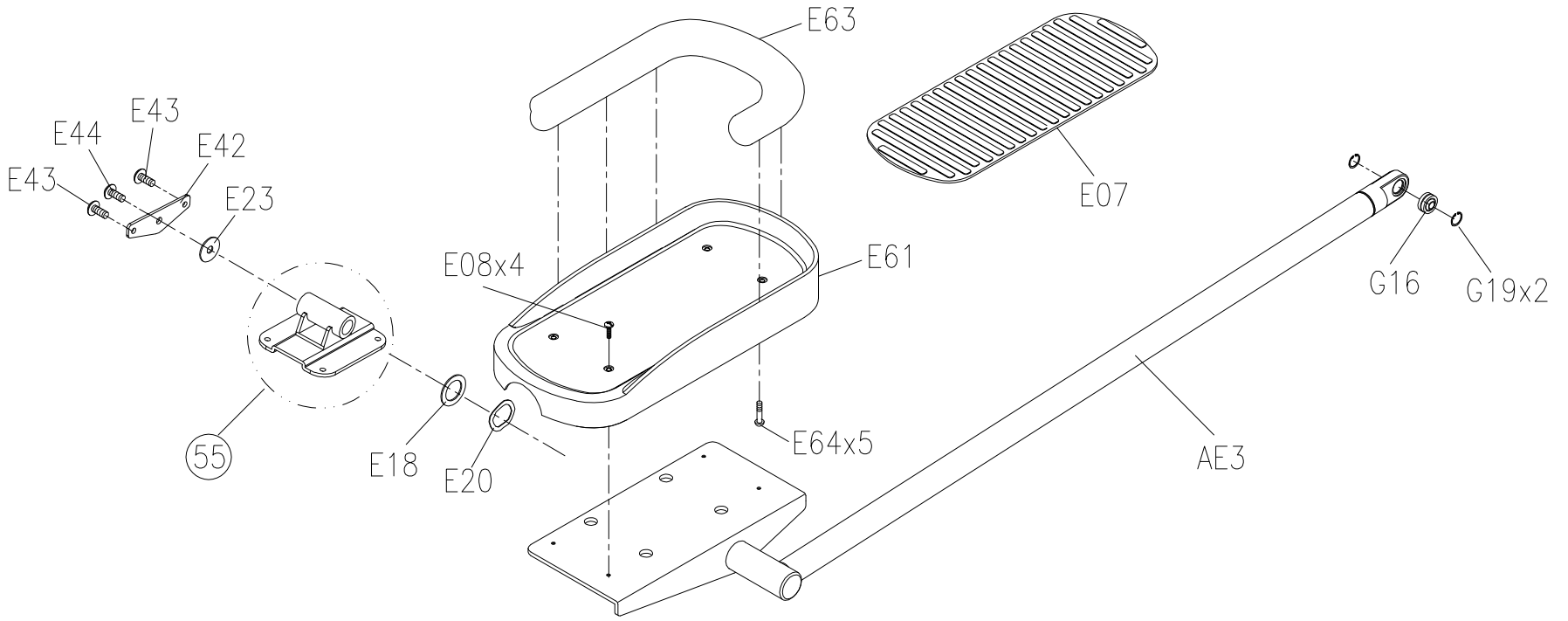
DRAWING NO	EP95-AE9		
PART NAME	ROLLER SET		
PART NO	0000096003		B
APPROVE	Tsaijw	DATE	20110214



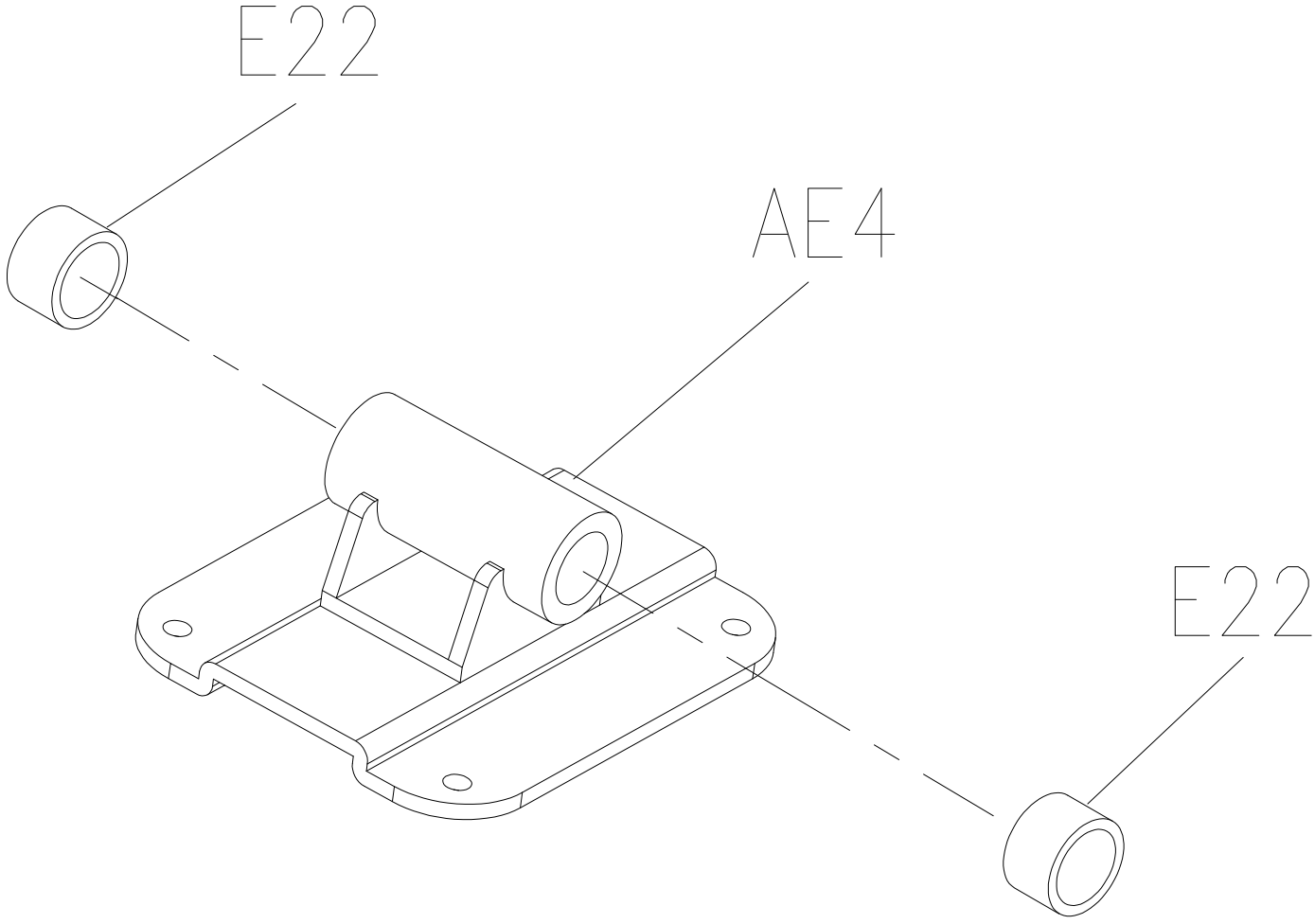
DRAWING NO	EP95-AE6		
PART NAME	LEFT PDEAL SET		
PART NO	0000090190	REV	C
APPROVE	Tsaijw	DATE	20110214



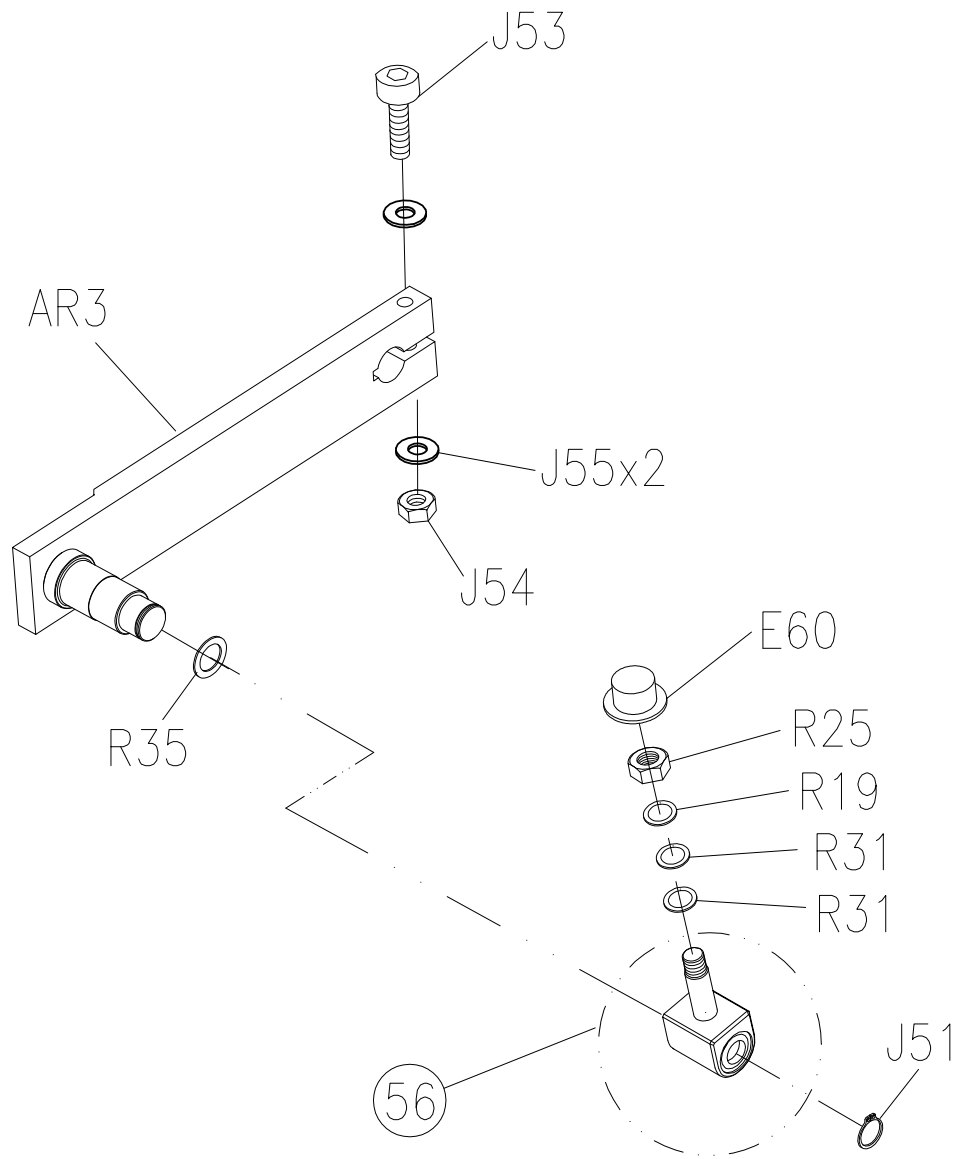
DRAWING NO	EP95-AE7		
PART NAME	RIGHT PEDEAL SET		
PART NO	0000090192	REV	C
APPROVE	Tsaijw	DATE	20110214



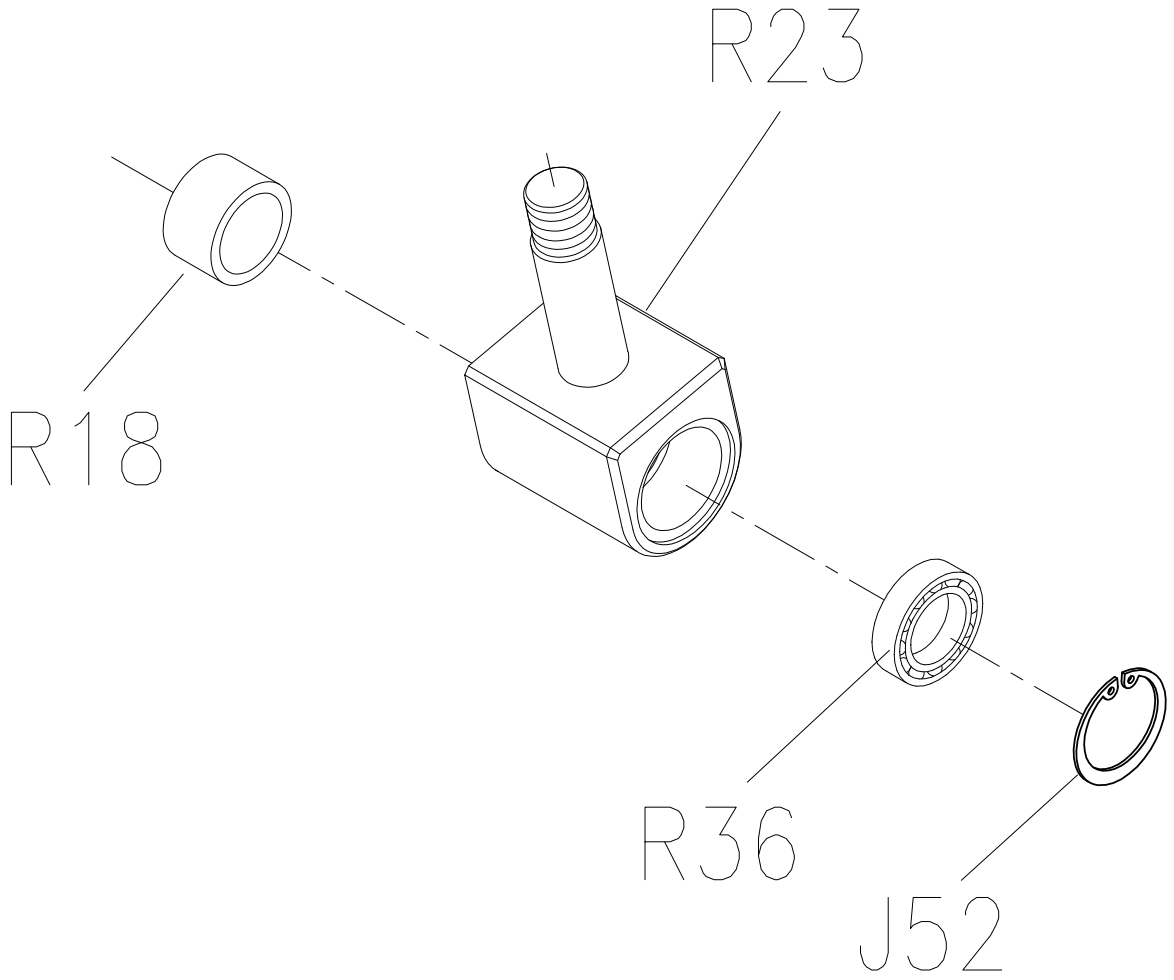
DRAWING NO	EP95-AE11		
PART NAME	CON Base Set;L/R		
PART NO	0000090195		
APPROVE	Tsaijw	DATE	20110214



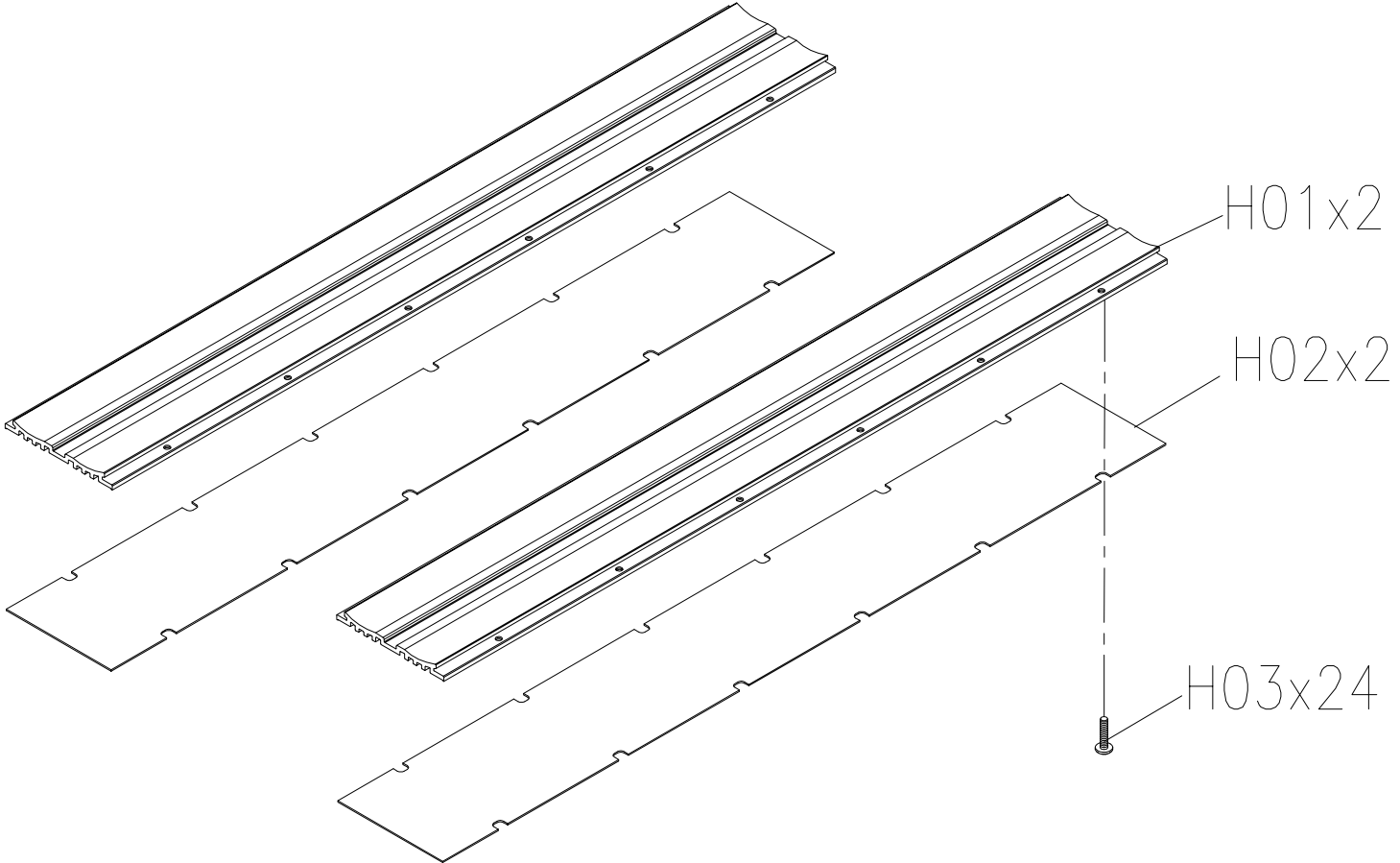
DRAWING NO 圖號	EP95-AR5
PART NAME(CH) 零件名稱(中文)	曲柄 + 銷套組
PART NAME(EN) 零件名稱(英文)	Crank+PIN SLEEVE SET
SAP PART NO SAP料號	0000090198 B



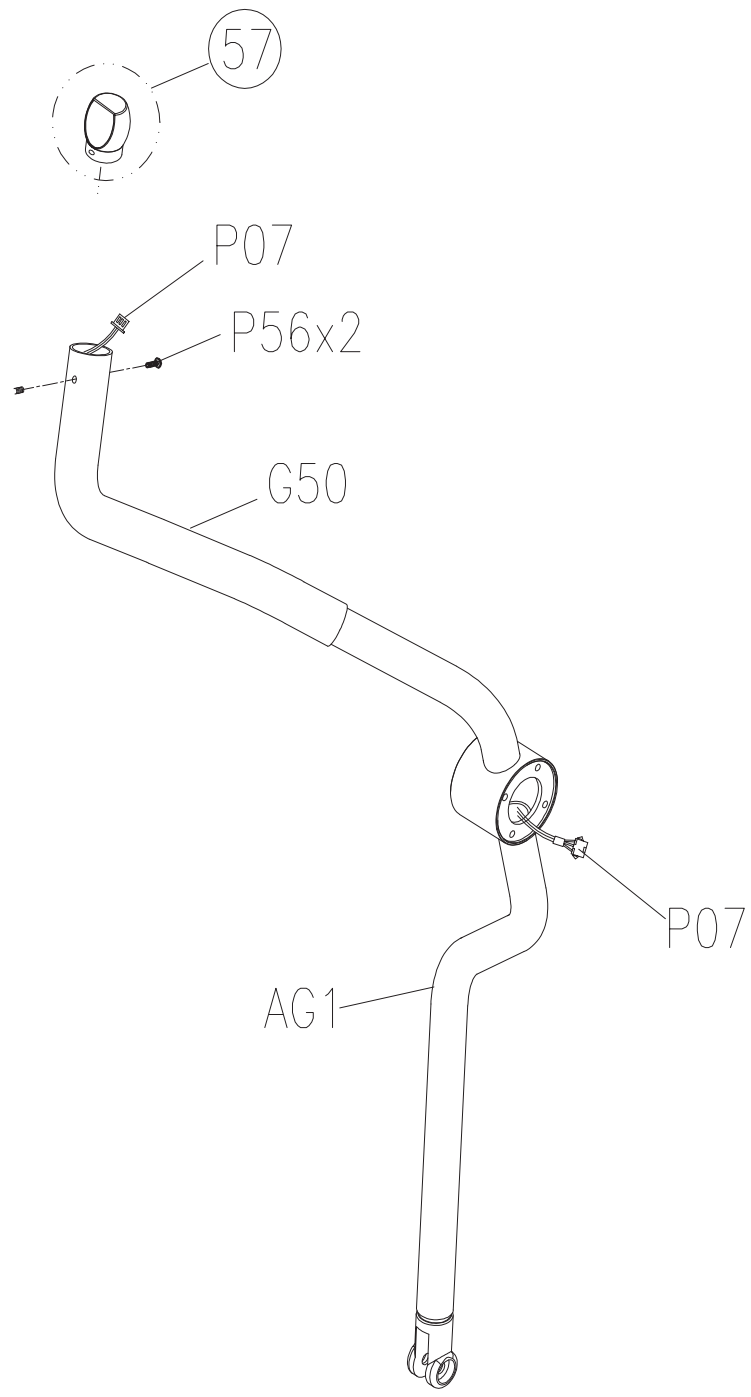
DRAWING NO	EP95-AE12		
PART NAME	CRANK PIN SLEEVE SET		
PART NO	0000090199		B
APPROVE	Tsaijw	DATE	20110216



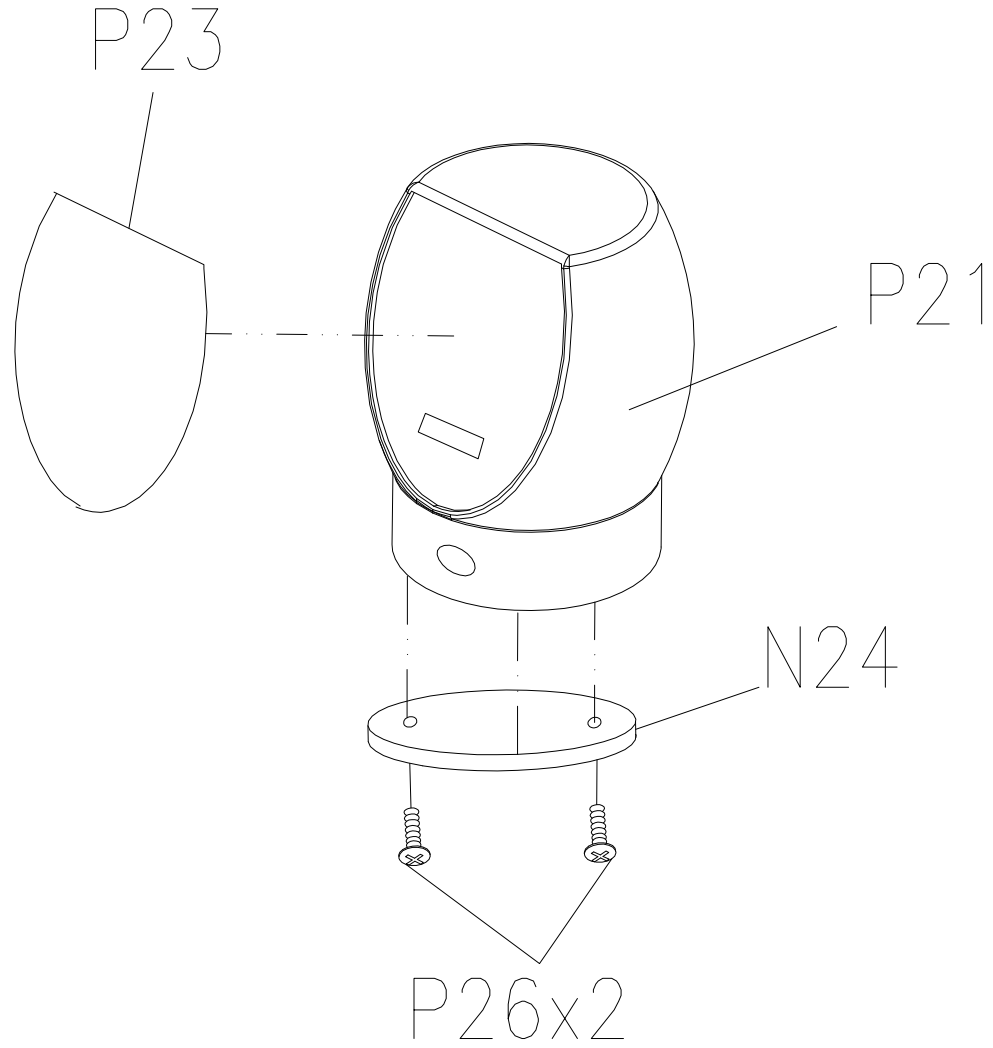
DRAWING NO	EP95-AH1		
PART NAME	RAIL SET		
PART NO	0000090585	REV	C
APPROVE	Tsaijw	DATE	20110216



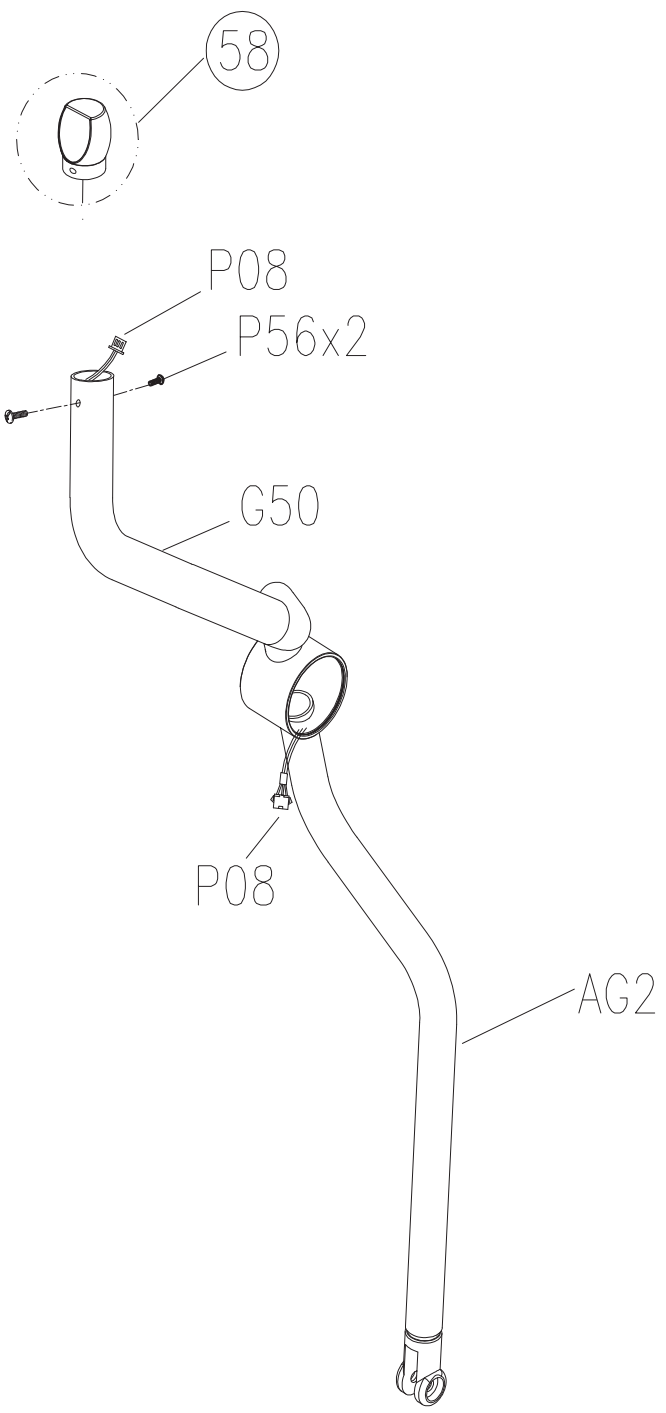
DRAWING NO	EP95-AG11		
PART NAME	LEFT HANDLEBAR SET		
PART NO			B
APPROVE	Tsaijw	DATE	20110214



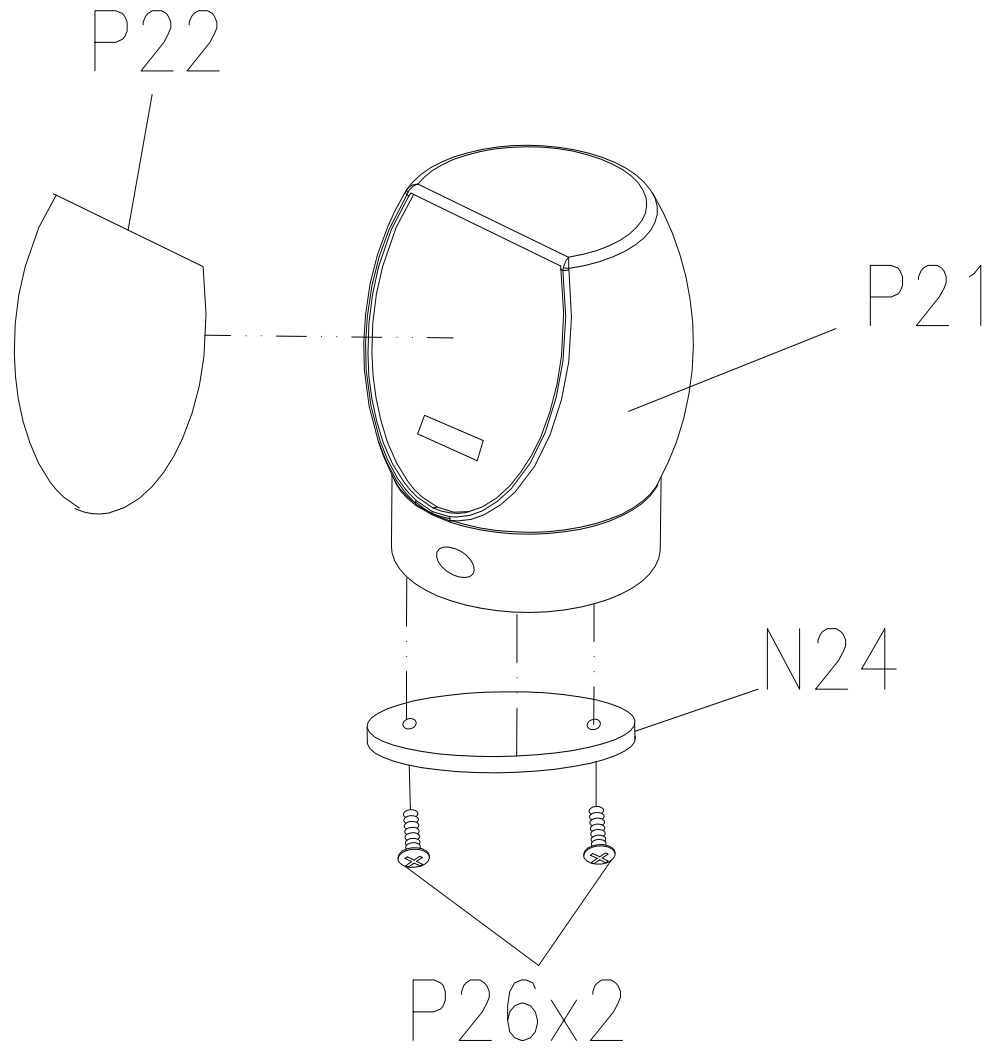
DRAWING NO	EP601-AP11		
PART NAME	Overlay Set;Quick Key;Left		
PART NO	0000096013REV B		
APPROVE	Tsaijw	DATE	20110221



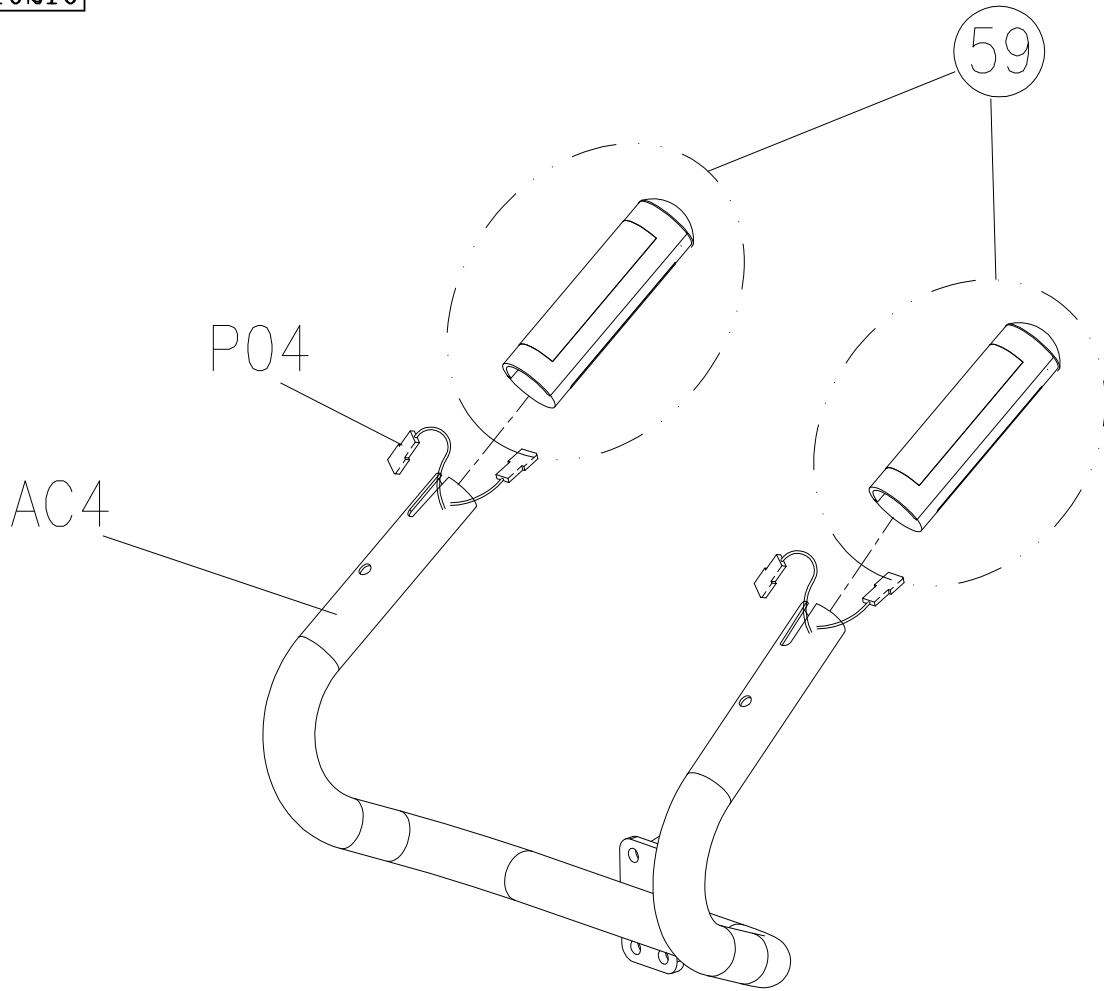
DRAWING NO	EP95-AG12		
PART NAME	RIGHT HANDLEBAR SET		
PART NO	0000095346	REV	B
APPROVE	Tsaijw	DATE	20110214



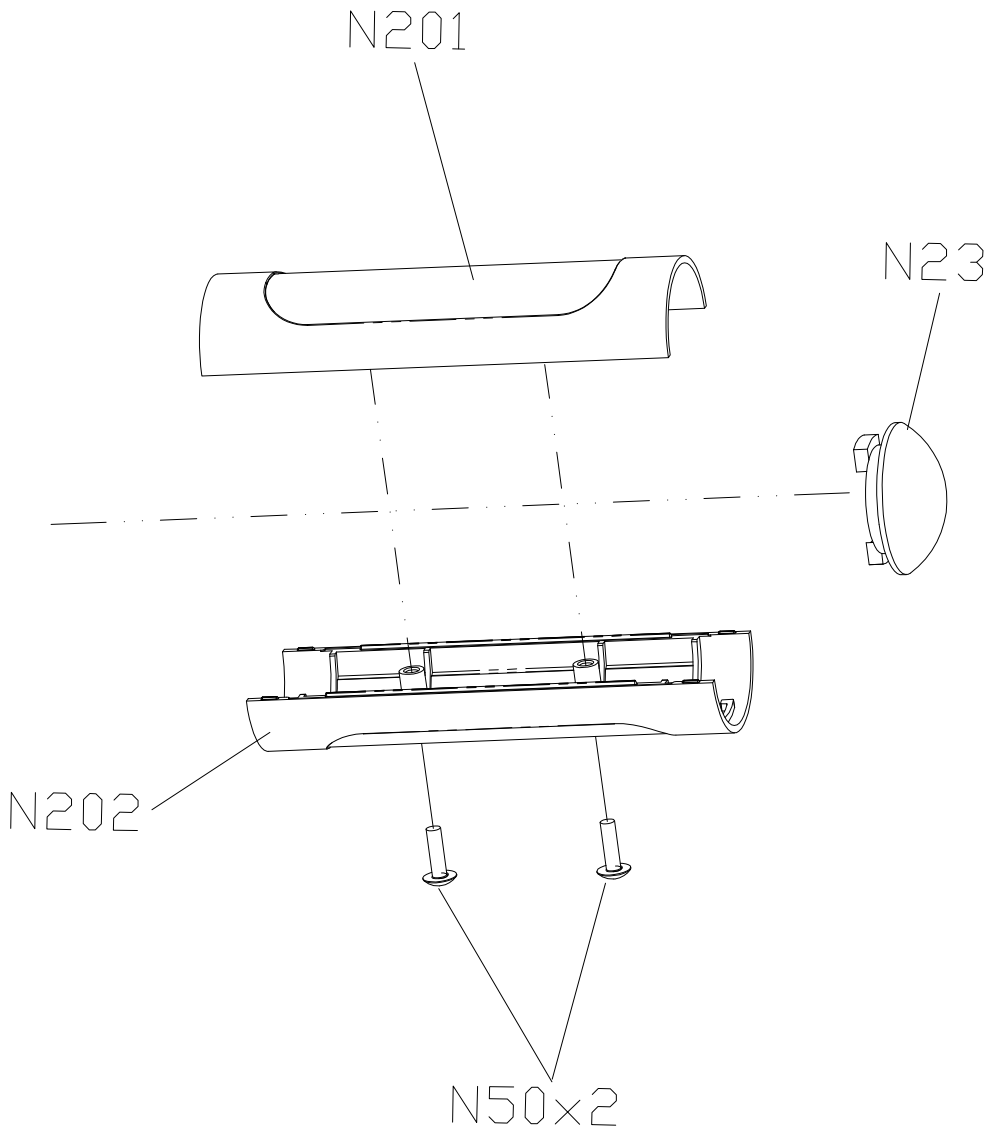
DRAWING NO	EP601-AP12		
PART NAME	Overlay Set;Quick Key;Right		
PART NO	0000096016		
APPROVE	Tsaijw	DATE	20110221



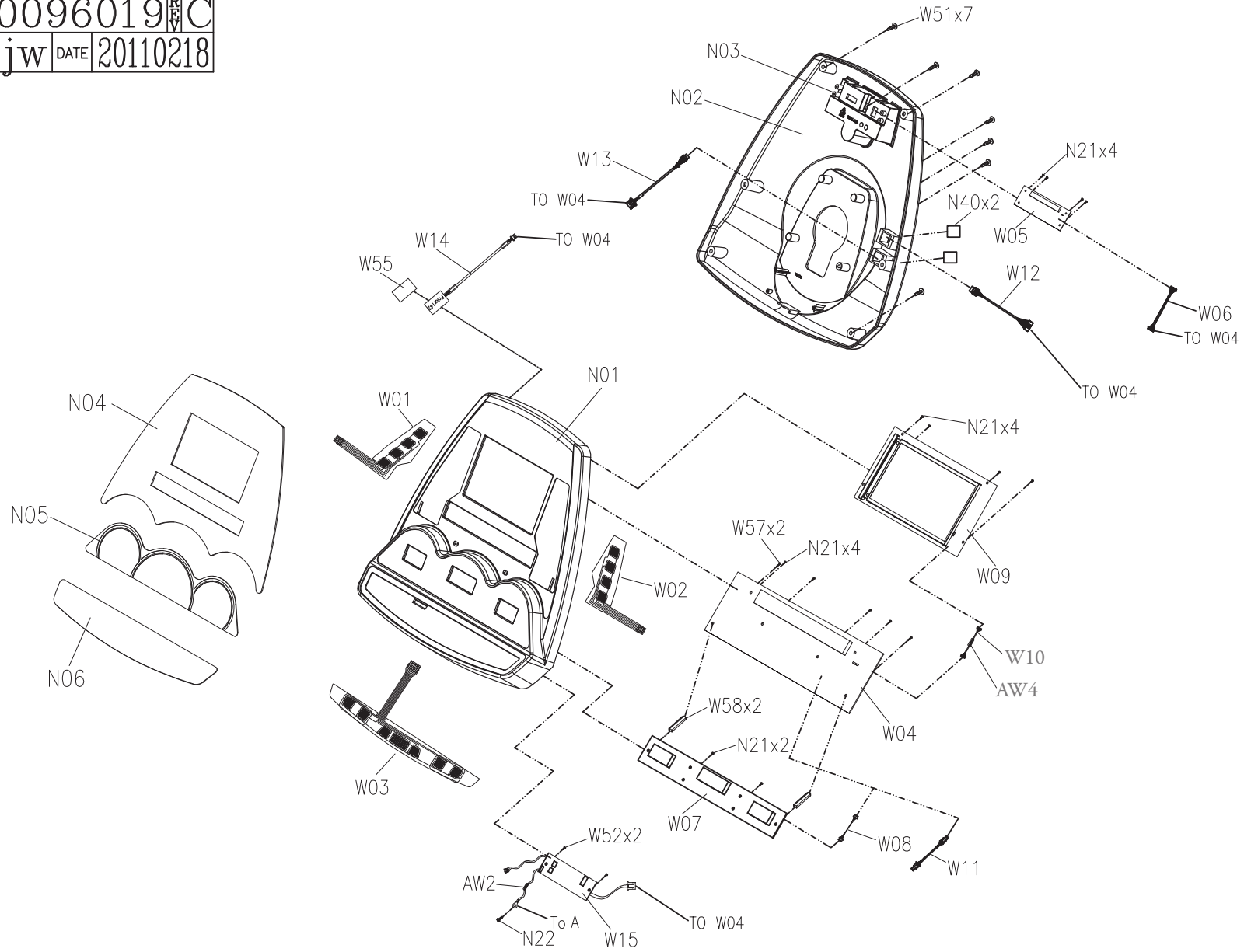
DRAWING NO	EP95-AG5		
PART NAME	HR HANDLEBAR SET		
PART NO	0000090182		C
APPROVE	Tsaijw	DATE	20110216




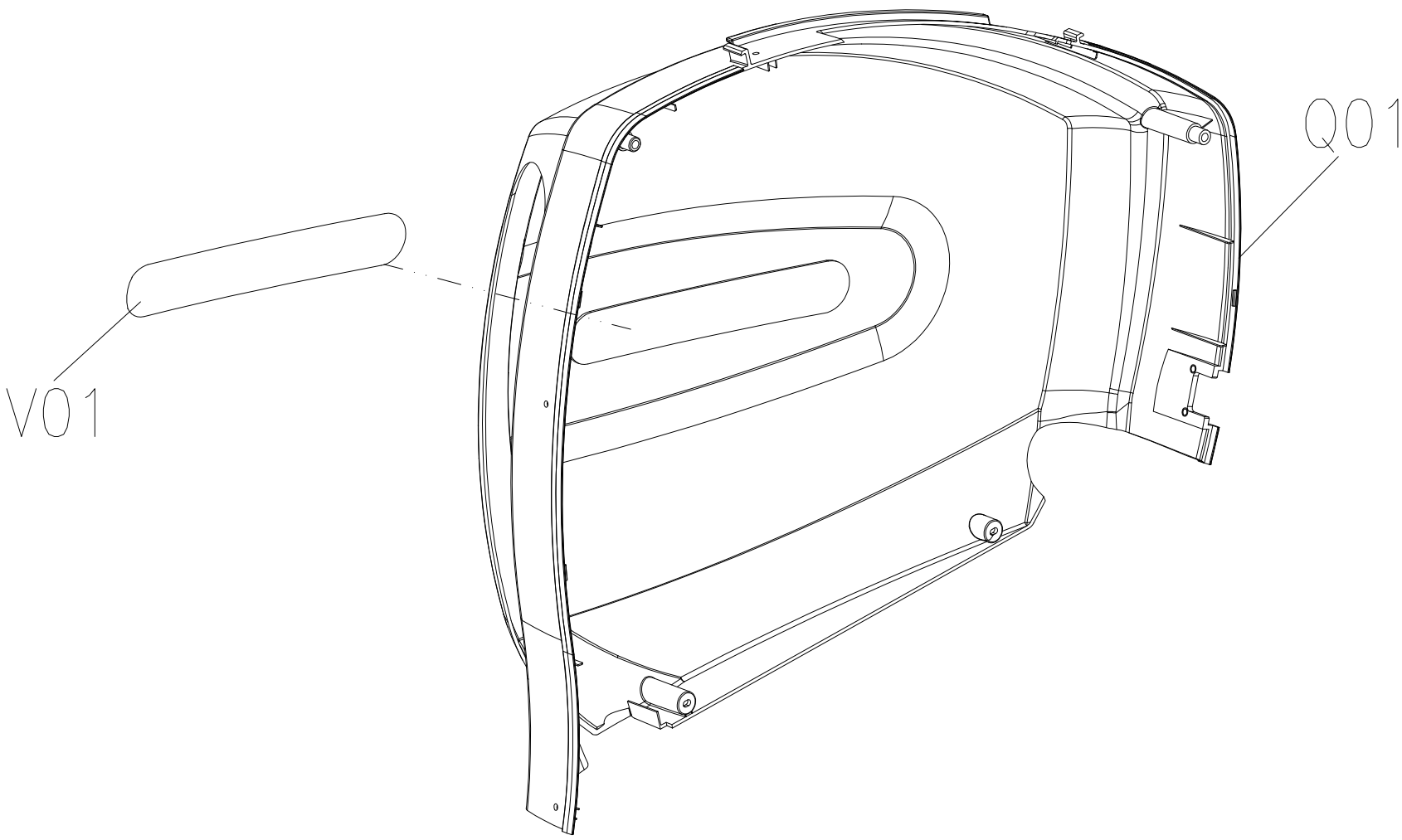
DRAWING NO	EP95-AN21	
PART NAME	HANDLE PULSE SENSOR SET	
PART NO	0000090185	B
APPROVE	Tsaijw	DATE 20110216




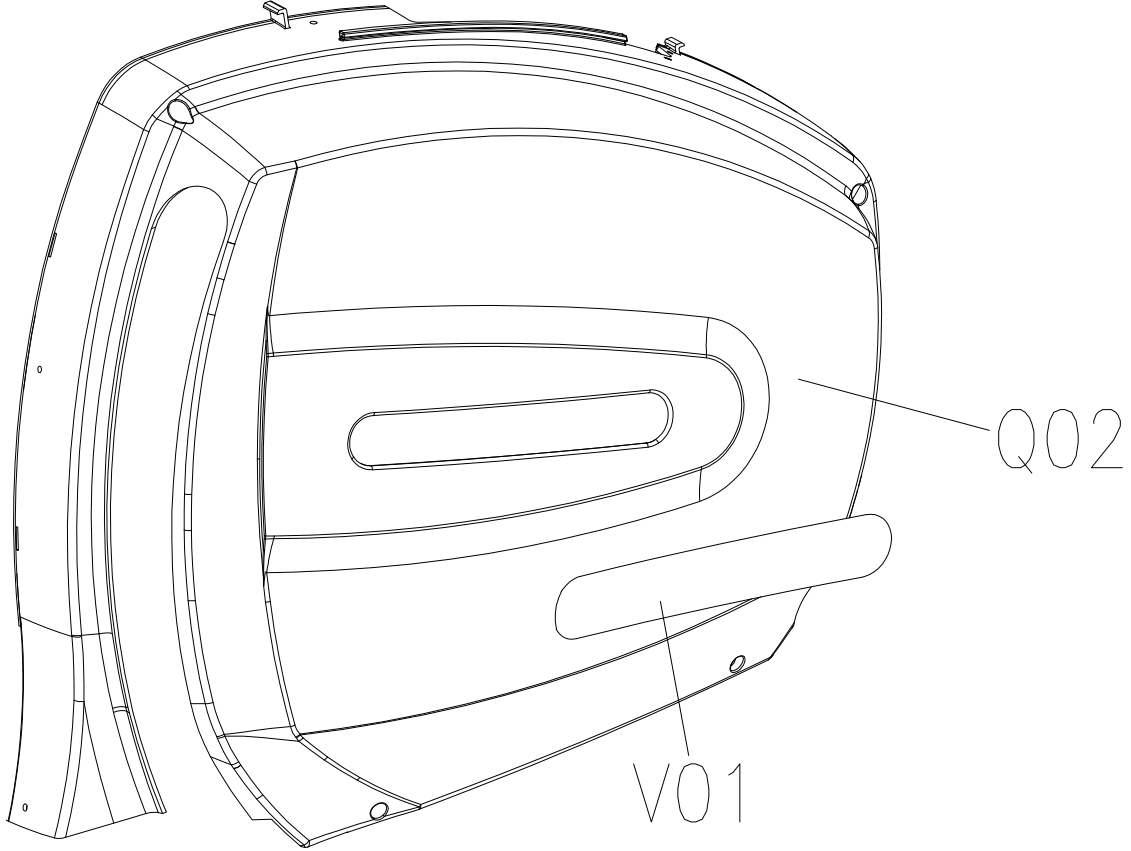
DRAWING NO	EP601-AN1		
PART NAME	Console Set		
PART NO	0000096019	REV	C
APPROVE	tsaijw	DATE	20110218



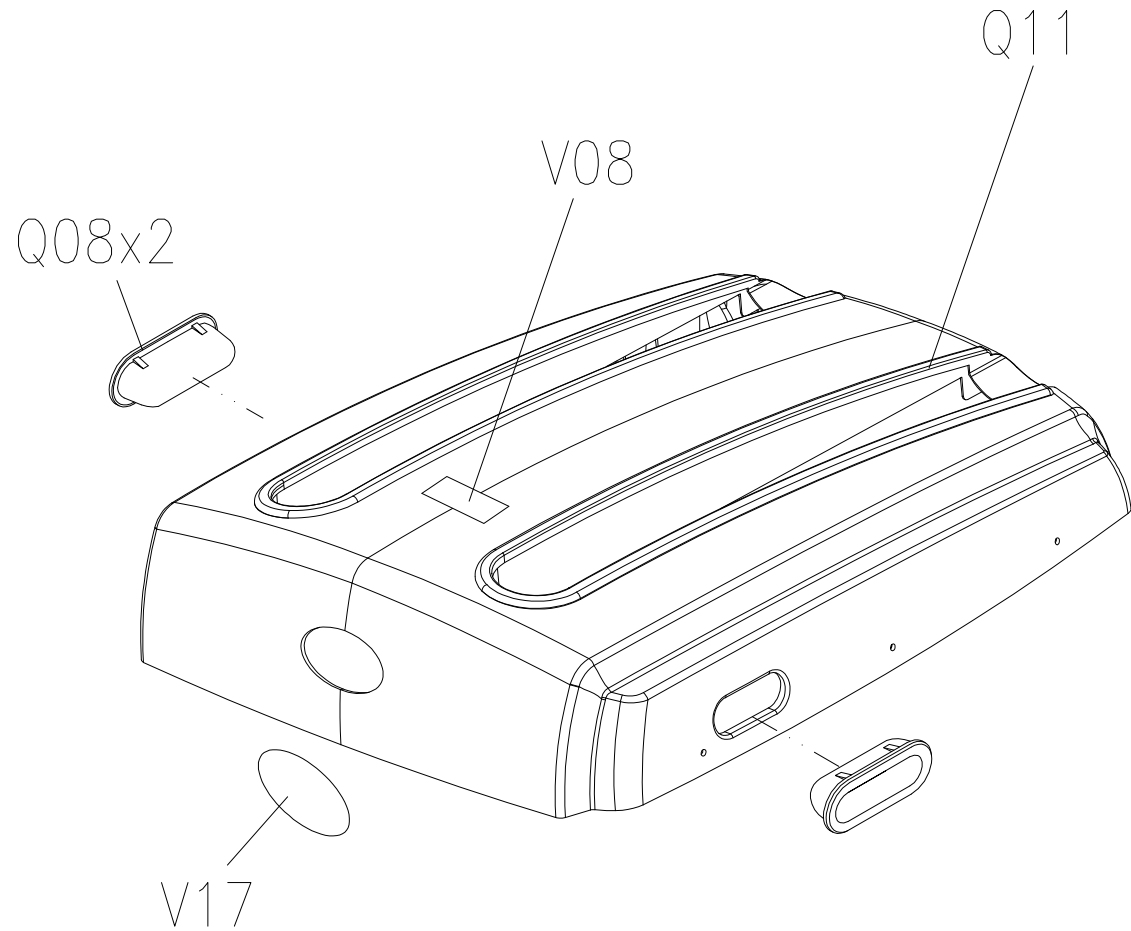
DRAWING NO	EP601-AQ11		
PART NAME	LEFT FRAME COVER SET		
PART NO	0000096021  B		
APPROVE	Tsaijw	DATE	20110218



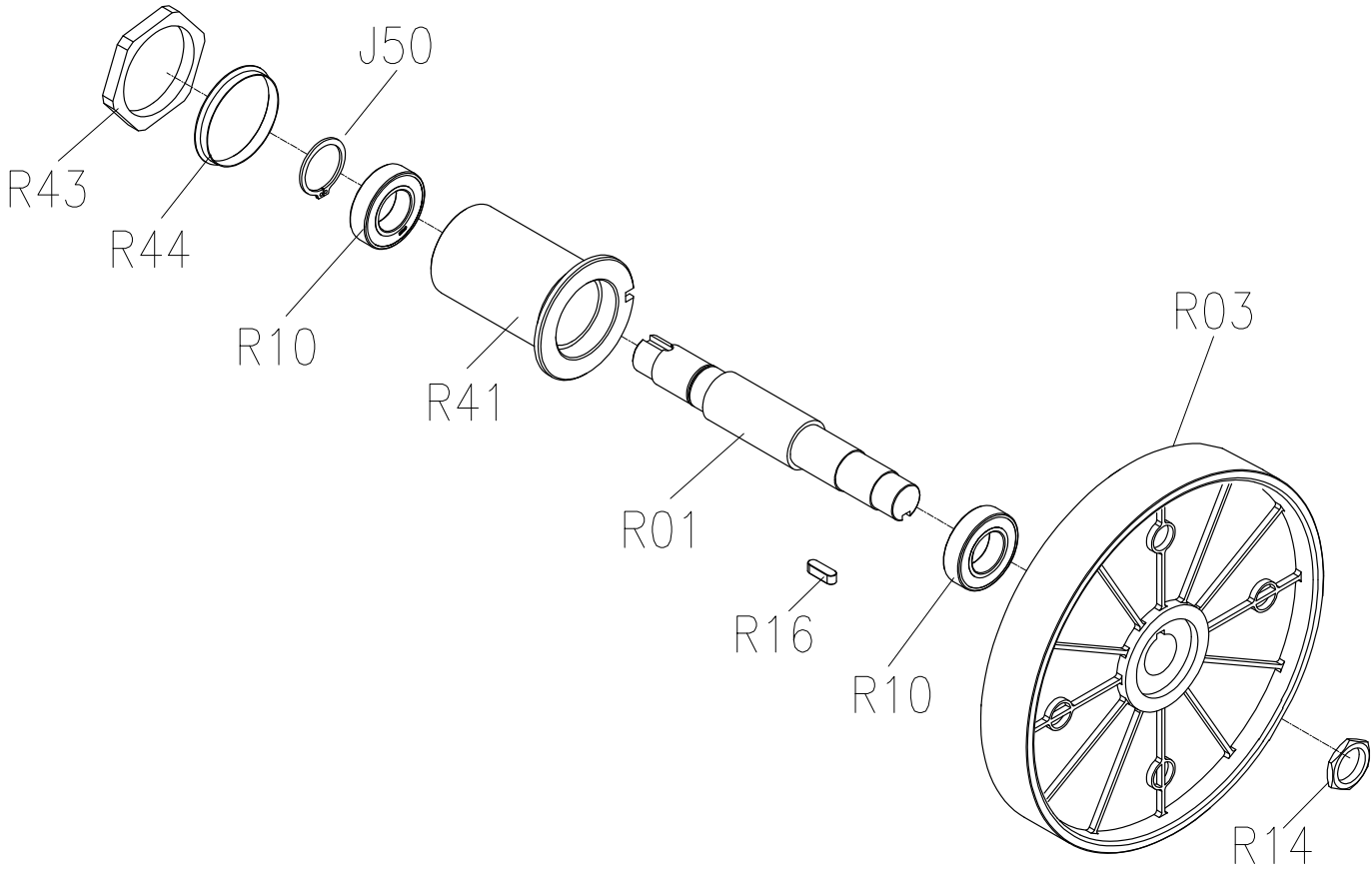
DRAWING NO	EP601-AQ12		
PART NAME	RIGHT FRAME COVER SET		
PART NO	0000096023		B
APPROVE	Tsaijw	DATE	20110218



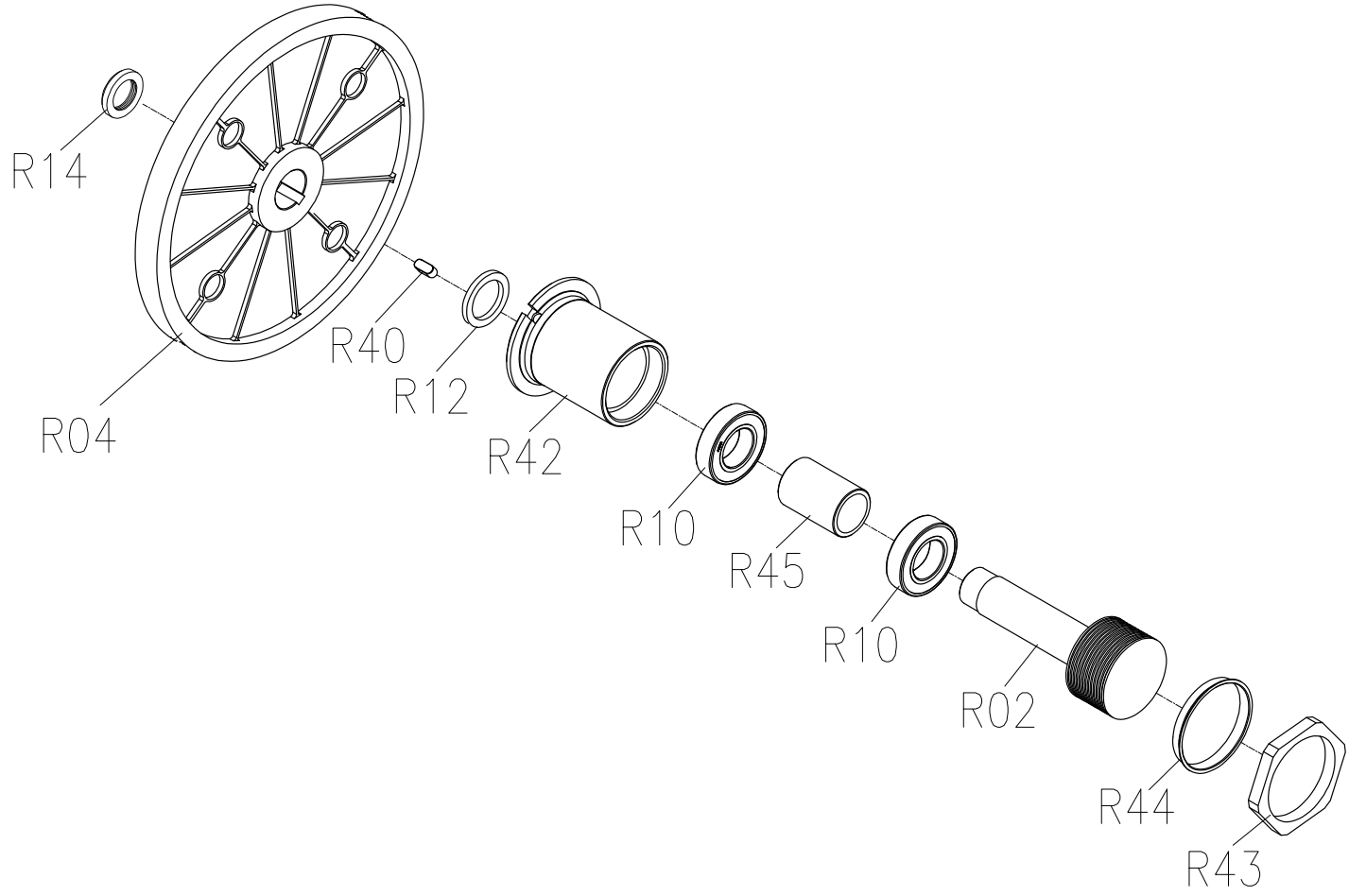
DRAWING NO	EP601-AQ13		
PART NAME	FRAME REAR COVER SET		
PART NO	0000096040	REV	B
APPROVE	Tsaijw	DATE	20110218



DRAWING NO	EP95-AR11		
PART NAME	DRIVE AXLE SET		
PART NO	0000090231		
APPROVE	Tsaijw	DATE	20110221



DRAWING NO	EP95-AR12		
PART NAME	PULLEY SET		
PART NO	0000090232	REV	B
APPROVE	Tsaijw	DATE	20110221



DRAWING NO	EP95-AT1		
PART NAME	TENSION WHEEL SET		
PART NO	REF ID		
APPROVE	Tsaijw	DATE	20110218

