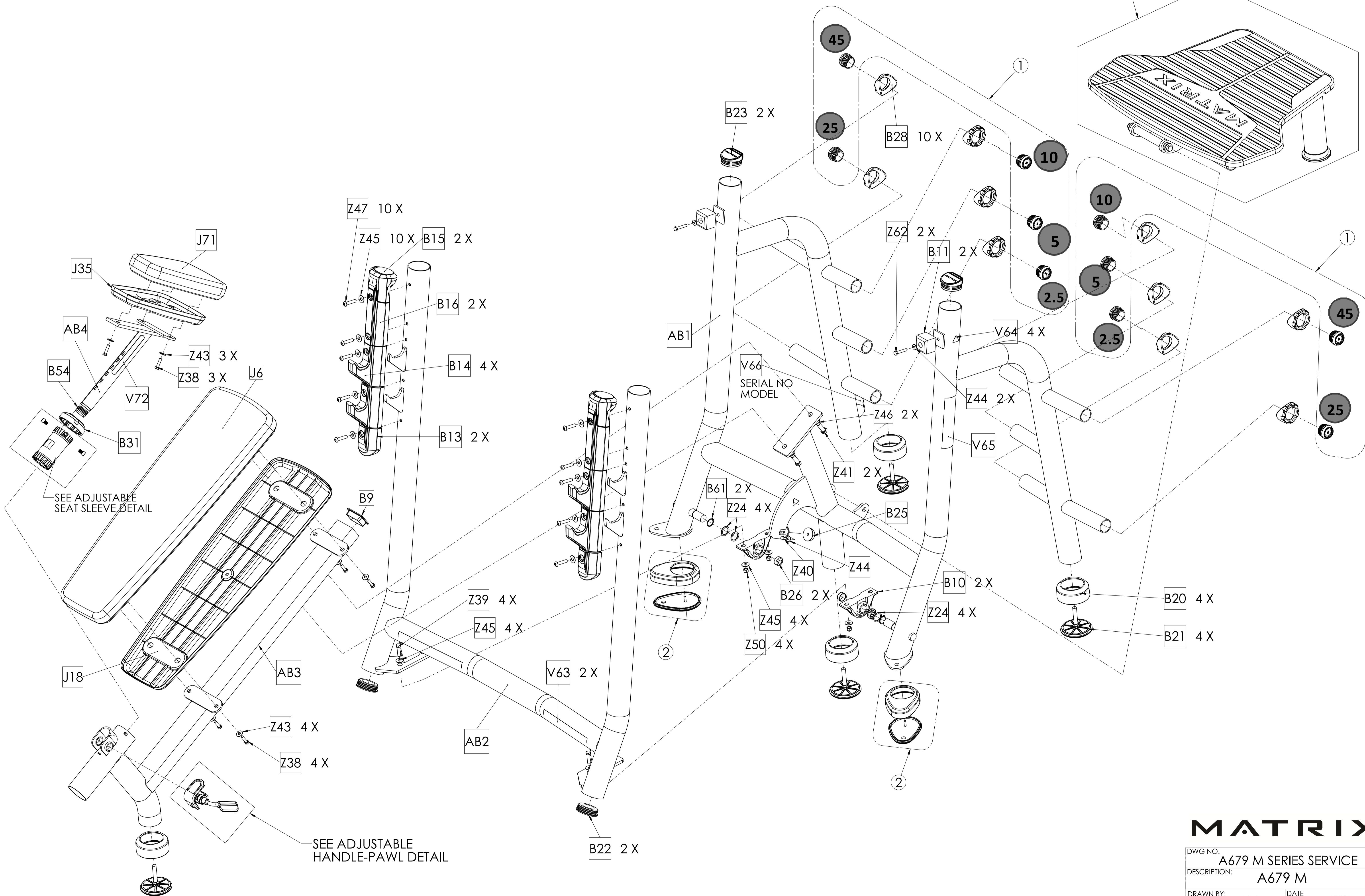


SEE LARGE SPOTTER STAND DETAIL

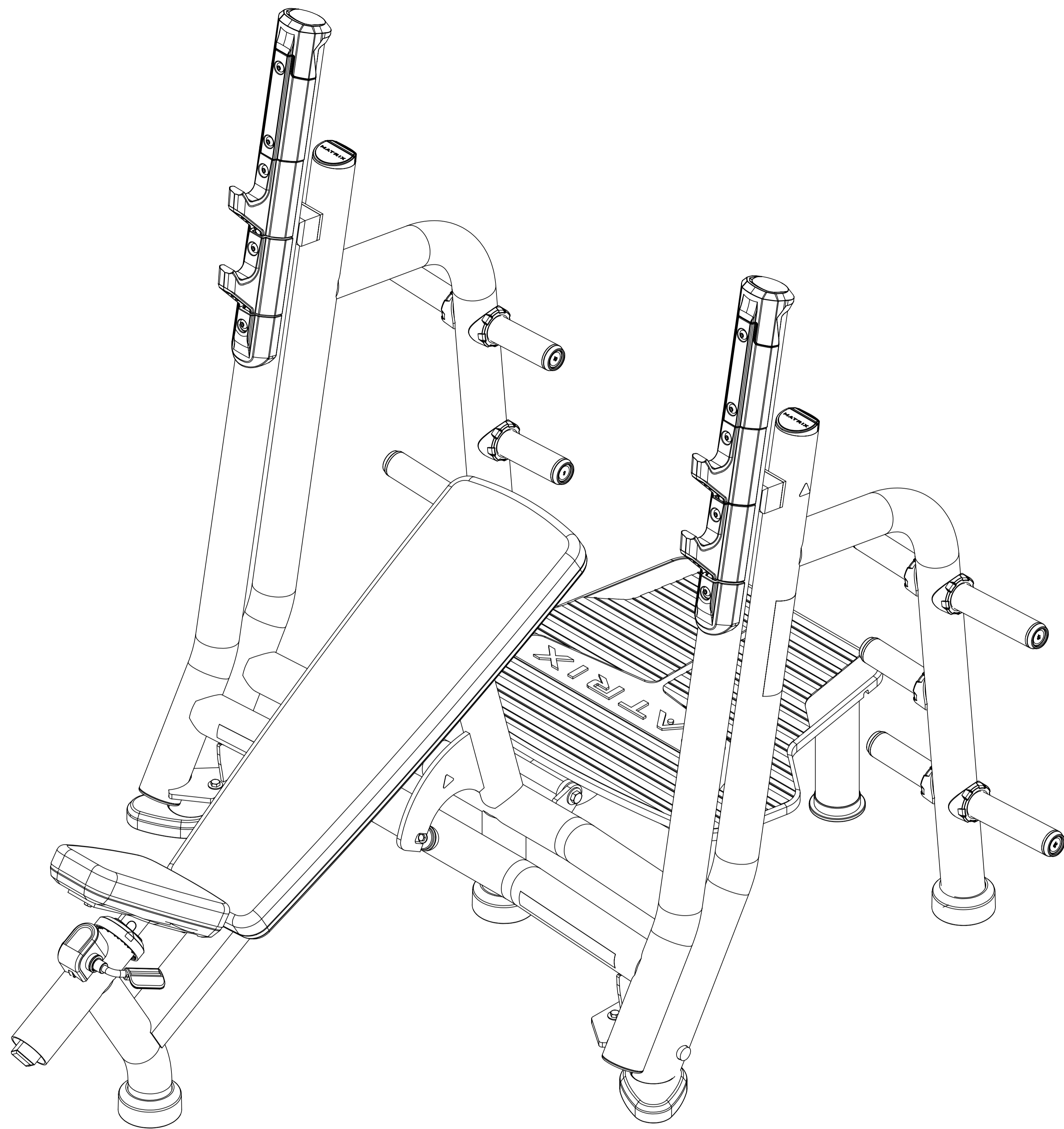


MATRIX

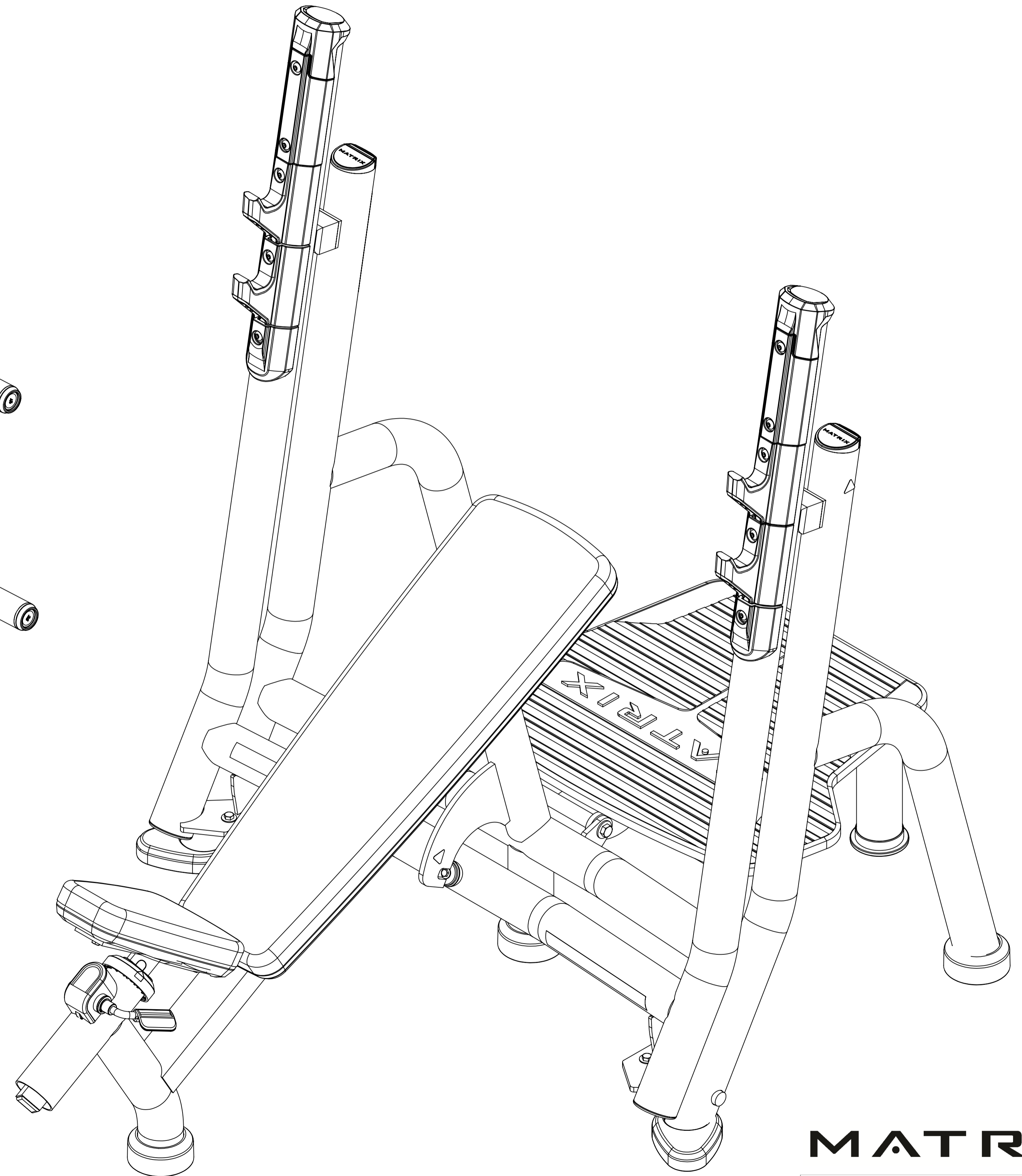
DWG NO. A679 M SERIES SERVICE

DESCRIPTION: A679 M

DRAWN BY:	JOHN	DATE	13.03.11
UPDATED BY:	--	DATE	--



A679 M
WITH WEIGHT HORNS
SHOWN IN EXPLODED VIEW
(SEE SHEET 1)

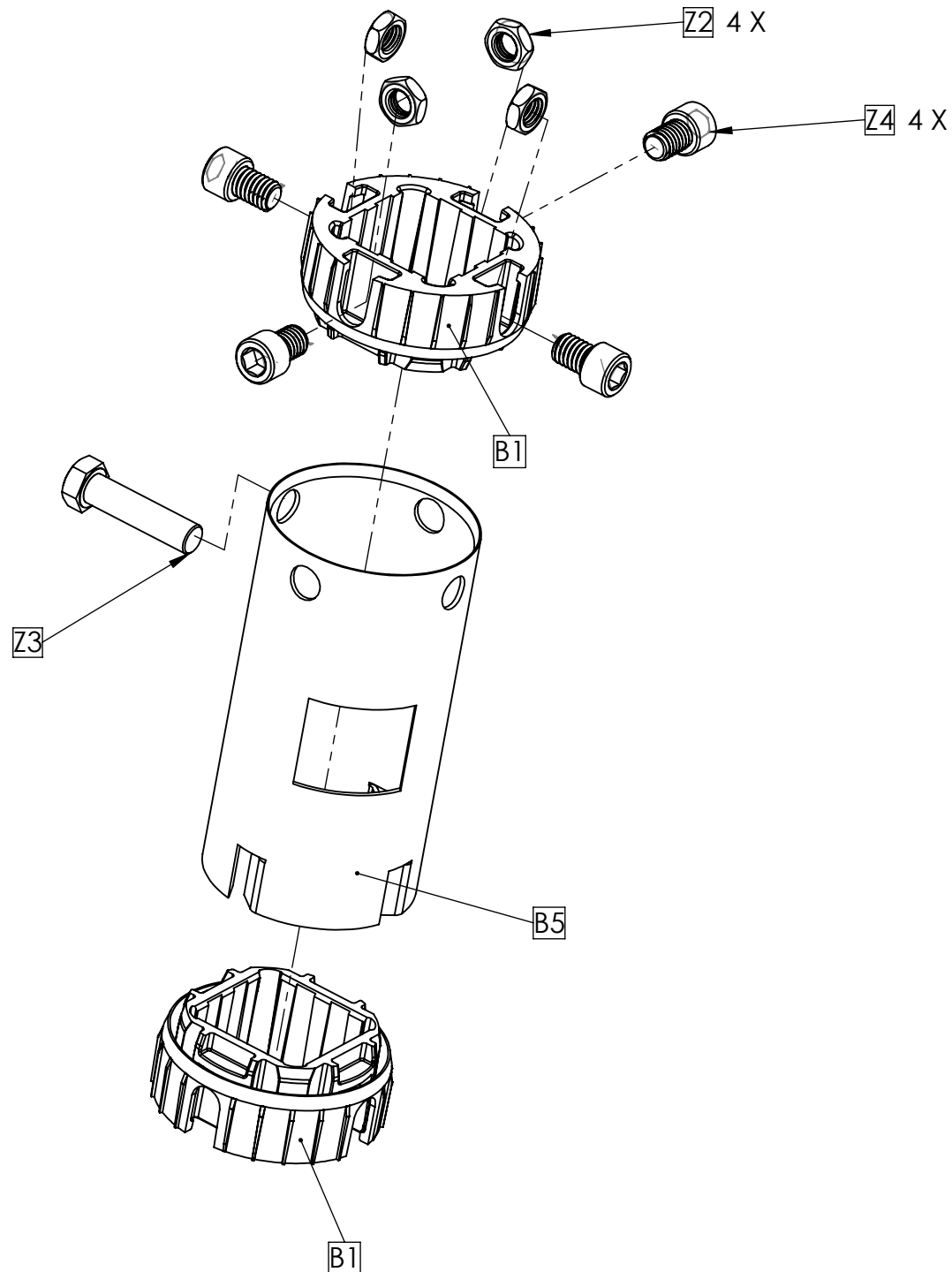


A679-N M
WITHOUT WEIGHT HORNS

MATRIX

DWG NO. A679 M SERIES SERVICE
DESCRIPTION: A679 M SERIES

DRAWN BY:	LMB	DATE	13.04.29
UPDATED BY:	--	DATE	--



MATRIX

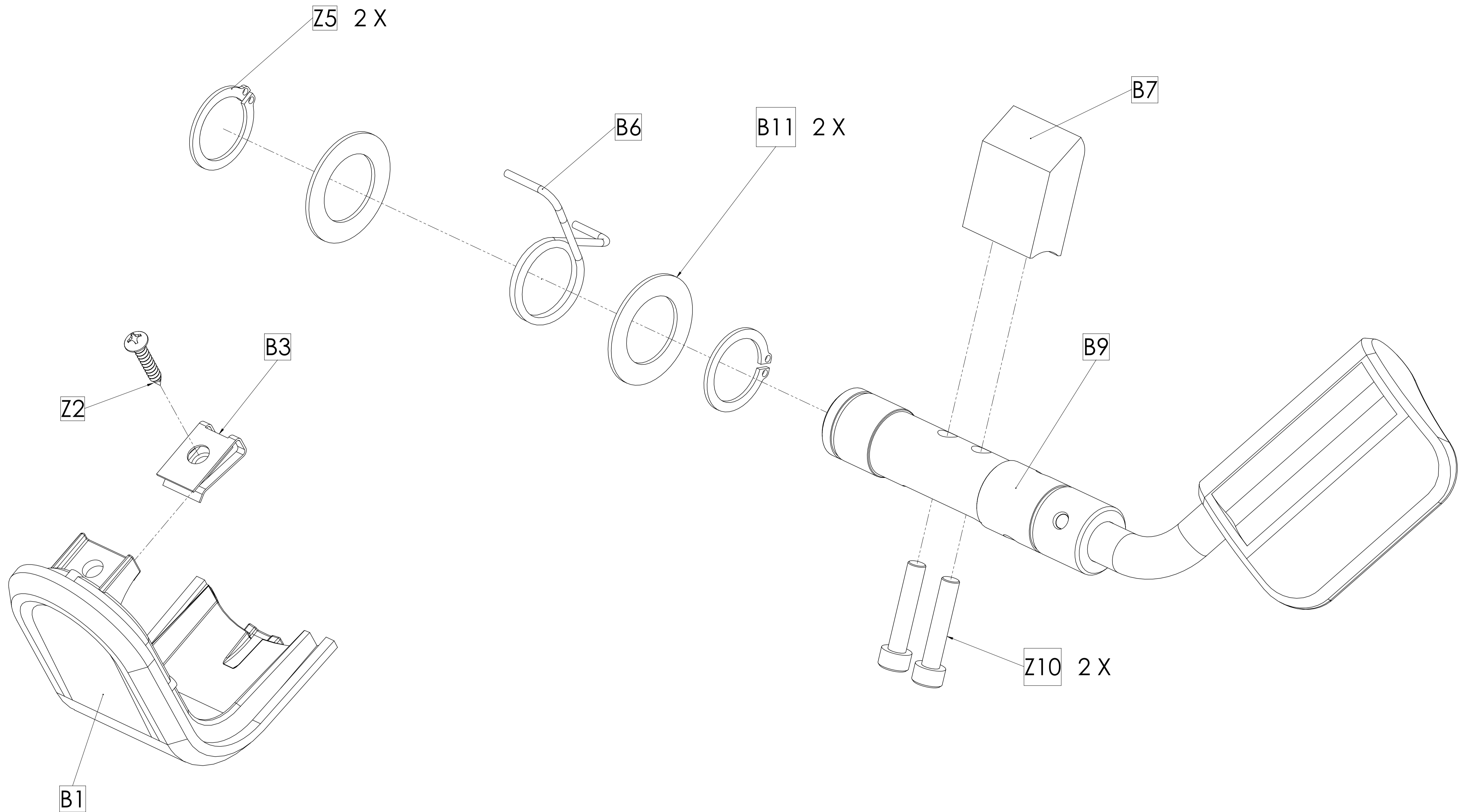
DWG. NO.

160-025 SEAT SLEEVE

DESCRIPTION:

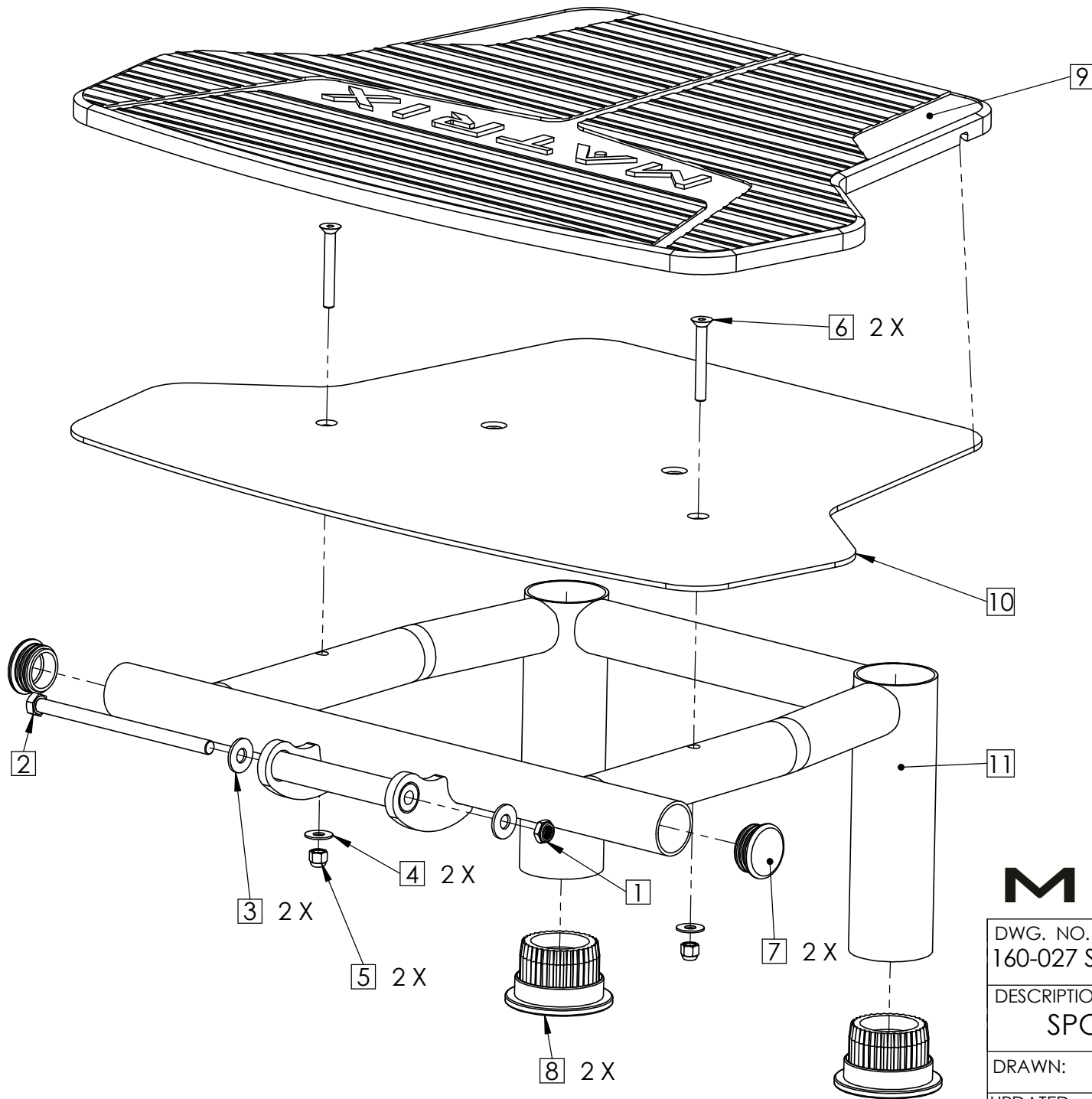
SEAT SLEEVE ASSEMBLY

DRAWN:	LMB	DATE	13.04.25
UPDATED:	--	DATE	--



MATRIX

DWG NO.	160-026 SERVICE		
DESCRIPTION:	Seat Adj (Handle) (Strength - Seat Adjustment)		
DRAWN BY:	LMB	DATE:	2014.JAN.06
UPDATED BY:	L.M.B.	DATE:	2015.JAN.29

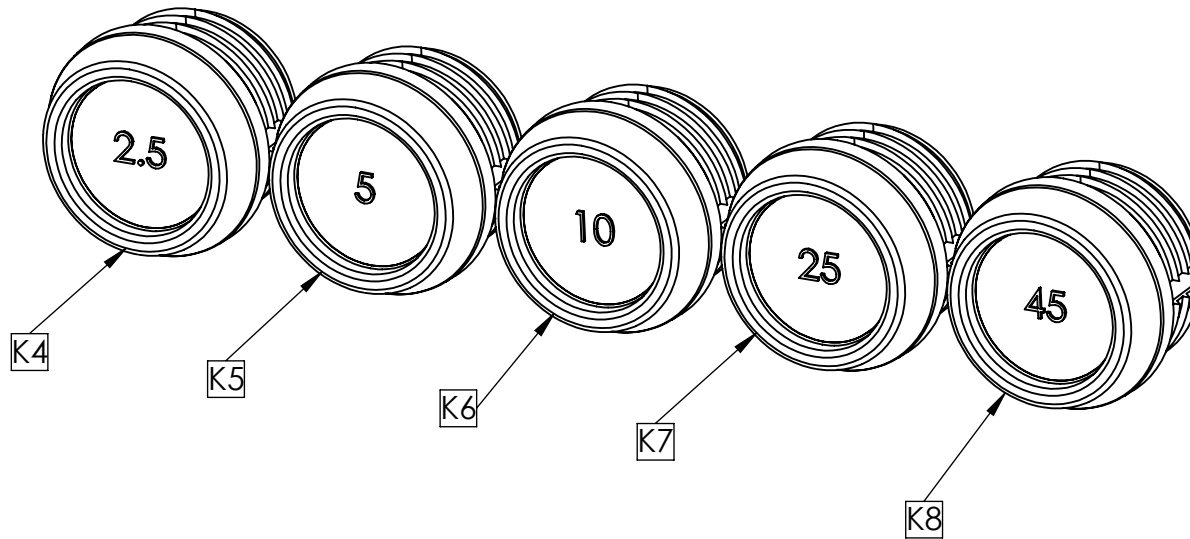


MATRIX

DWG. NO.
160-027 SERVICE SPOTTER STAND-LARGE

DESCRIPTION:
SPOTTER STAND-LARGE

DRAWN:	LMB	DATE	13.04.18
UPDATED:	--	DATE	--

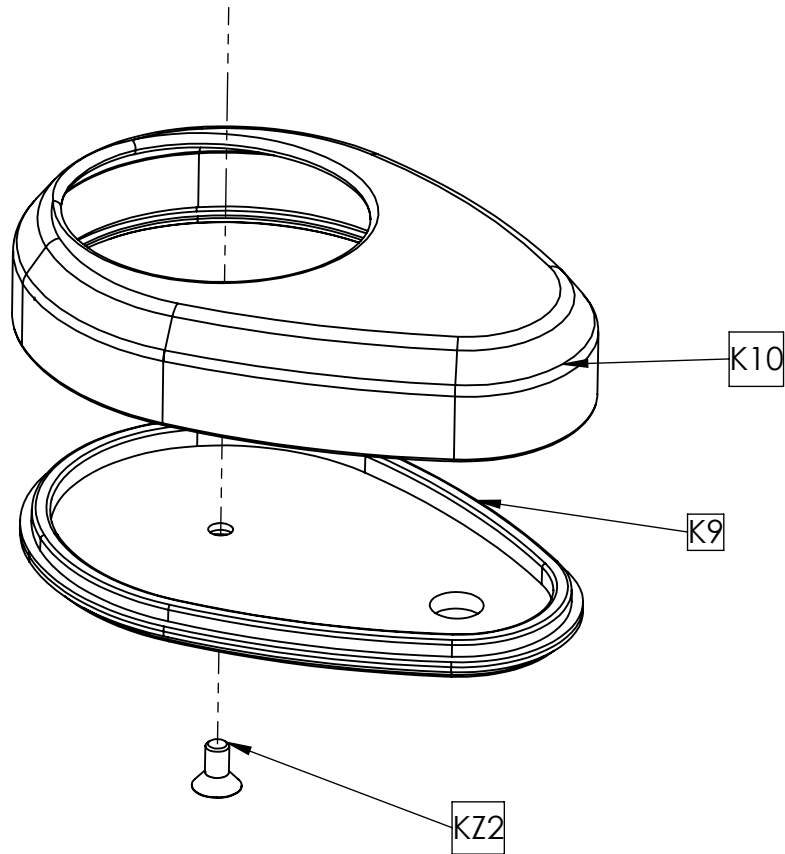


MATRIX

DWG. NO.
KIT8 WEIGHT HORNS

DESCRIPTION:
WEIGHT HORN KIT

DRAWN:	LMB	DATE	13.01.25
UPDATED:	--	DATE	--



MATRIX

DWG. NO.
KIT12 TEARDROP FOOT

DESCRIPTION:
MATRIX TEARDROP FOOT

DRAWN:	LMB	DATE	13.01.23
UPDATED:	--	DATE	--