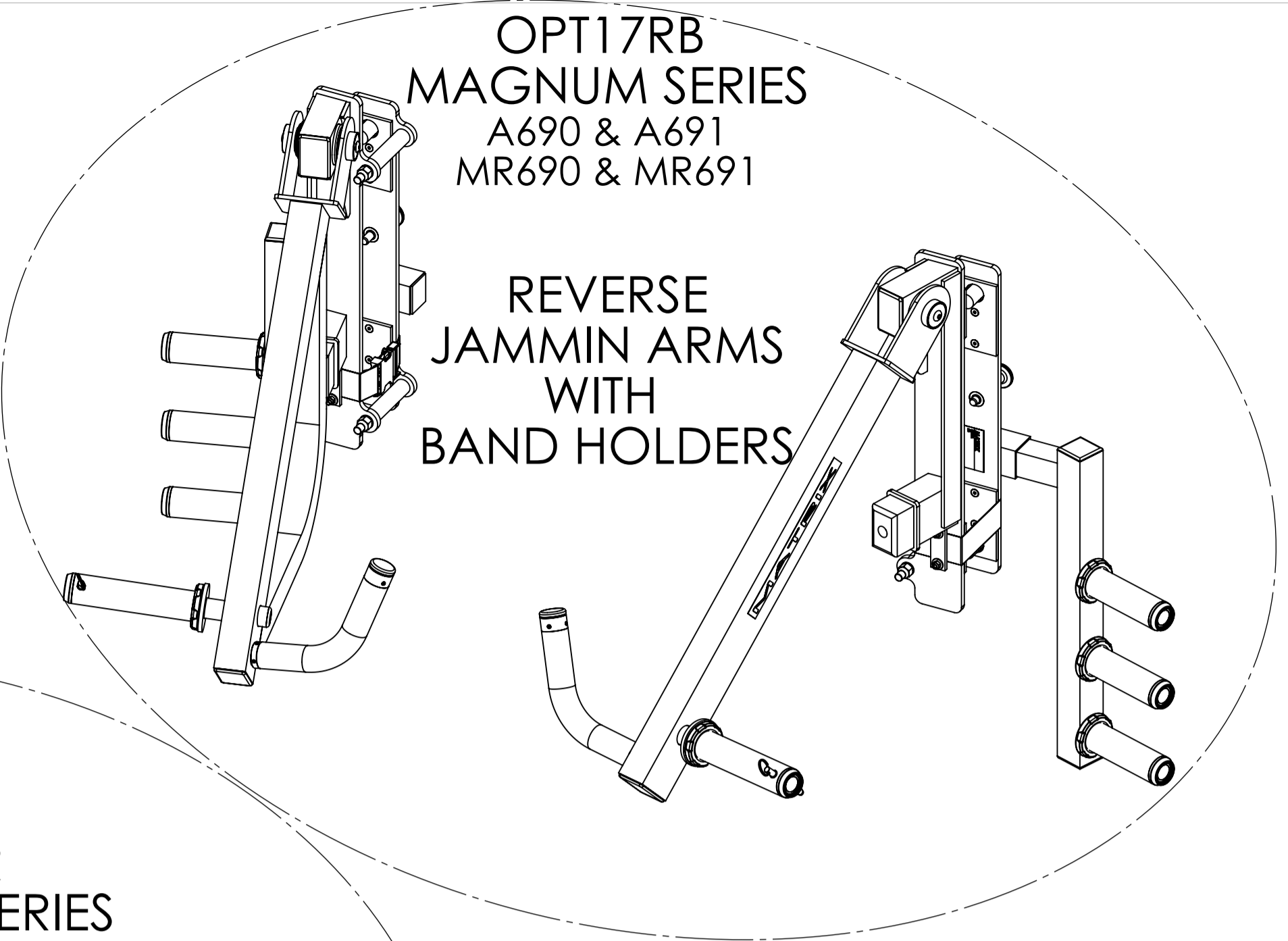


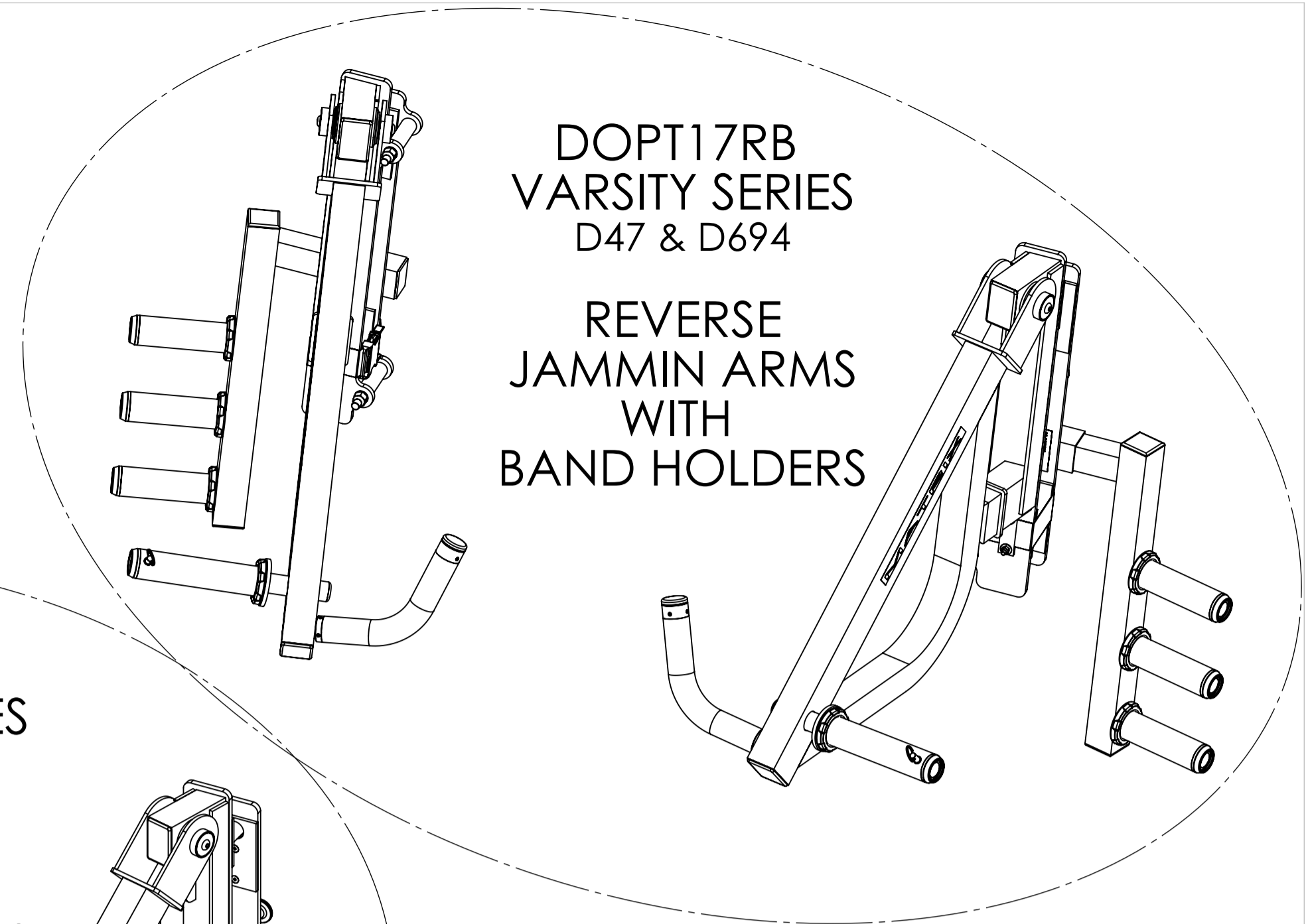
5 SERIAL NO.
MODEL NO.

DWG NO.			
OPT17 M SERIES SERVICE			
DESCRIPTION: JAMMIN ARMS SERIES (Racks & Platforms)			
DRAWN BY:	LMB	DATE:	2013.MAY.28
UPDATED BY:	LMB	DATE:	2014.DEC.8



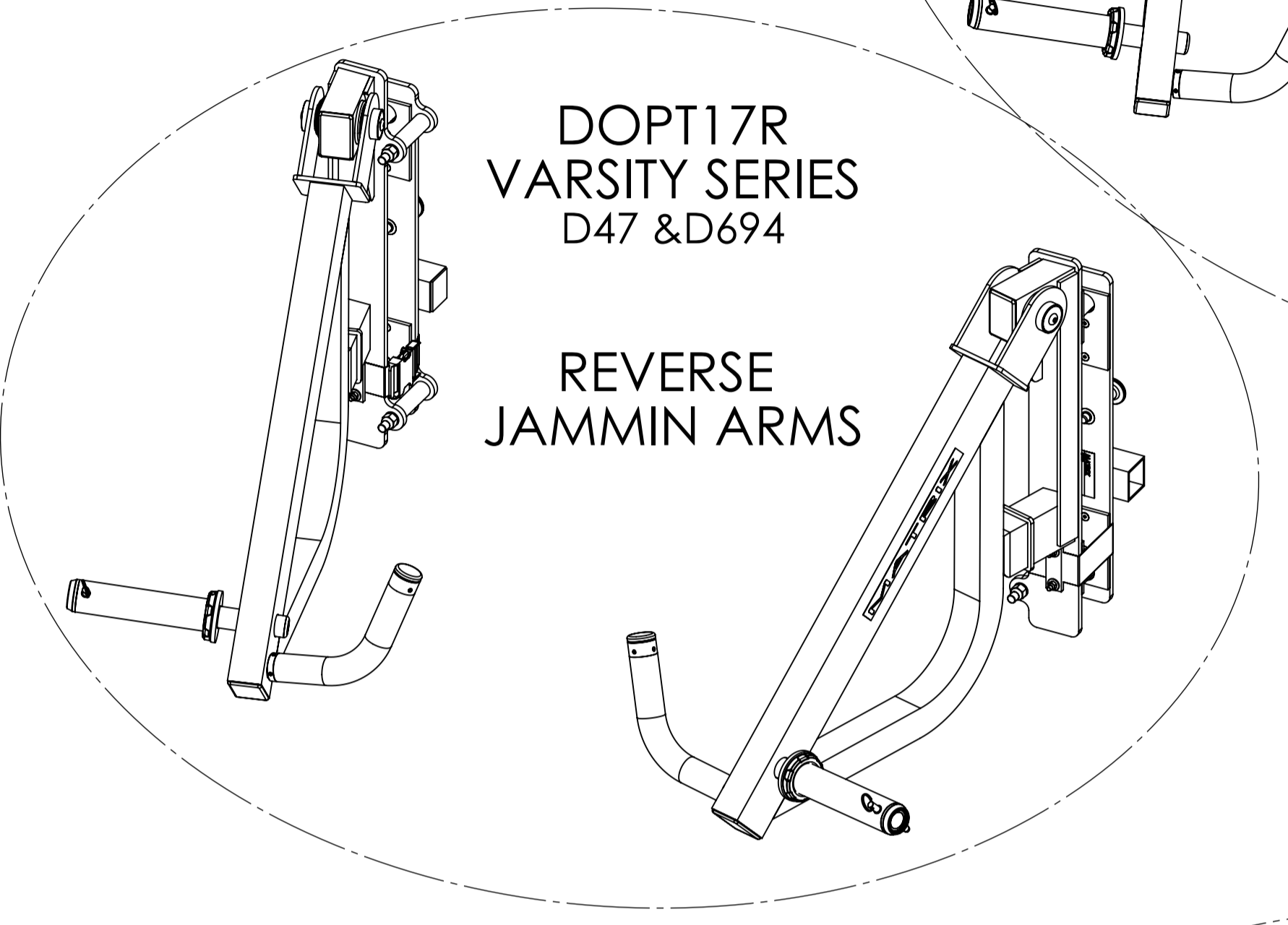
OPT17RB
MAGNUM SERIES
A690 & A691
MR690 & MR691

REVERSE
JAMMIN ARMS
WITH
BAND HOLDERS



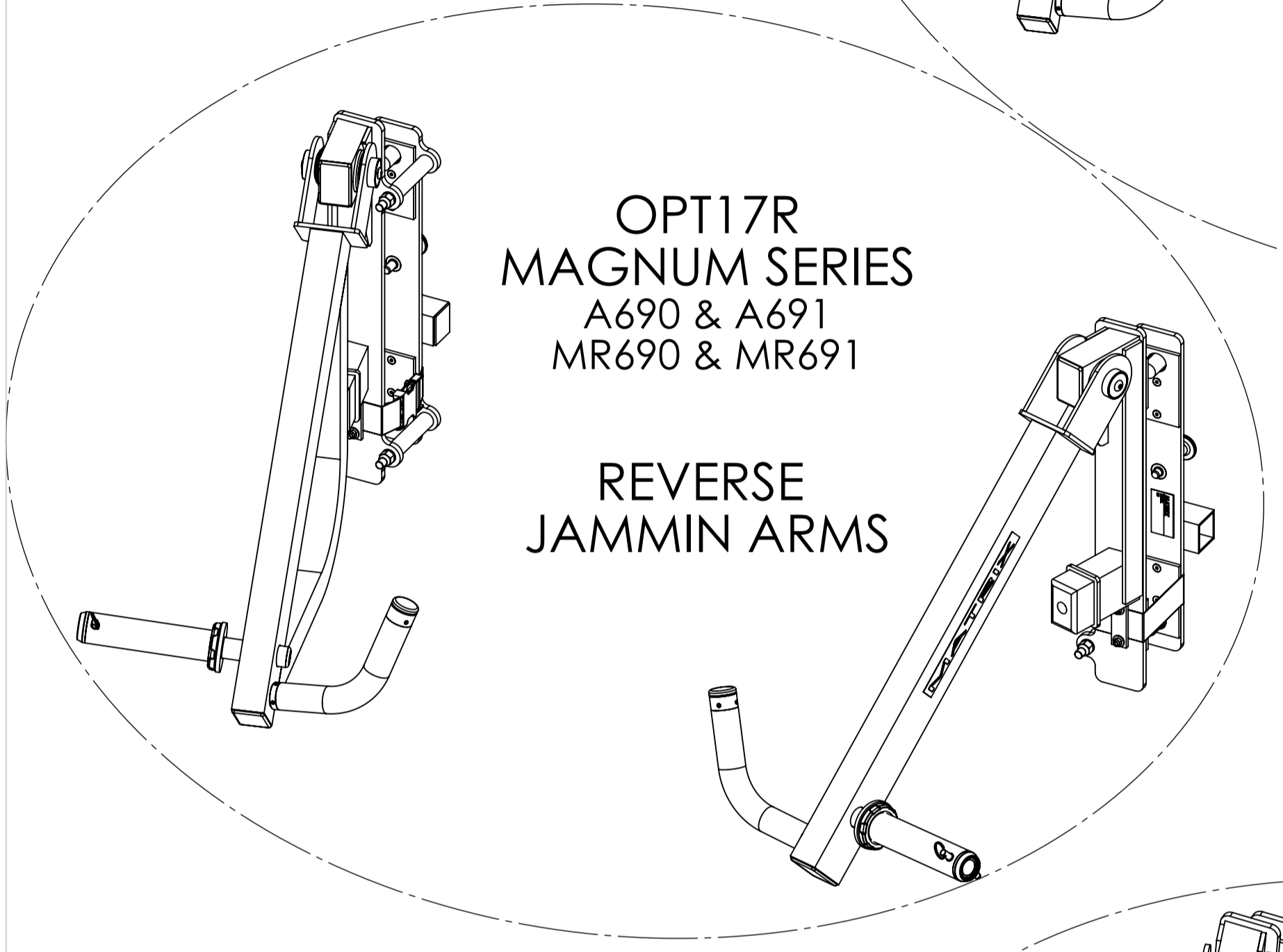
DOPT17RB
VARSITY SERIES
D47 & D694

REVERSE
JAMMIN ARMS
WITH
BAND HOLDERS



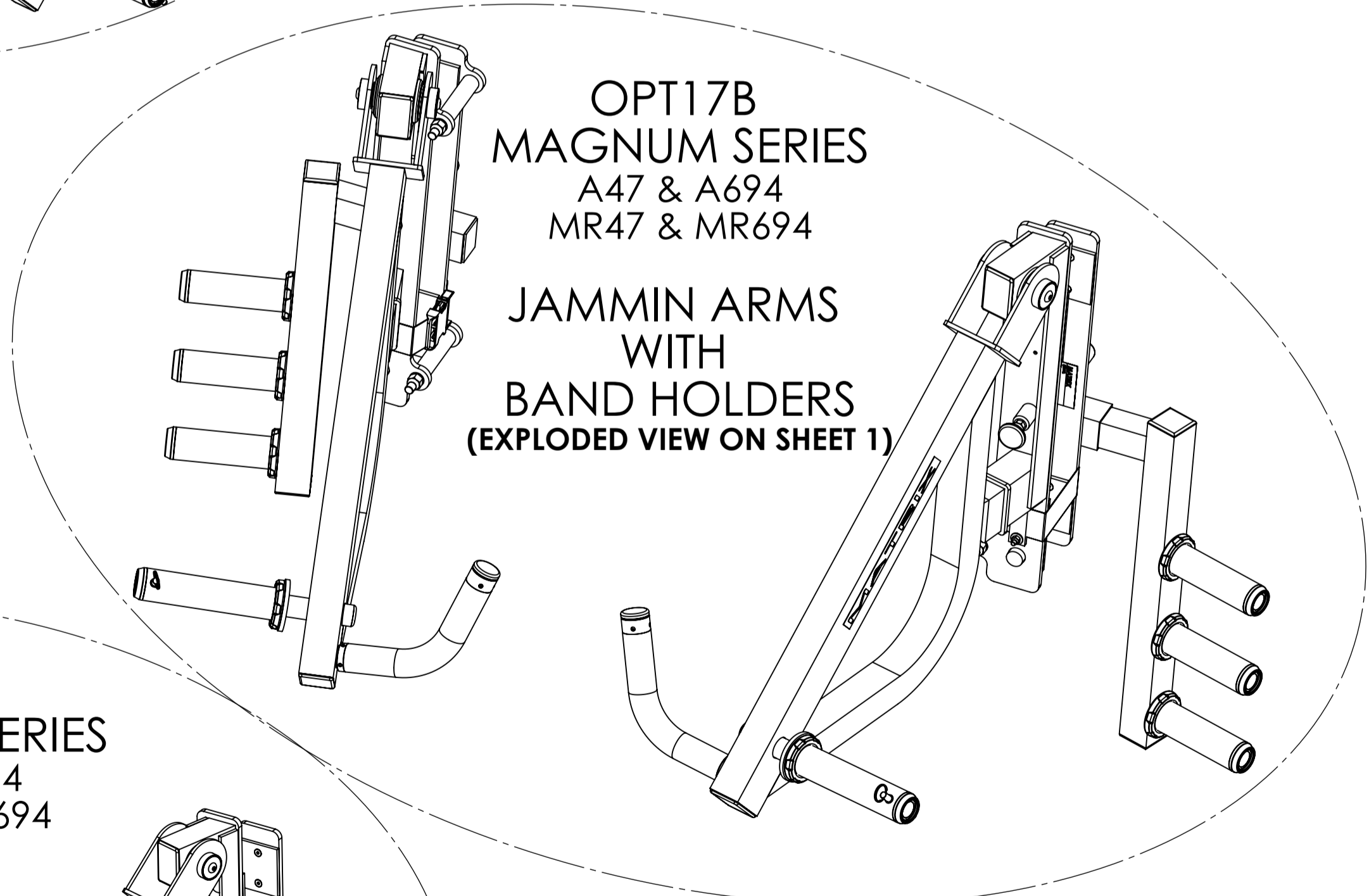
DOPT17R
VARSITY SERIES
D47 & D694

REVERSE
JAMMIN ARMS



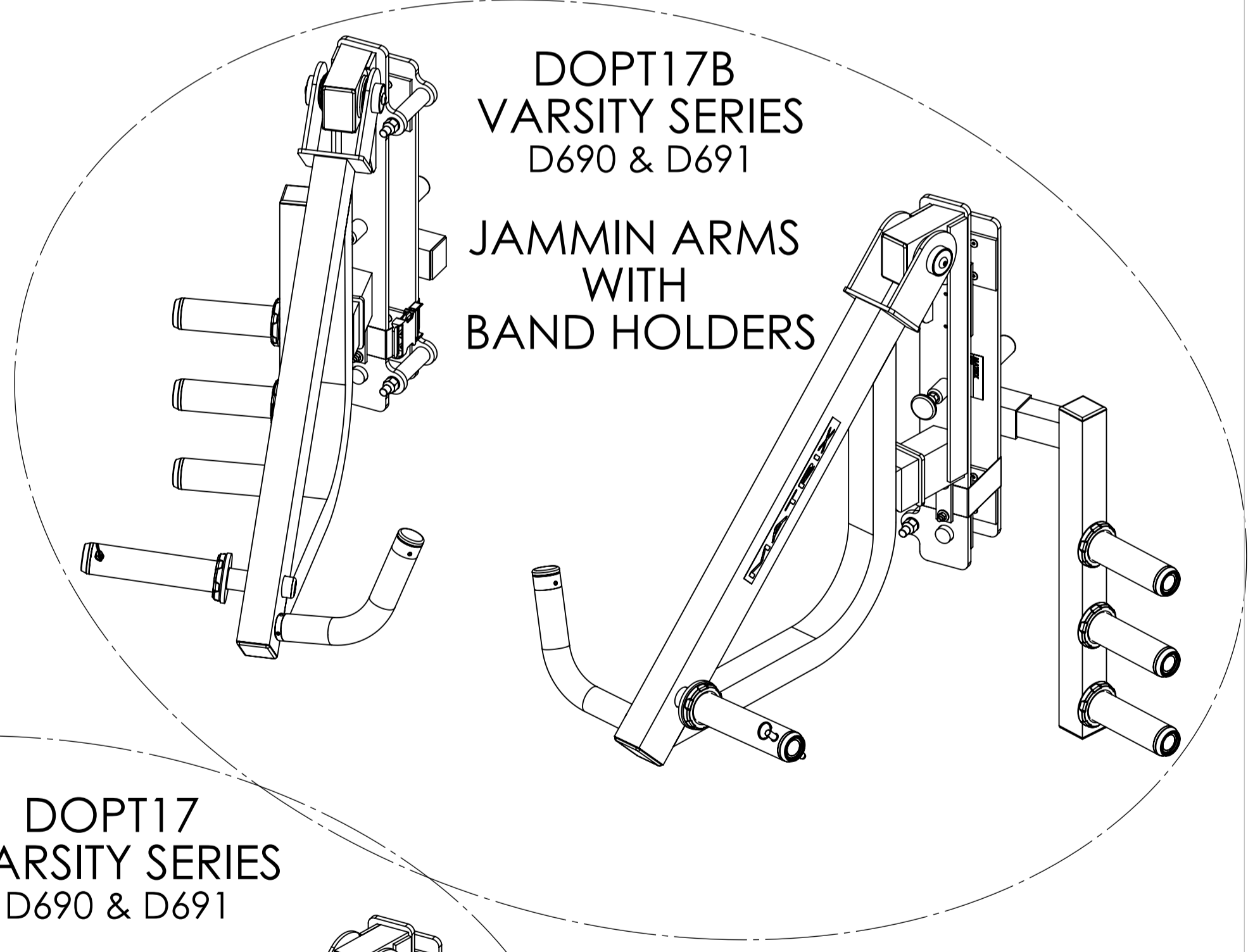
OPT17R
MAGNUM SERIES
A690 & A691
MR690 & MR691

REVERSE
JAMMIN ARMS



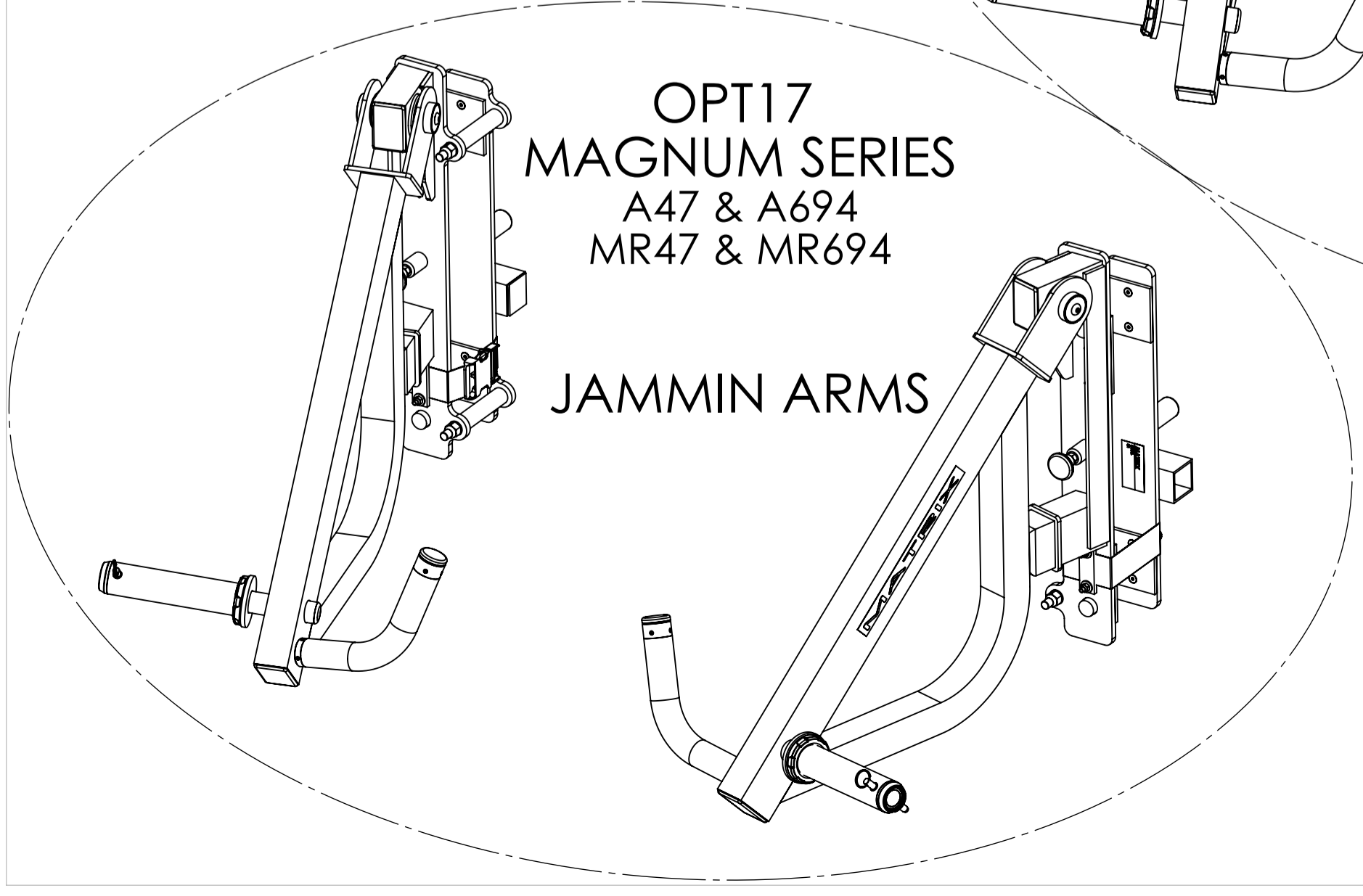
OPT17B
MAGNUM SERIES
A47 & A694
MR47 & MR694

JAMMIN ARMS
WITH
BAND HOLDERS
(EXPLODED VIEW ON SHEET 1)



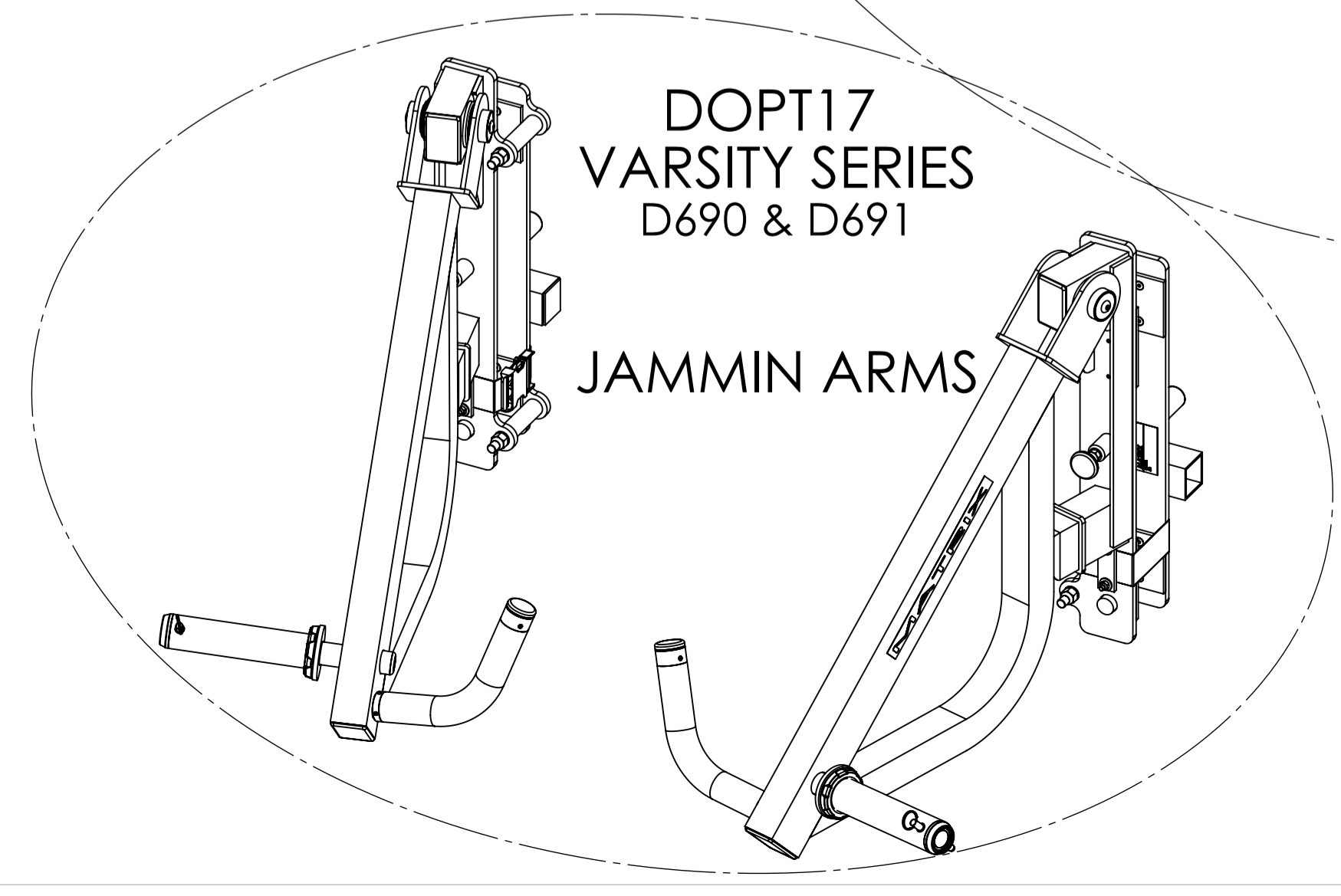
DOPT17B
VARSITY SERIES
D690 & D691

JAMMIN ARMS
WITH
BAND HOLDERS



OPT17
MAGNUM SERIES
A47 & A694
MR47 & MR694

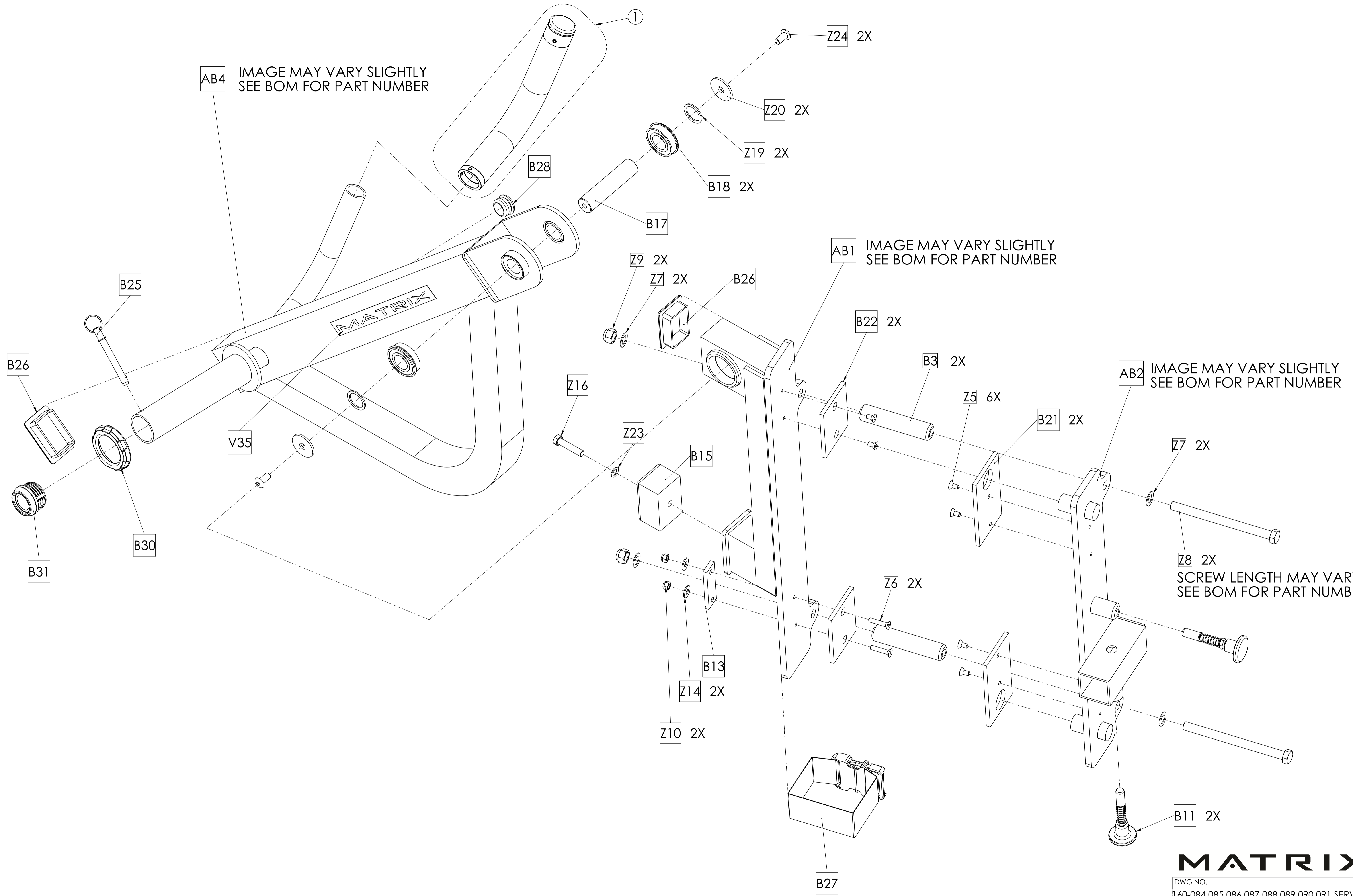
JAMMIN ARMS



DOPT17
VARSITY SERIES
D690 & D691

JAMMIN ARMS

DWG NO.		OPT17 M SERIES SERVICE	
DESCRIPTION:		JAMMIN ARMS SERIES (Racks & Platforms)	
DRAWN BY:	LMB	DATE:	2013.MAY.28
UPDATED BY:	LMB	DATE:	2014.DEC.8



AB4 IMAGE MAY VARY SLIGHTLY
SEE BOM FOR PART NUMBER

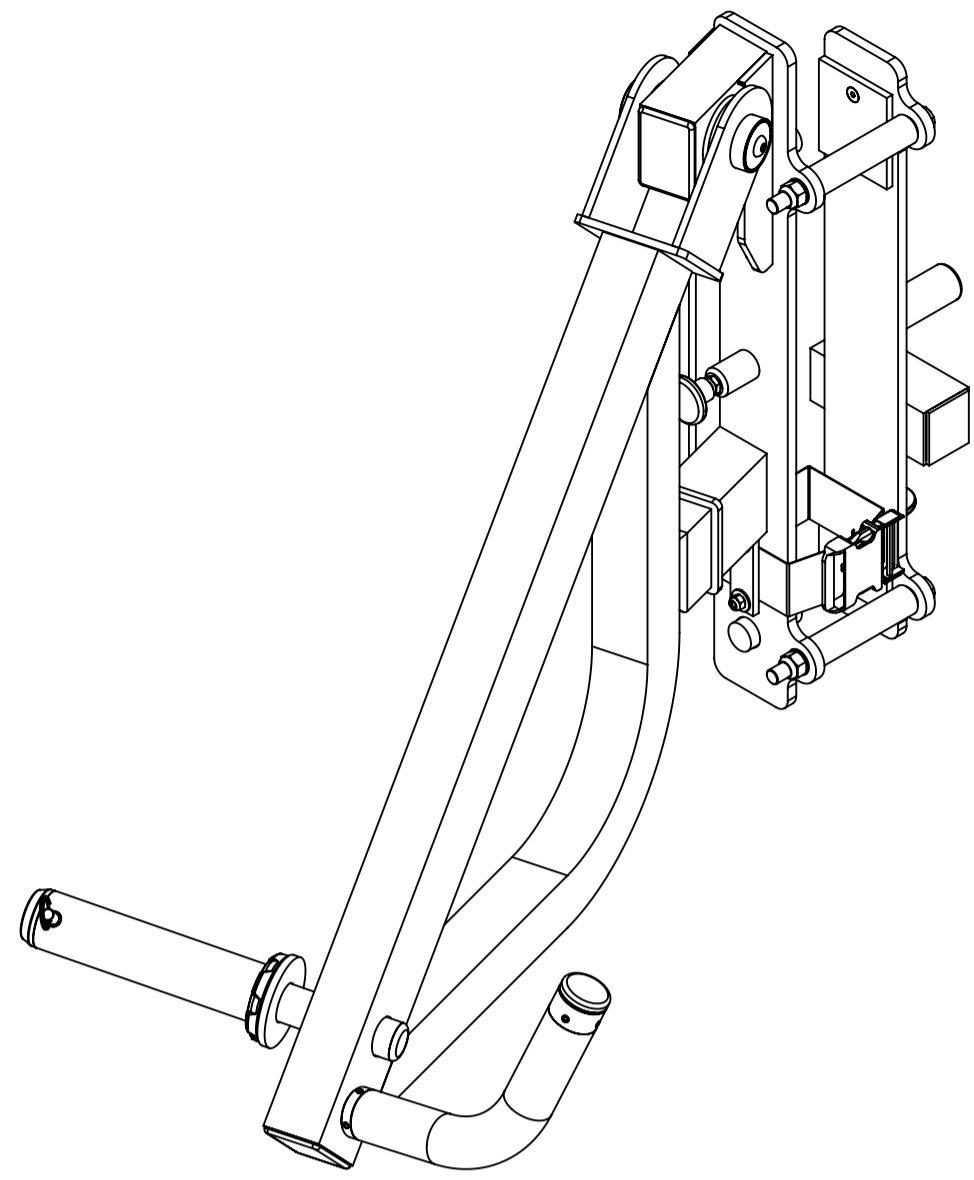
AB1 IMAGE MAY VARY SLIGHTLY
SEE BOM FOR PART NUMBER

AB2 IMAGE MAY VARY SLIGHTLY
SEE BOM FOR PART NUMBER

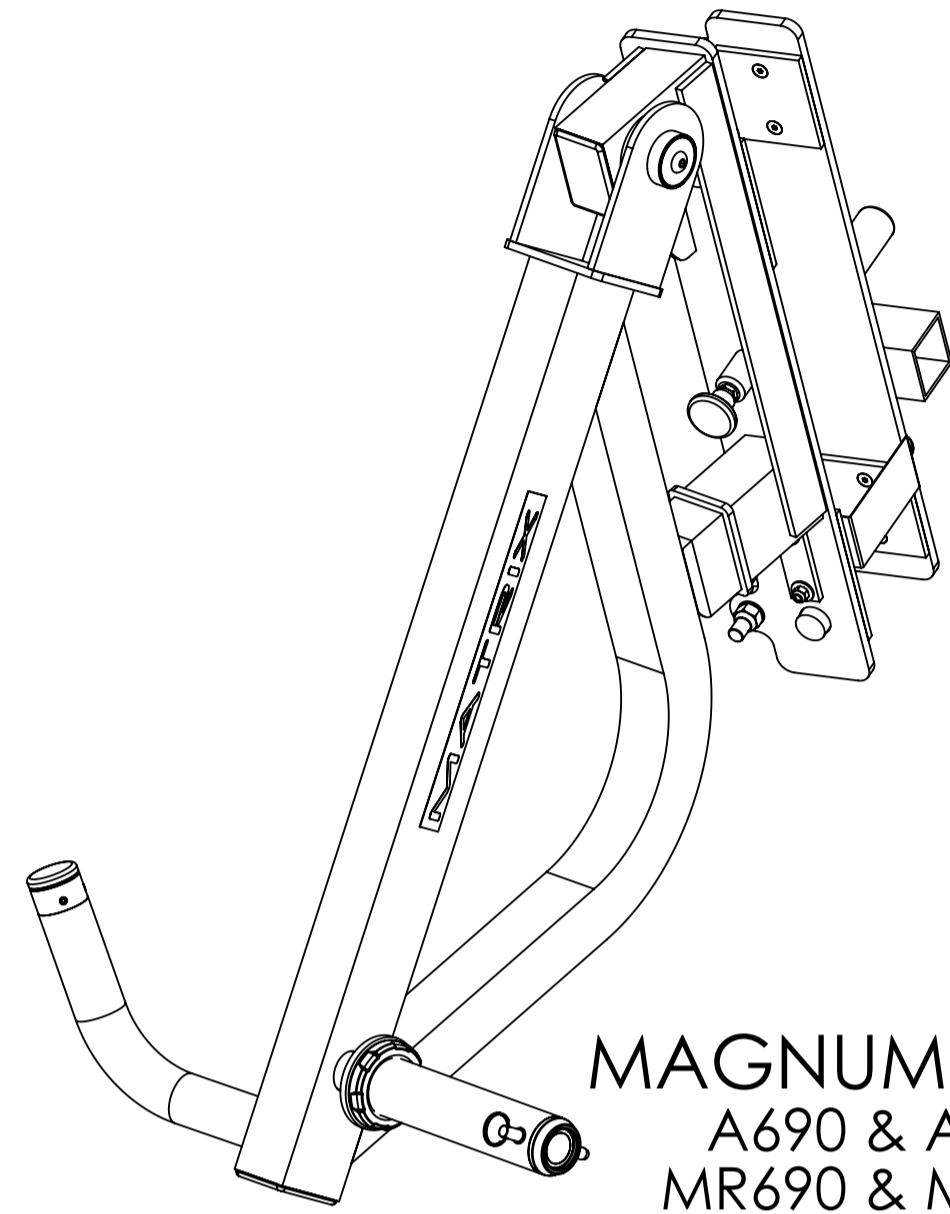
Z8 2X
SCREW LENGTH MAY VARY
SEE BOM FOR PART NUMBER

NOTE: ASSEMBLY MAY VARY
FOR OPPOSITE MOUNTING ORIENTATION
(SEE BOM FOR PART NUMBERS)

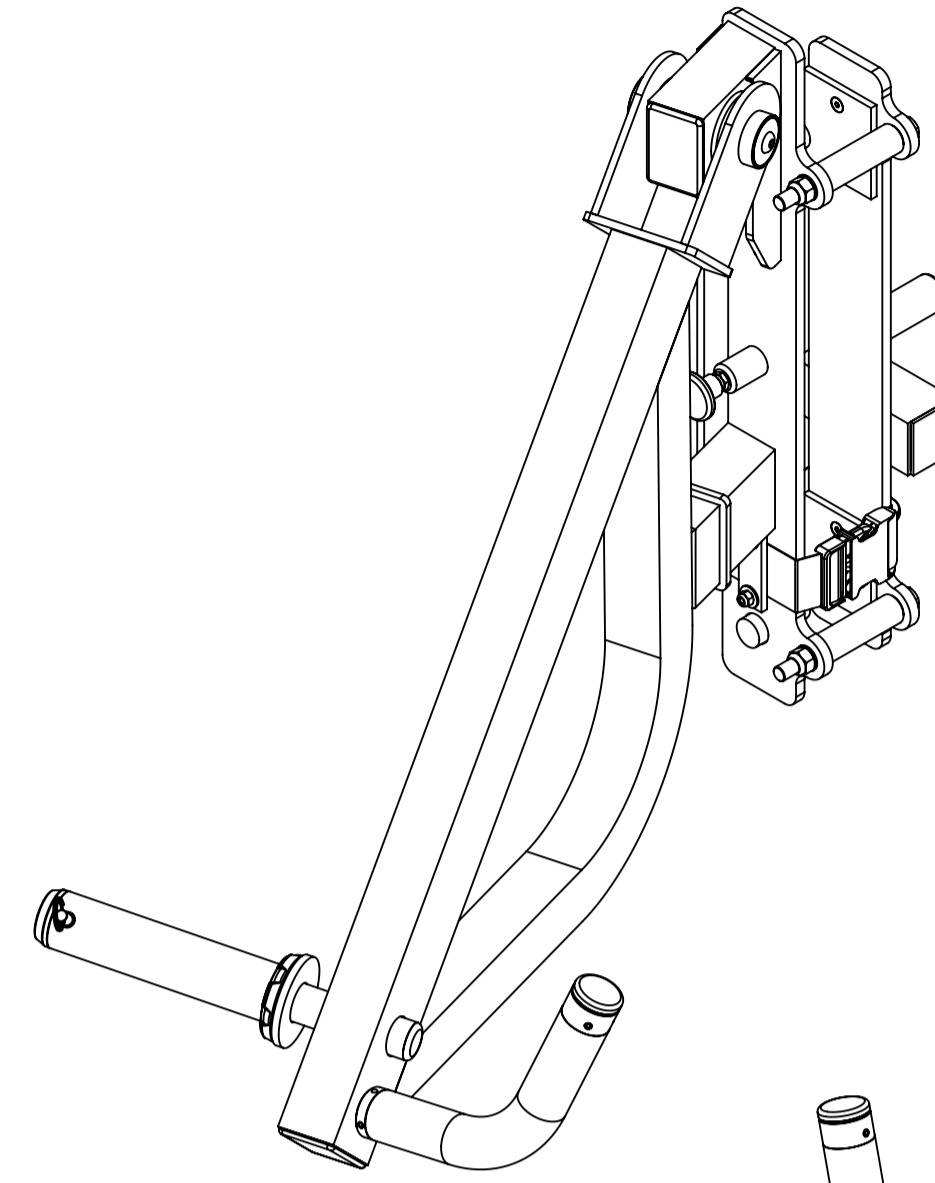
MATRIX	
DWG NO. 160-084,085,086,087,088,089,090,091 SERVICE	
DESCRIPTION: JAMMIN ARM OPT17 (Racks & Platforms)	
DRAWN BY: LMB	DATE: 2013.MAY.31
UPDATED BY: LMB	DATE: 2016.SEP.02



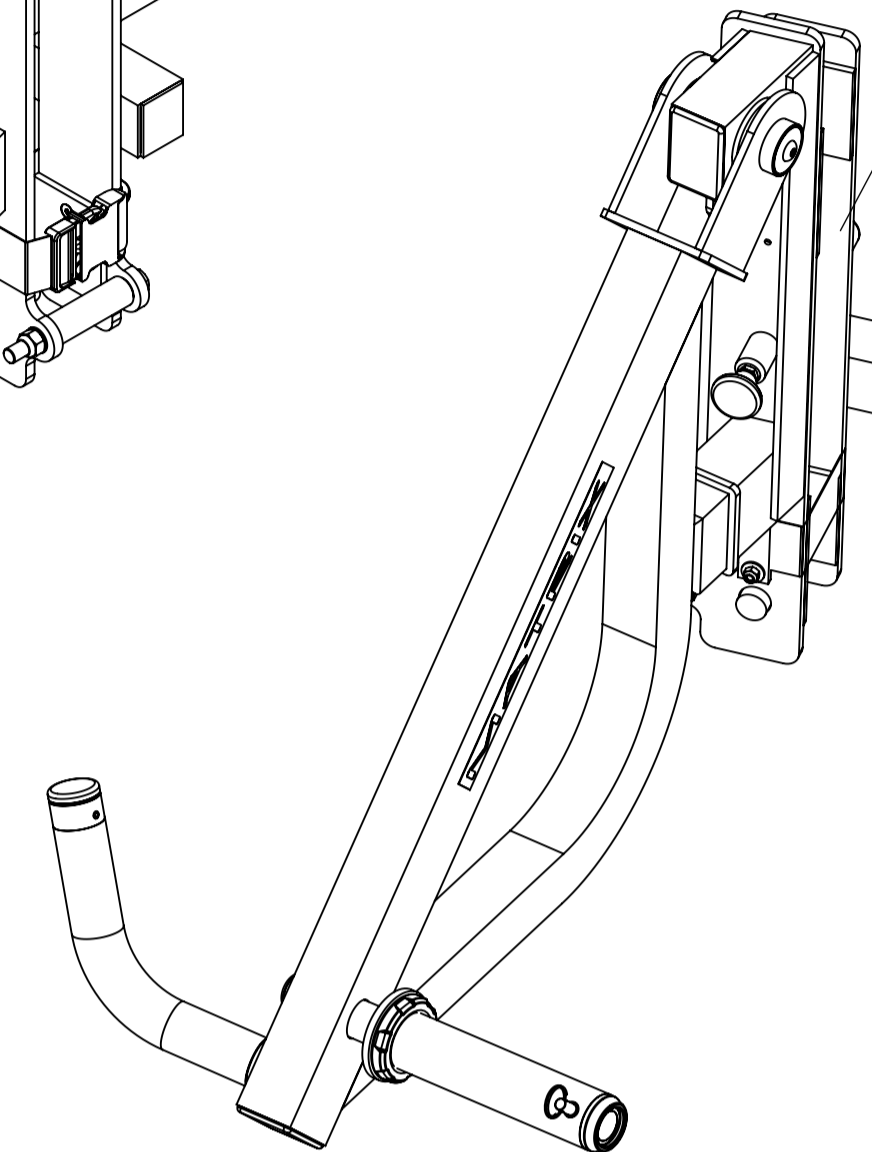
MAGNUM SERIES
A690 & A691
MR690 & MR691
RIGHT
JAMMIN ARM ASSEMBLY



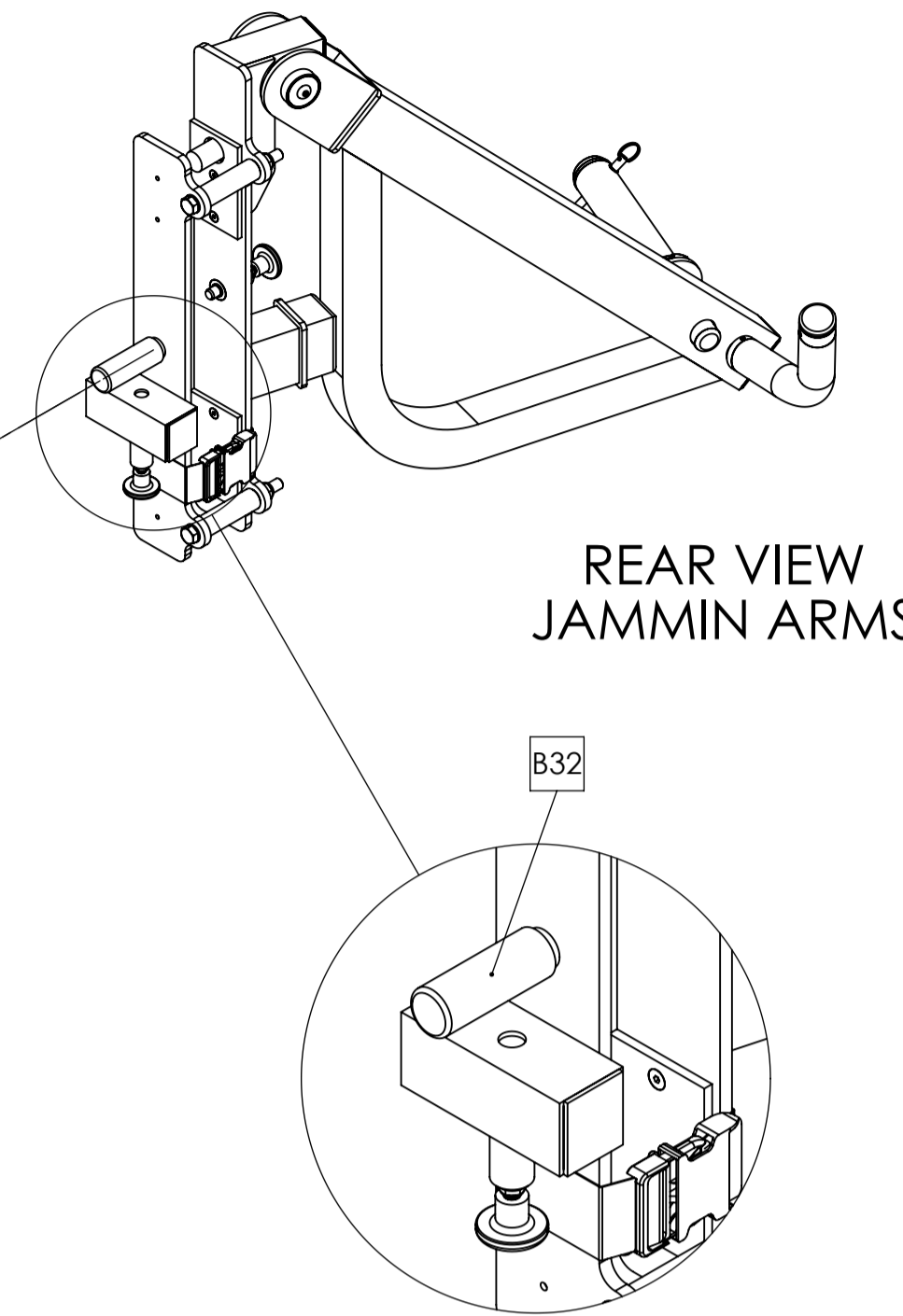
MAGNUM SERIES
A690 & A691
MR690 & MR691
LEFT
JAMMIN ARM ASSEMBLY



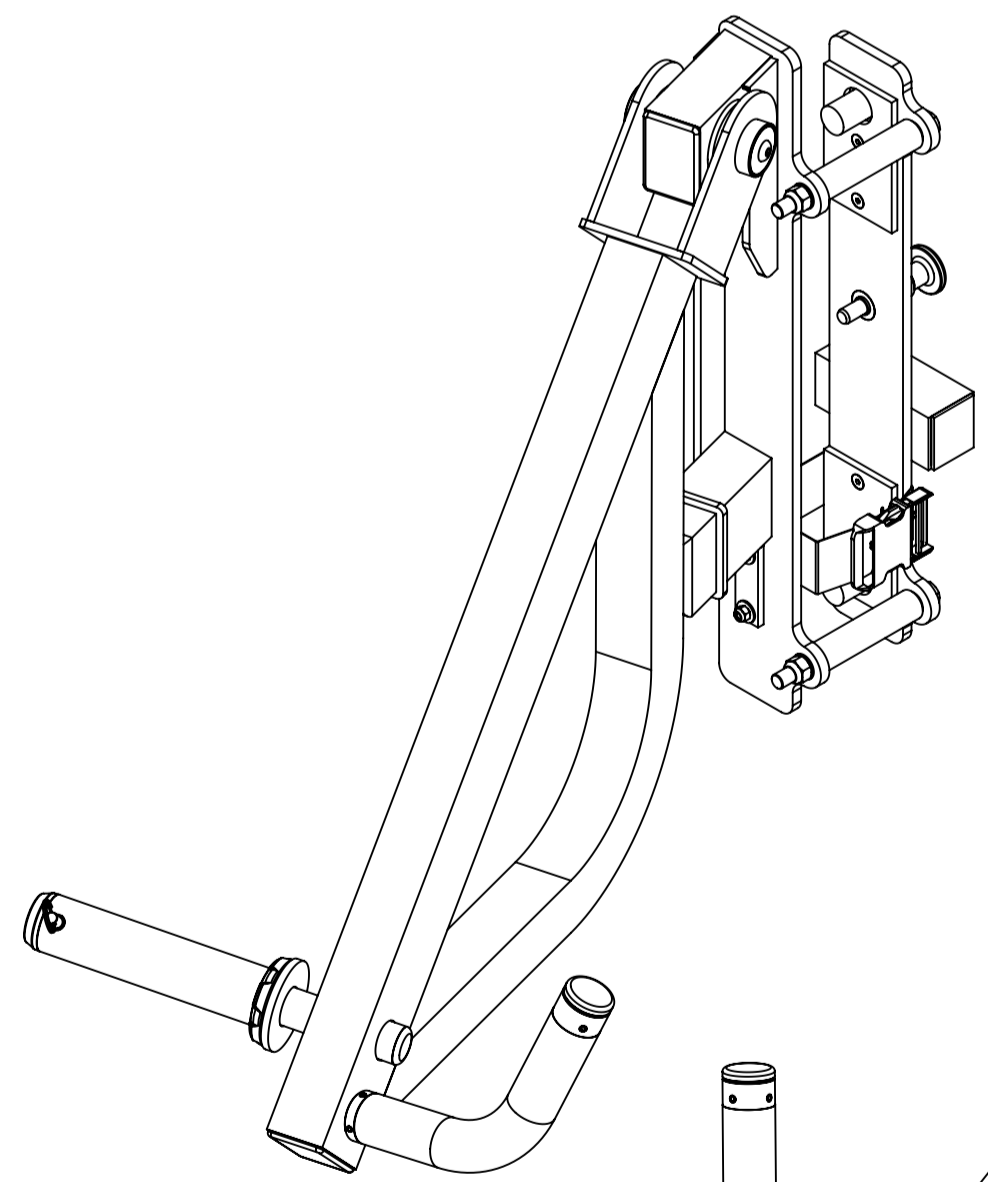
VARSITY SERIES
D690 & D691
RIGHT
JAMMIN ARM ASSEMBLY



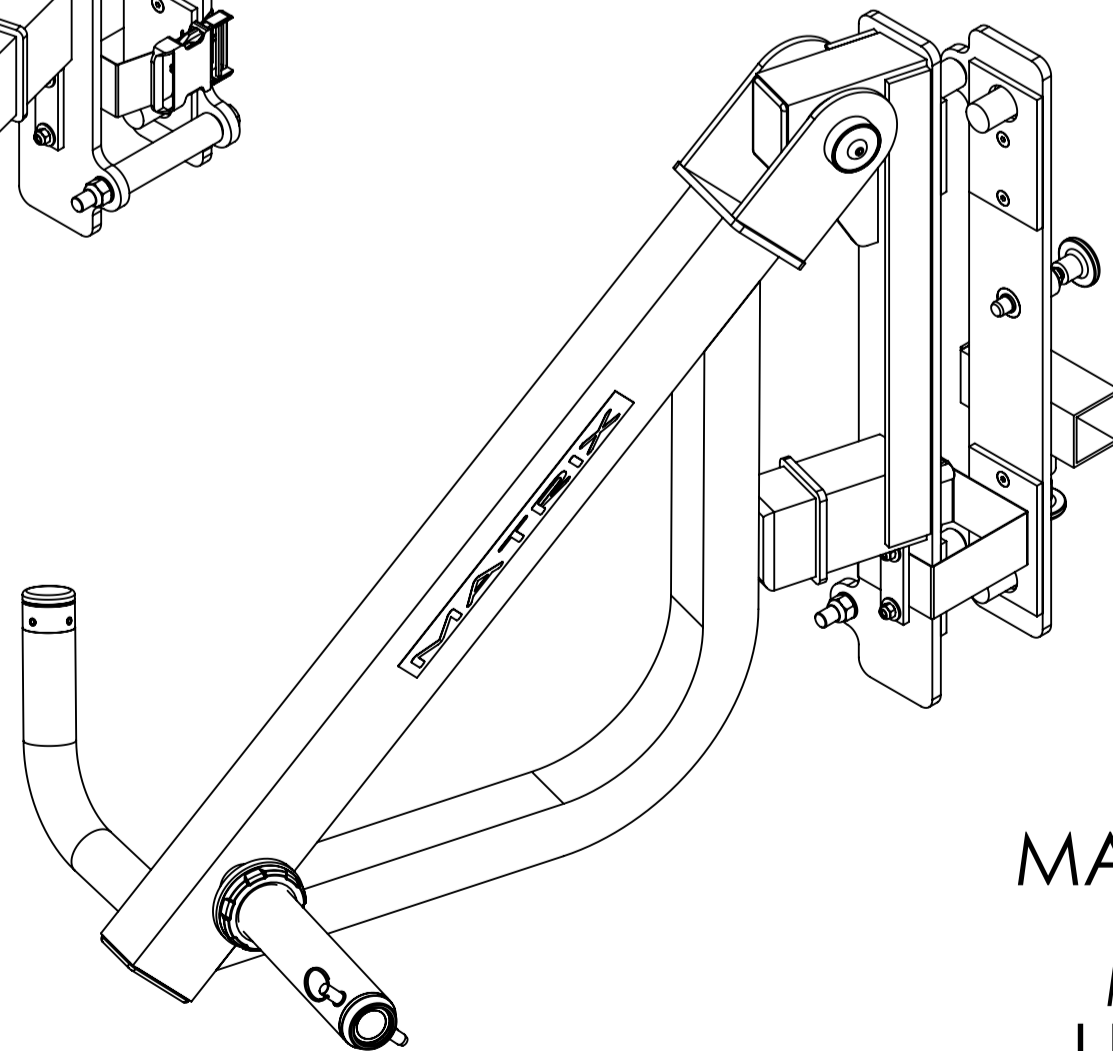
VARSITY SERIES
D690 & D691
LEFT
JAMMIN ARM ASSEMBLY



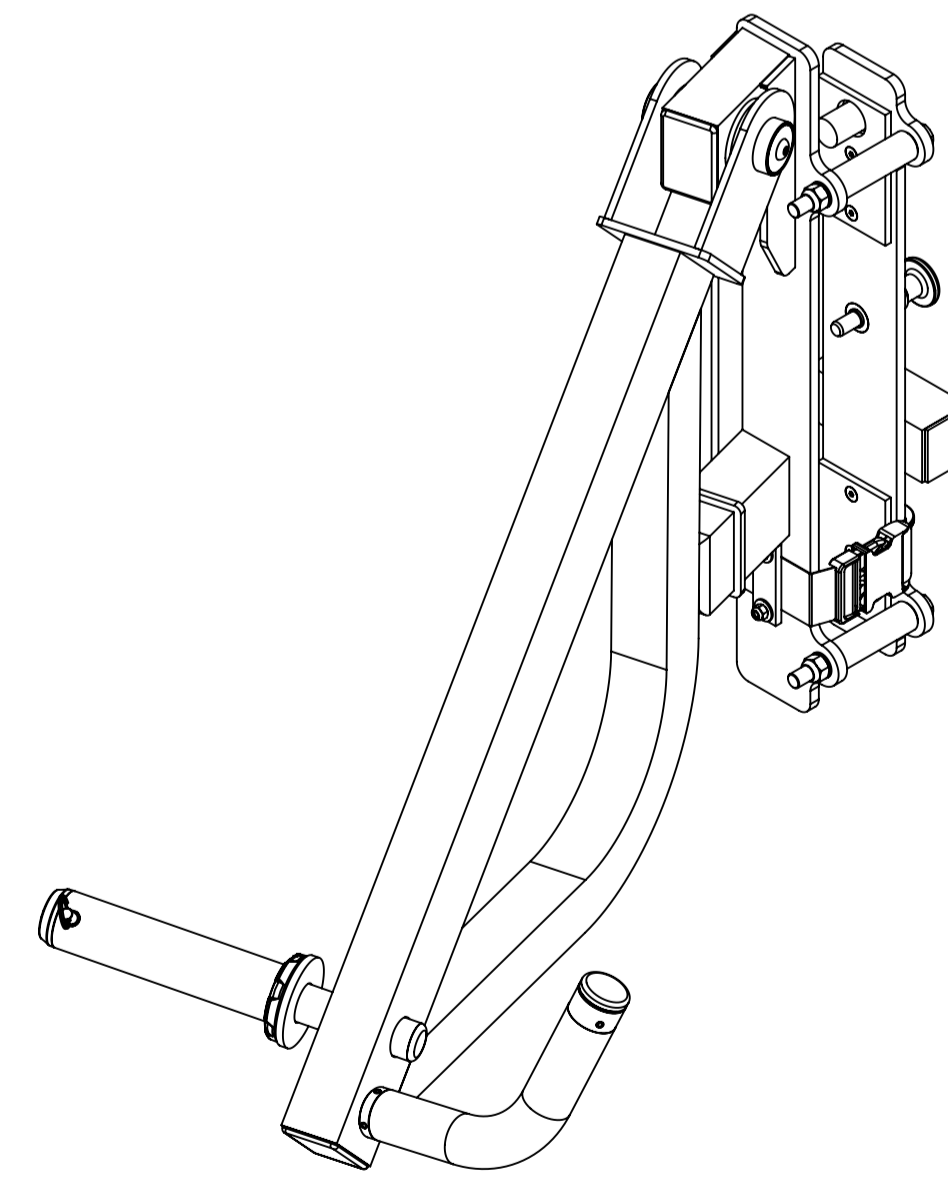
REAR VIEW
JAMMIN ARMS



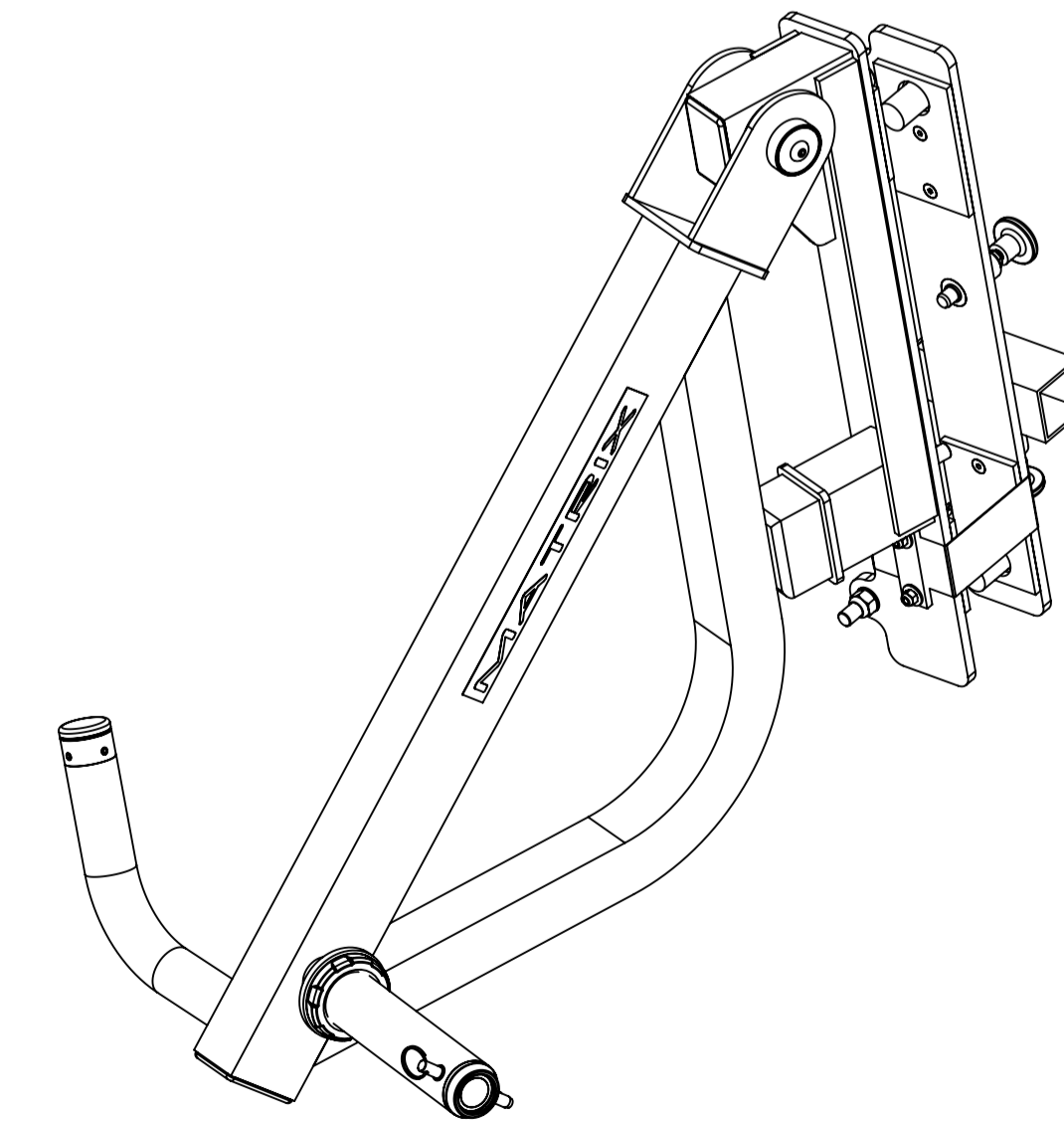
MAGNUM SERIES
A47 & A694
MR47 & MR694
RIGHT REVERSE
JAMMIN ARM ASSEMBLY



MAGNUM SERIES
A47 & A694
MR47 & MR694
LEFT REVERSE
JAMMIN ARM ASSEMBLY
(SHOWN IN EXPLODED VIEW SHEET 1)

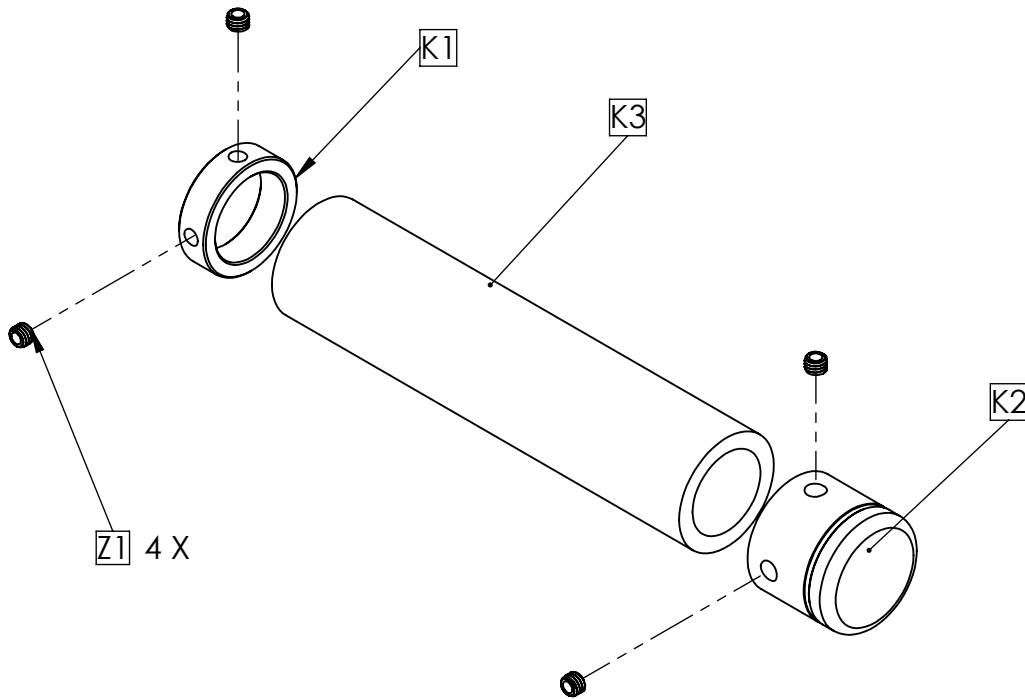


VARSITY SERIES
D47 & D694
RIGHT REVERSE
JAMMIN ARM ASSEMBLY



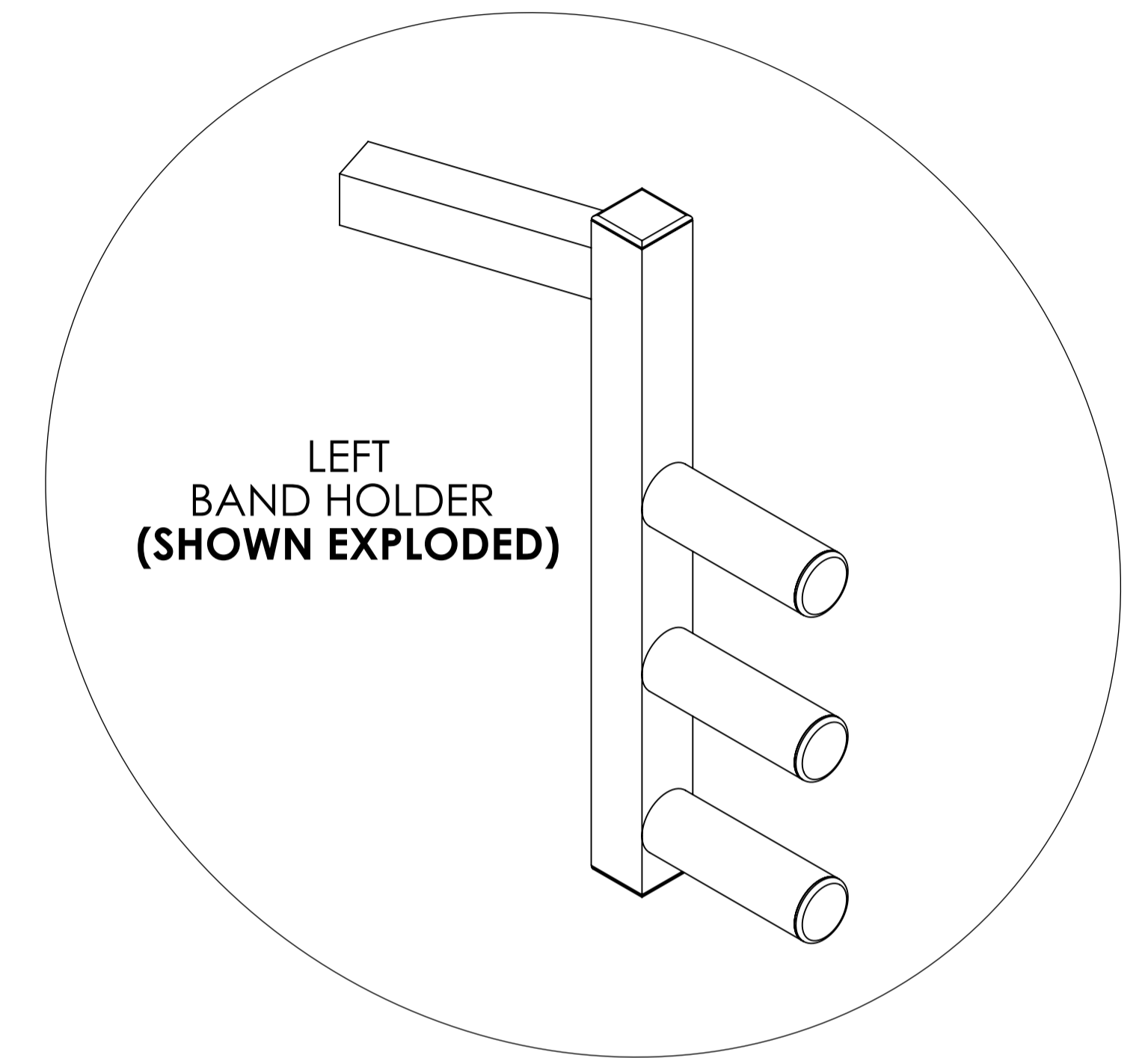
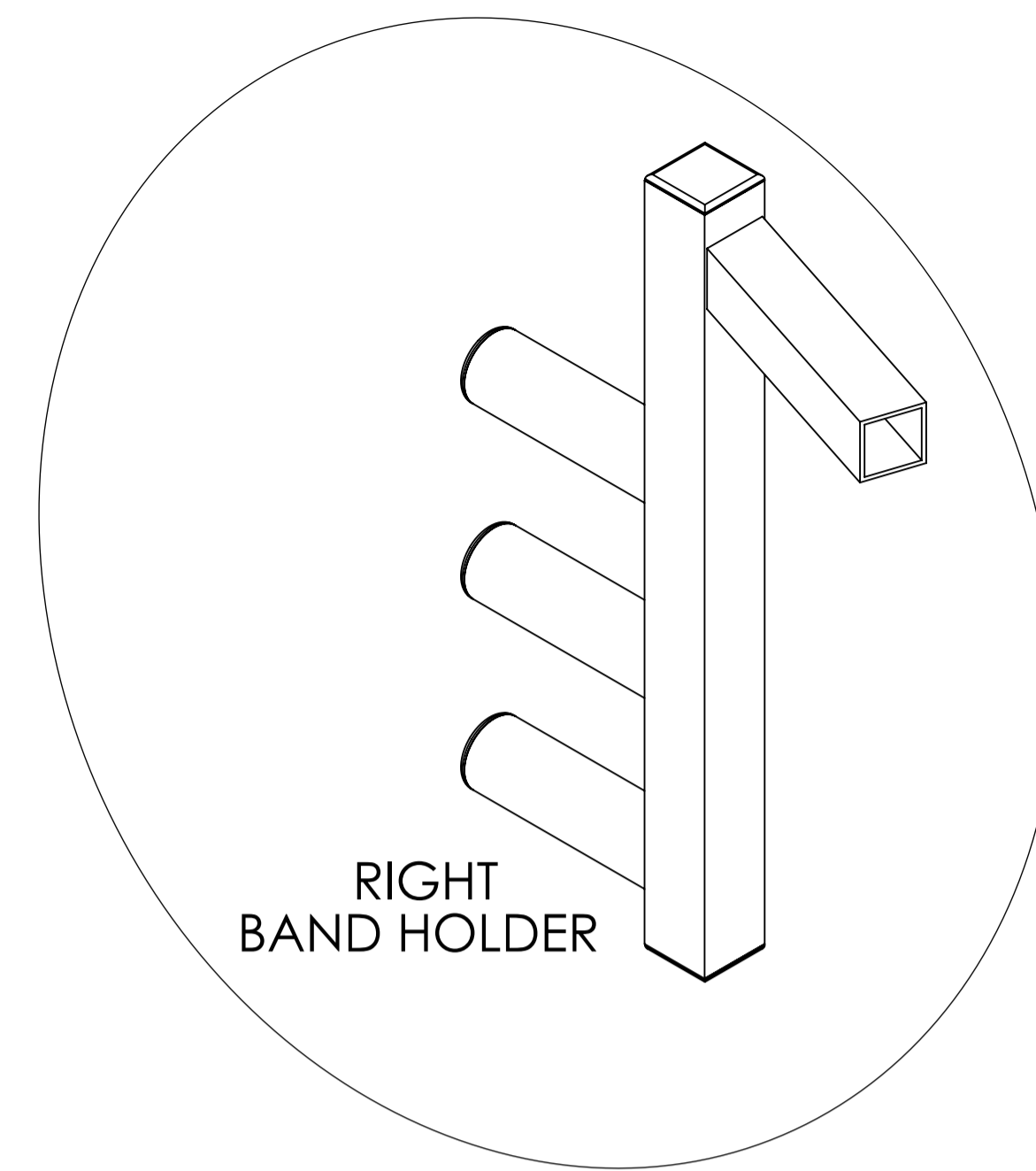
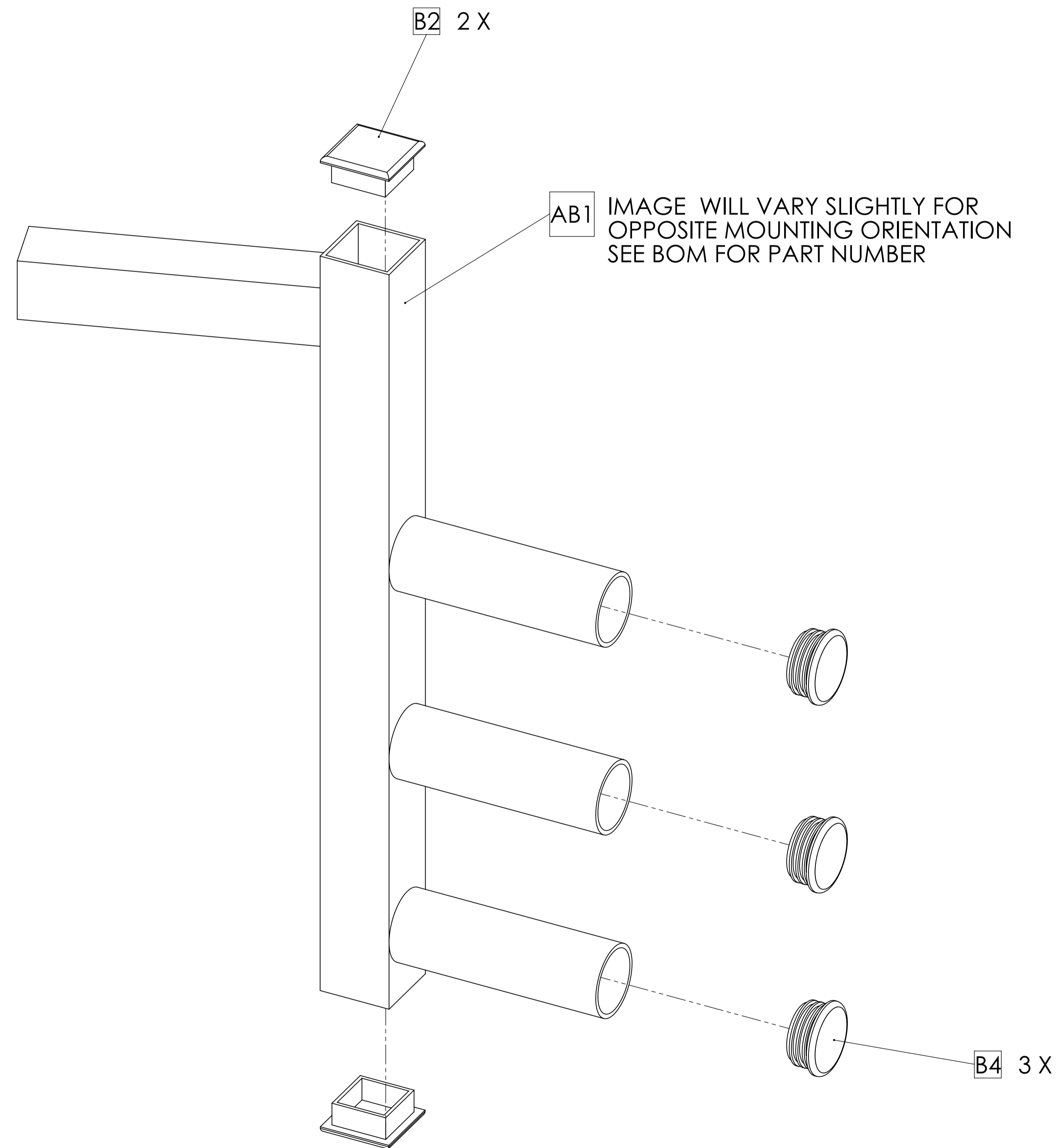
VARSITY SERIES
D47 & D694
LEFT REVERSE
JAMMIN ARM ASSEMBLY

MATRIX	
DWG NO. 160-084,085,086,087,088,089,090,091 SERVICE	
DESCRIPTION: JAMMIN ARM OPT17 (Racks & Platforms)	
DRAWN BY: LMB	DATE: 2013.MAY.31
UPDATED BY: LMB	DATE: 2016.SEP.02



MATRIX

DWG. NO.	KIT1 HAND GRIP		
DESCRIPTION:	HAND GRIP		
DRAWN:	LMB	DATE	13.03.26
UPDATED:	--	DATE	--



MATRIX

DWG NO.		
160-070 & 160-071 SERIES SERVICE		
DESCRIPTION:		
JAMMIN ARM SERIES OPT17		
(Racks & Platforms)		
DRAWN BY:	LMB	DATE: 2013.MAY.28
UPDATED BY:	LMB	DATE: 2015.DEC.28