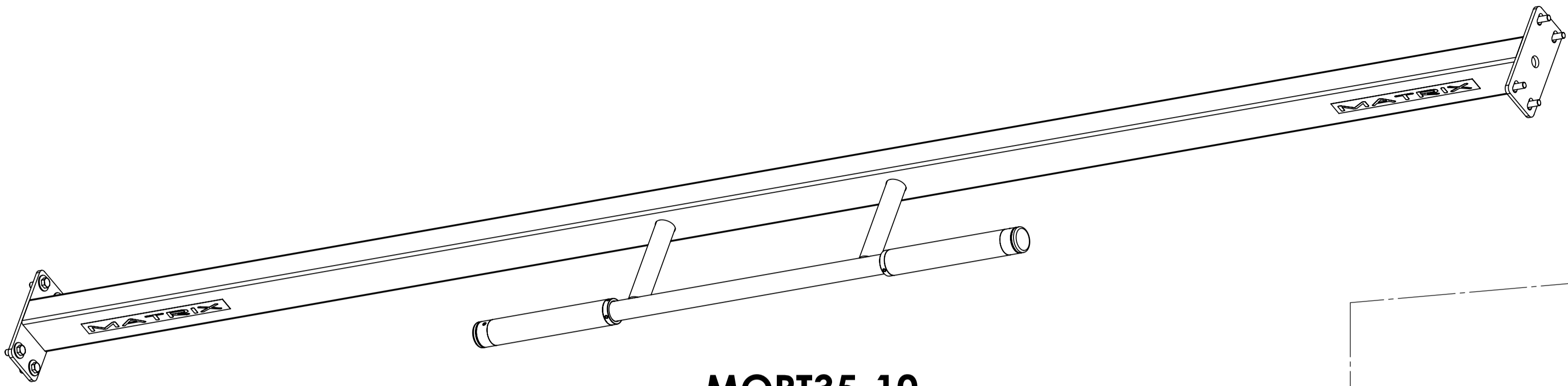
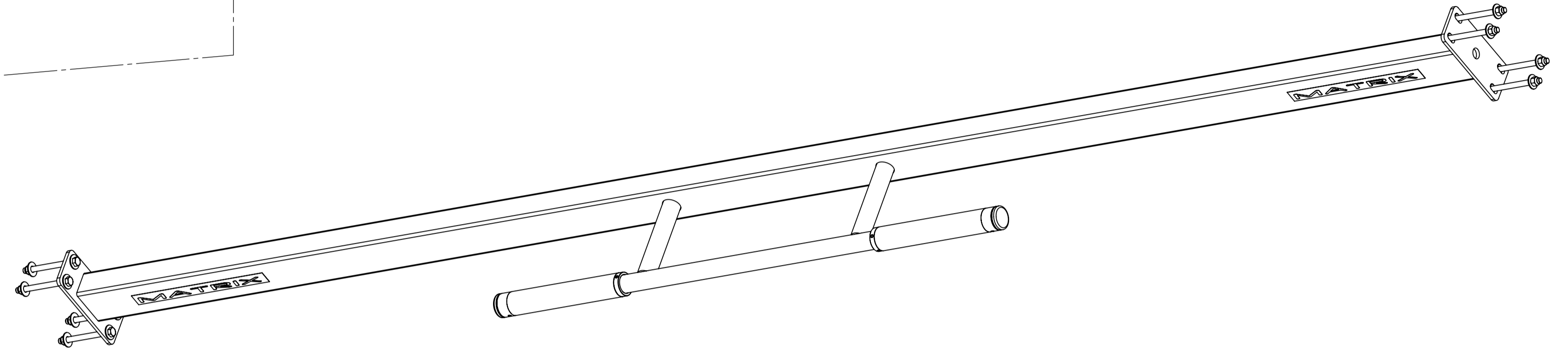


MATRIX

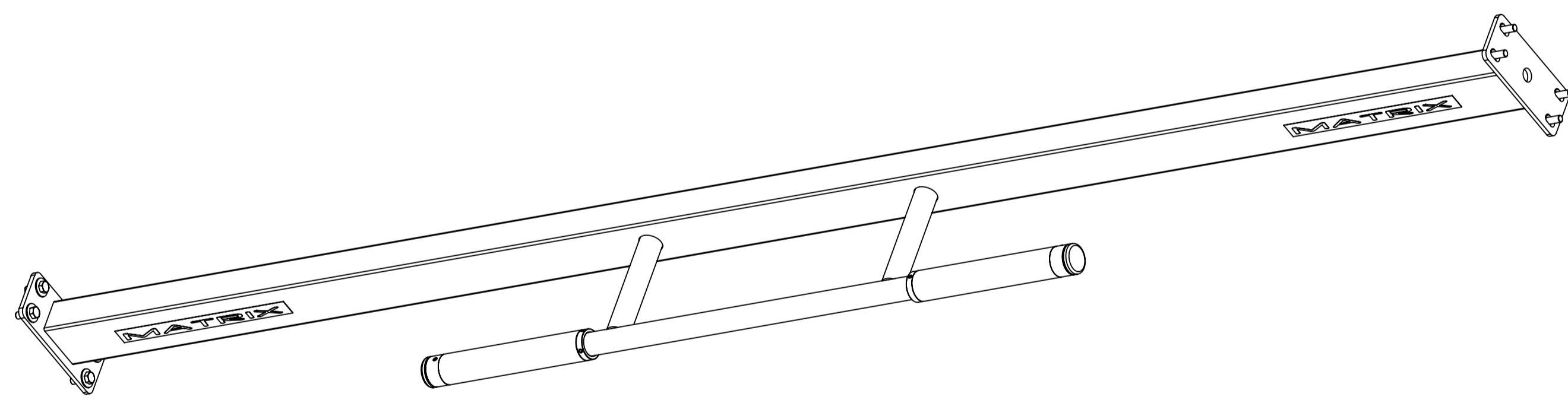
DWG NO.		OPT35 SERIES SERVICE	
DESCRIPTION: SINGLE SIDED STRIGHT BAR; 6 FOOT (Racks Options & Components)			
DRAWN BY:	LMB	DATE:	2014.MAY.28
UPDATED BY:	LMB	DATE:	2016.DEC.22



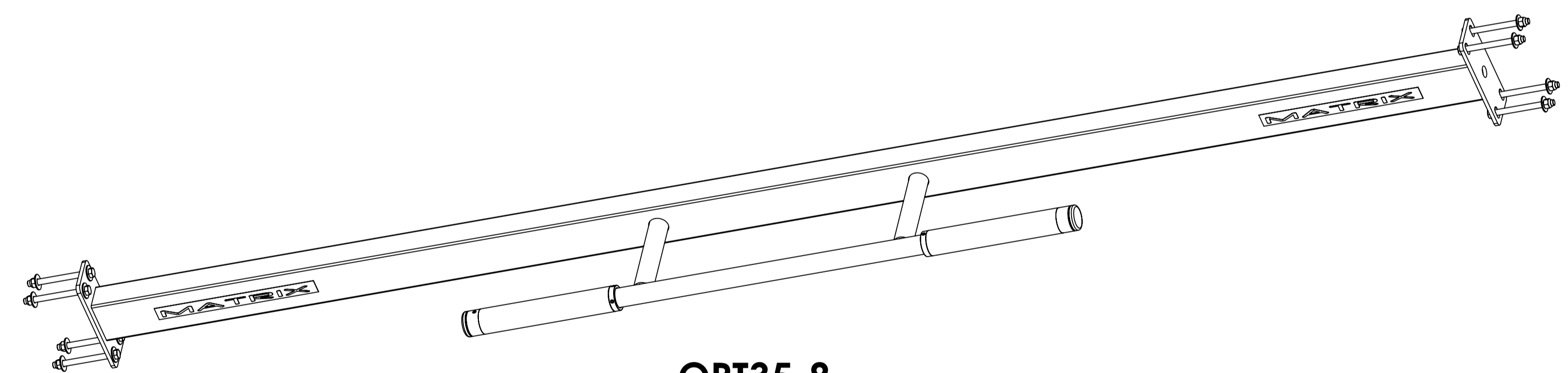
MOPT35-10



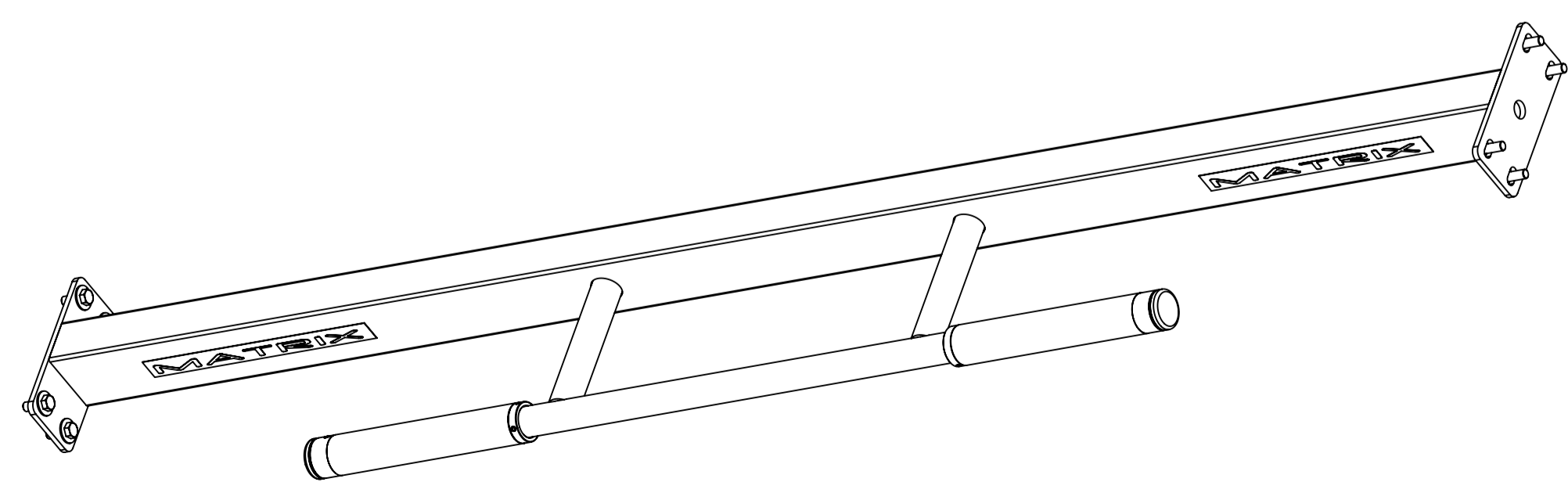
OPT35-10



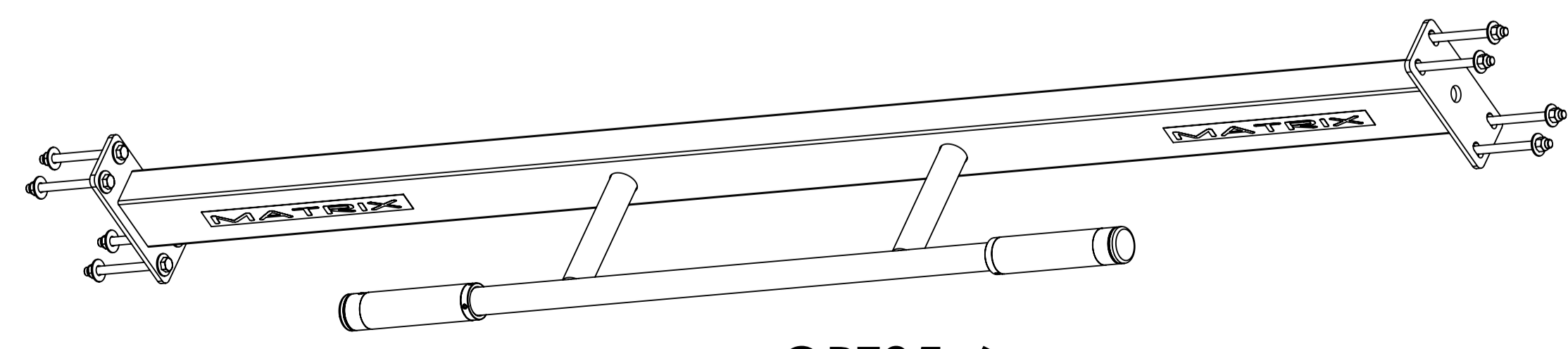
MOPT35-8



OPT35-8



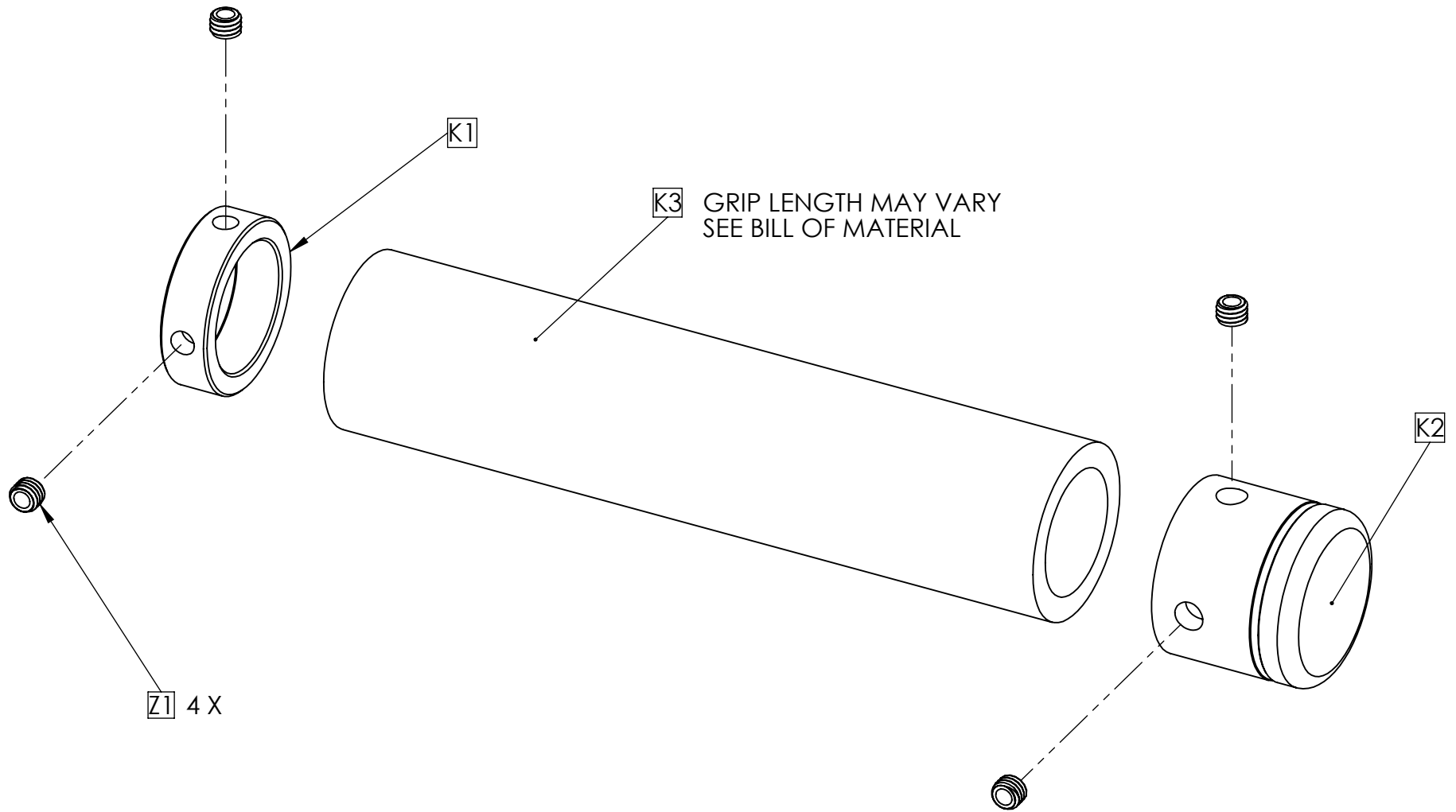
MOPT35-6



**OPT35-6
(SHOWN IN EXPLODED VIEW)**

MATRIX

DWG NO.	OPT35 SERIES SERVICE		
DESCRIPTION:	SINGLE SIDED STRIGHT BAR; 6 FOOT (Racks Options & Components)		
DRAWN BY:	LMB	DATE:	2014.MAY.28
UPDATED BY:	LMB	DATE:	2016.DEC.22



MATRIX

DWG. NO.		160-056 SERVICE	
DESCRIPTION:		HAND GRIP	
DRAWN:	LMB	DATE	13.10.04
UPDATED:	---	DATE	---