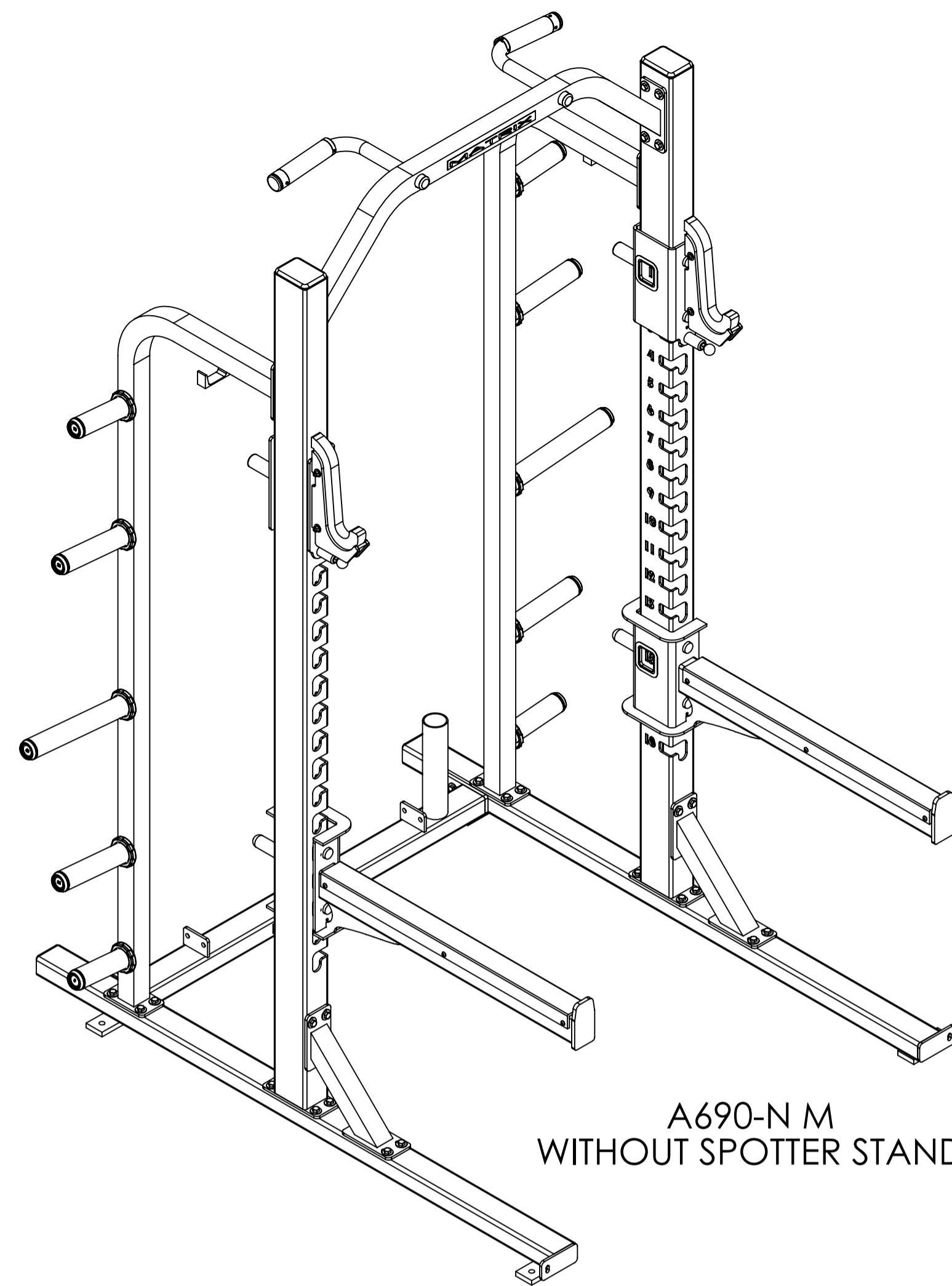
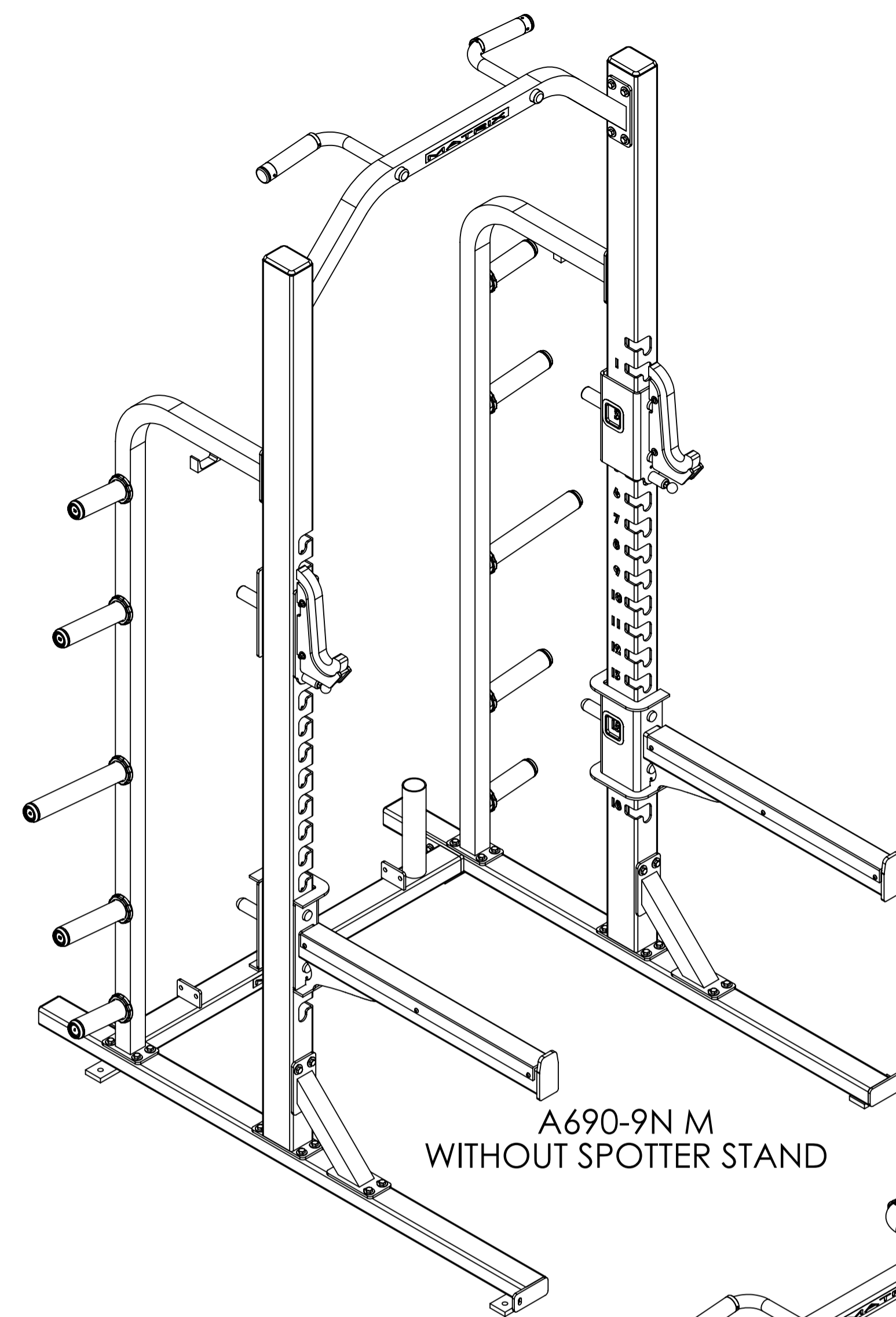


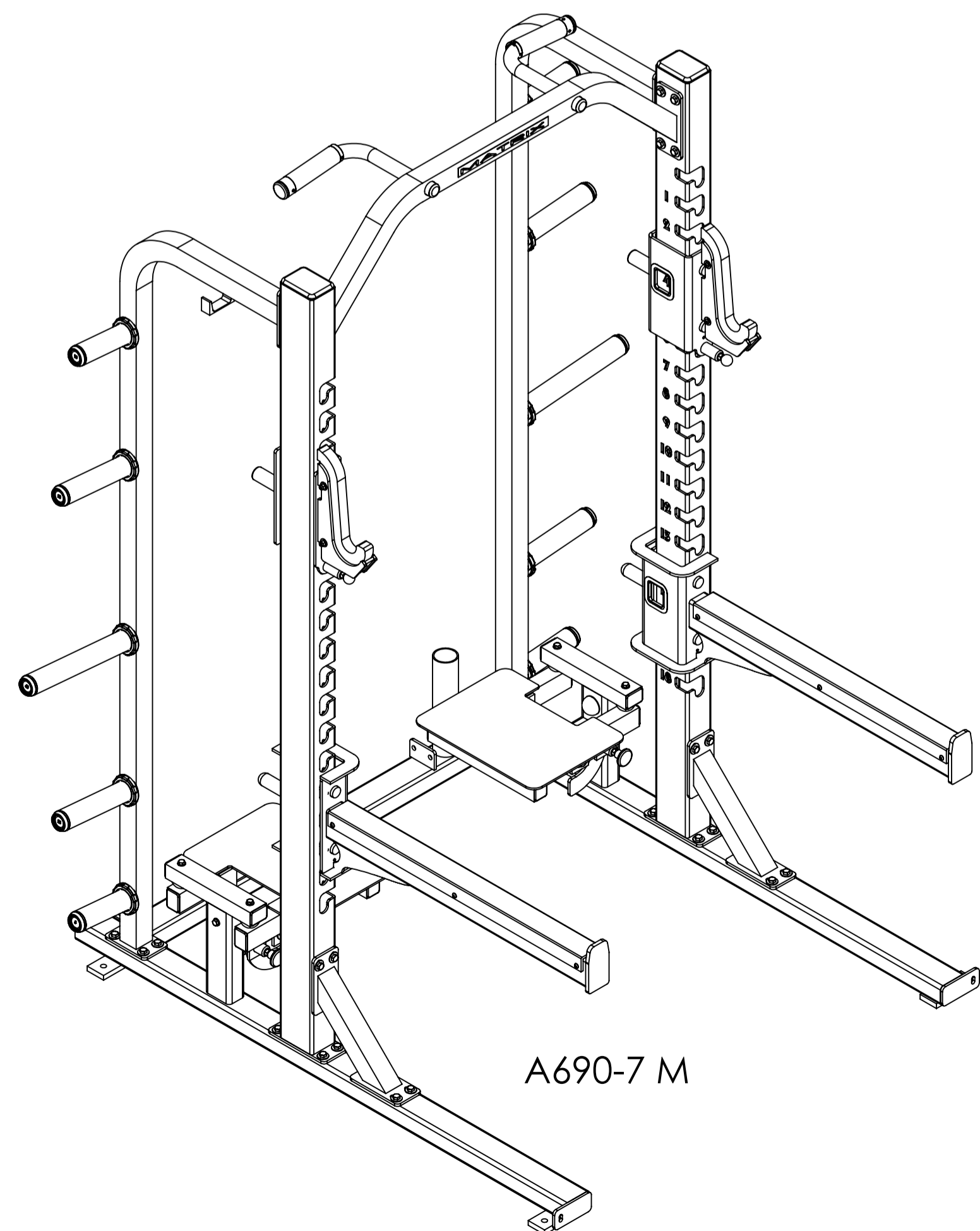
A690-7N M  
WITHOUT SPOTTER STAND



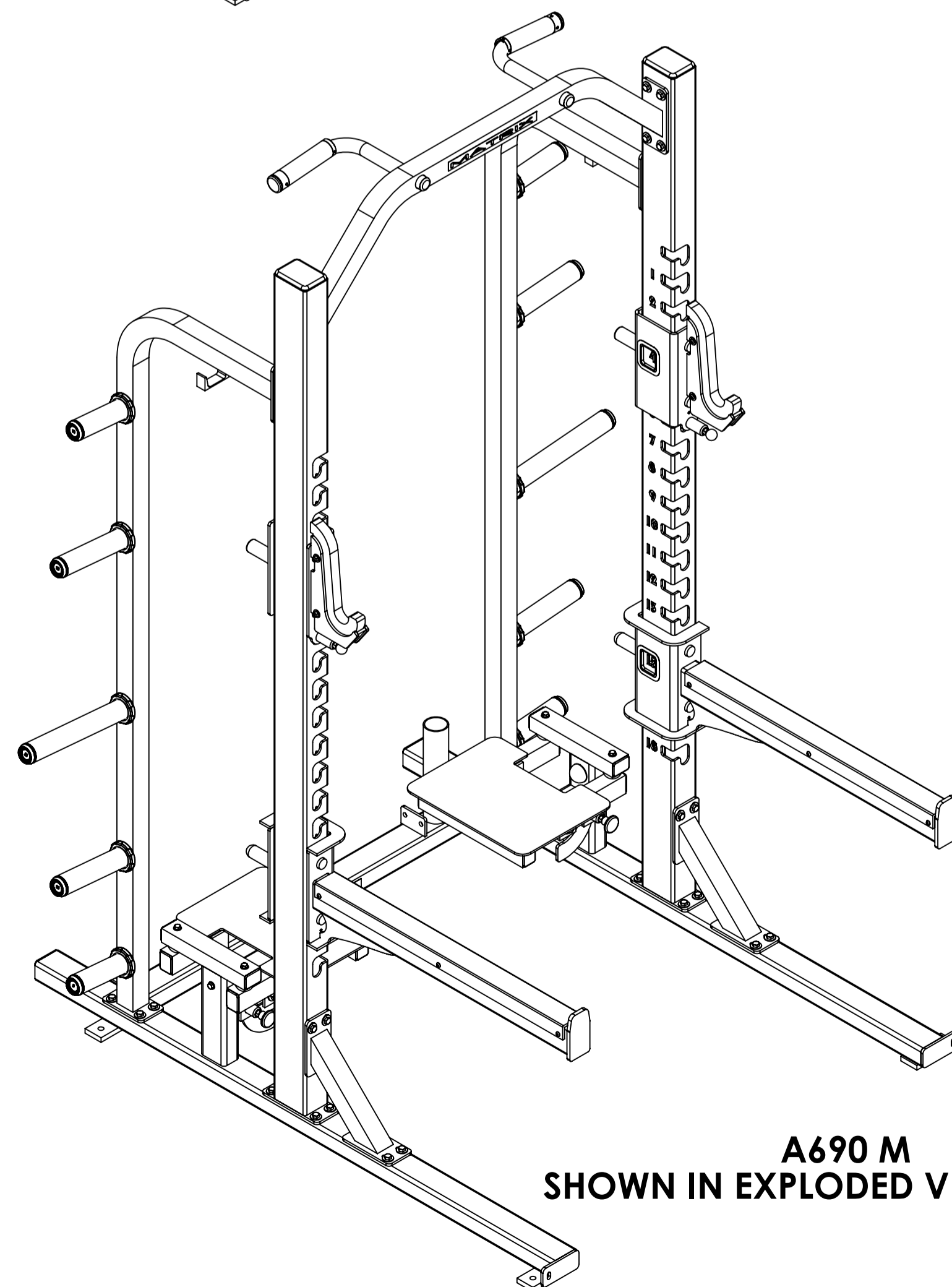
A690-N M  
WITHOUT SPOTTER STAND



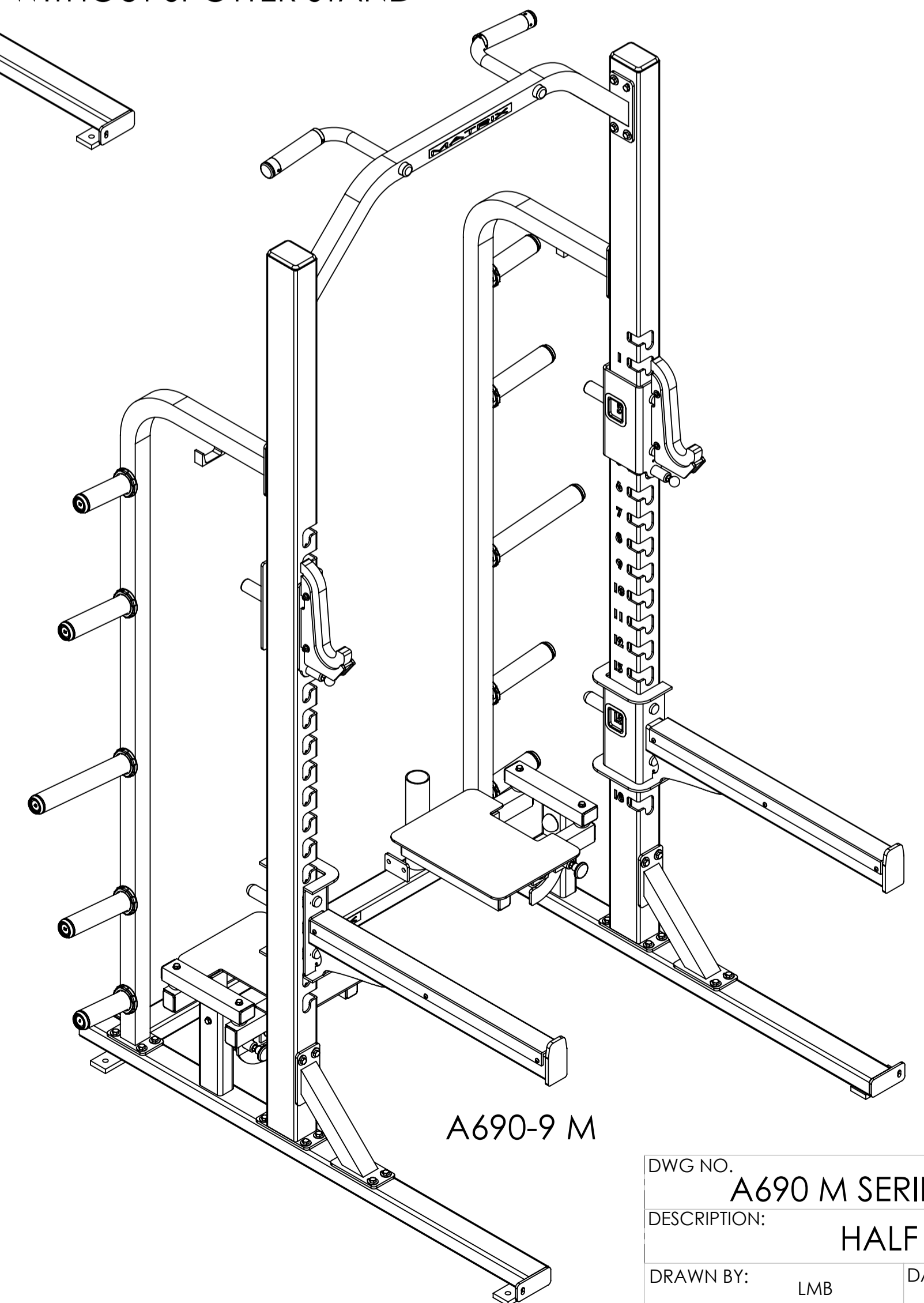
A690-9N M  
WITHOUT SPOTTER STAND



A690-7 M



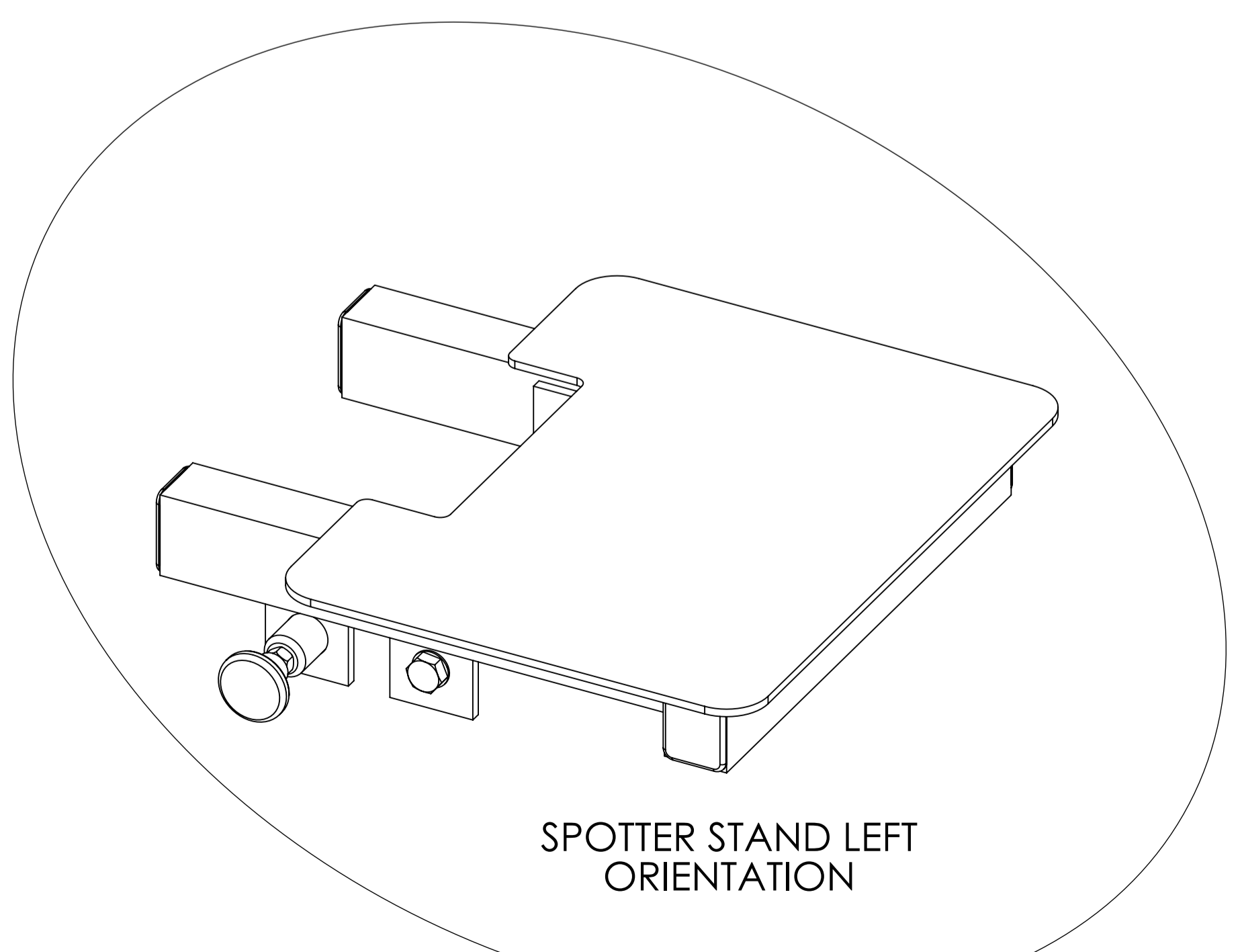
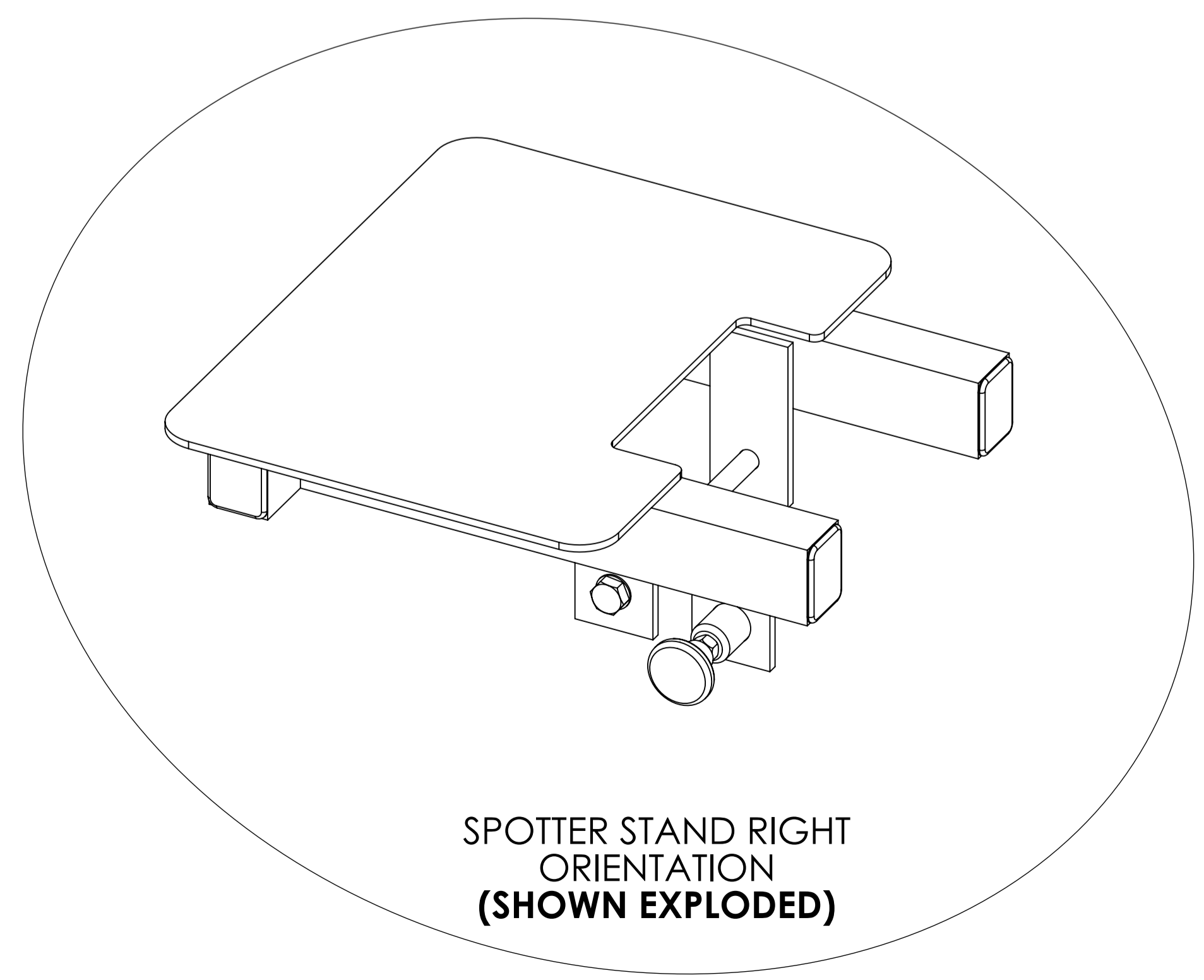
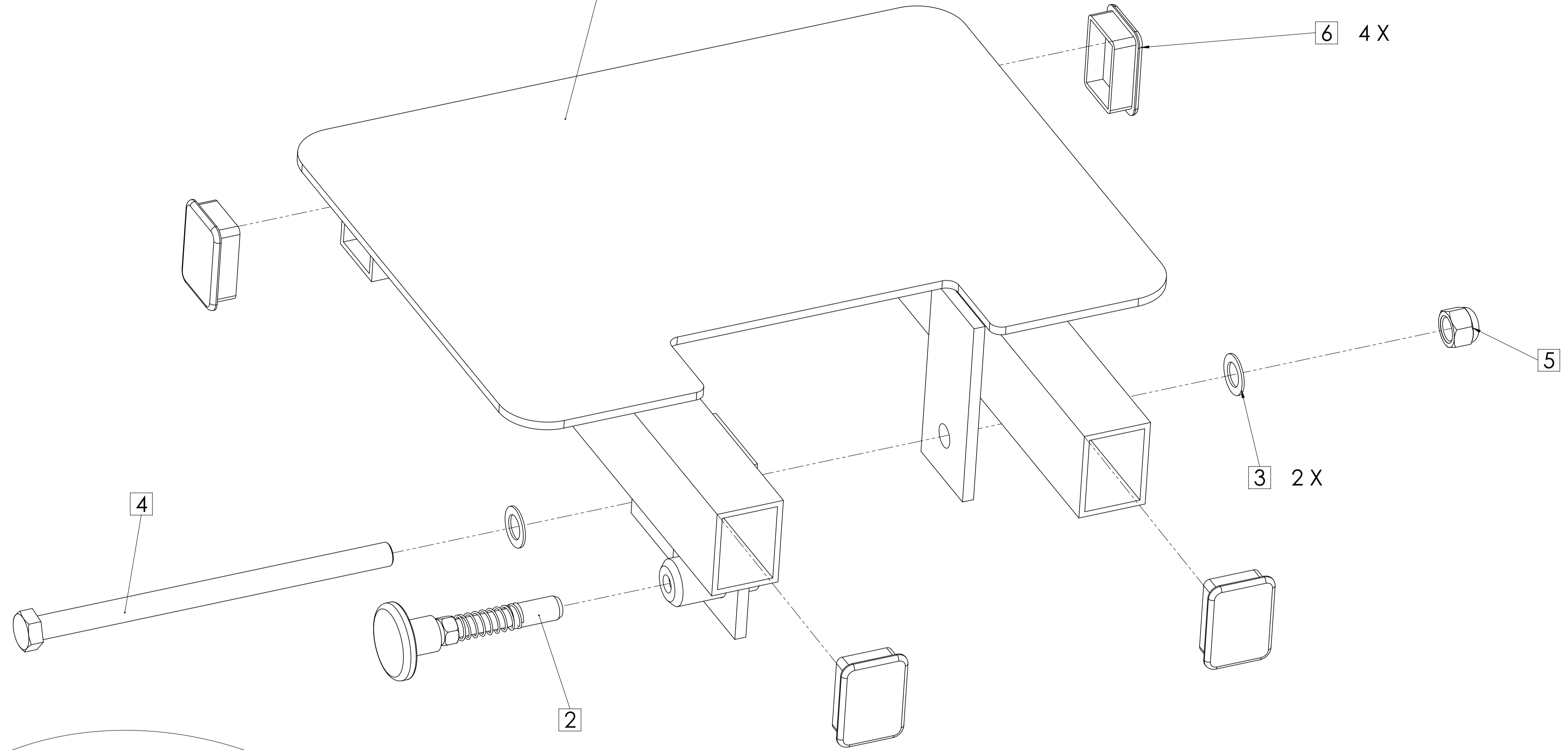
A690 M  
SHOWN IN EXPLODED VIEW SHEET 1



A690-9 M

DWG NO.			
A690 M SERIES SERVICE			
DESCRIPTION:			
HALF RACK			
DRAWN BY:	LMB	DATE	13.03.22
UPDATED BY:	LMB	DATE	14.02.05

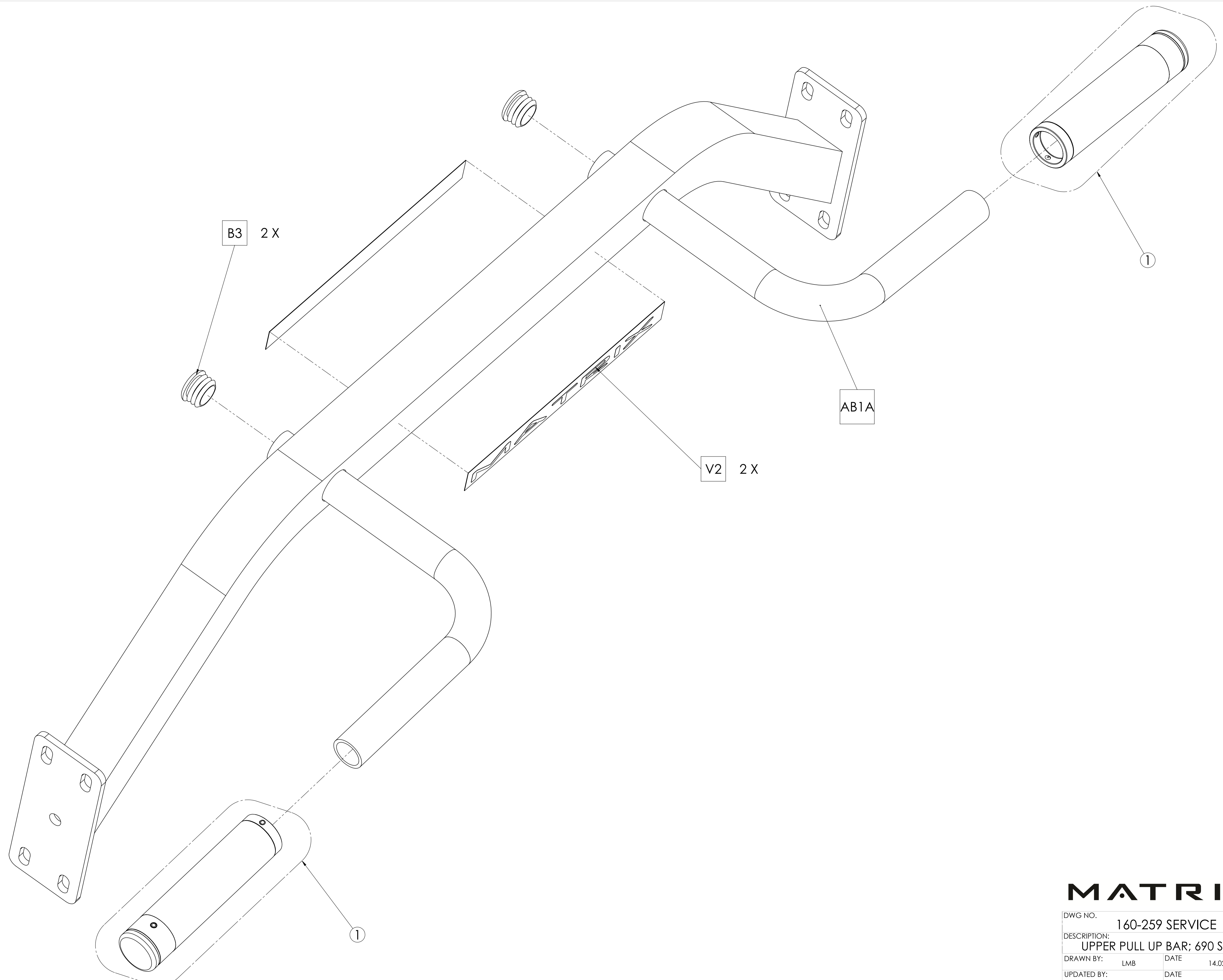
1 IMAGE WILL VARY SLIGHTLY FOR OPPOSITE MOUNTING ORIENTATION SEE BOM FOR PART NUMBER



NOTE: ASSEMBLY MAY VARY FOR OPPOSITE MOUNTING ORIENTATION (SEE BOM FOR PART NUMBERS)

**MATRIX**

DWG NO.		
160-004 & 160-005 SERVICE		
DESCRIPTION:		
SPOTTER STAND (POWER RACKS)		
DRAWN BY:	LMB	DATE: 2014.MAR.04
UPDATED BY:	LMB	DATE: 2014.NOV.03



B3 2 X

AB1A

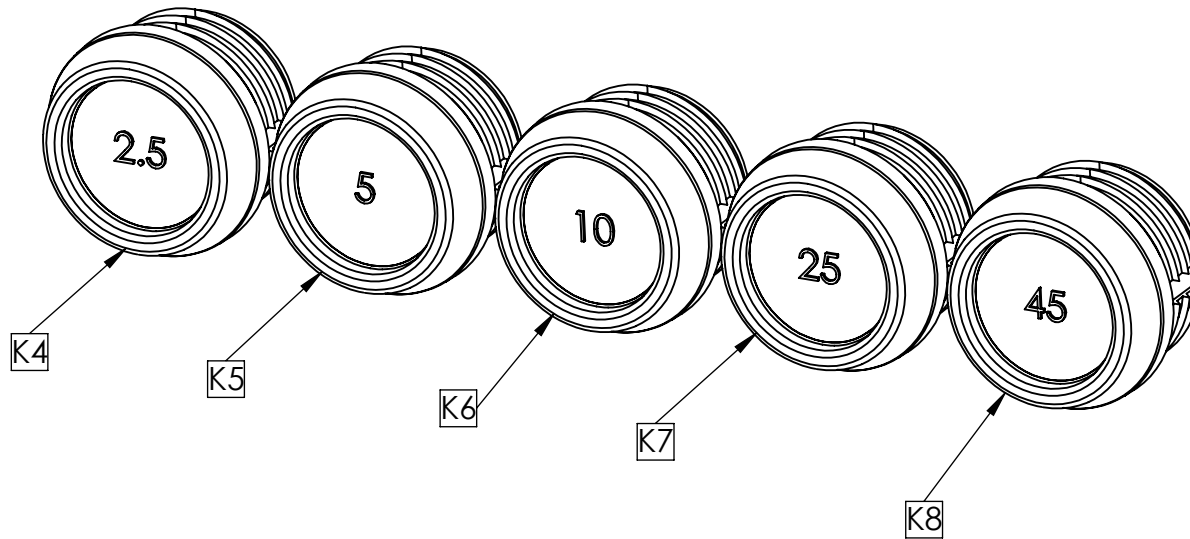
V2 2 X

1

1

**MATRIX**

DWG NO. 160-259 SERVICE	
DESCRIPTION: UPPER PULL UP BAR; 690 SERIES	
DRAWN BY: LMB	DATE 14.02.04
UPDATED BY: --	DATE --

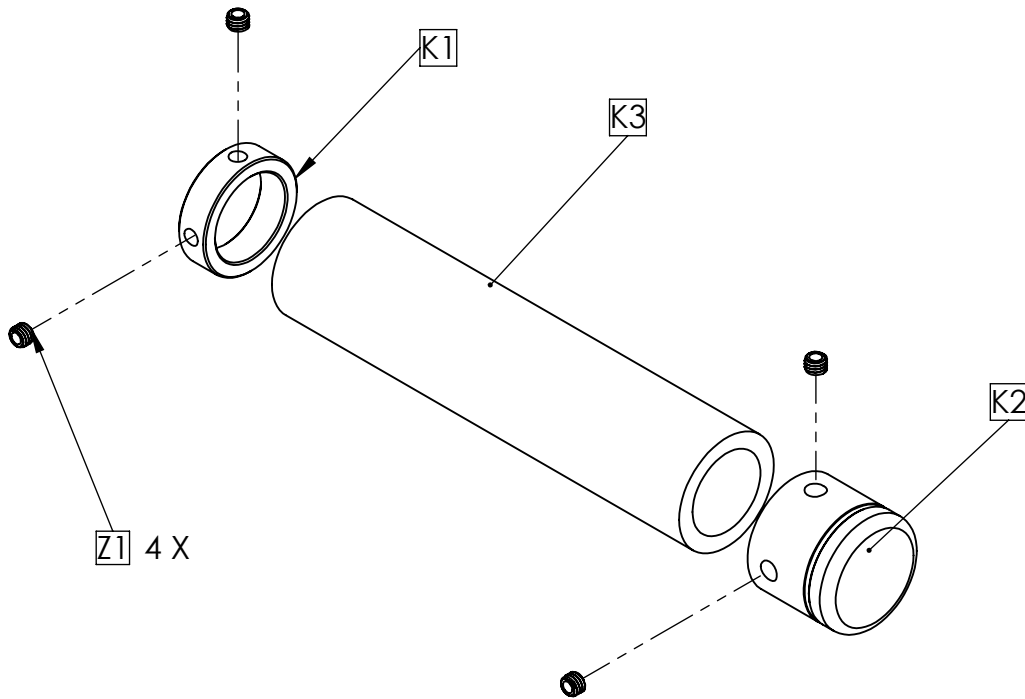


# MATRIX

DWG. NO.  
KIT8 WEIGHT HORNS

DESCRIPTION:  
WEIGHT HORN KIT

DRAWN:	LMB	DATE	13.01.25
UPDATED:	--	DATE	--



# MATRIX

DWG. NO.	KIT1 HAND GRIP		
DESCRIPTION:	HAND GRIP		
DRAWN:	LMB	DATE	13.03.26
UPDATED:	--	DATE	--