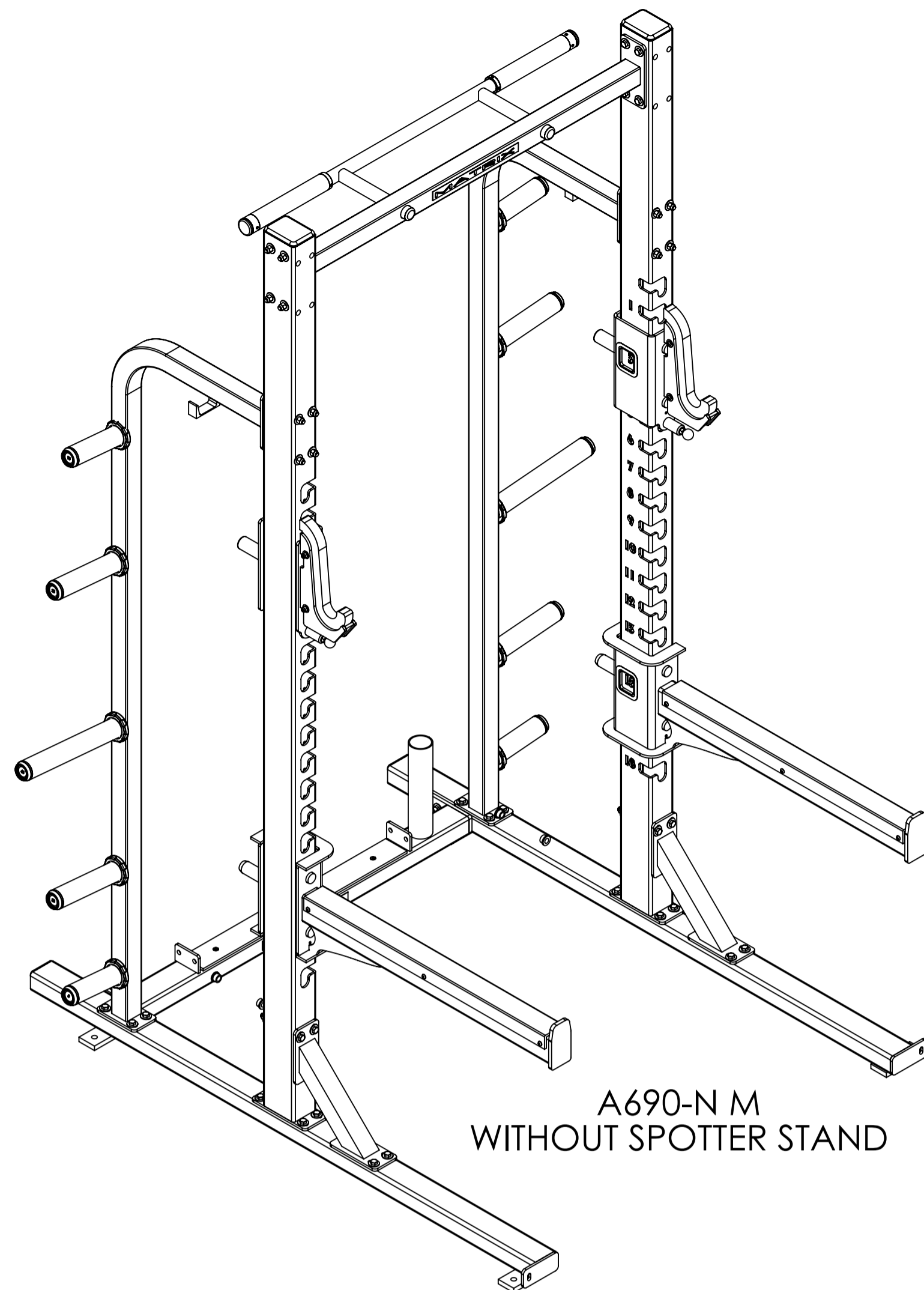
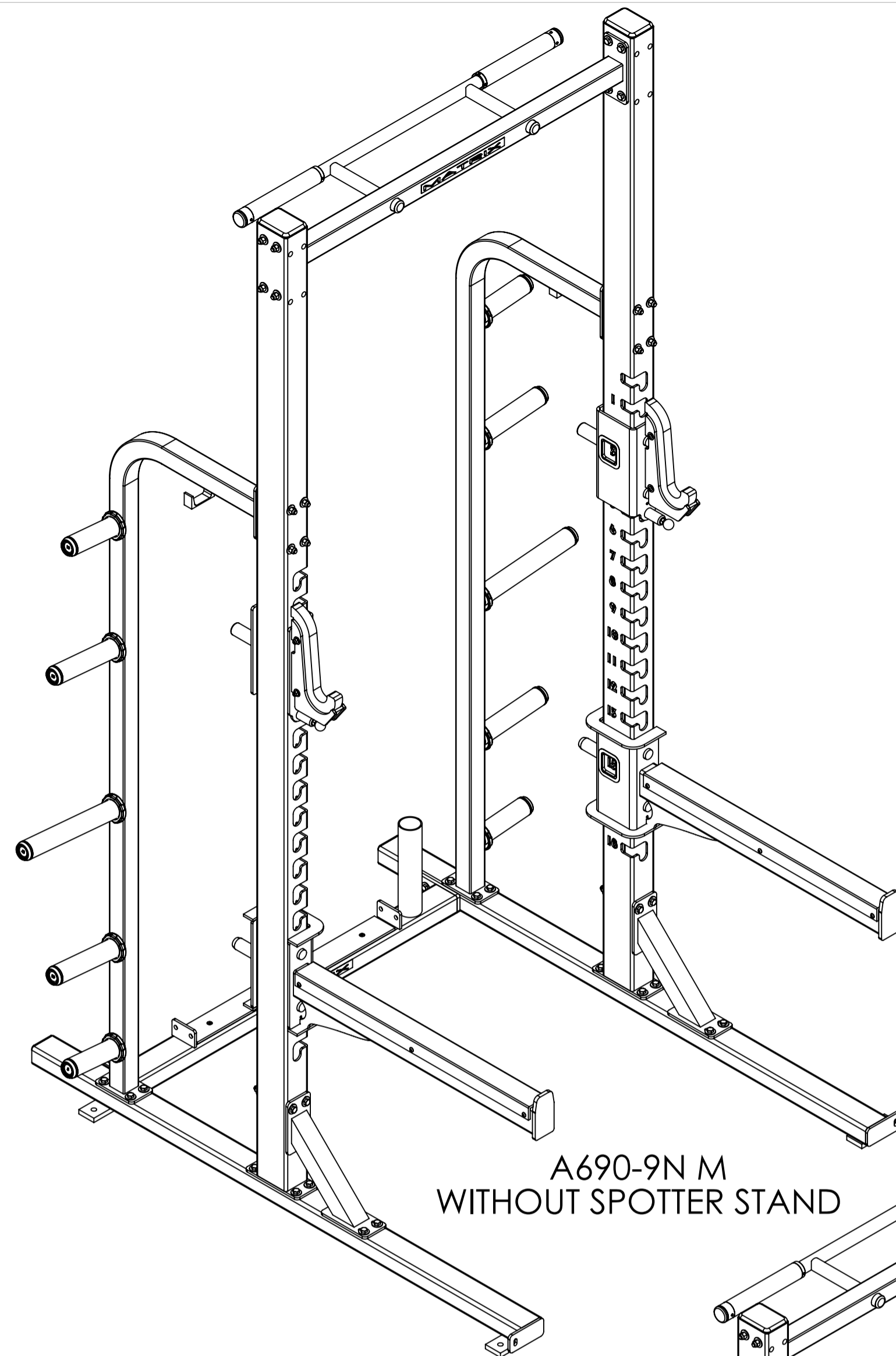


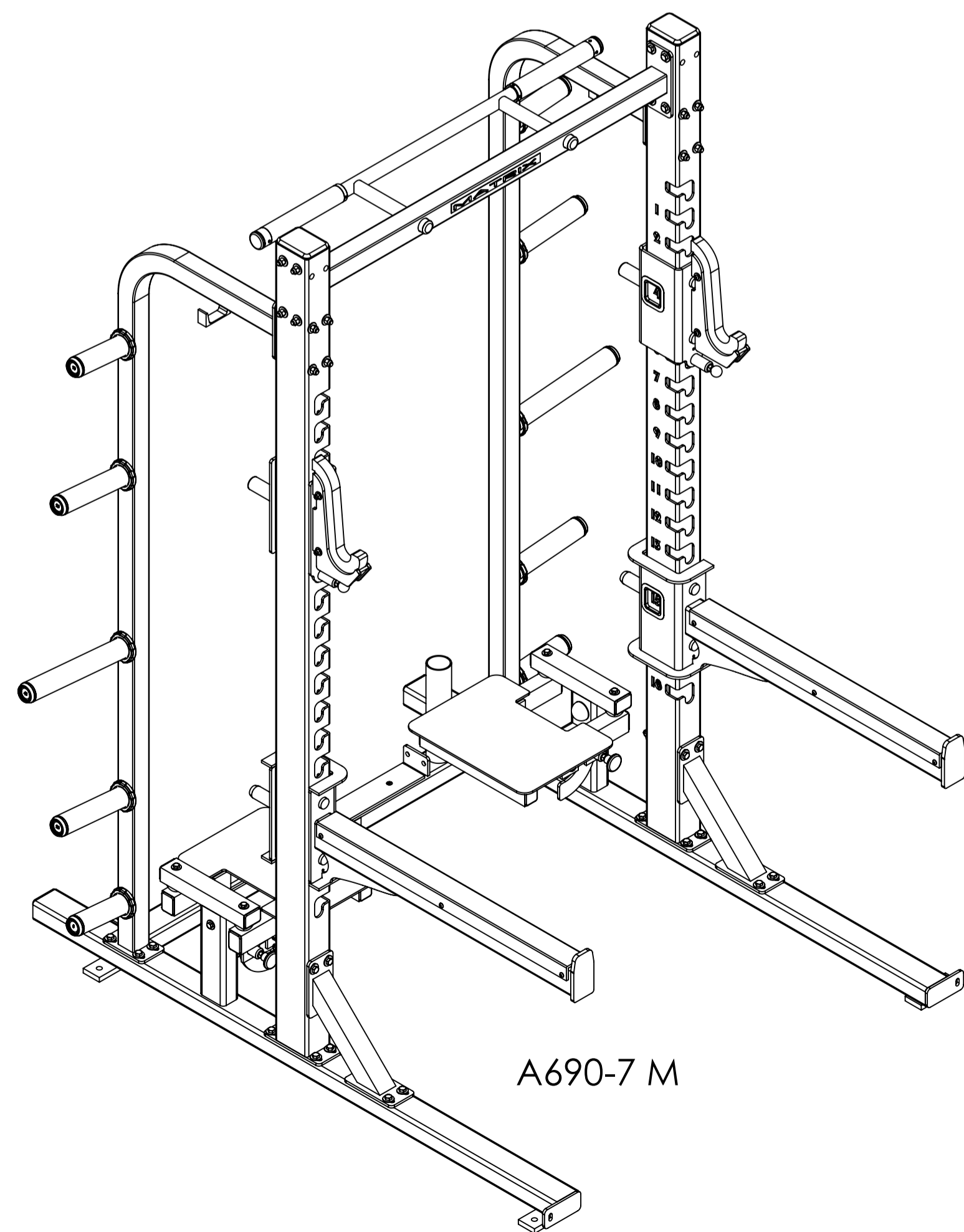
A690-7N M
WITHOUT SPOTTER STAND



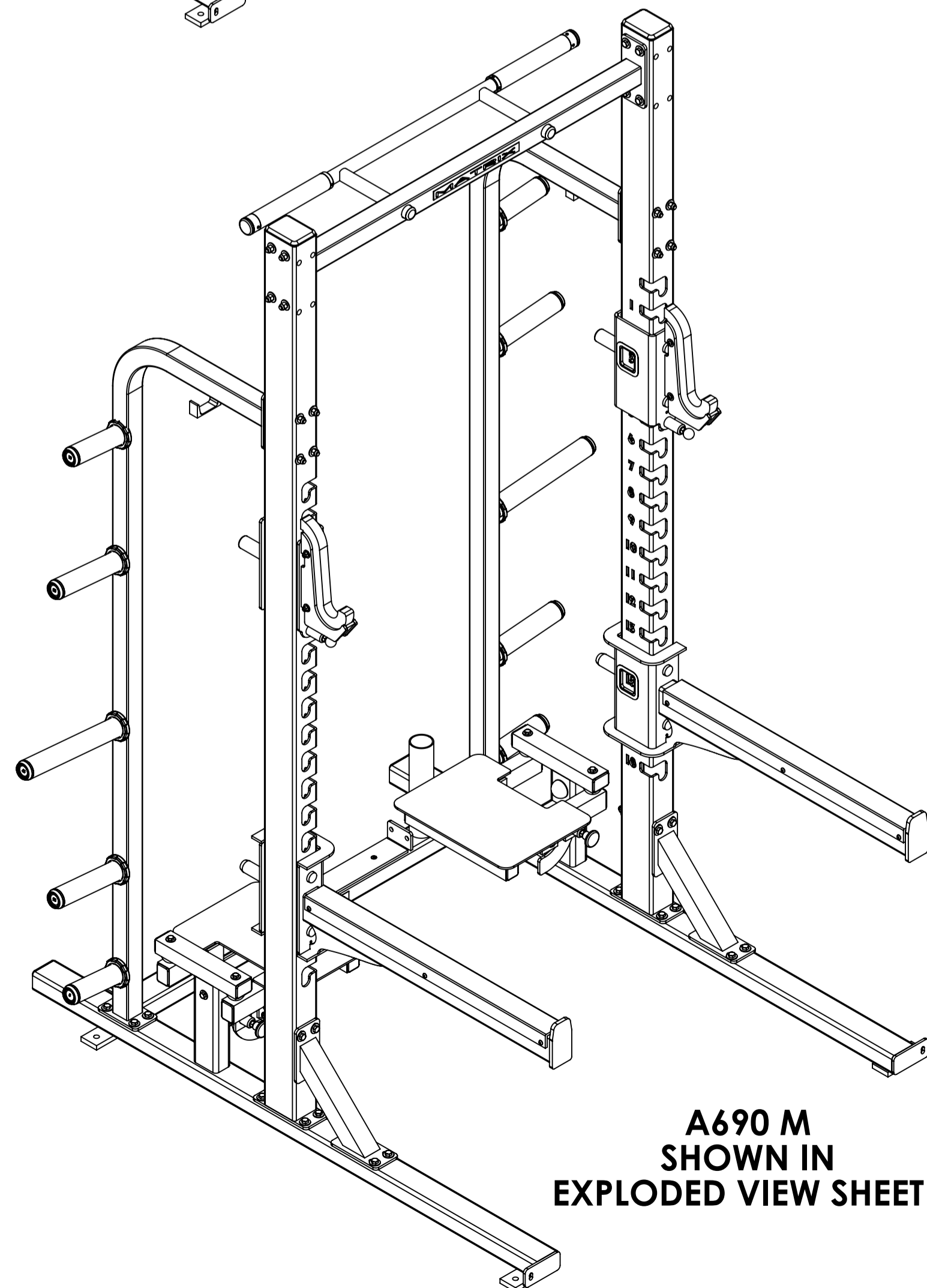
A690-N M
WITHOUT SPOTTER STAND



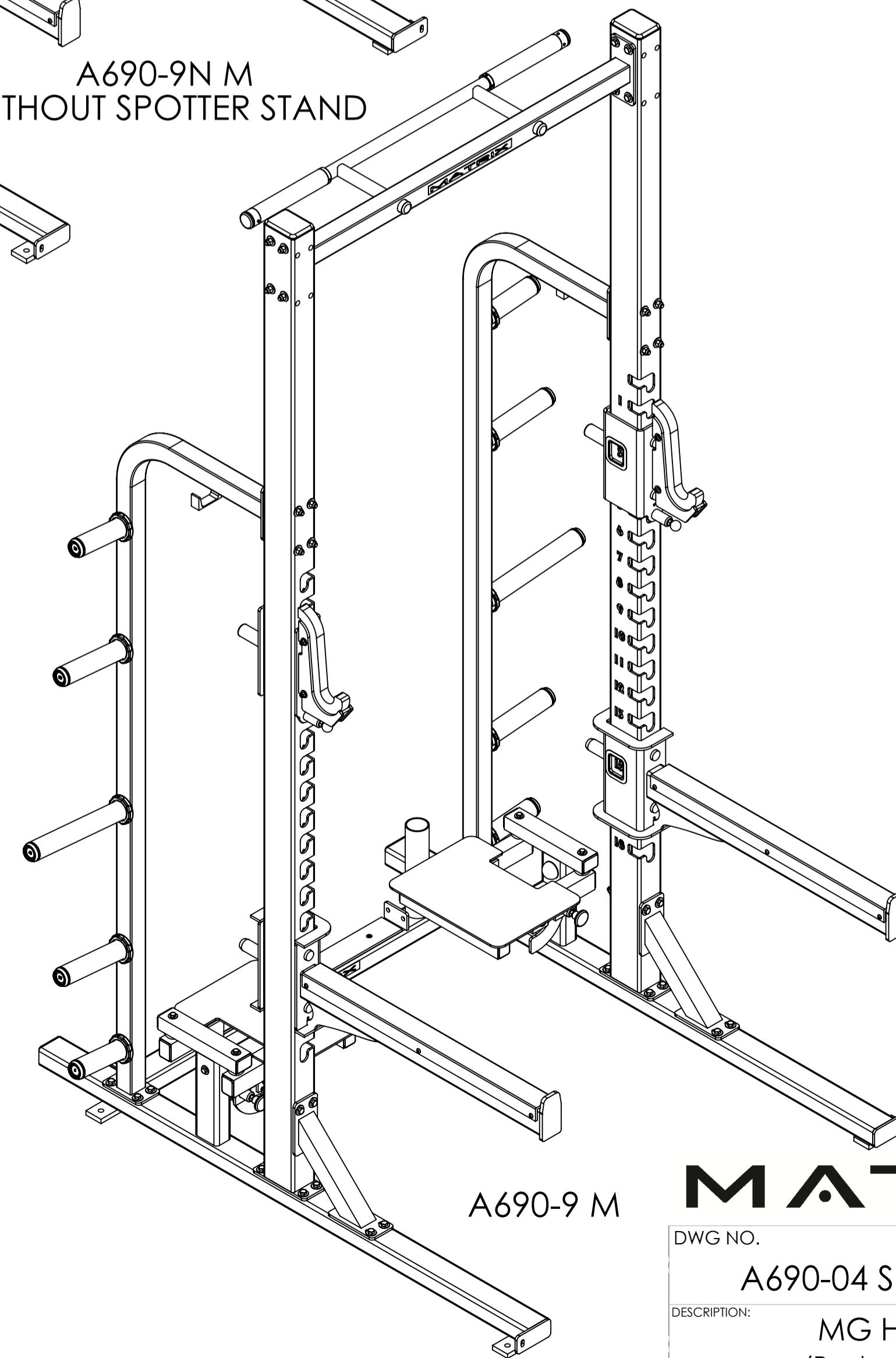
A690-9N M
WITHOUT SPOTTER STAND



A690-7 M



A690 M
SHOWN IN
EXPLODED VIEW SHEET 1



A690-9 M

MATRIX

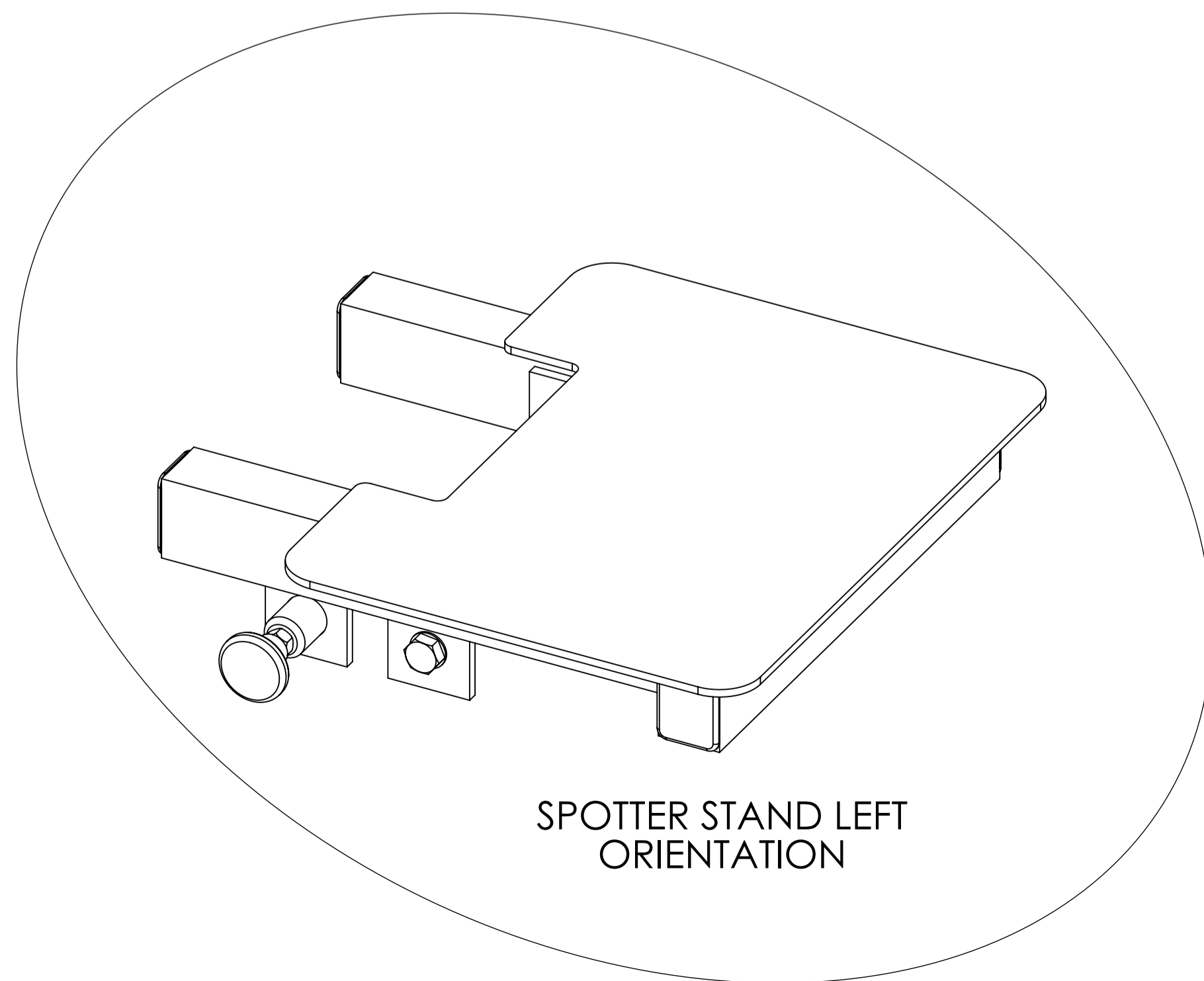
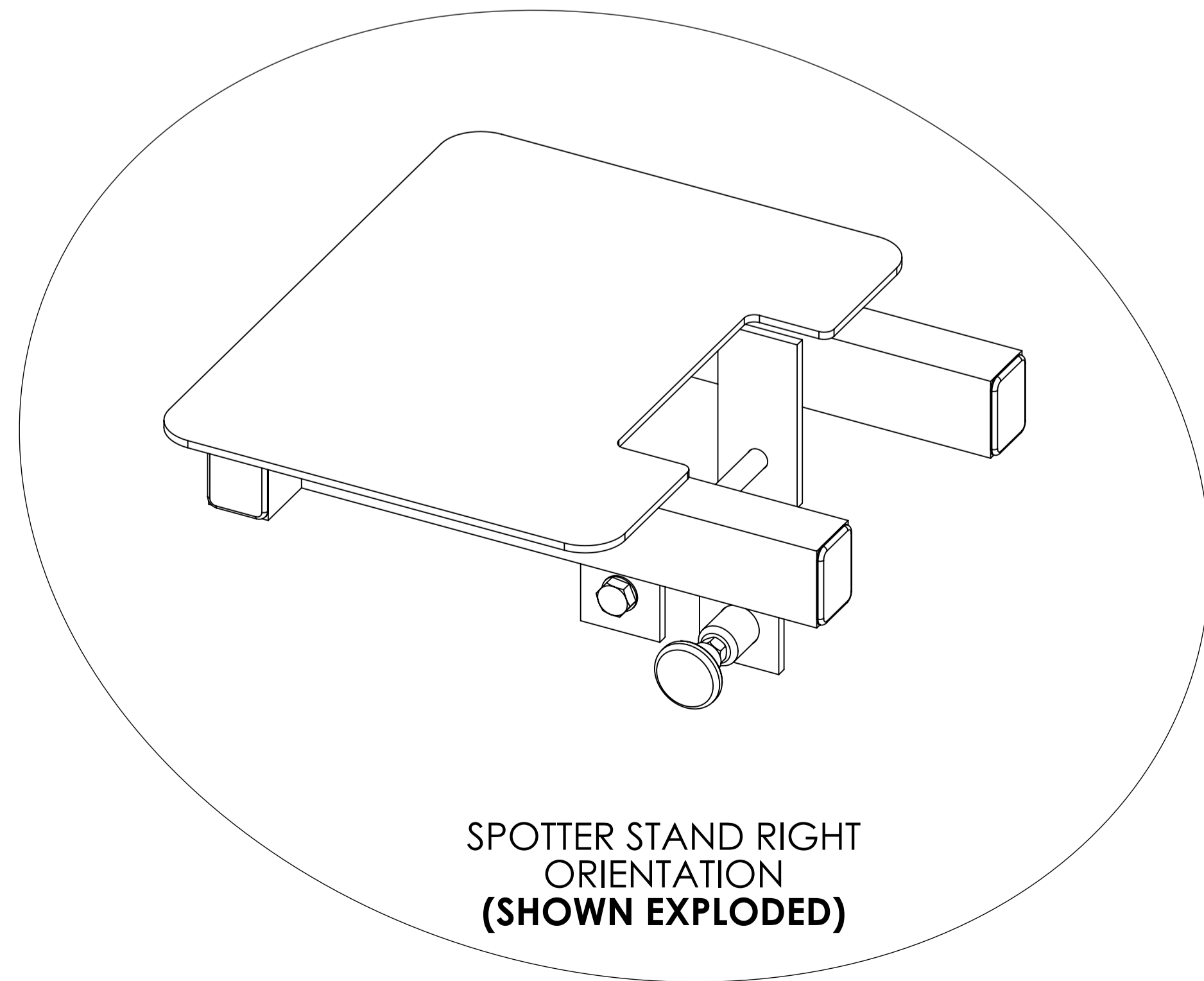
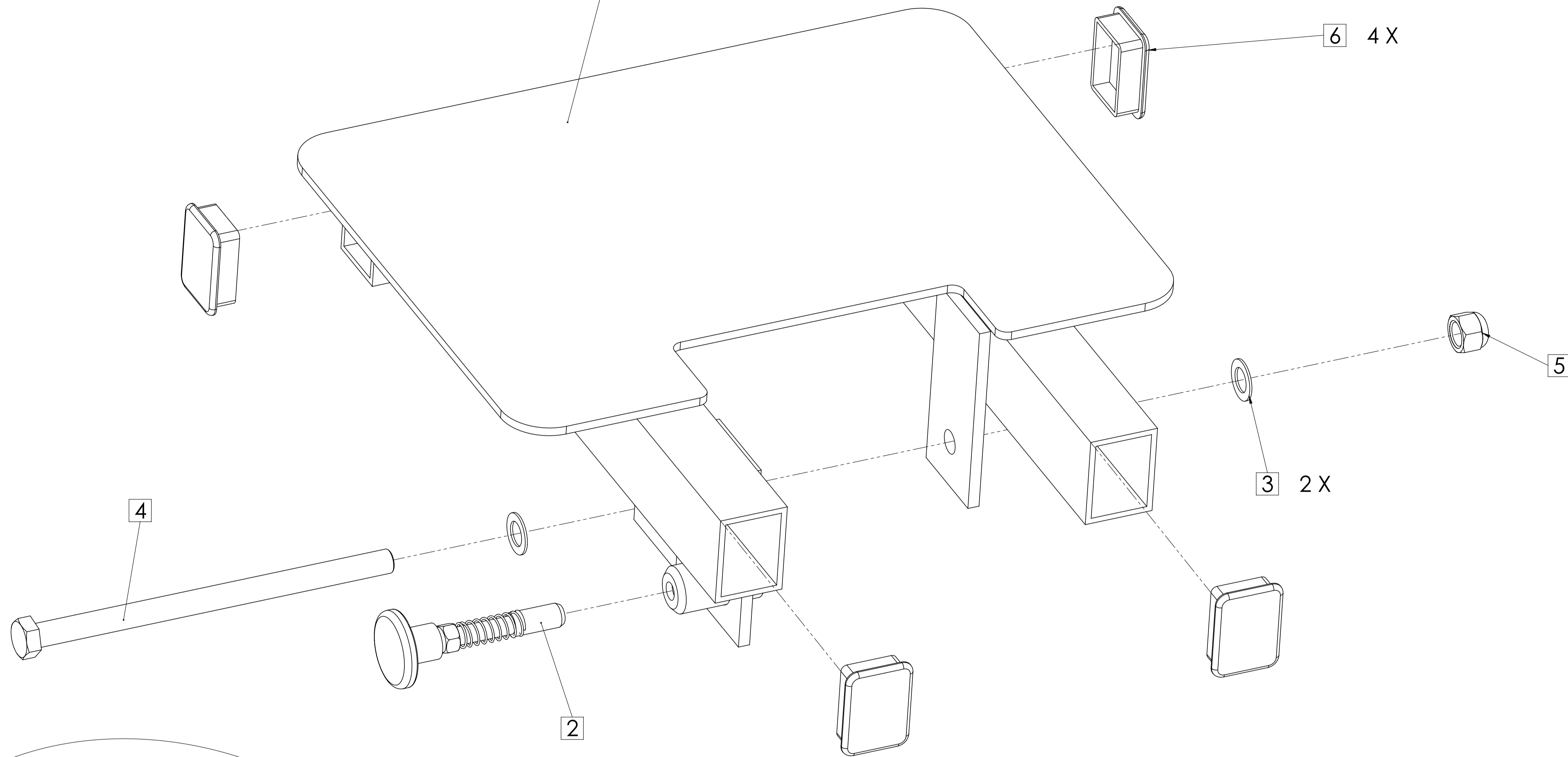
DWG NO. A690-04 SERIES SERVICE

DESCRIPTION: MG HALF RACK
(Racks and Platforms)

DRAWN BY: LMB DATE: 2014.APR.08

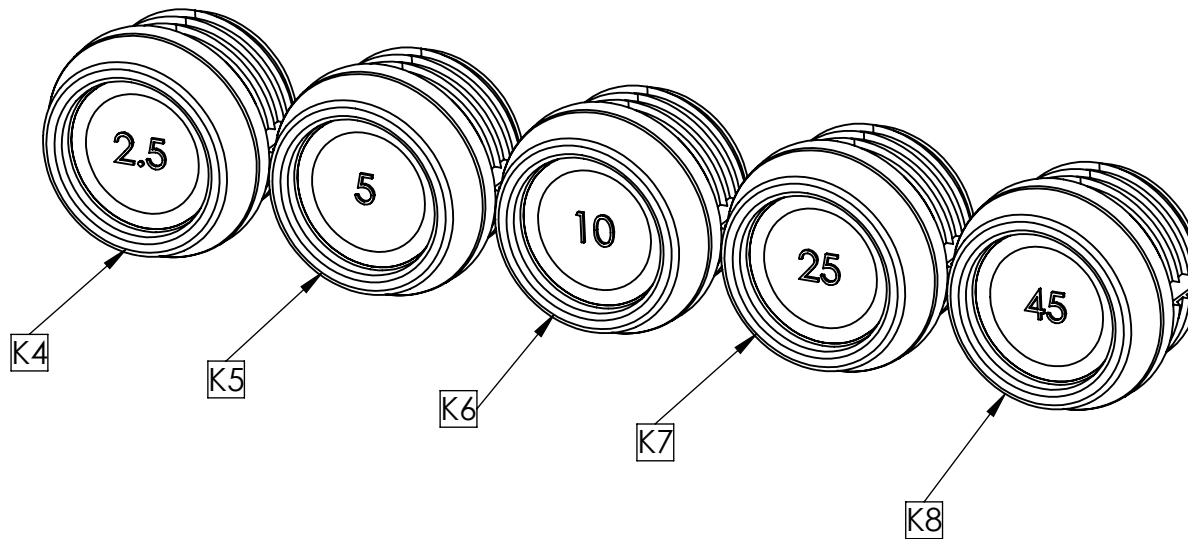
UPDATED BY: LMB DATE: 2014.NOV.17

1 IMAGE WILL VARY SLIGHTLY FOR OPPOSITE MOUNTING ORIENTATION SEE BOM FOR PART NUMBER



NOTE: ASSEMBLY MAY VARY FOR OPPOSITE MOUNTING ORIENTATION (SEE BOM FOR PART NUMBERS)

MATRIX		
DWG NO. 160-004 & 160-005 SERVICE		
DESCRIPTION: SPOTTER STAND (POWER RACKS)		
DRAWN BY: LMB	DATE: 2014.MAR.04	
UPDATED BY: LMB	DATE: 2014.NOV.03	

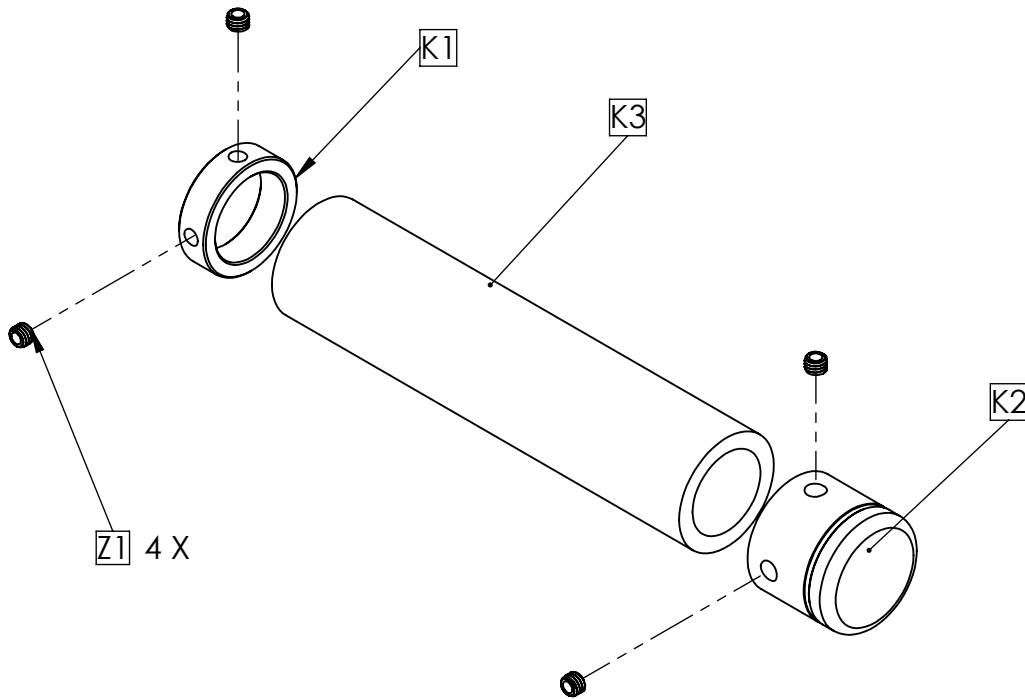


MATRIX

DWG. NO.
160-055 SERVICE

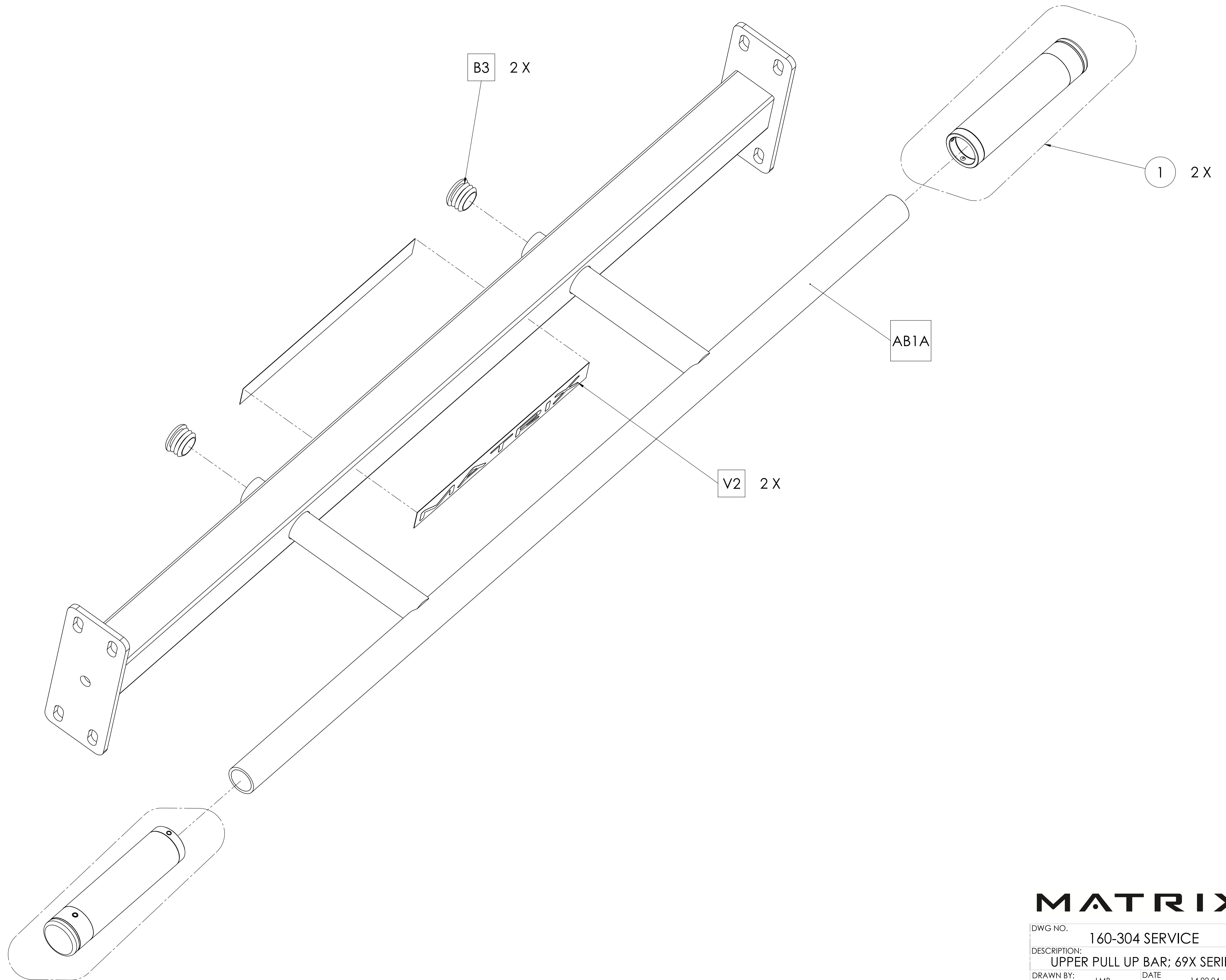
DESCRIPTION:
WEIGHT HORN KIT

DRAWN:	LMB	DATE	13.01.25
UPDATED:	LMB	DATE	13.09.06



MATRIX

DWG. NO.	KIT1 HAND GRIP	
DESCRIPTION:	HAND GRIP	
DRAWN:	LMB	DATE 13.03.26
UPDATED:	--	DATE --



MATRIX

DWG NO.	160-304 SERVICE		
DESCRIPTION:	UPPER PULL UP BAR; 69X SERIES		
DRAWN BY:	LMB	DATE	14.02.04
UPDATED BY:	--	DATE	--