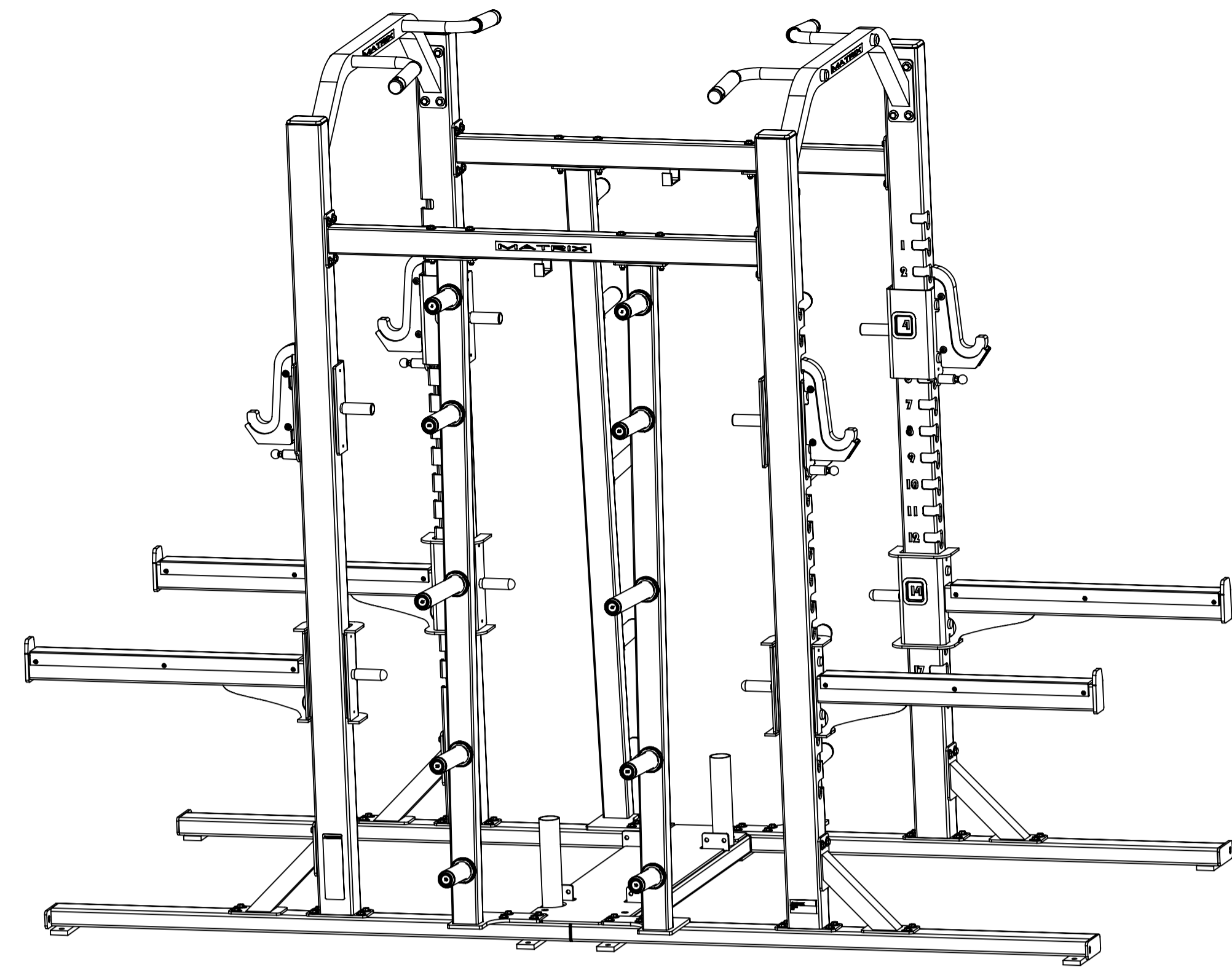
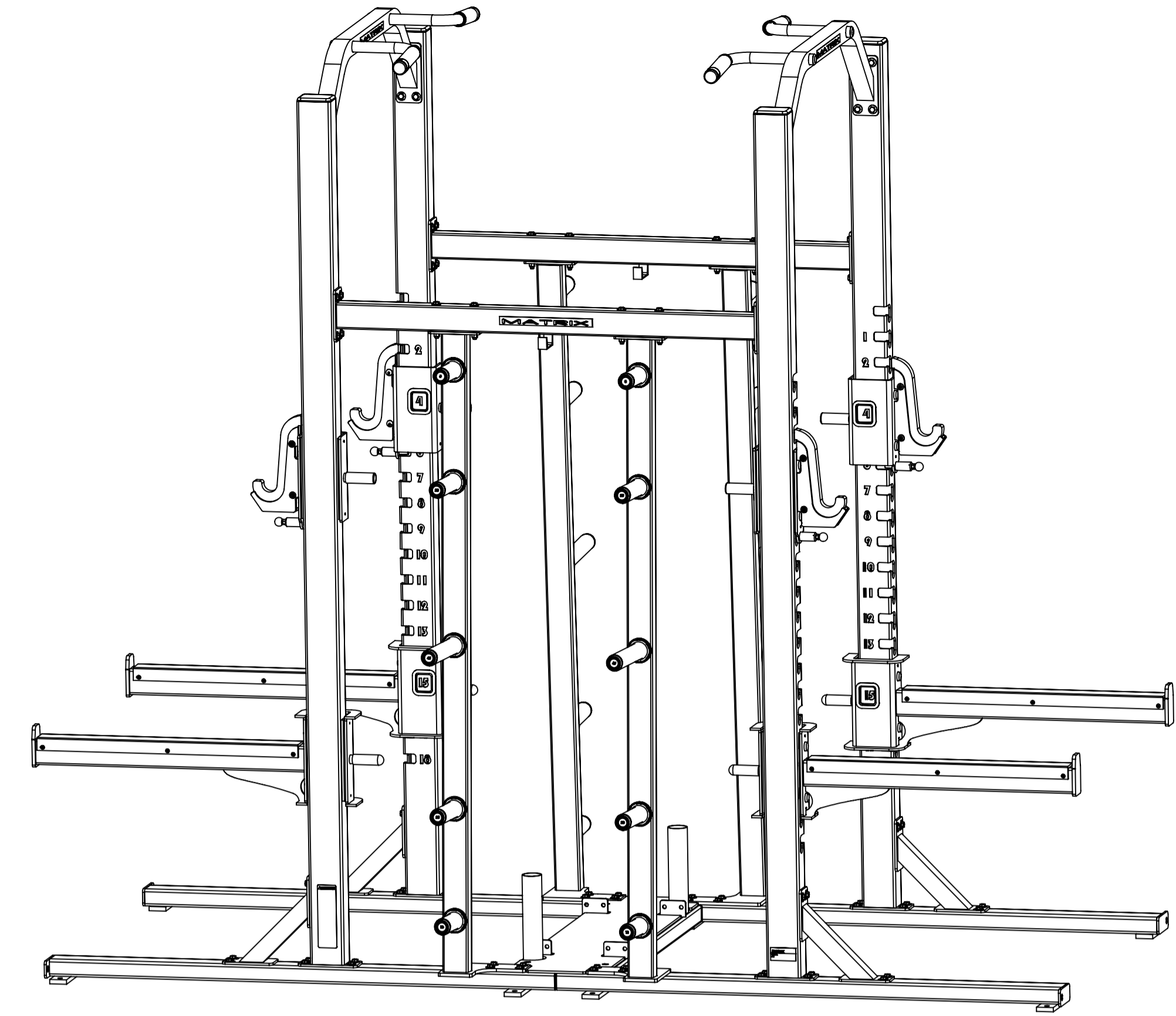


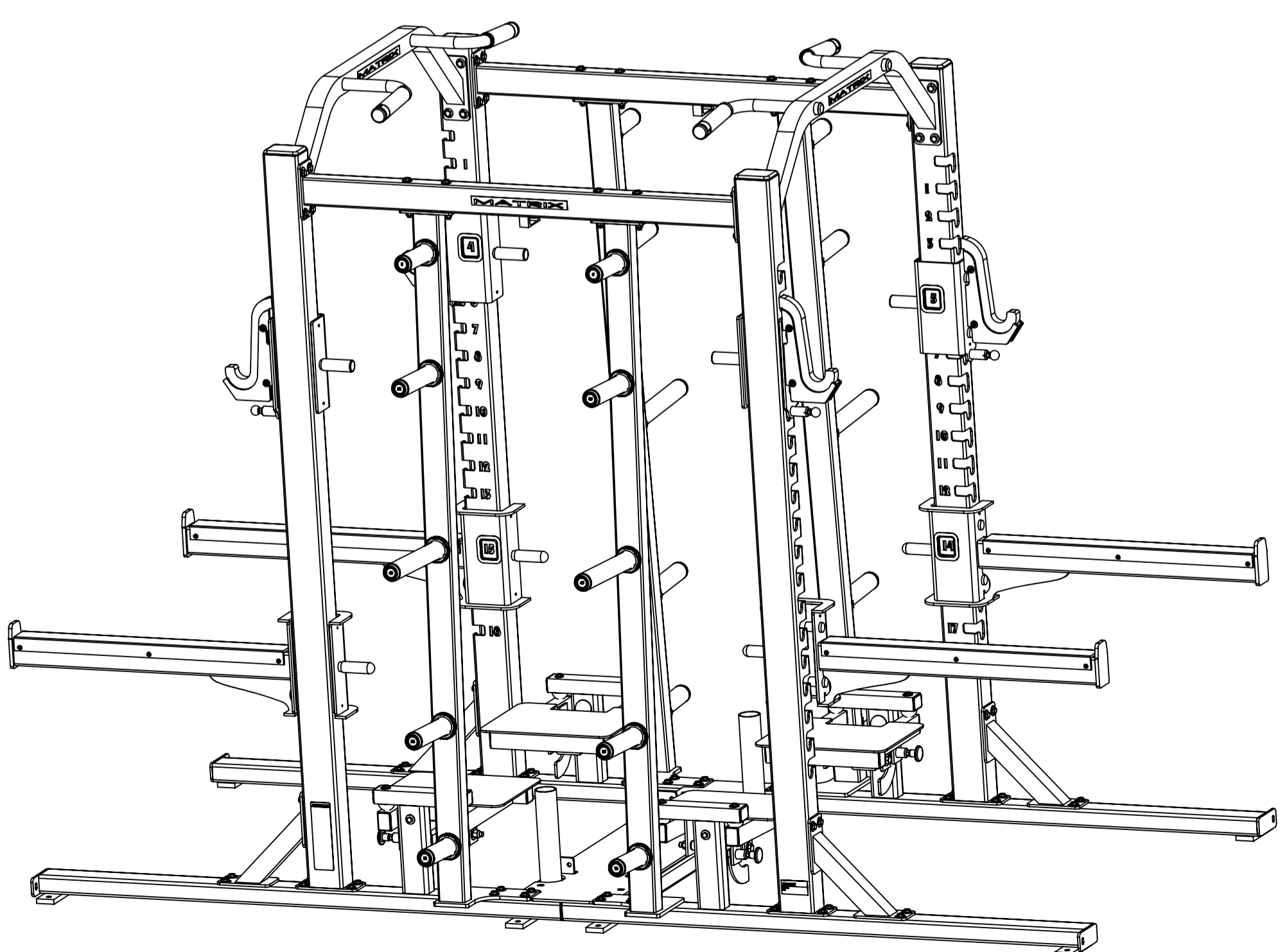
A691-7N M  
WITHOUT SPOTTER STAND



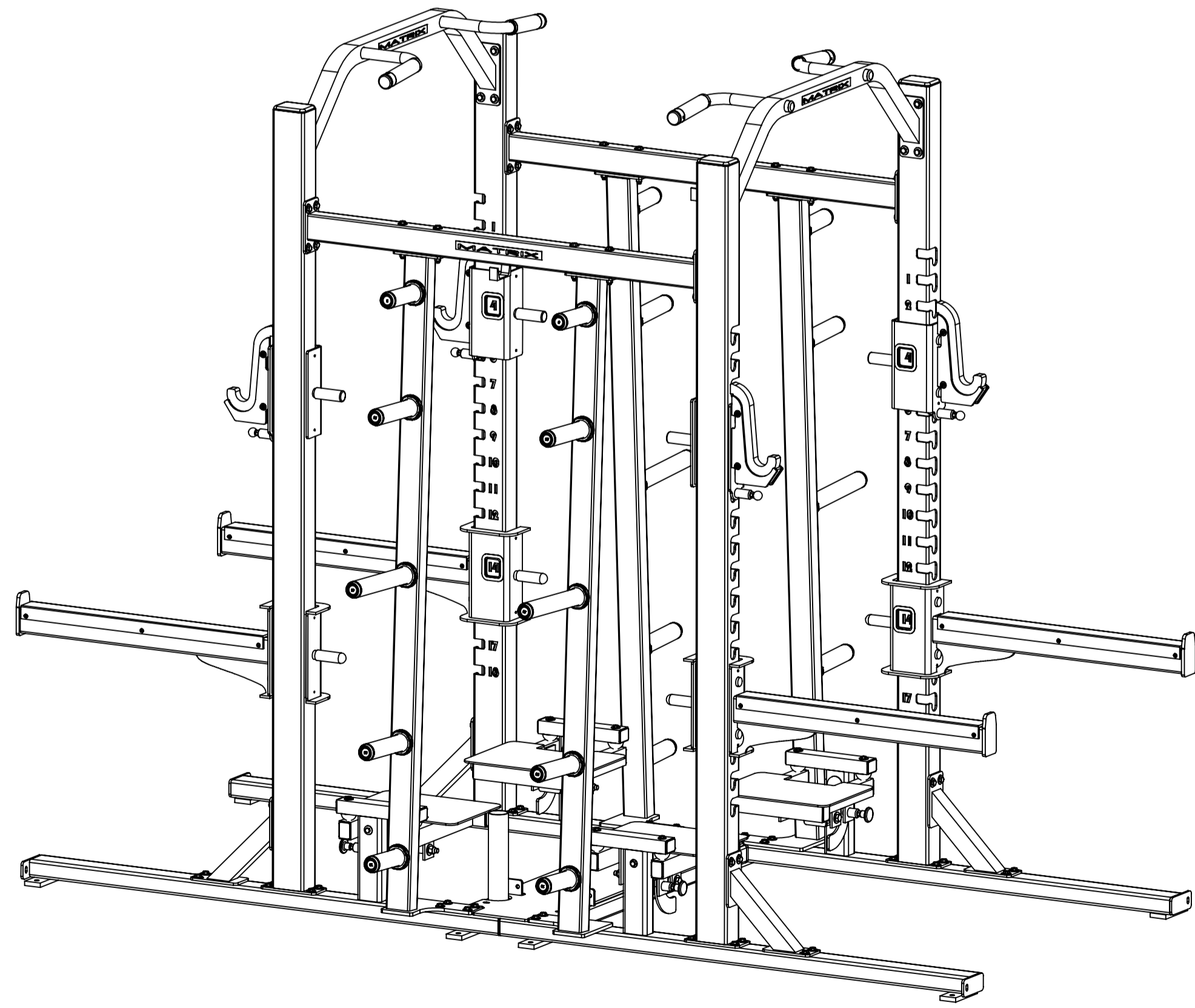
A691-N M  
WITHOUT SPOTTER STAND



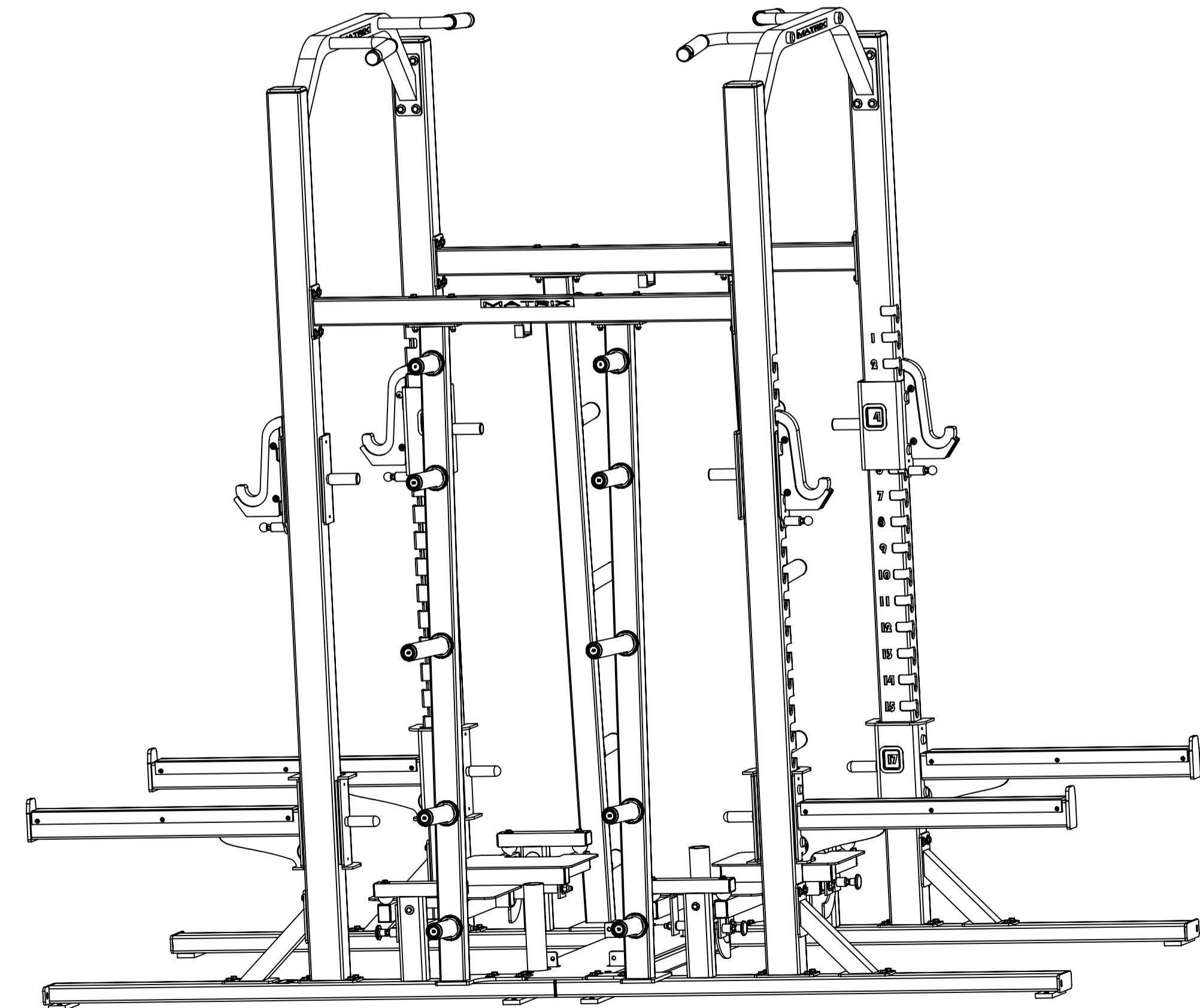
A691-9N M  
WITHOUT SPOTTER STAND



A691-7 M



A691 M  
SHOWN IN EXPLODED VIEW SHEET 1



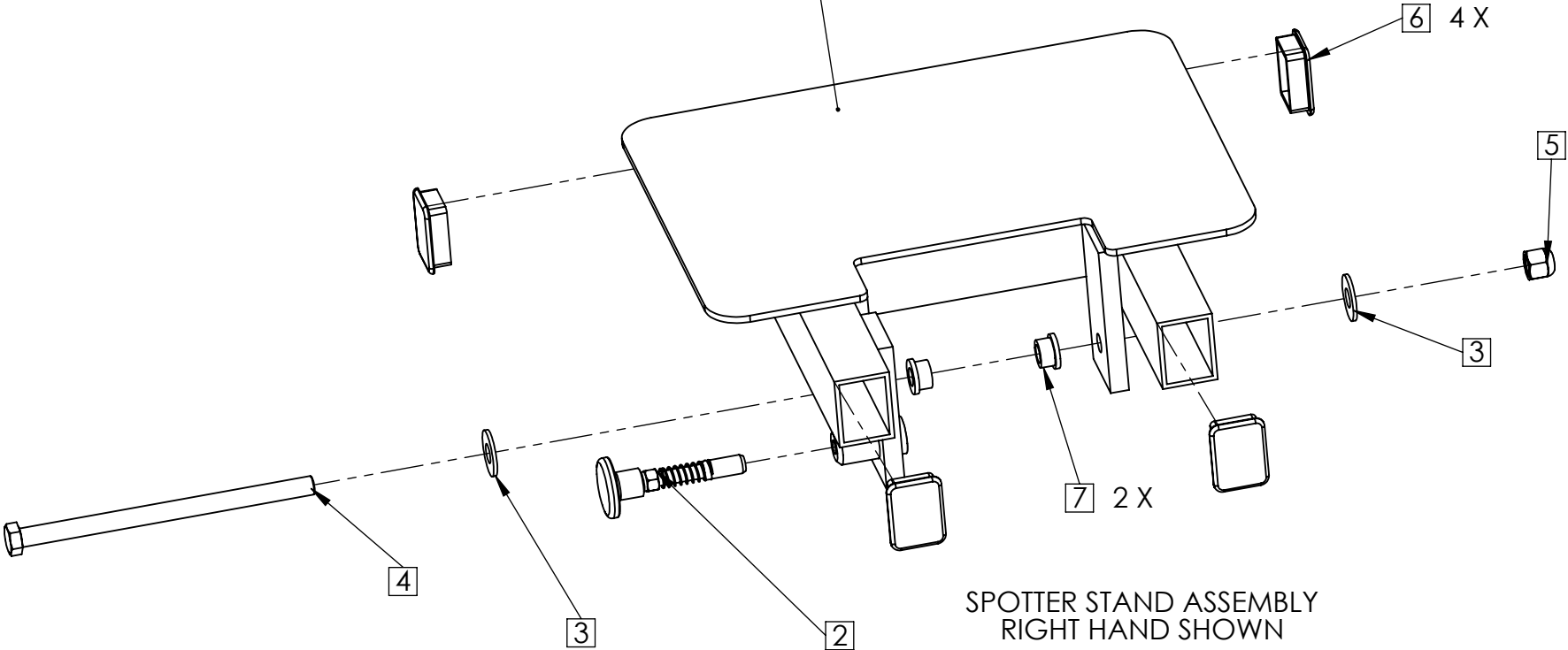
A691-9 M

**MATRIX**

DWG NO. A691 M SERIES SERVICE  
DESCRIPTION DOUBLE HALF RACK

DRAWN BY:	LMB	DATE	13.03.20
UPDATED BY:	LMB	DATE	14.02.05

1 IMAGE WILL VARY SLIGHTLY FOR  
OPPOSITE MOUNTING ORIENTATION  
SEE BOM FOR PART NUMBER



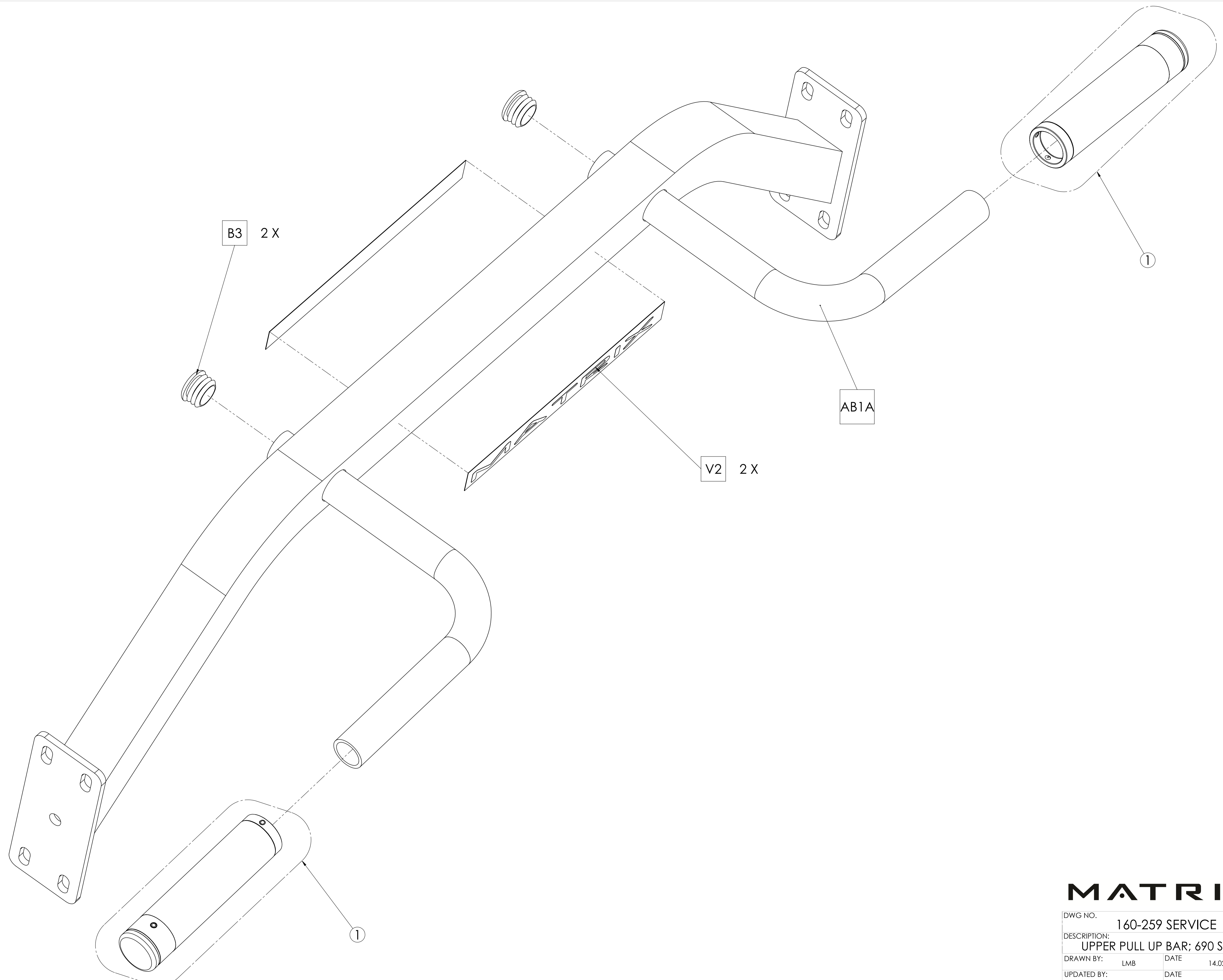
SPOTTER STAND ASSEMBLY  
RIGHT HAND SHOWN

# MATRIX

DWG. NO.  
160-005 SERVICE SPOTTER STAND

DESCRIPTION:  
SPOTTER STAND

DRAWN:	LMB	DATE	13.03.18
UPDATED:	--	DATE	--



B3 2 X

AB1A

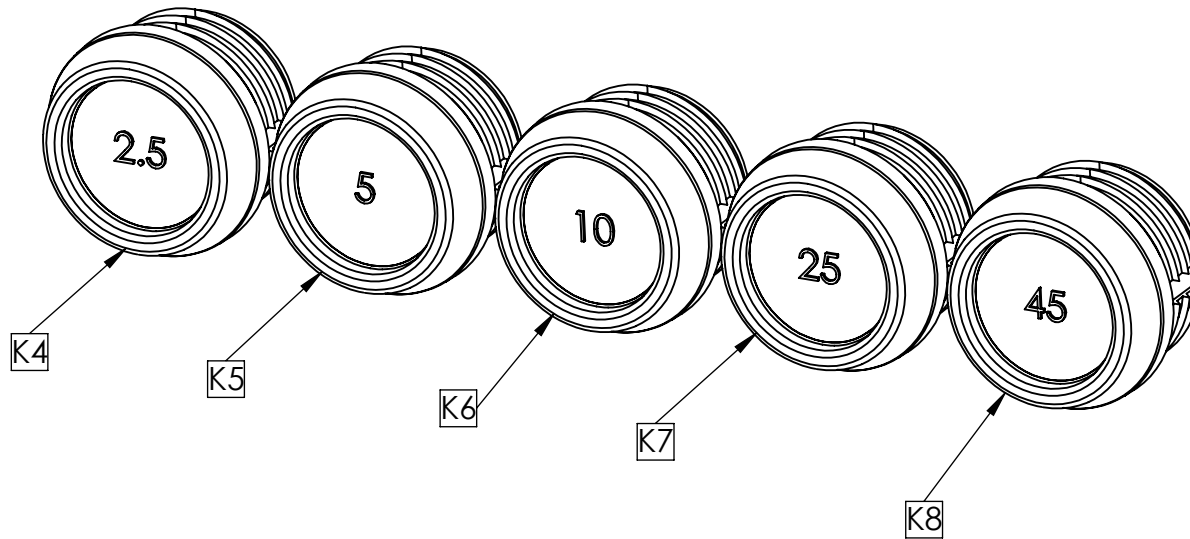
V2 2 X

1

1

**MATRIX**

DWG NO. 160-259 SERVICE	
DESCRIPTION: UPPER PULL UP BAR; 690 SERIES	
DRAWN BY: LMB	DATE 14.02.04
UPDATED BY: --	DATE --

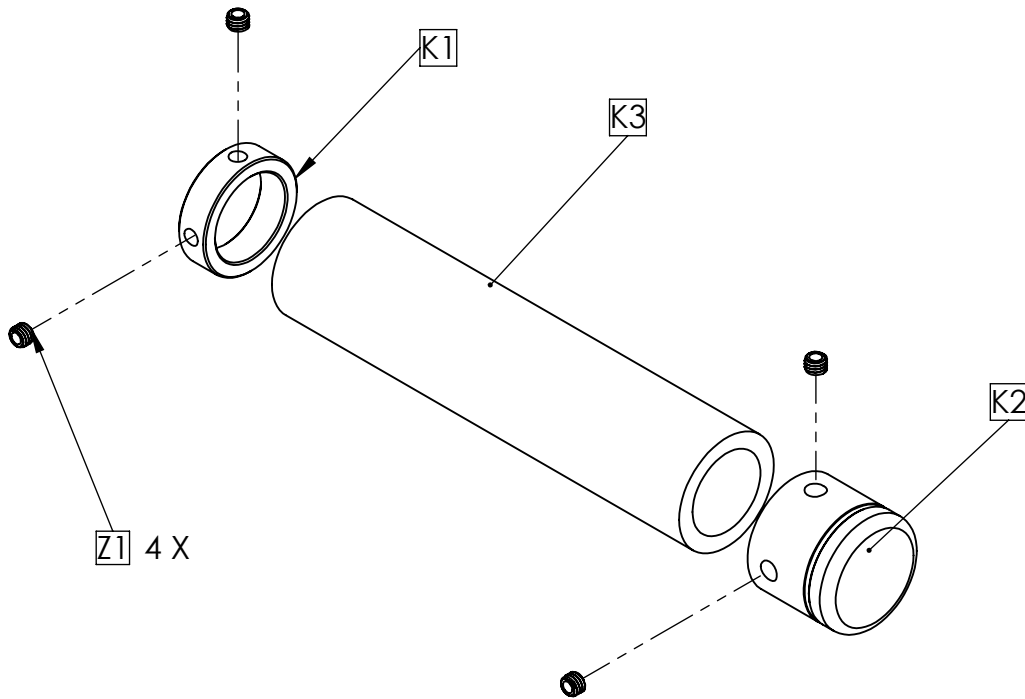


# MATRIX

DWG. NO.  
KIT8 WEIGHT HORNS

DESCRIPTION:  
WEIGHT HORN KIT

DRAWN:	LMB	DATE	13.01.25
UPDATED:	--	DATE	--



# MATRIX

DWG. NO.	KIT1 HAND GRIP		
DESCRIPTION:	HAND GRIP		
DRAWN:	LMB	DATE	13.03.26
UPDATED:	--	DATE	--