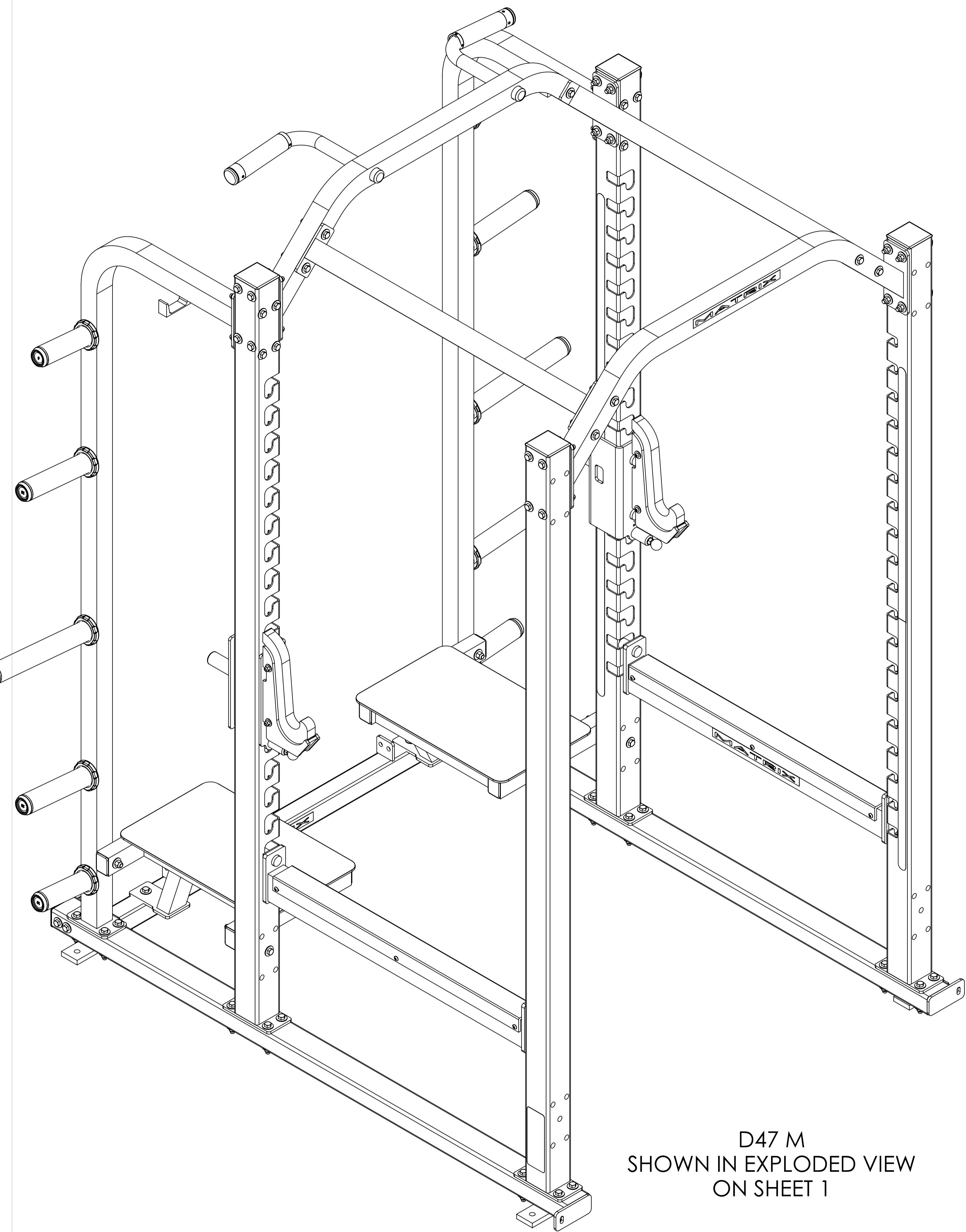
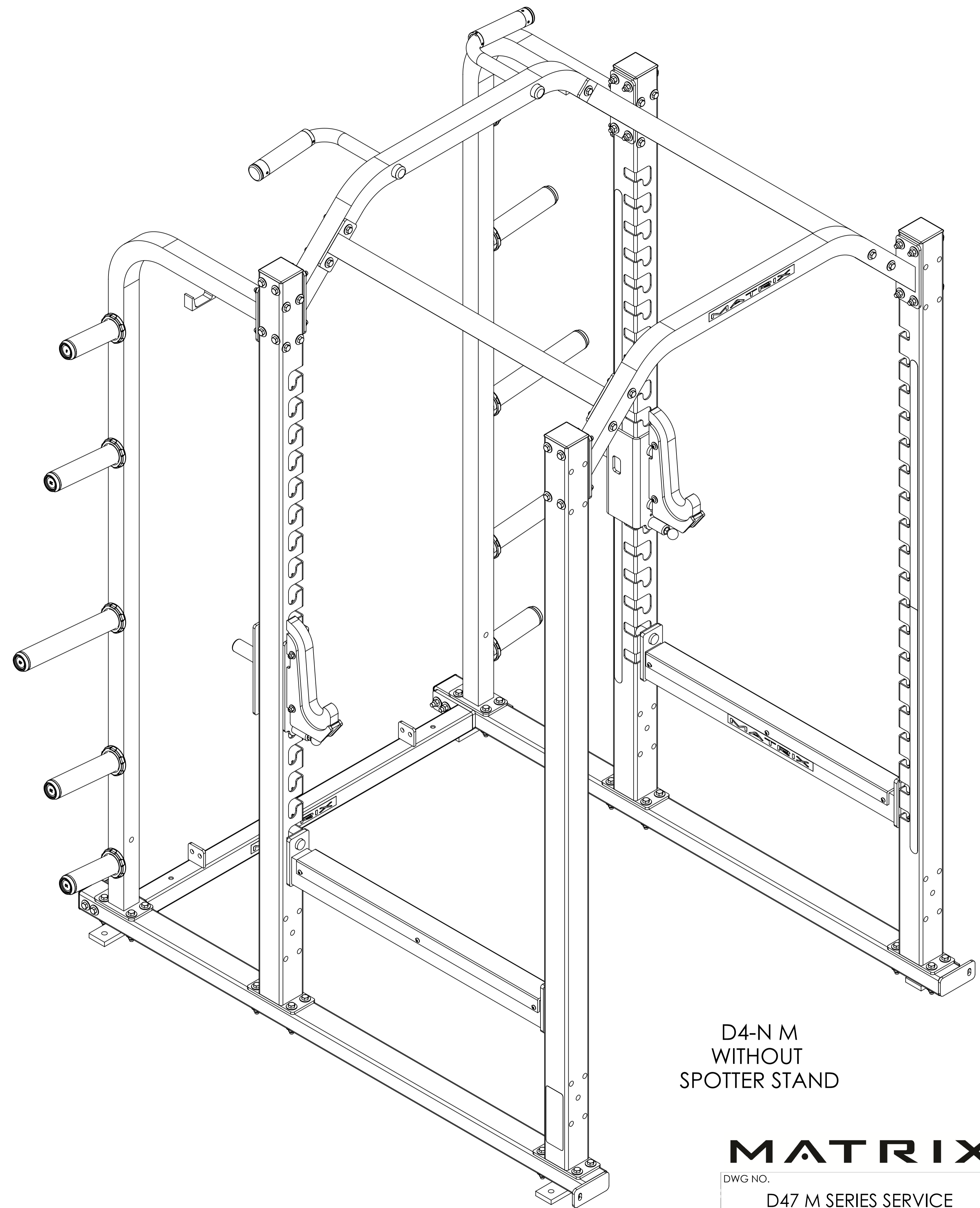


# MATRIX

|              |   |       |             |
|--------------|---|-------|-------------|
| DWG NO.      | D47 M SERIES SERVICE                      |       |             |
| DESCRIPTION: | VARSITY POWER RACK<br>(Racks & Platforms) |       |             |
| DRAWN BY:    | LMB                                       | DATE: | 2013.JUN.03 |
| UPDATED BY:  | LMB                                       | DATE: | 2017.JAN.4  |



D47 M  
SHOWN IN EXPLODED VIEW  
ON SHEET 1

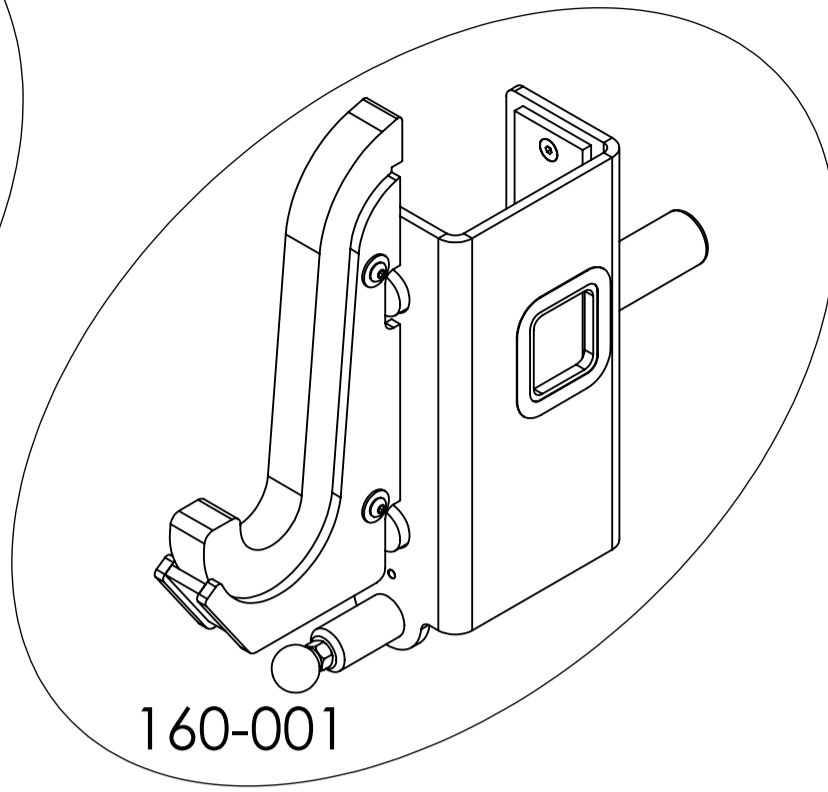
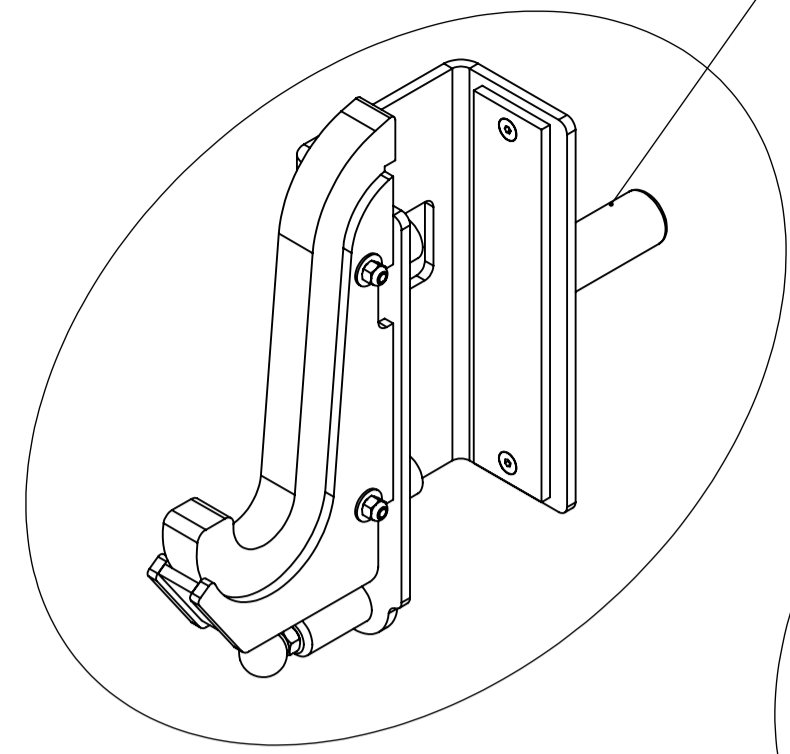


D4-N M  
WITHOUT  
SPOTTER STAND

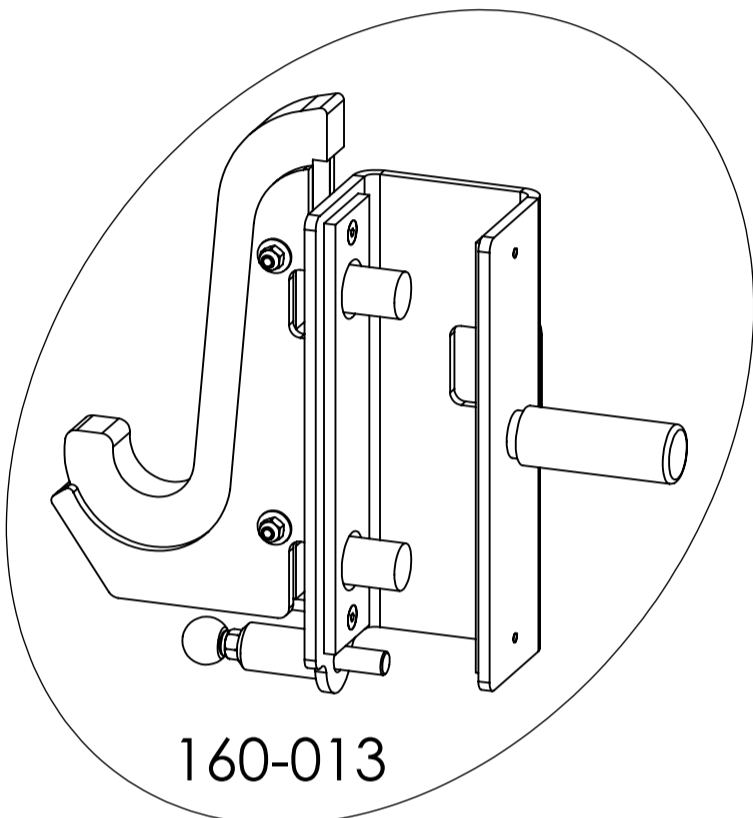
**MATRIX**

|  |                   |
|--|-------------------|
| DWG NO.  |                   |
| D47 M SERIES SERVICE                                   |                   |
| DESCRIPTION: VARSITY POWER RACK<br>(Racks & Platforms) |                   |
| DRAWN BY: LMB  | DATE: 2013.JUN.03 |
| UPDATED BY: LMB  | DATE: 2017.JAN.4  |

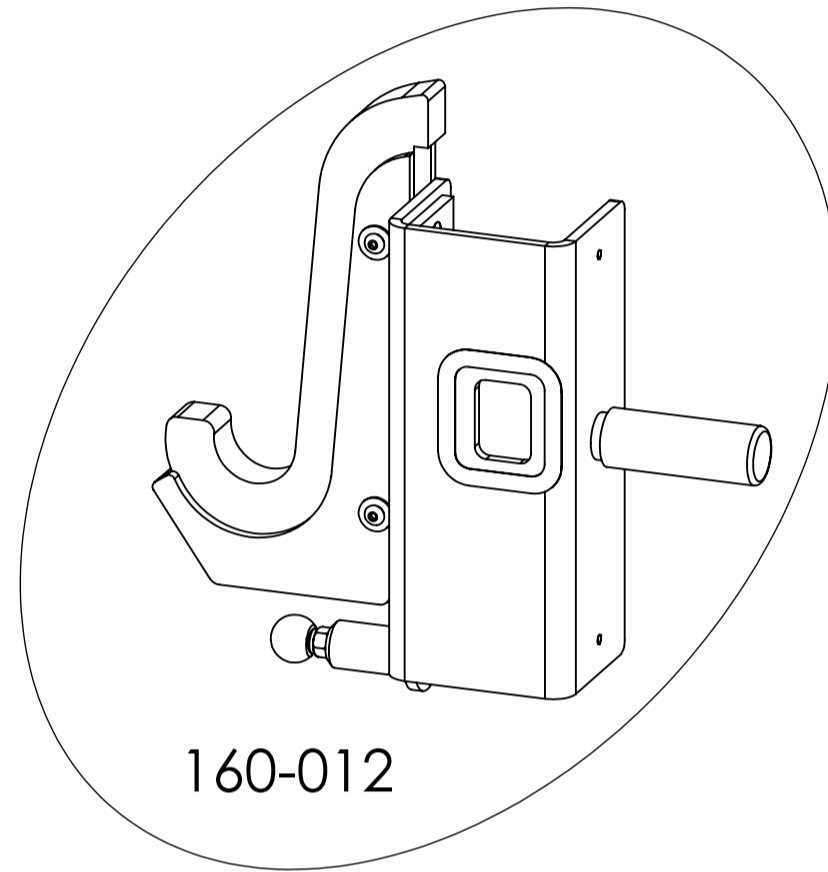
160-000  
(SHOWN EXPLODED)



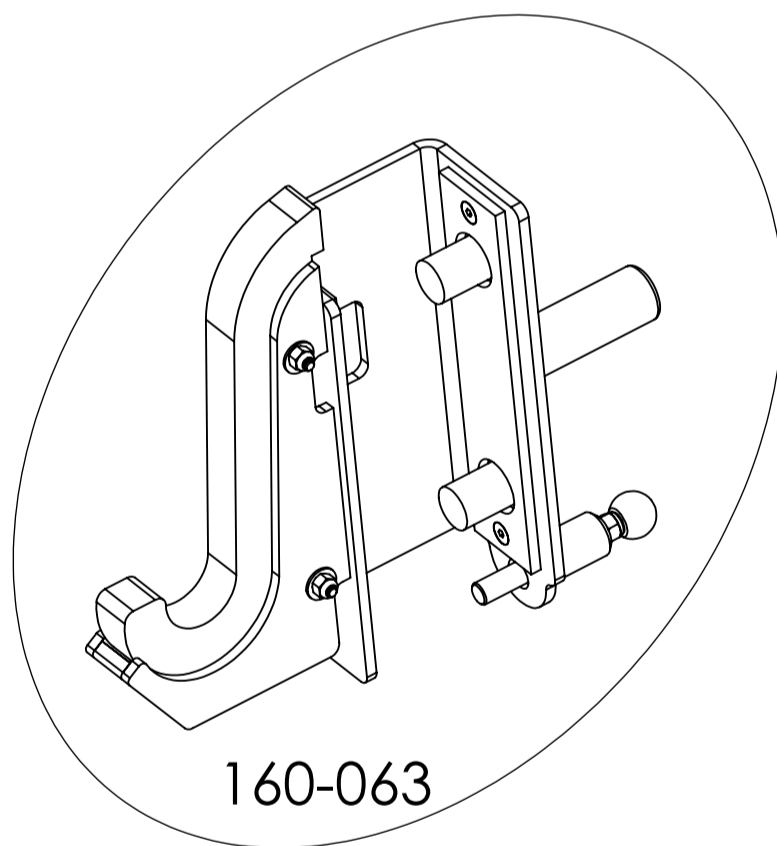
160-001



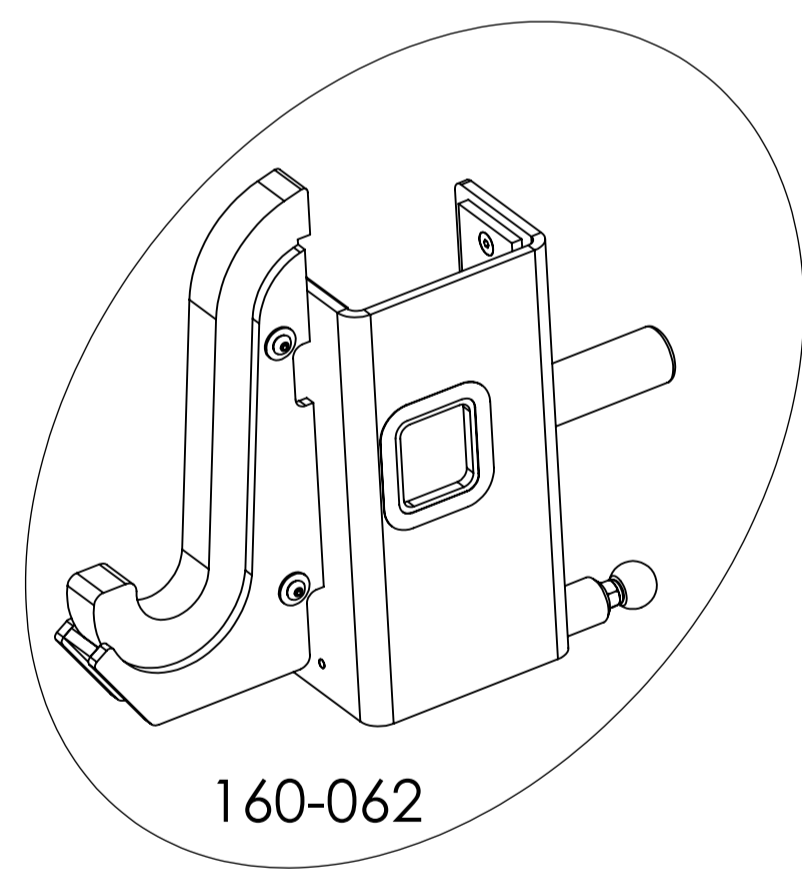
160-013



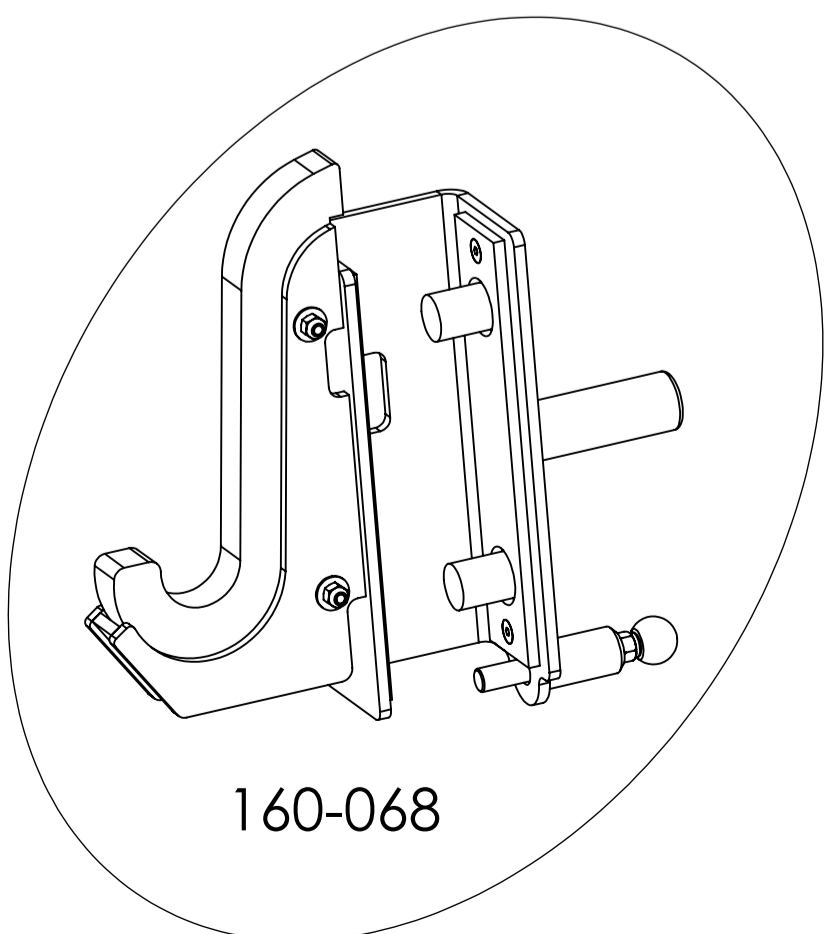
160-012



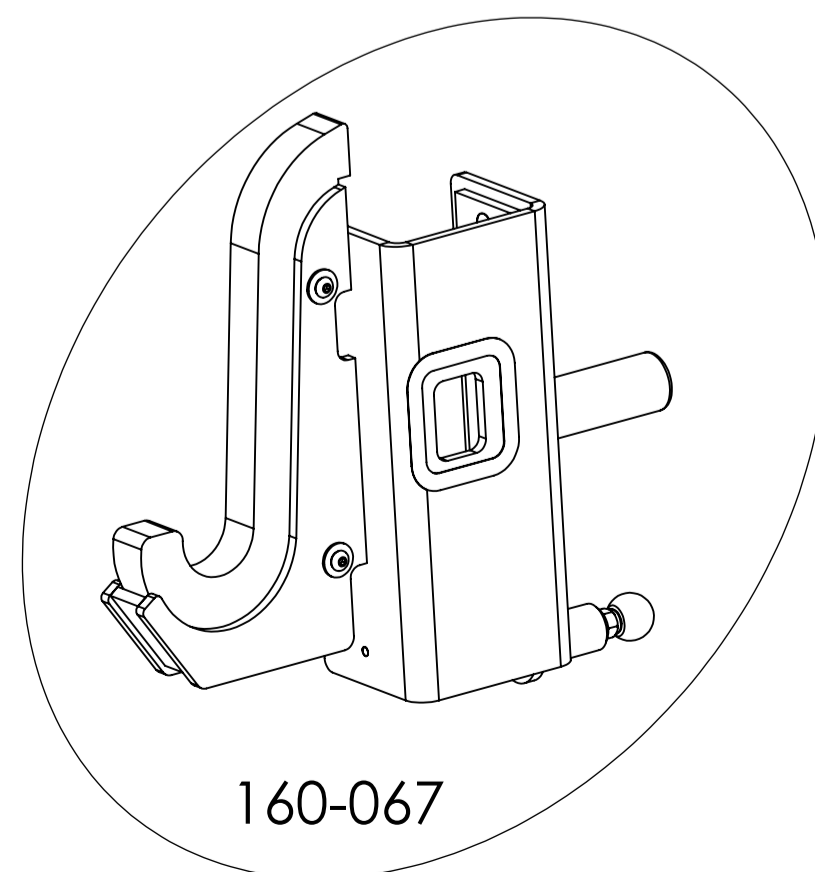
160-063



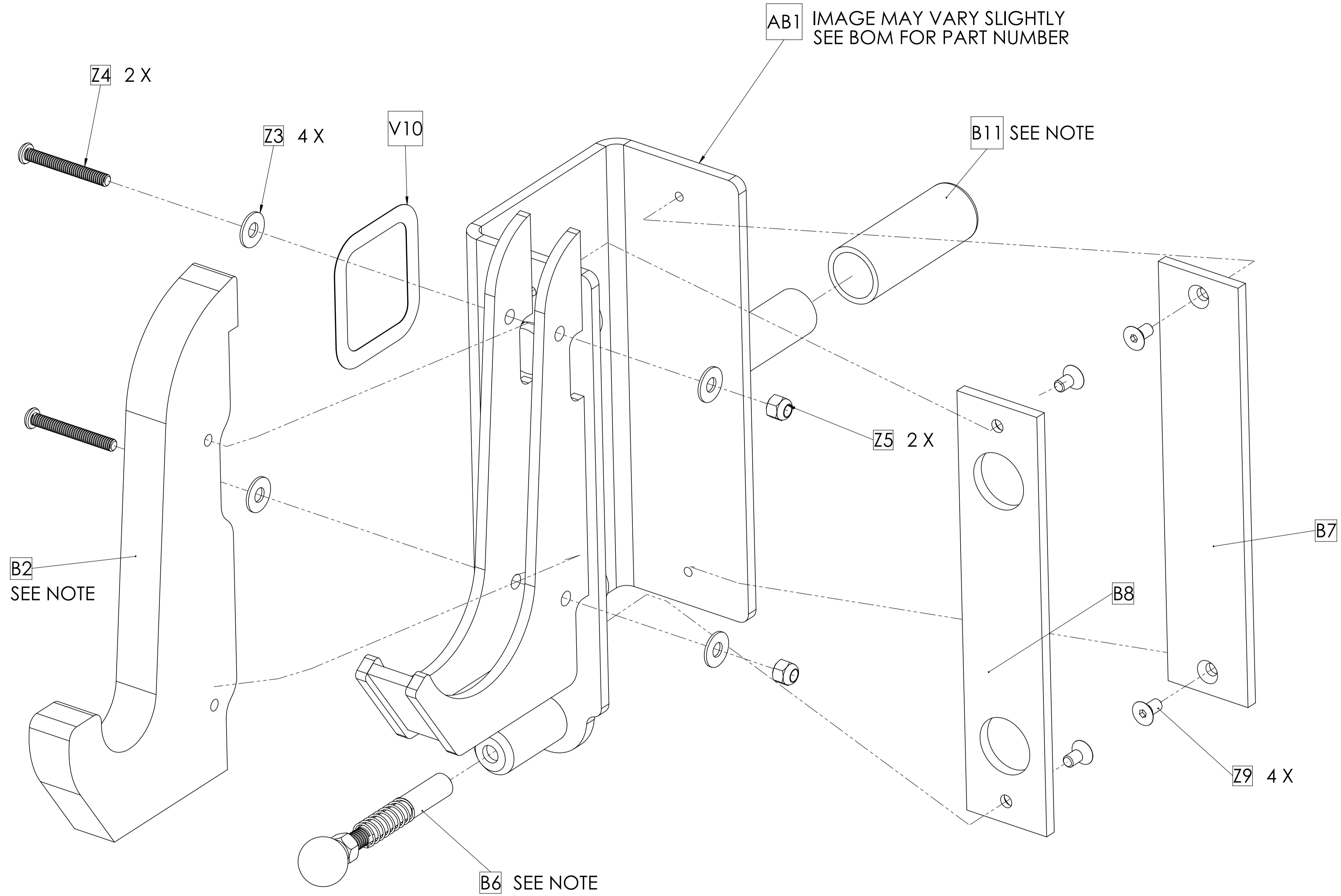
160-062



160-068



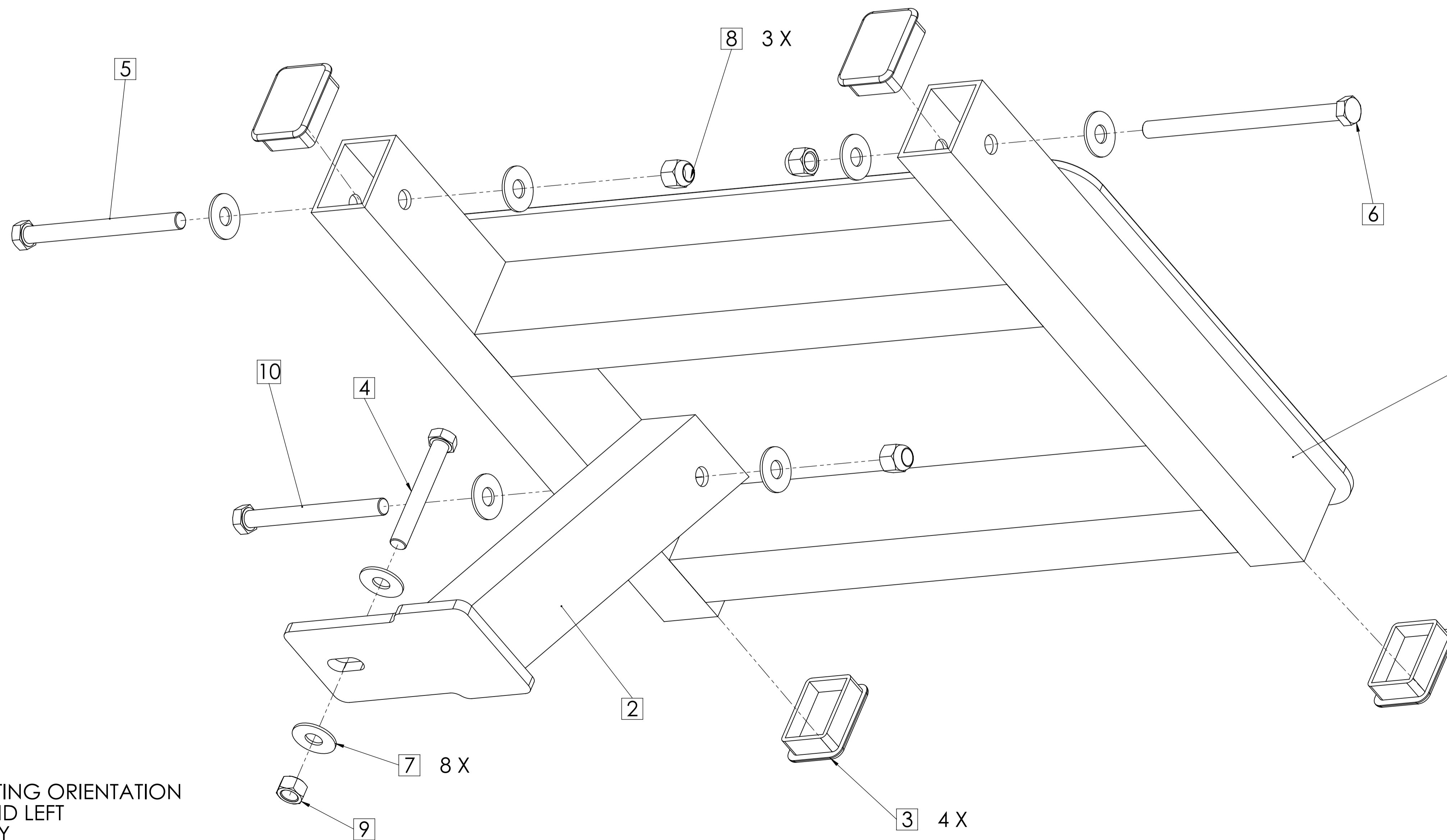
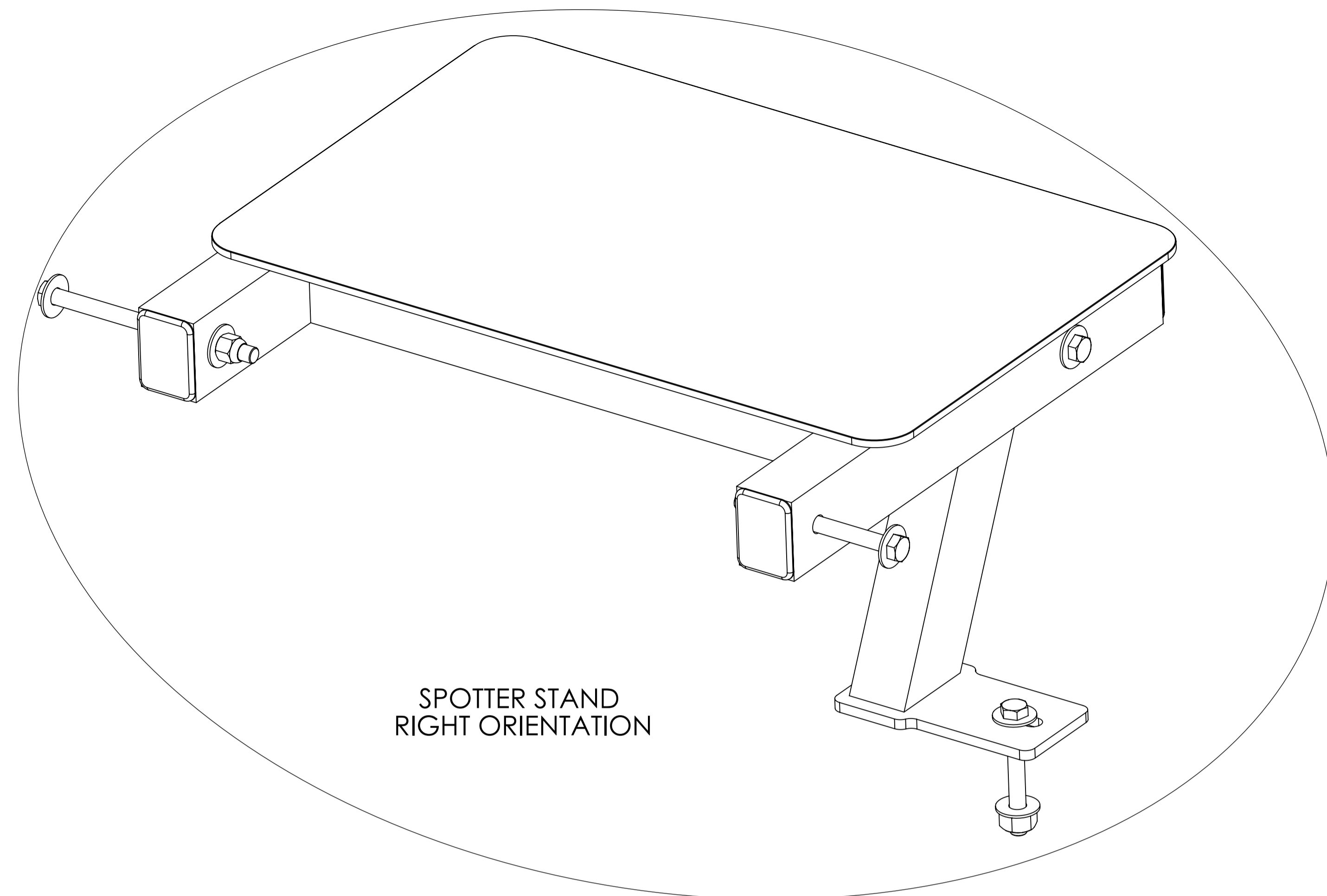
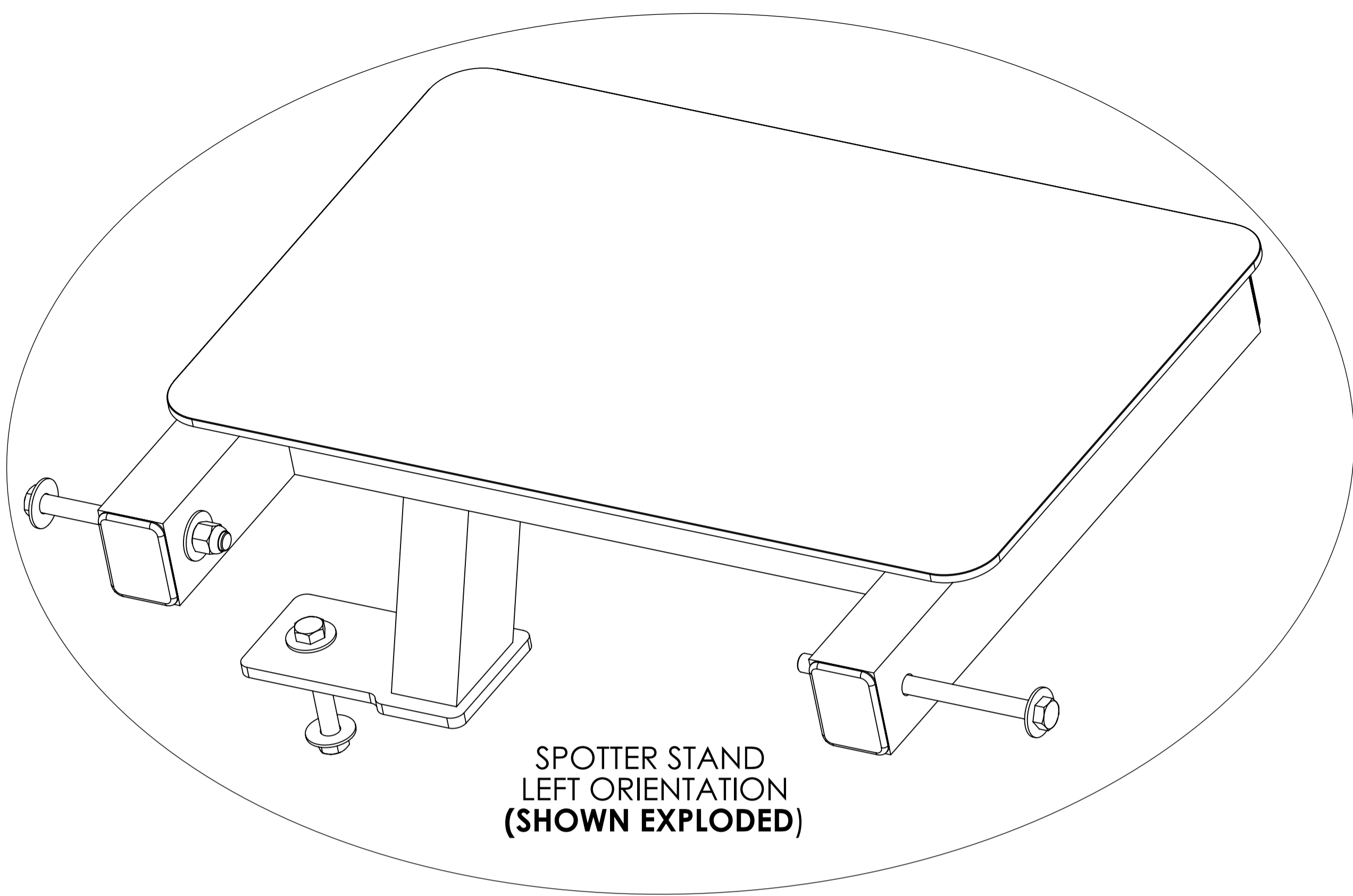
160-067



\*NOTE: ASSEMBLY MAY VARY  
FOR SPECIFIC J-HOOK ASSEMBLY &  
OPPOSITE MOUNTING ORIENTATION  
(SEE BOM FOR PART NUMBERS)

**MATRIX**

|              |                 |      |          |
|--------------|-----------------|------|----------|
| DWG NO.      | 160-000 SERVICE |      |          |
| DESCRIPTION: | J-HOOK ASSEMBLY |      |          |
| DRAWN BY:    | LMB             | DATE | 13.12.31 |
| UPDATED BY:  |                 | DATE |          |

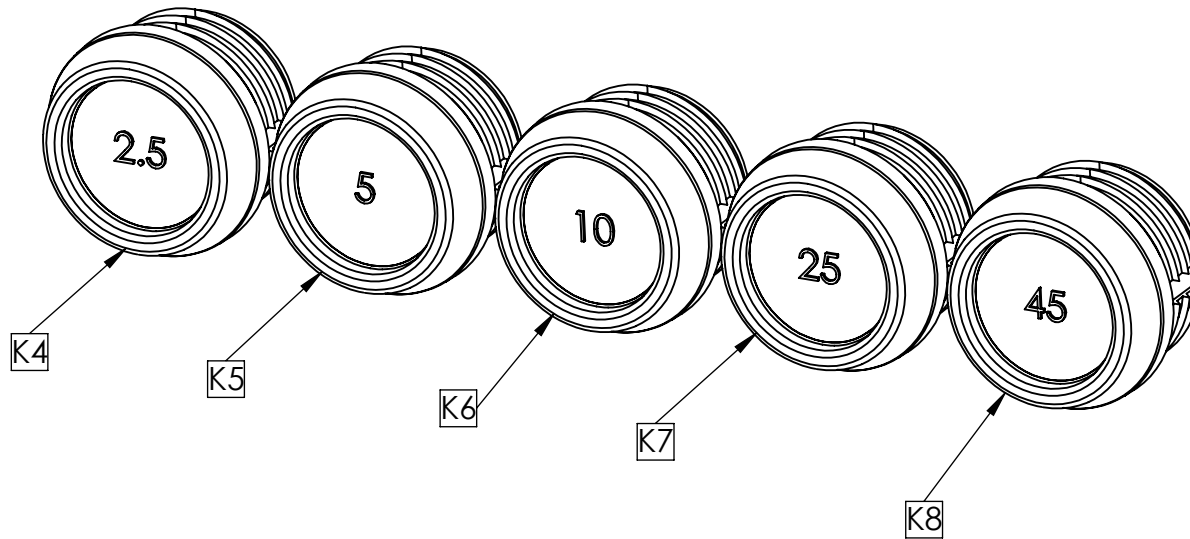


1 IMAGE WILL VARY SLIGHTLY FOR  
OPPOSITE MOUNTING ORIENTATION  
(SEE BOM FOR PART NUMBER)

NOTE: ASSEMBLY MOUNTING ORIENTATION  
WILL VARY FOR RIGHT AND LEFT  
SPOTTER STAND ASSEMBLY  
(SEE BOM FOR PART NUMBERS)

**MATRIX**

|              |        |   |             |
|--------------|--------|---|-------------|
| DWG NO.      |        | 160-016 & 160-017 SERVICE               |             |
| DESCRIPTION: |        | SPOTTER STAND D-SERIES<br>(Power Racks) |             |
| DRAWN BY:    | LMB    | DATE:                                   | 2013.APR.02 |
| UPDATED BY:  | L.M.B. | DATE:                                   | 2015.MAR.10 |

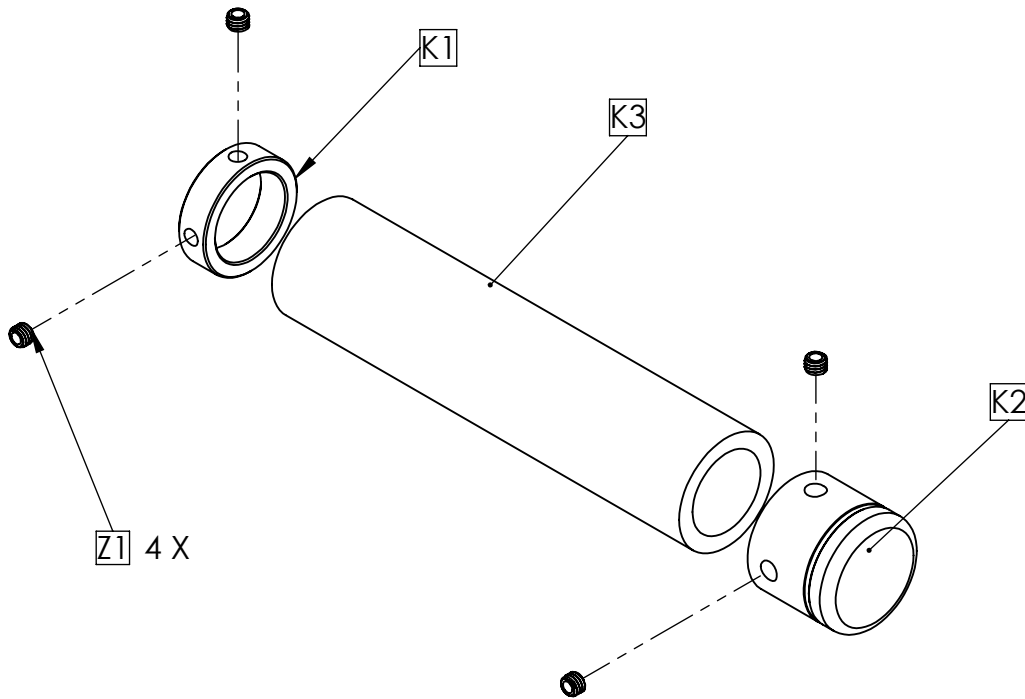


# MATRIX

DWG. NO.  
KIT8 WEIGHT HORNS

DESCRIPTION:  
WEIGHT HORN KIT

|          |     |      |          |
|----------|-----|------|----------|
| DRAWN:   | LMB | DATE | 13.01.25 |
| UPDATED: | --  | DATE | --       |



# MATRIX

|              |                |      |          |
|--------------|----------------|------|----------|
| DWG. NO.     | KIT1 HAND GRIP |      |          |
| DESCRIPTION: | HAND GRIP      |      |          |
| DRAWN:       | LMB            | DATE | 13.03.26 |
| UPDATED:     | --             | DATE | --       |