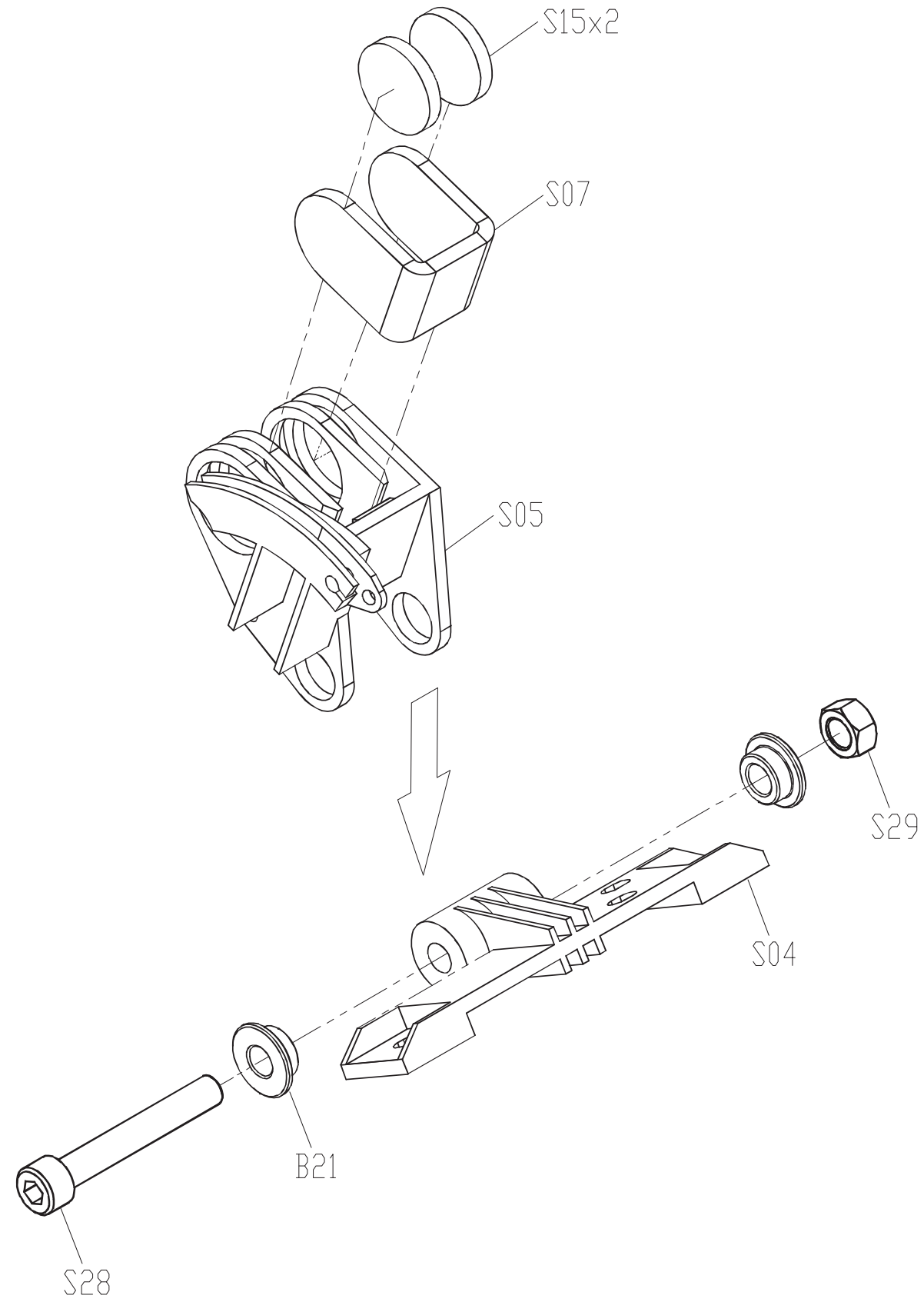
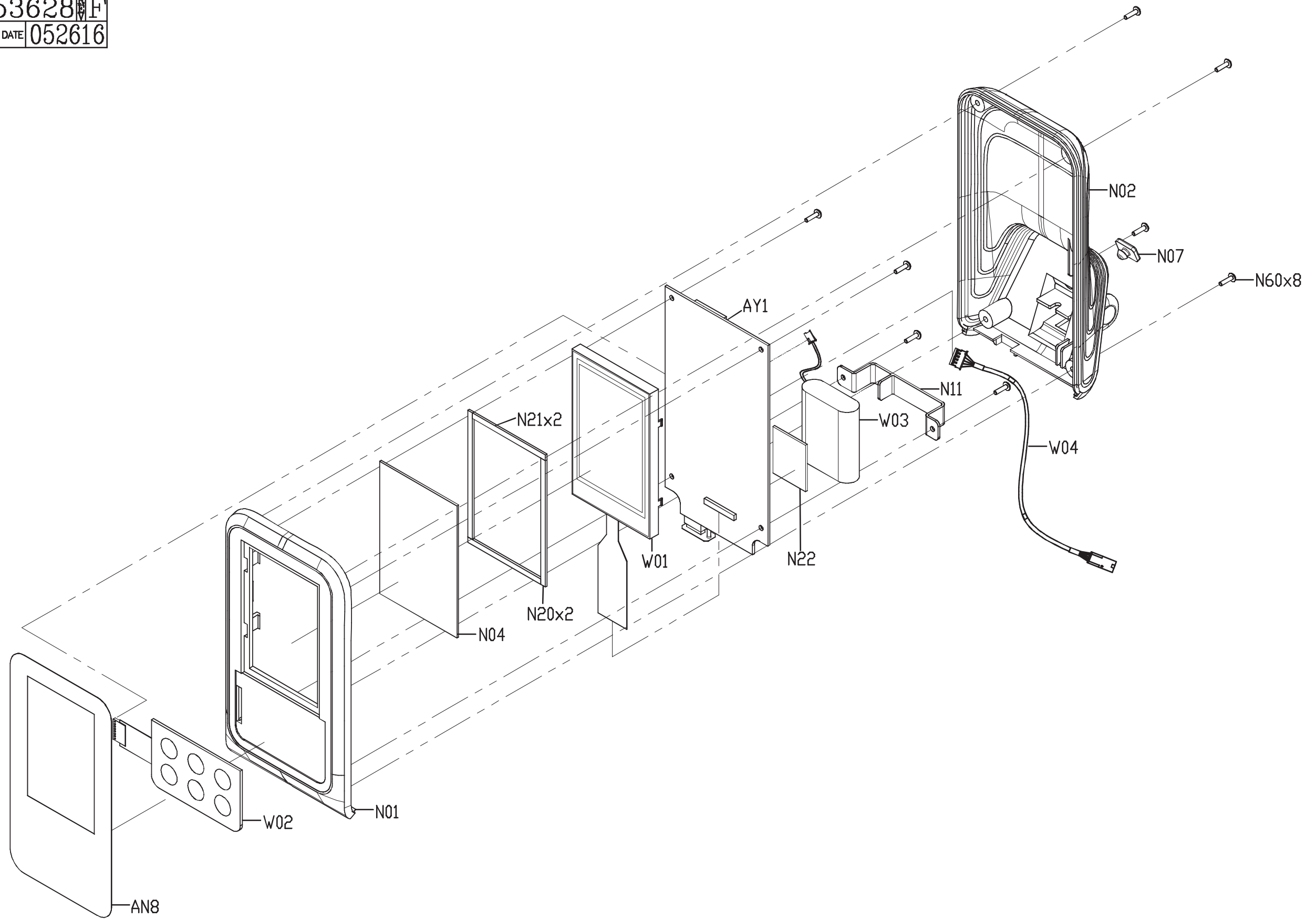




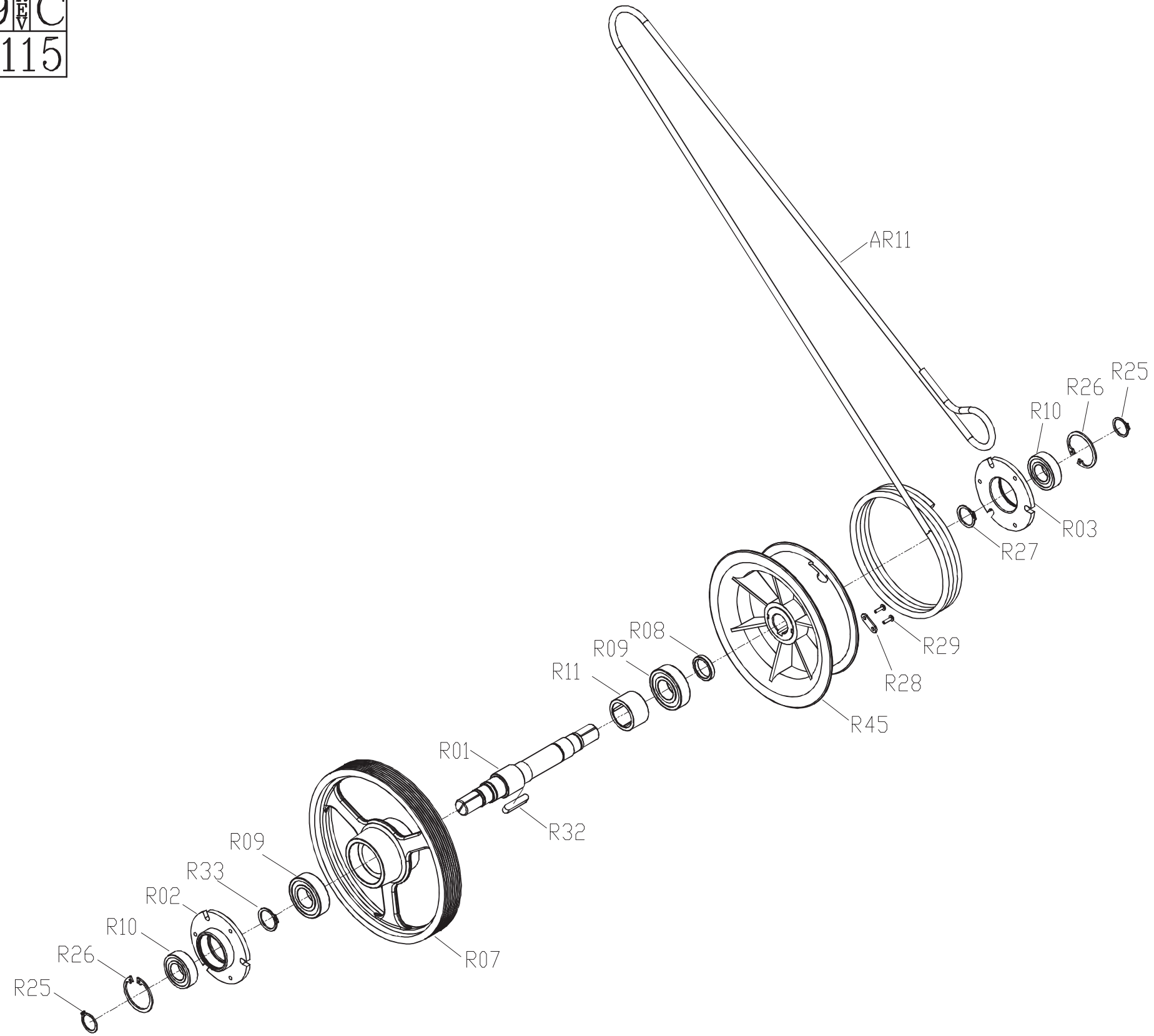
DRAWING NO	AR11-AS10		
PART NAME	ECB SET		
PART NO	1000365256	REV	C
APPROVE	Hunter	DATE	011916



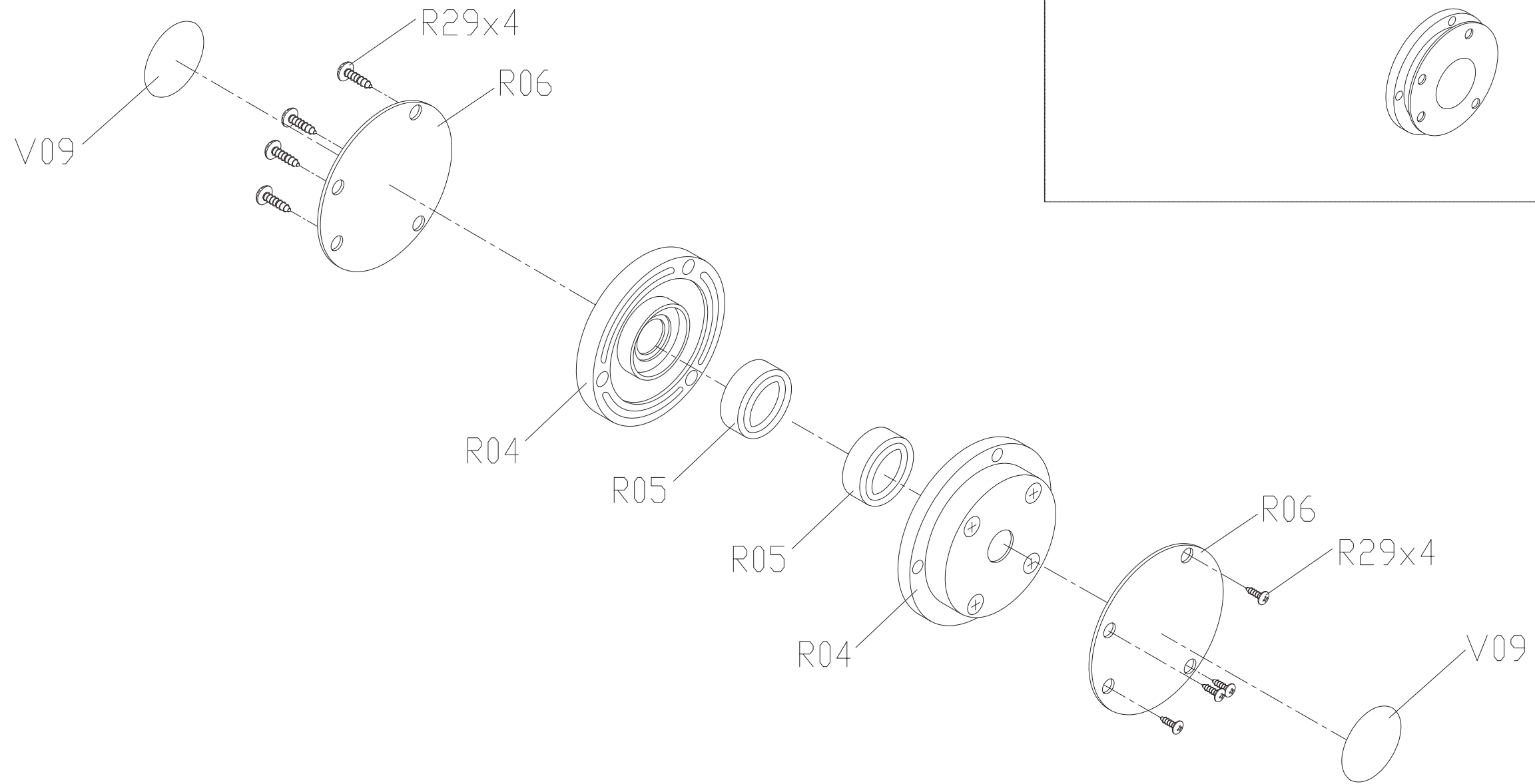
DRAWING NO	AR11-AN1		
PART NAME	Console set;Semi-Assy		
PART NO	1000353628		
APPROVE	Heady	DATE	052616



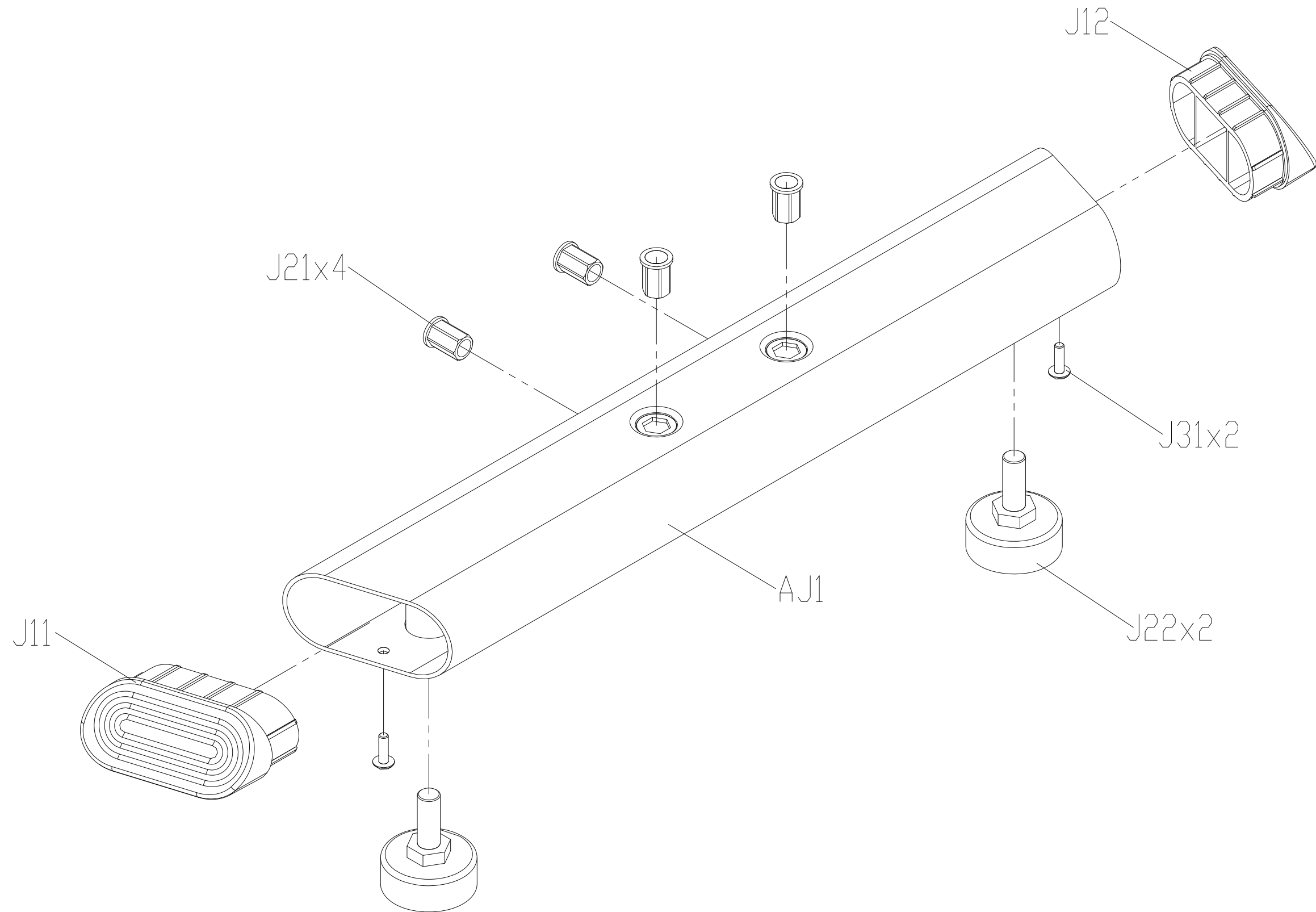
DRAWING NO	AR11-AR10		
PART NAME	Belt pulley set		
PART NO	1000362009 <sup>R</sup> <sub>E</sub> <sub>V</sub> <sub>C</sub>		
APPROVE	Hunter	DATE	100115



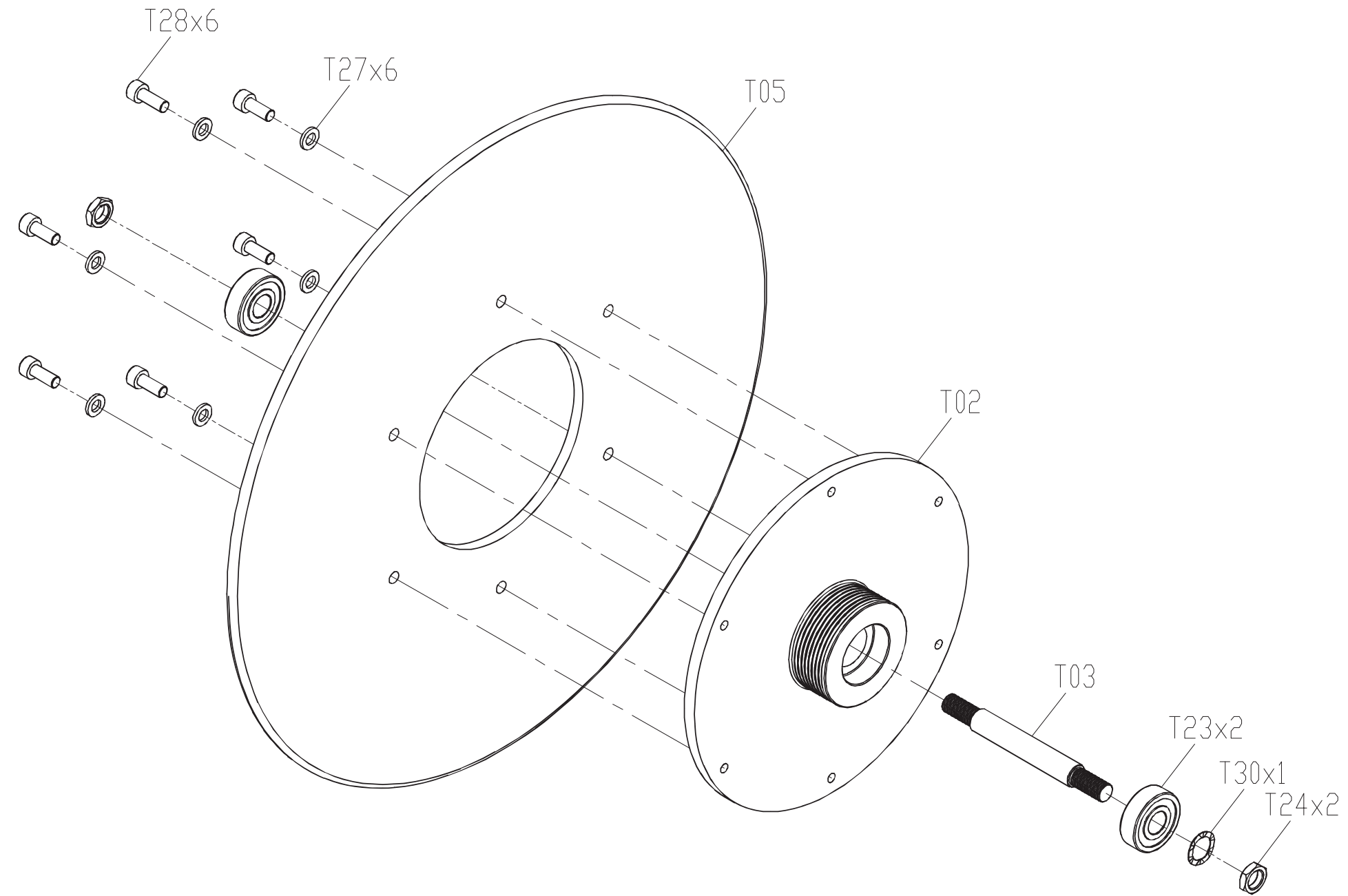
DRAWING NO	AR11-AR4		
PART NAME	Spiral Spring Set		
PART NO	1000362015 <sup>REV</sup> B		
APPROVE	Hunter	DATE	20150519



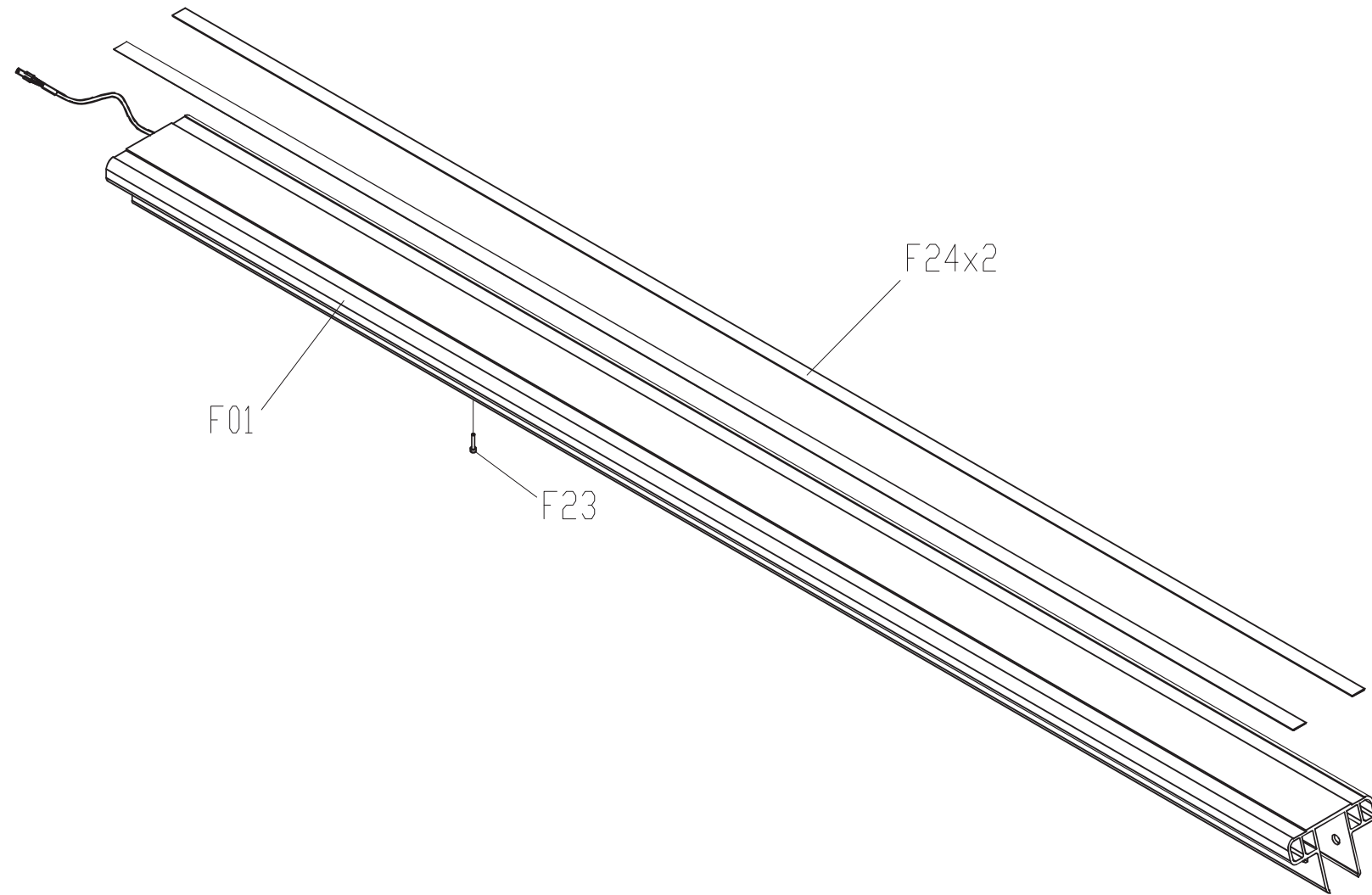
DRAWING NO	AR11-AJ11		
PART NAME	Stabilizer Tube Set		
PART NO	1000362292 A		
APPROVE	Hunter	DATE	04082015



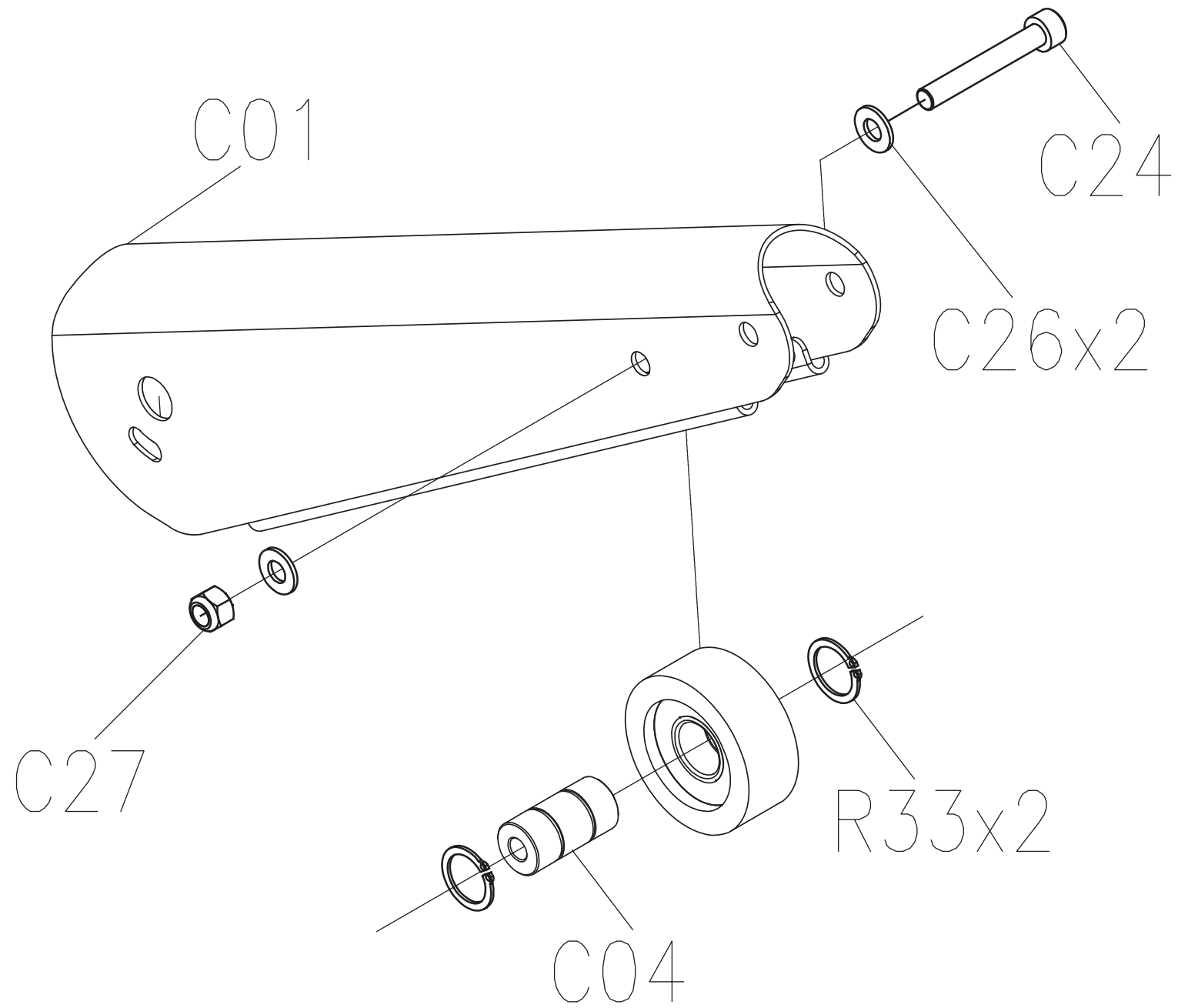
DRAWING NO	AR11-AT15		
PART NAME	Fly Wheel Set		
PART NO	1000362341	REV	C
APPROVE	Hunter	DATE	090115



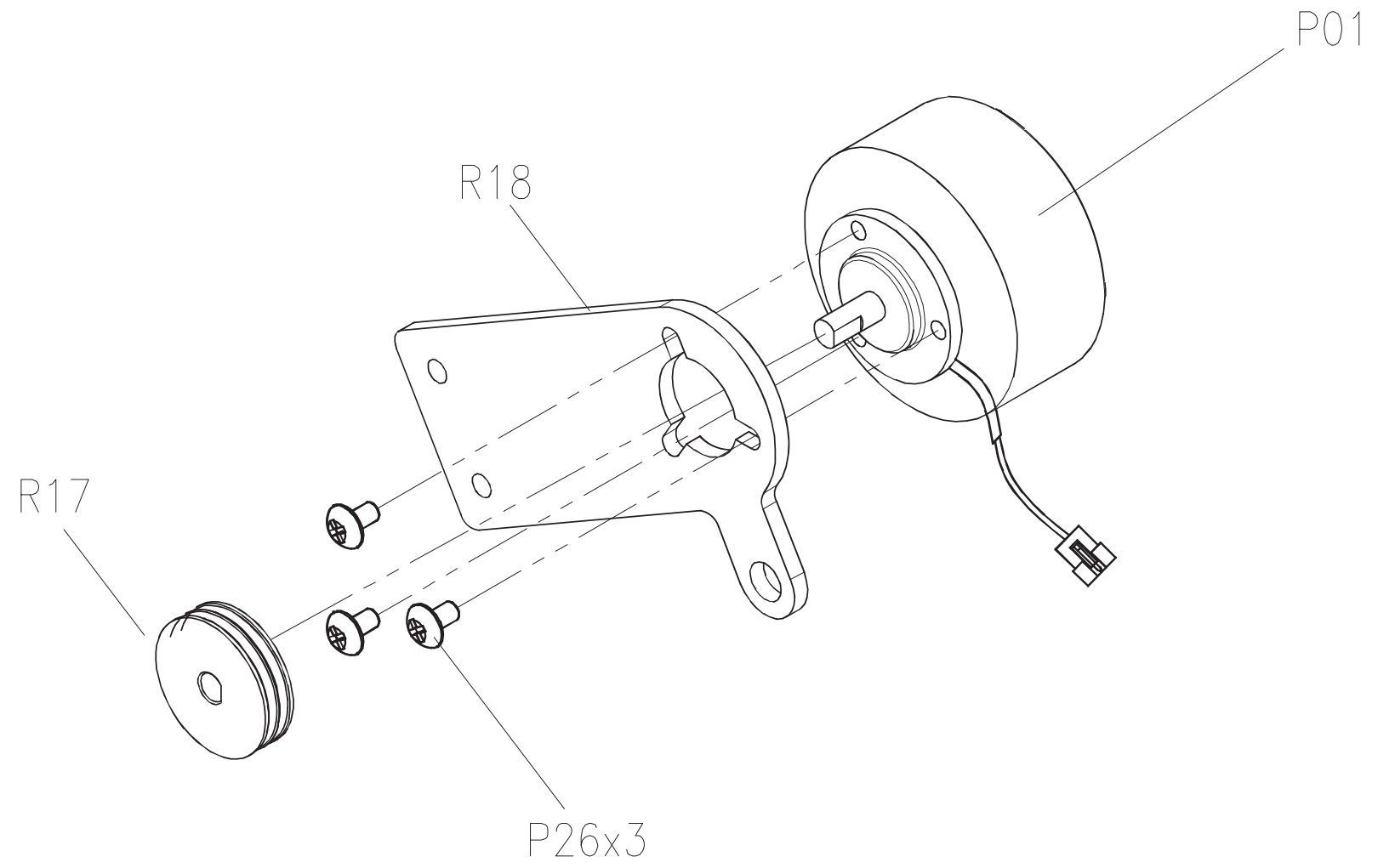
DRAWING NO	AR11-AF12		
PART NAME	Rendering;Slide		
PART NO	1000374500 <small>REV</small> D		
APPROVE	SHUYI	DATE	012216



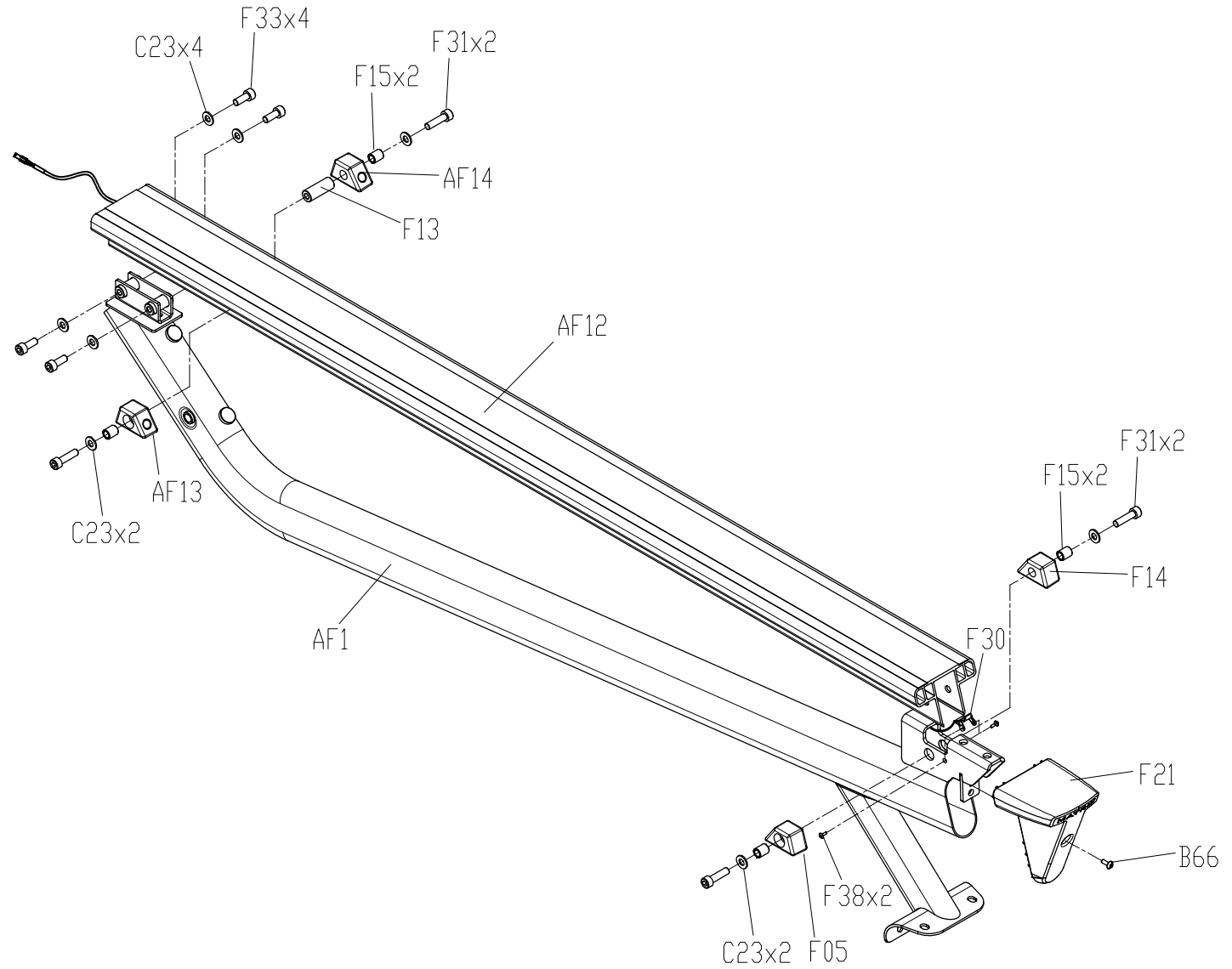
DRAWING NO	AR11-AC10		
PART NAME	Console mast set		
PART NO	1000396392 <sup>R</sup> / <sub>F</sub> B		
APPROVE	Heady	DATE	083116



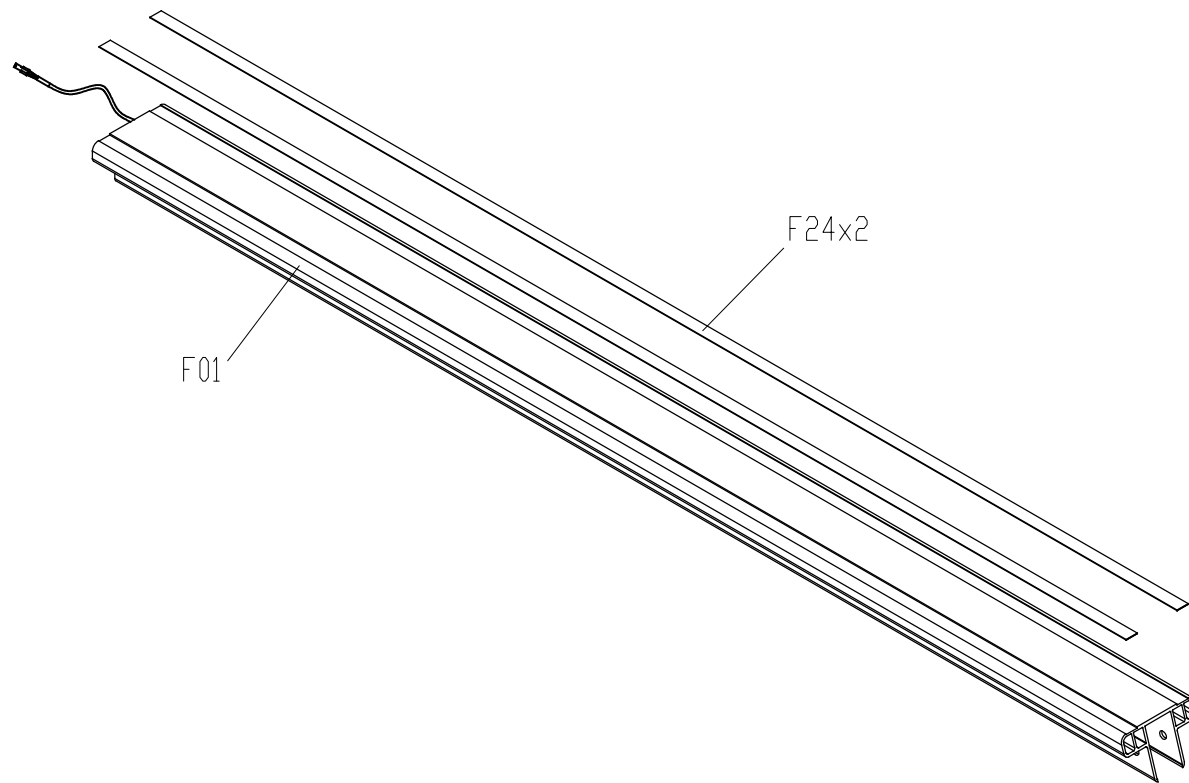
DRAWING NO	AR11-AP10		
PART NAME	Generator Set		
PART NO	1000390441 B		
APPROVE	Hunter	DATE	050416



DRAWING NO	AR11-AF11		
PART NAME	Guide Rail set		
PART NO	1000353815		
APPROVE	CASTIEL	DATE	091117



DRAWING NO	AR11-AF12		
PART NAME	Rendering;Slide		
PART NO	1000374500 RE		
APPROVE	CASTIEL	DATE	091117



DRAWING NO	AR11-AD10	
PART NAME	Seat Slide Set	
PART NO	1000362081 E	
APPROVE	CASTIEL	DATE 091117

