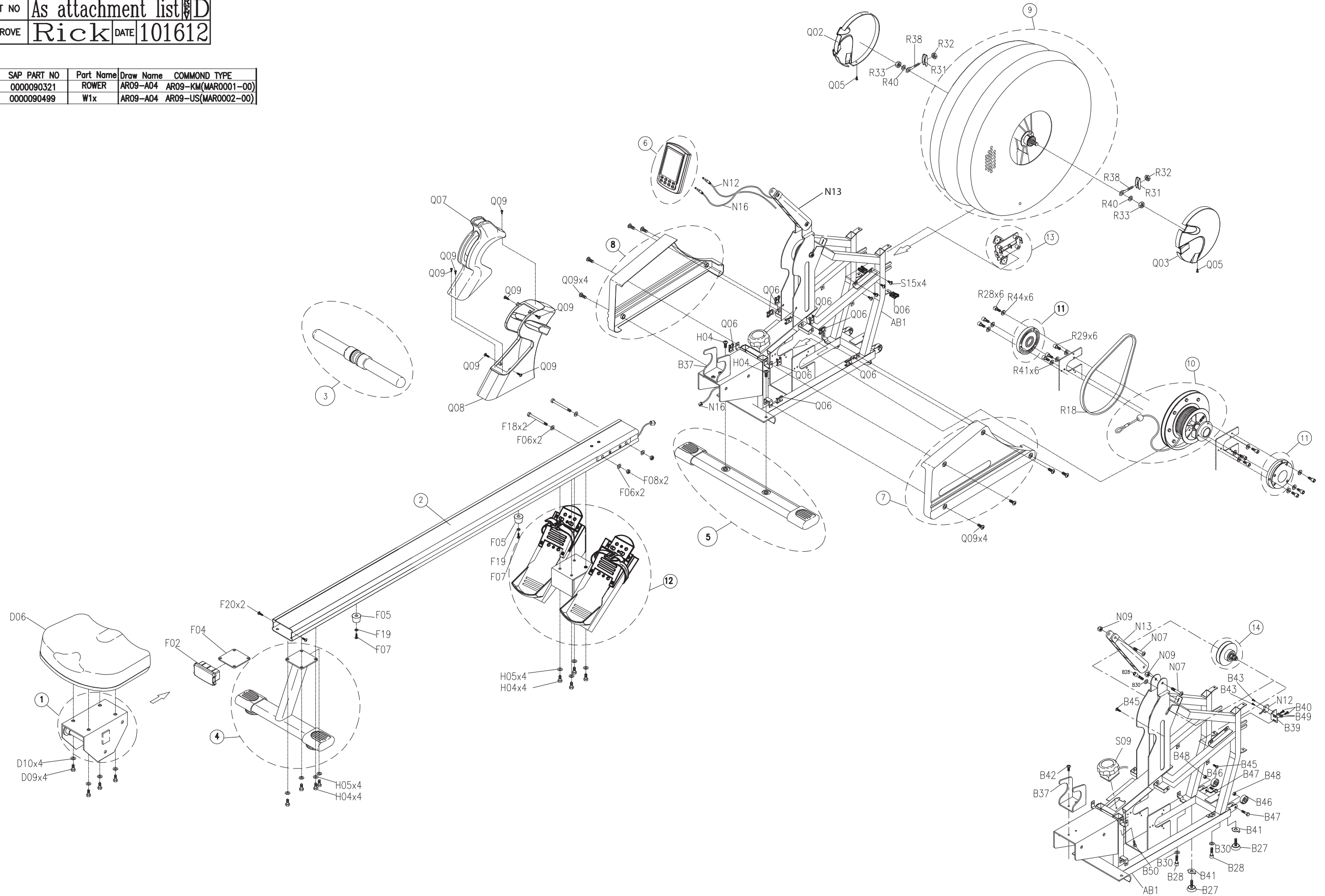
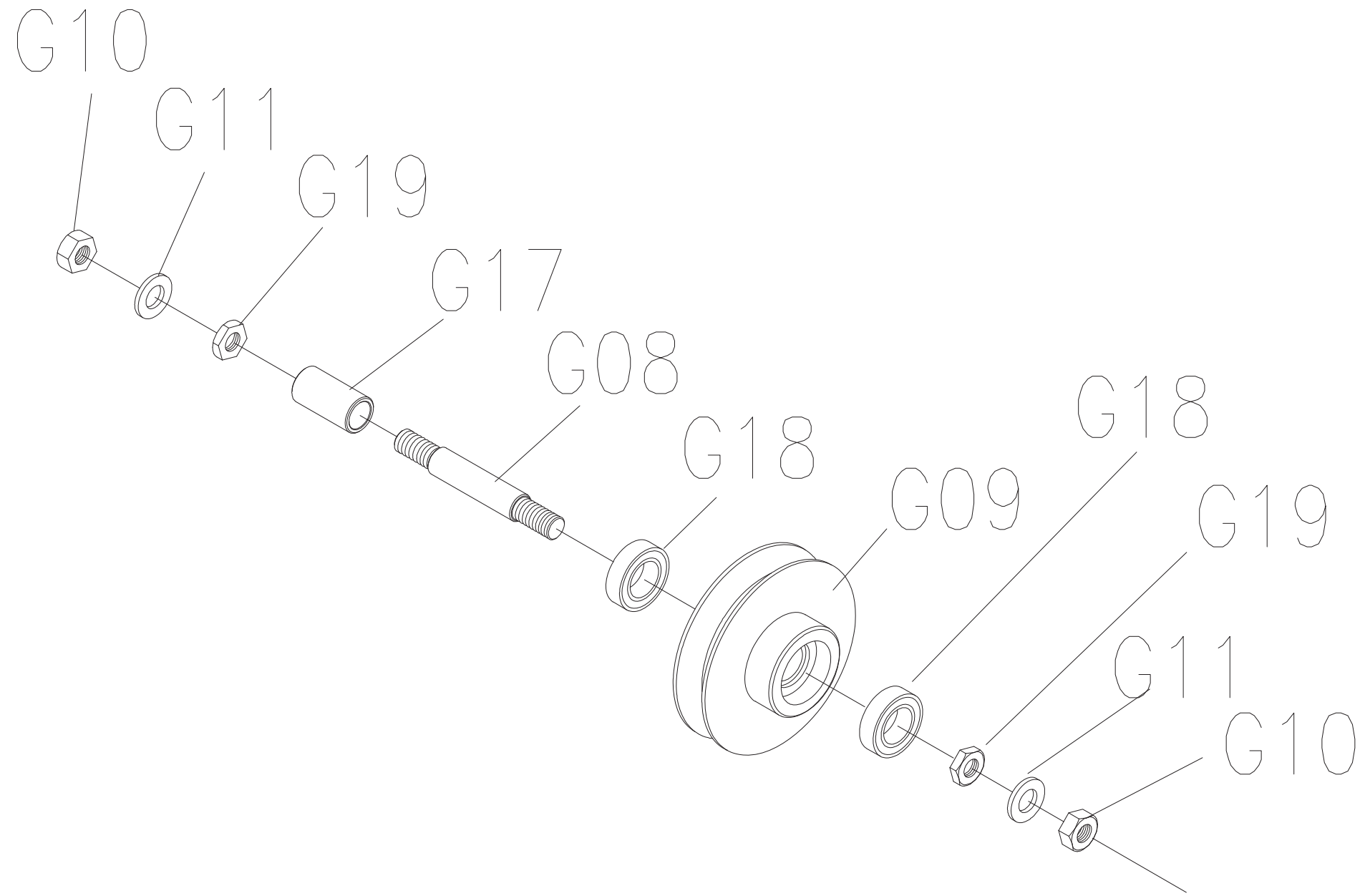


DRAWING NO	As attachment list		
PART NAME	Explosive Drawing		
PART NO	As attachment list		
APPROVE	Rick	DATE	101612

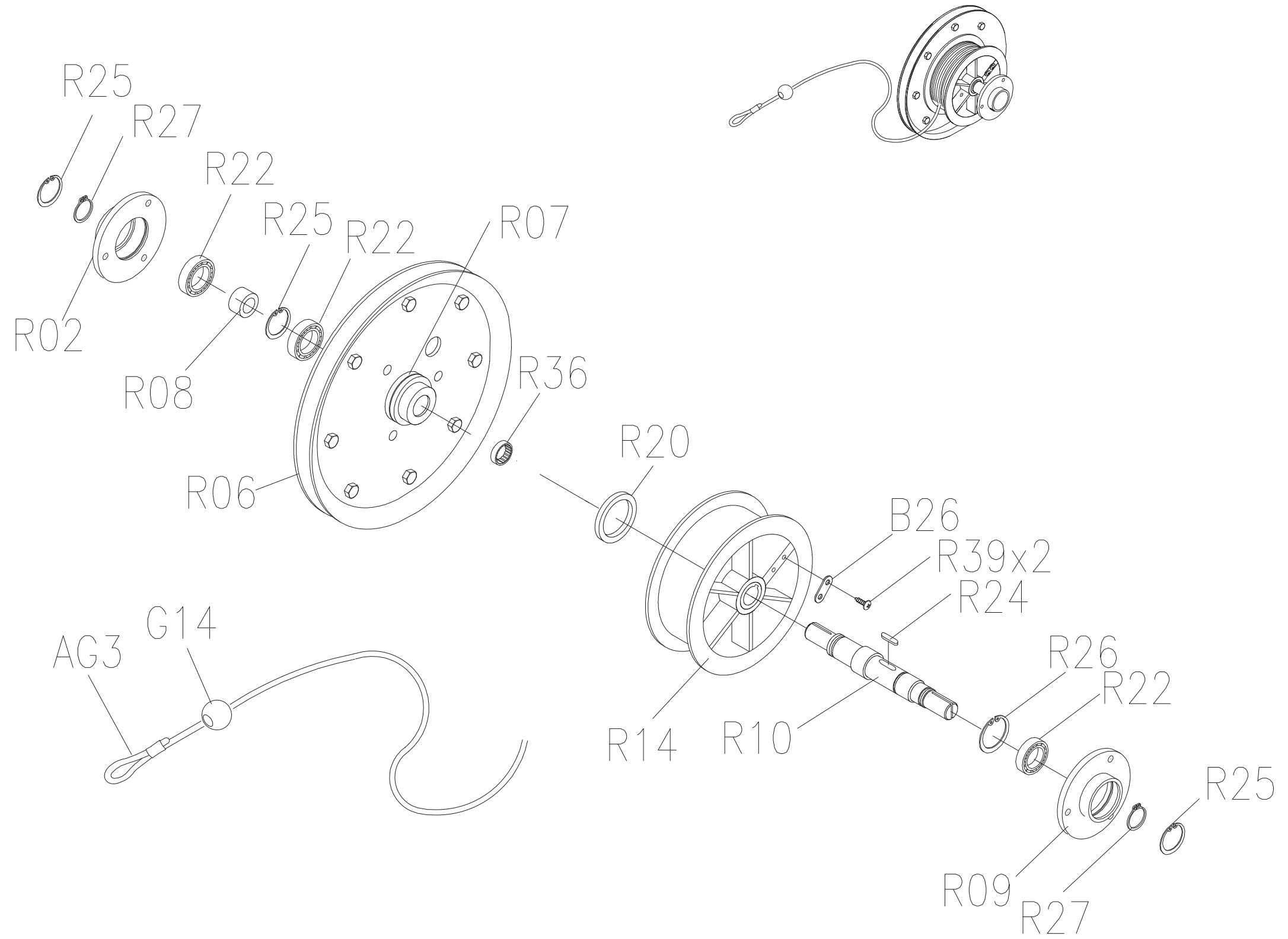
SAP PART NO	Part Name	Draw Name	COMMOND TYPE
0000090321	ROWER	AR09-A04	AR09-KM(MAR0001-00)
0000090499	W1x	AR09-A04	AR09-US(MAR0002-00)



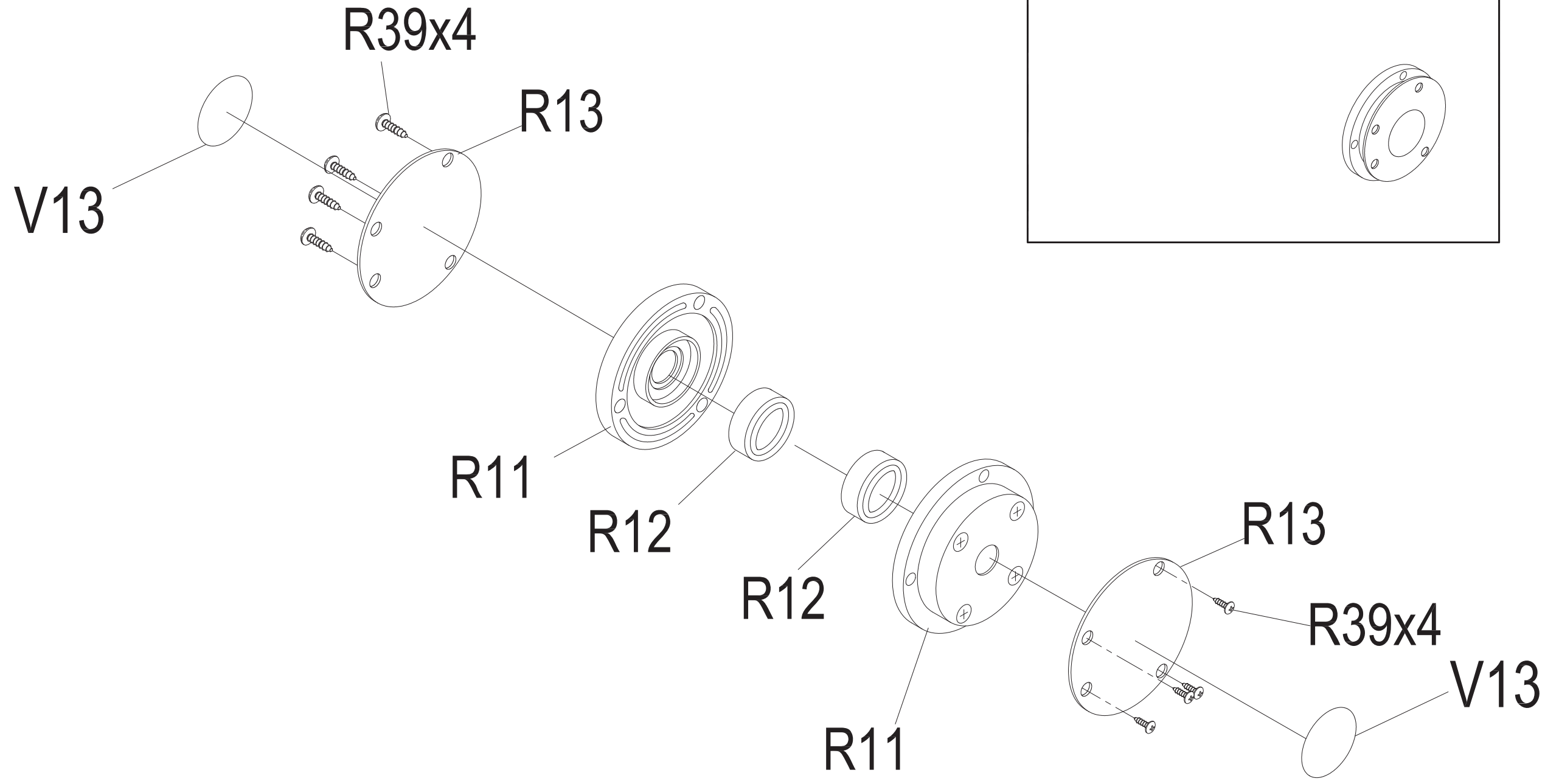
DRAWING NO	AR06-AG2A
PART NAME	Rope Spool Set
PART NO	024518-001C
APPROVE	vickyeh
DATE	2011.02.08



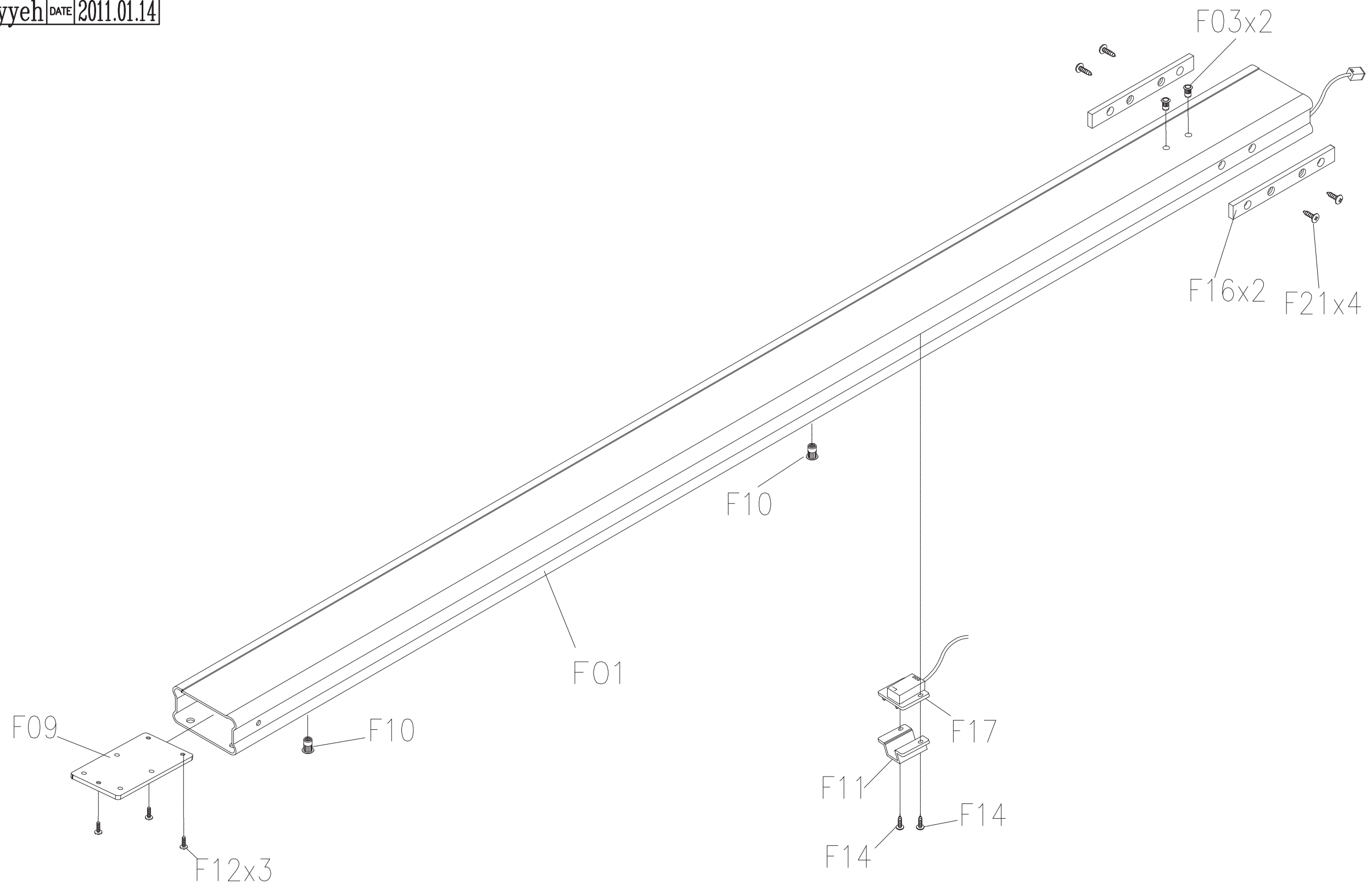
DRAWING NO	AR06D-AR3		
PART NAME	Pulley Set		
PART NO	0000085736		
APPROVE	vickyeh	DATE	20110111



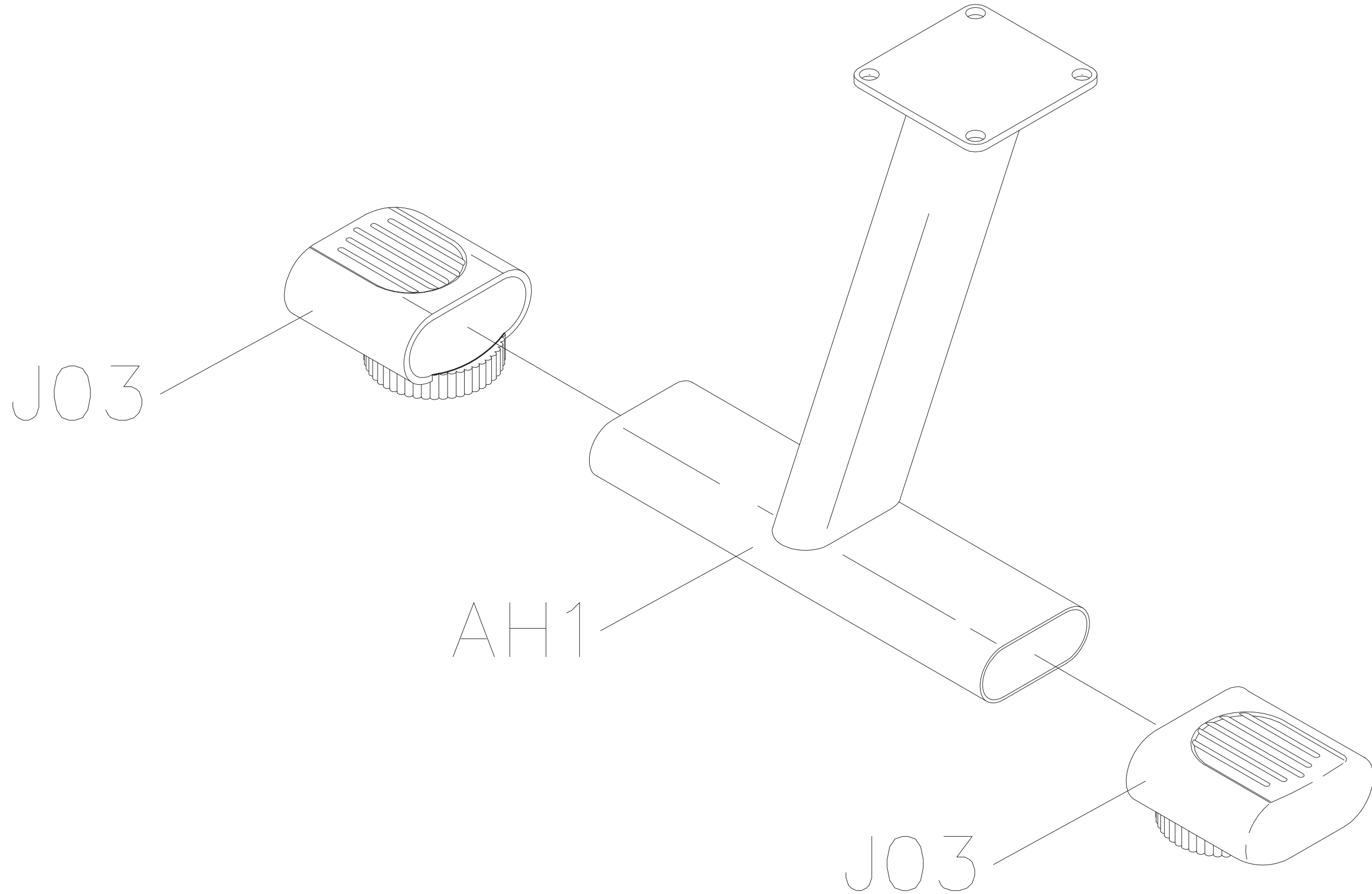
DRAWING NO	AR06D-AR4		
PART NAME	Spiral Spring Set		
PART NO	0000085738	REV	A
APPROVE	Vickyeh	DATE	2011.01.14



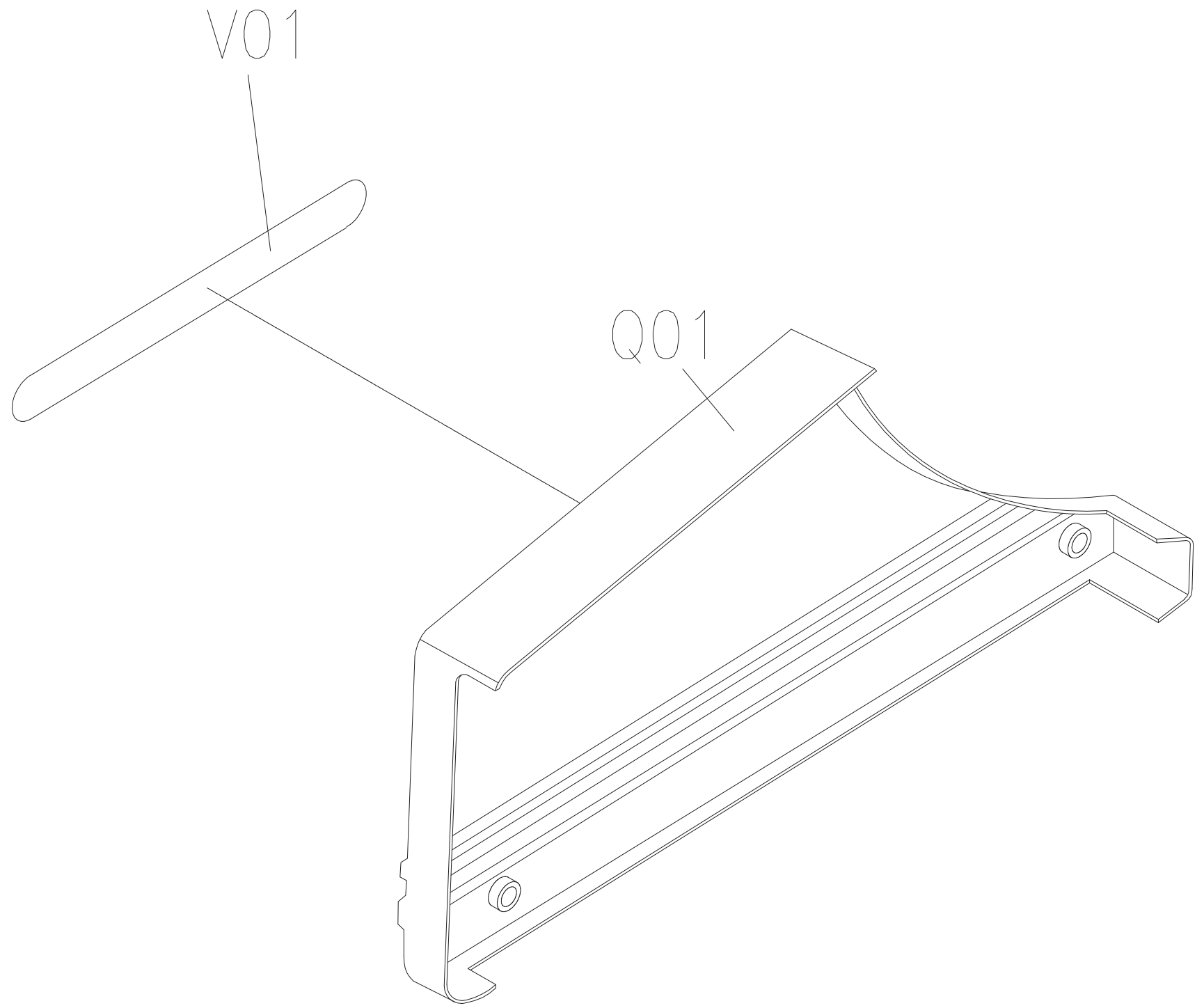
DRAWING NO	AR09-AF1		
PART NAME	Rail Set		
PART NO	0000090328B		
APPROVE	vickyeh	DATE	2011.01.14



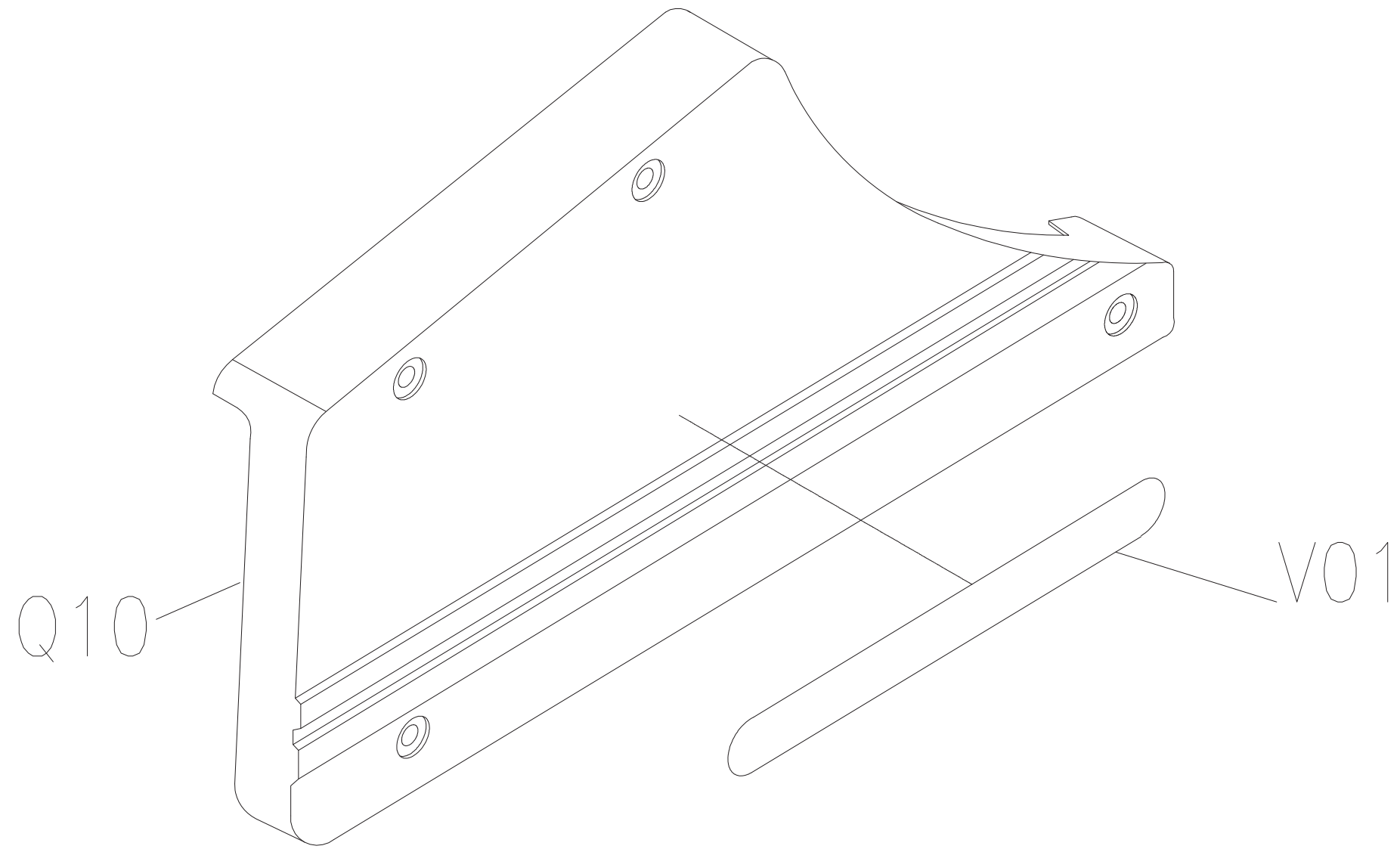
DRAWING NO	AR09-AH2		
PART NAME	Rear Rack Set		
PART NO	0000090331 B		
APPROVE	vickyeh	DATE	20110111



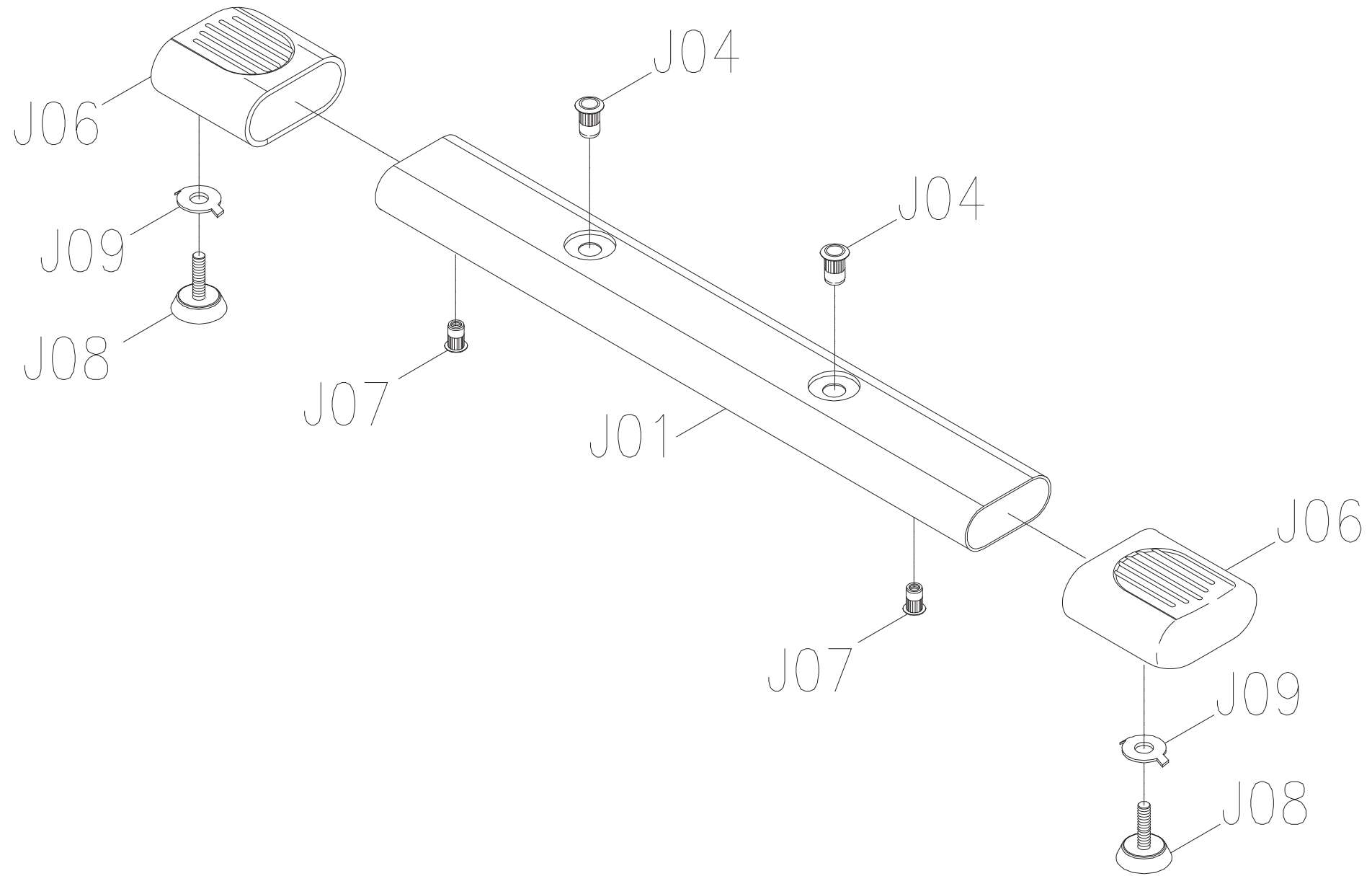
DRAWING NO	AR09-AQ1		
PART NAME	Cover Set;Frame;L		
PART NO	0000090342 B		
APPROVE	vickyeh	DATE	2011.01.14



DRAWING NO	AR09-AQ2		
PART NAME	Cover Set;Frame;R		
PART NO	0000090345 B		
APPROVE	vickyeh	DATE	2011.01.14



DRAWING NO	AR09-AJ1
PART NAME	Satabilizer Set
PART NO	0000090369B
APPROVE	vickyeh
DATE	2011.02.01



DRAWING NO	AR09-AD1	
PART NAME	Seat Slide Set	
PART NO	0000090431B	
APPROVE	vickyeh	DATE 2011.01.14

D08x3

D04x3

D03x3

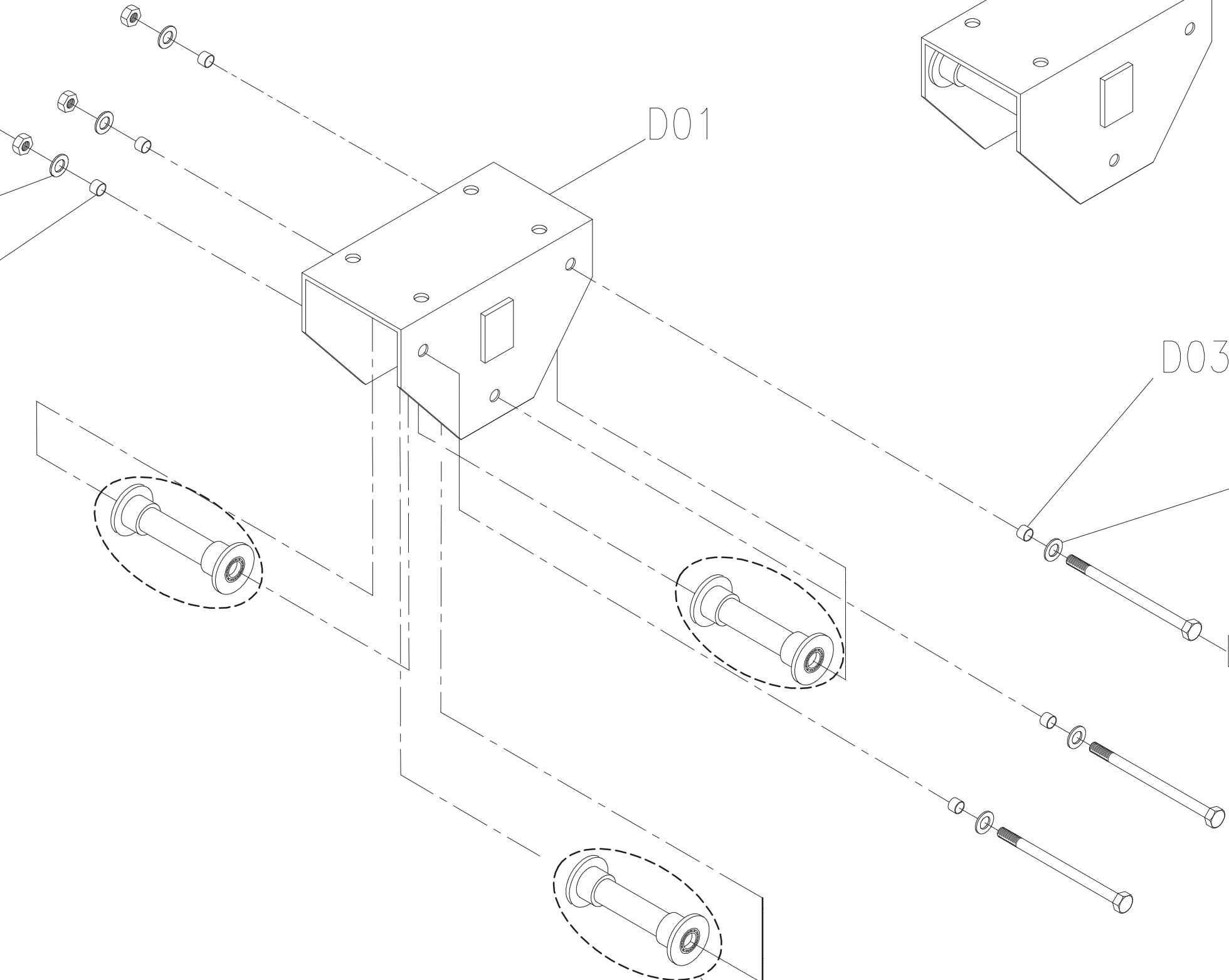
D01

D03x3

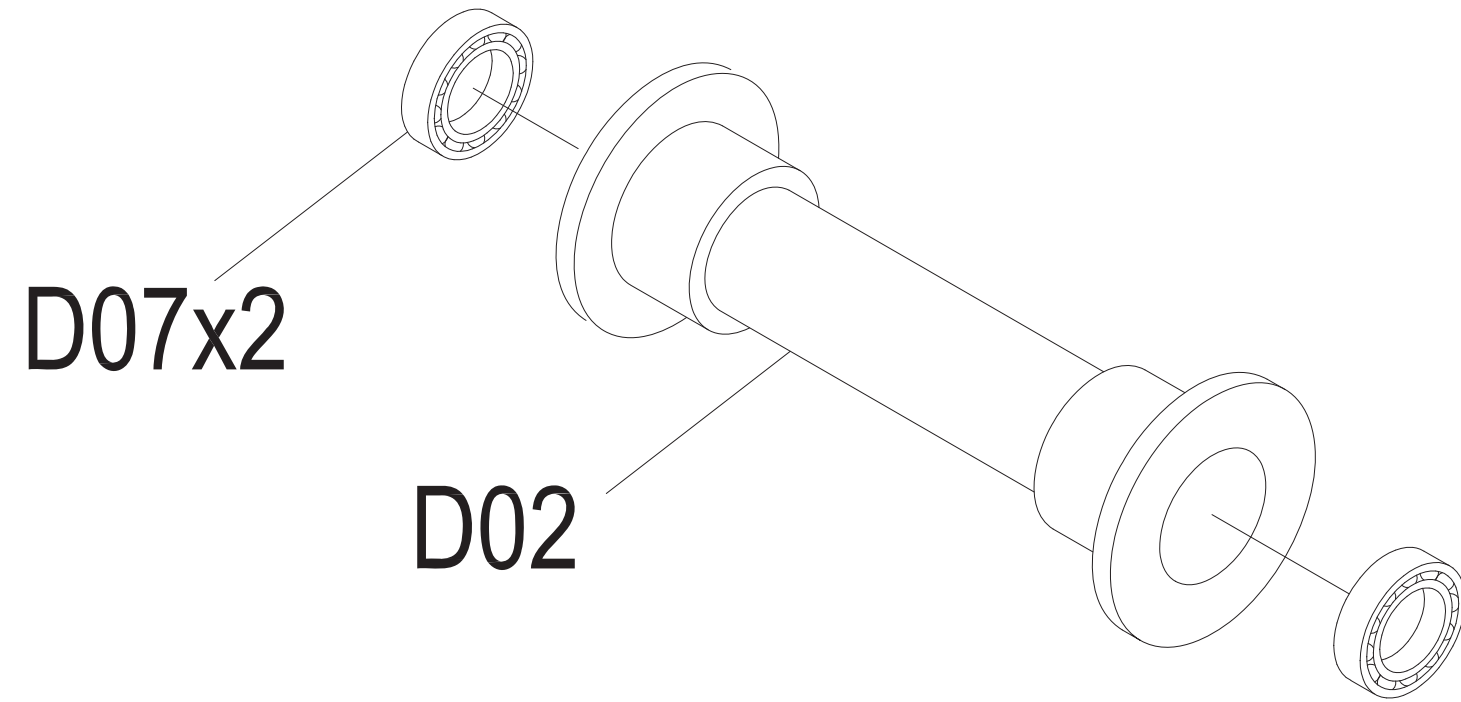
D04x3

D05x3

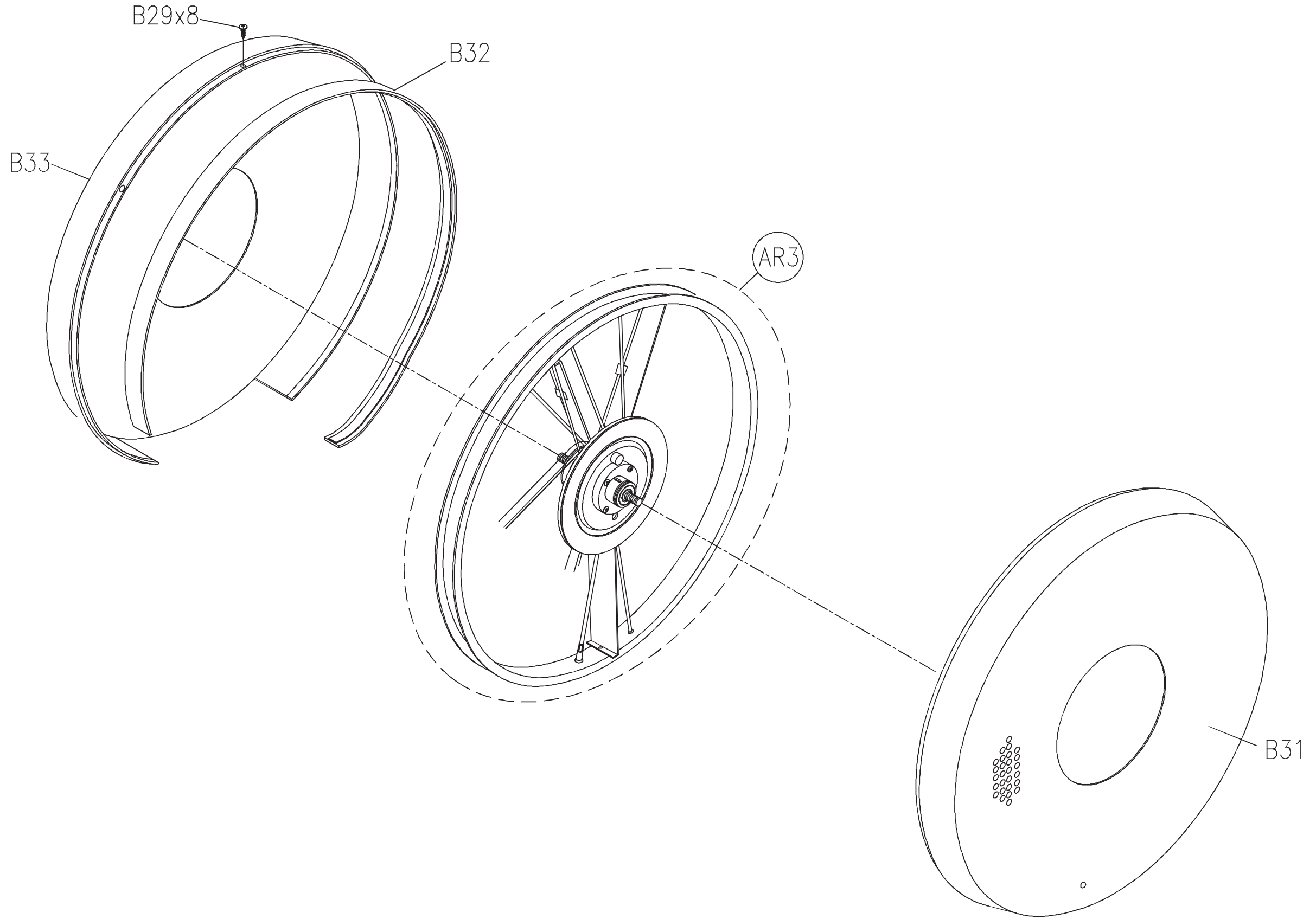
21 x3



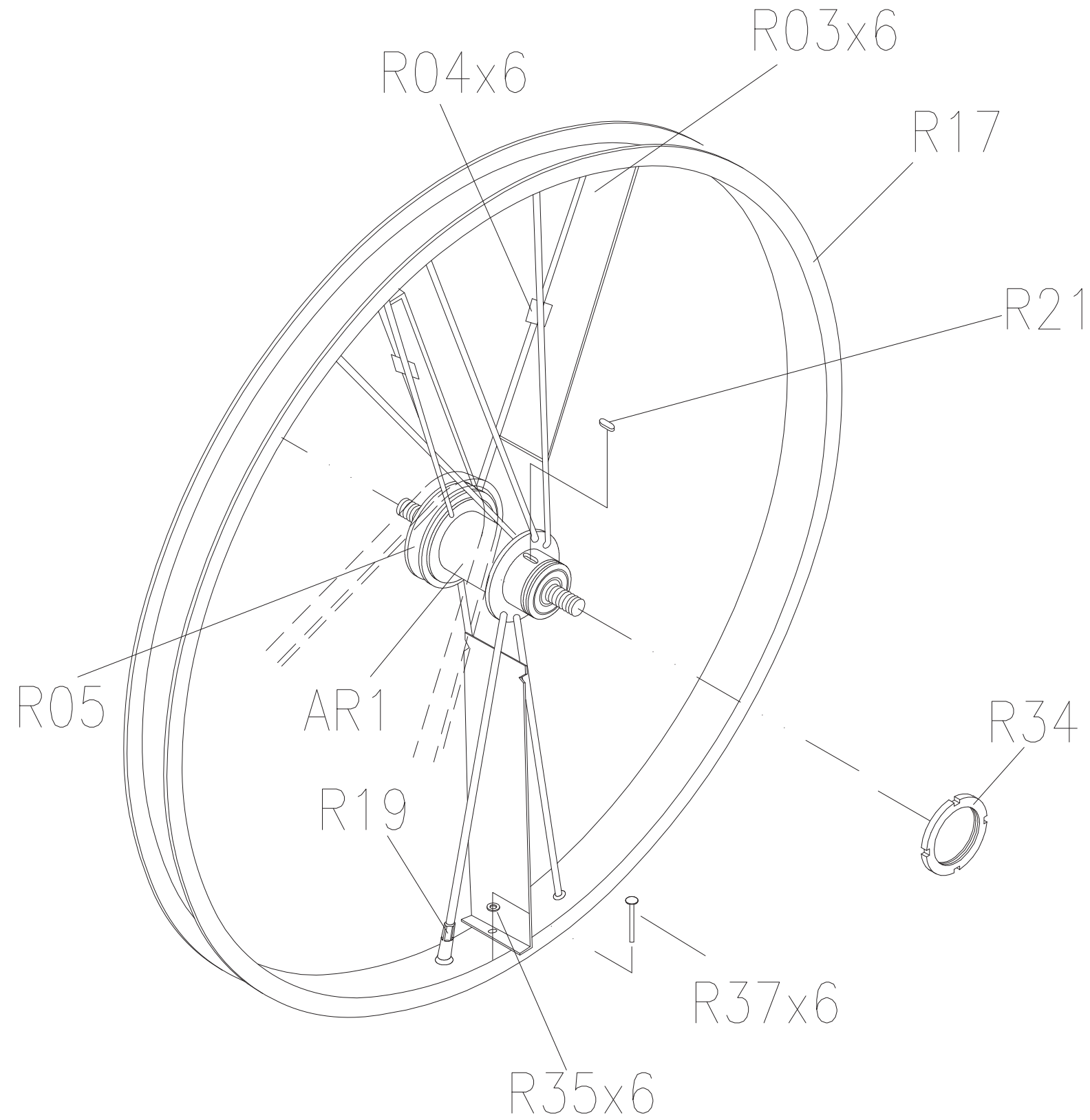
DRAWING NO	AR06E-AD12		
PART NAME	Slipping Base Cylinder Set		
PART NO	0000092317	REV	C
APPROVE	Vicky	DATE	2011.01.11



DRAWING NO	AR09-AR2		
PART NAME	Fan Set		
PART NO	0000090433		
APPROVE	Lewis	DATE	20151126

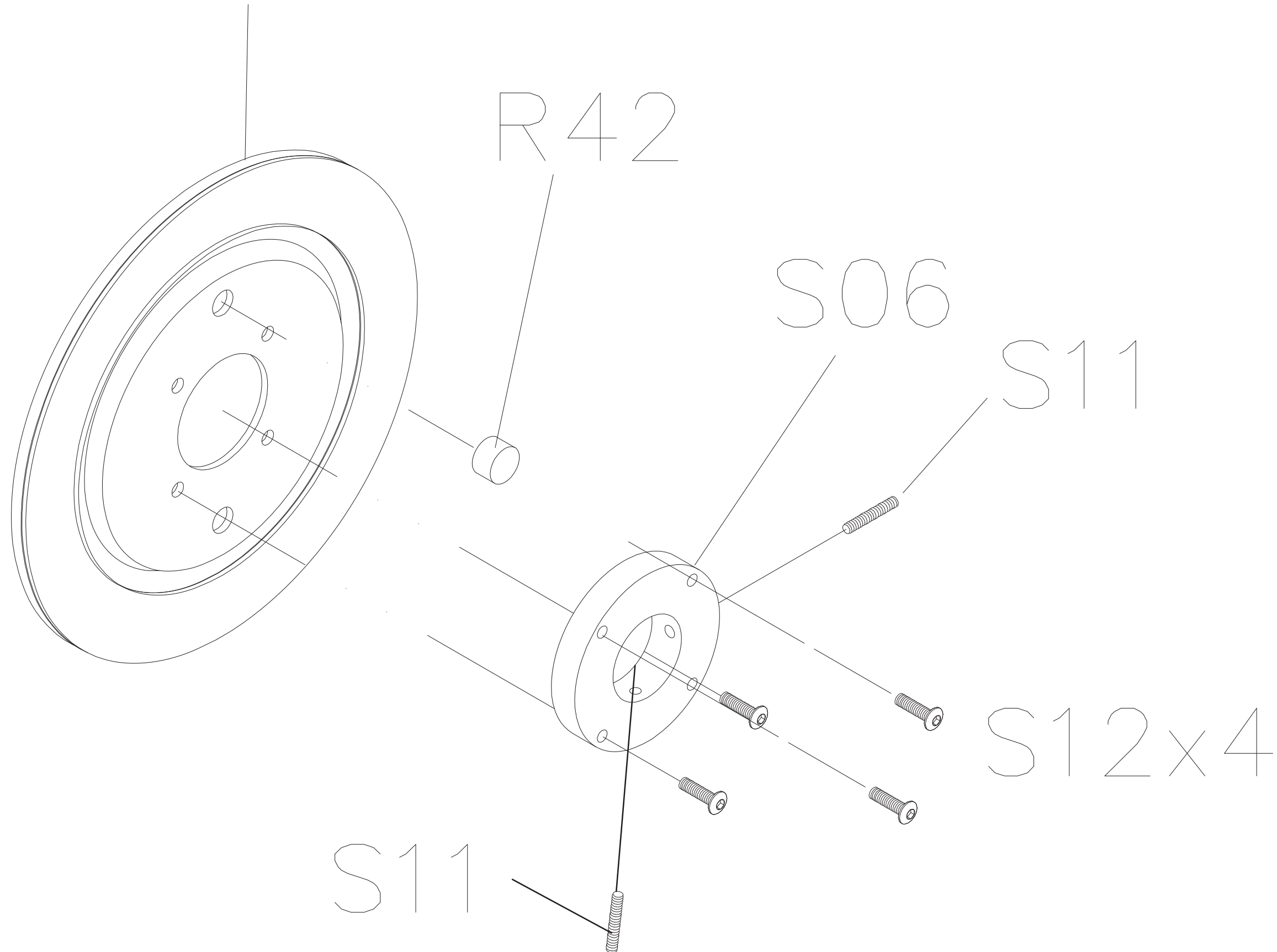


DRAWING NO	AR09-AR11		
PART NAME	Wheel Drum frame Circle set		
PART NO	009775-001D		
APPROVE	S.T.C	DATE	111811



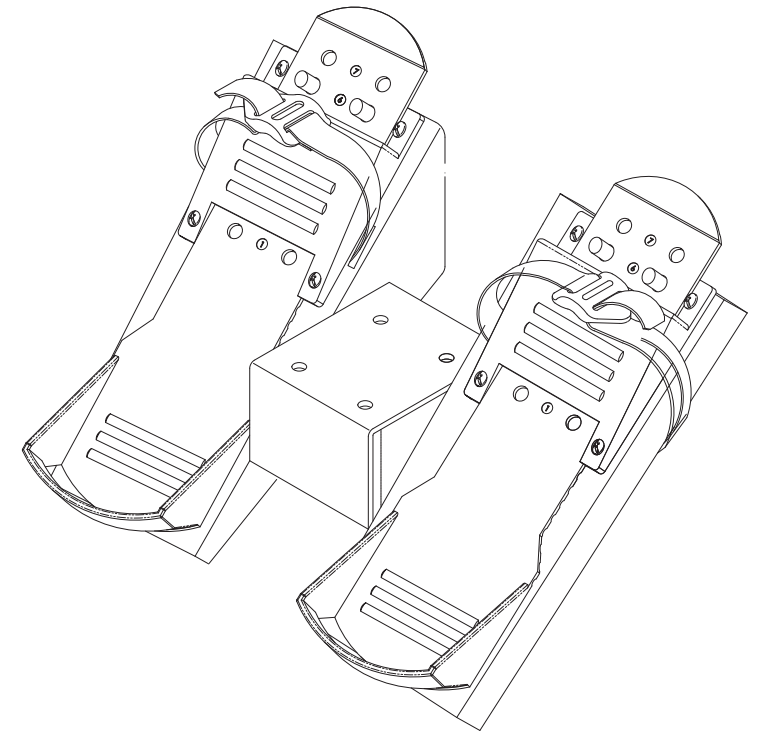
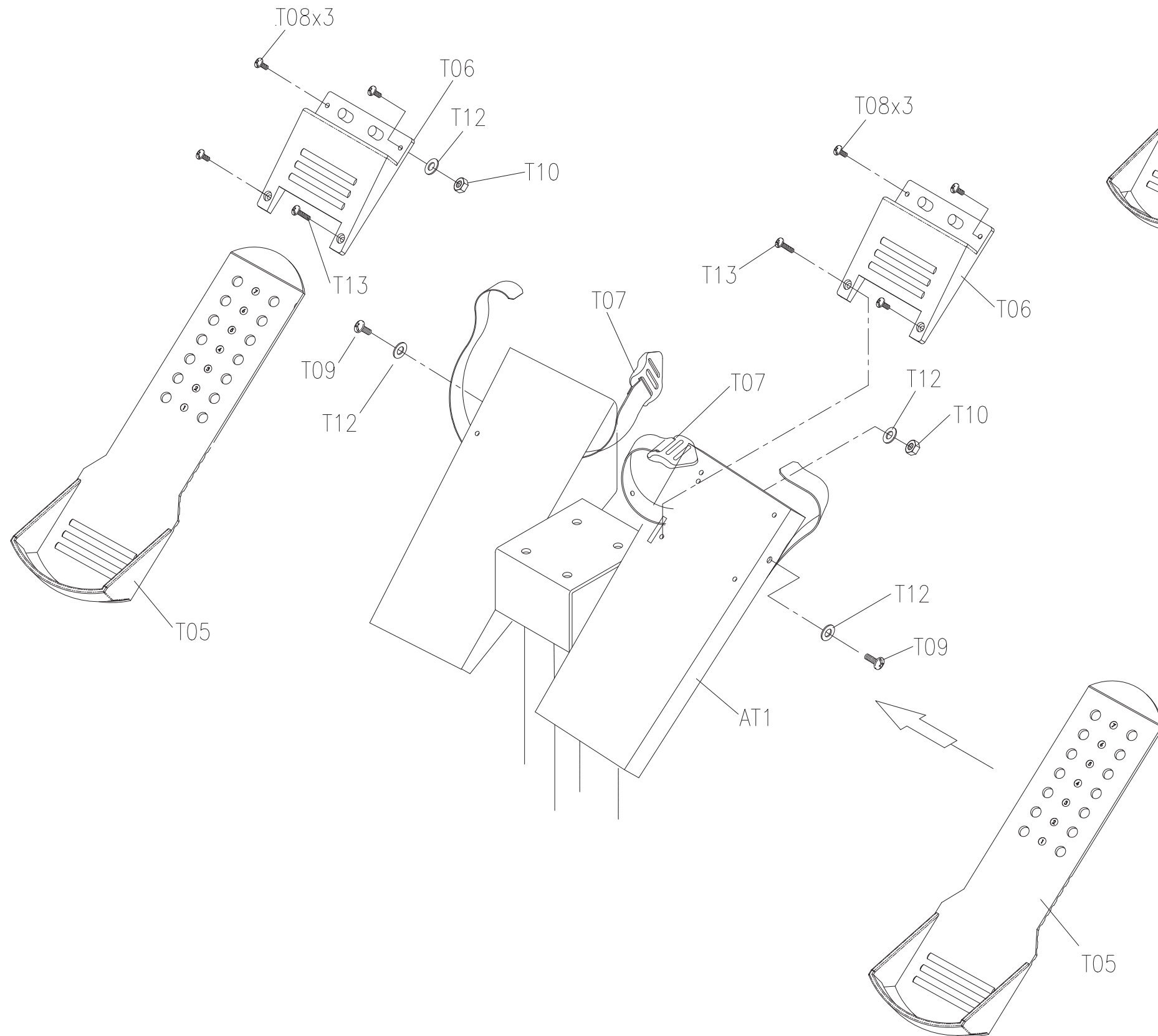
DRAWING NO	AR06E-AS12		
PART NAME	ECB Gauge Set		
PART NO	0000085642 C		
APPROVE	vickyeh	DATE	20110111

AS2



DRAWING NO	AR09-AT2		
PART NAME	Pedal Set		
PART NO	As attachment list V.H		
APPROVE	Rick	DATE	101612

SAP NO.	Model Name	Commond type
0000090434	Rower-01	AR09-KM/US
1000220108	OXFORD IV	AR10-KM/KT



DRAWING NO	AR09-AS3	
PART NAME	ECB Generator Set	
PART NO	0000090435	
APPROVE	vickyeh	DATE 2011.01.14

