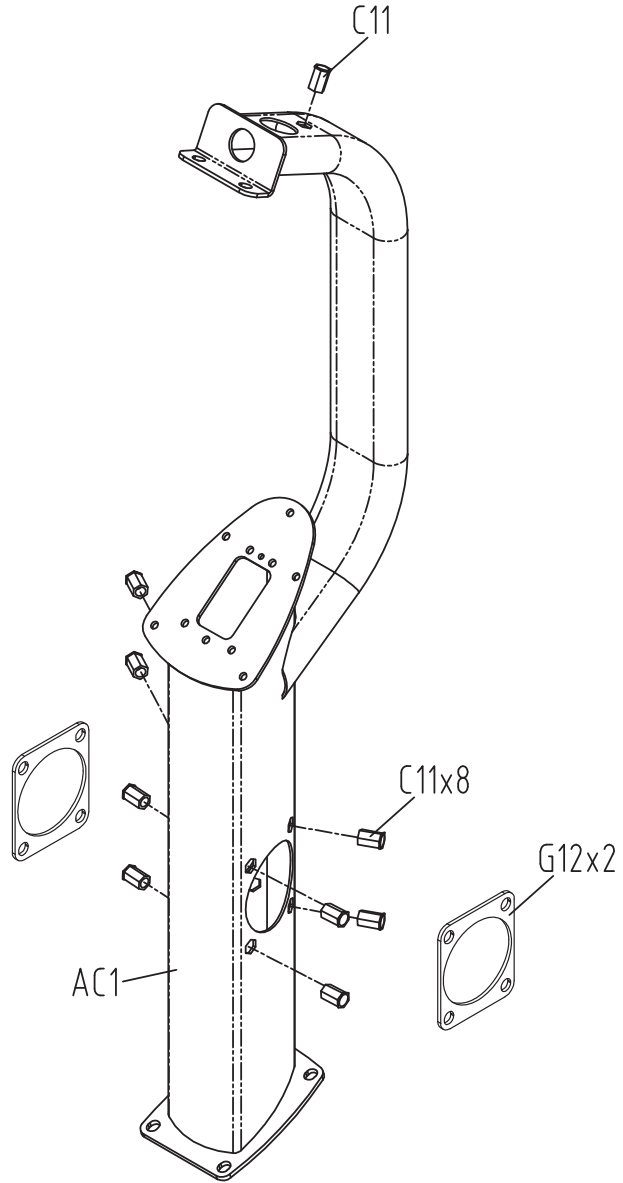
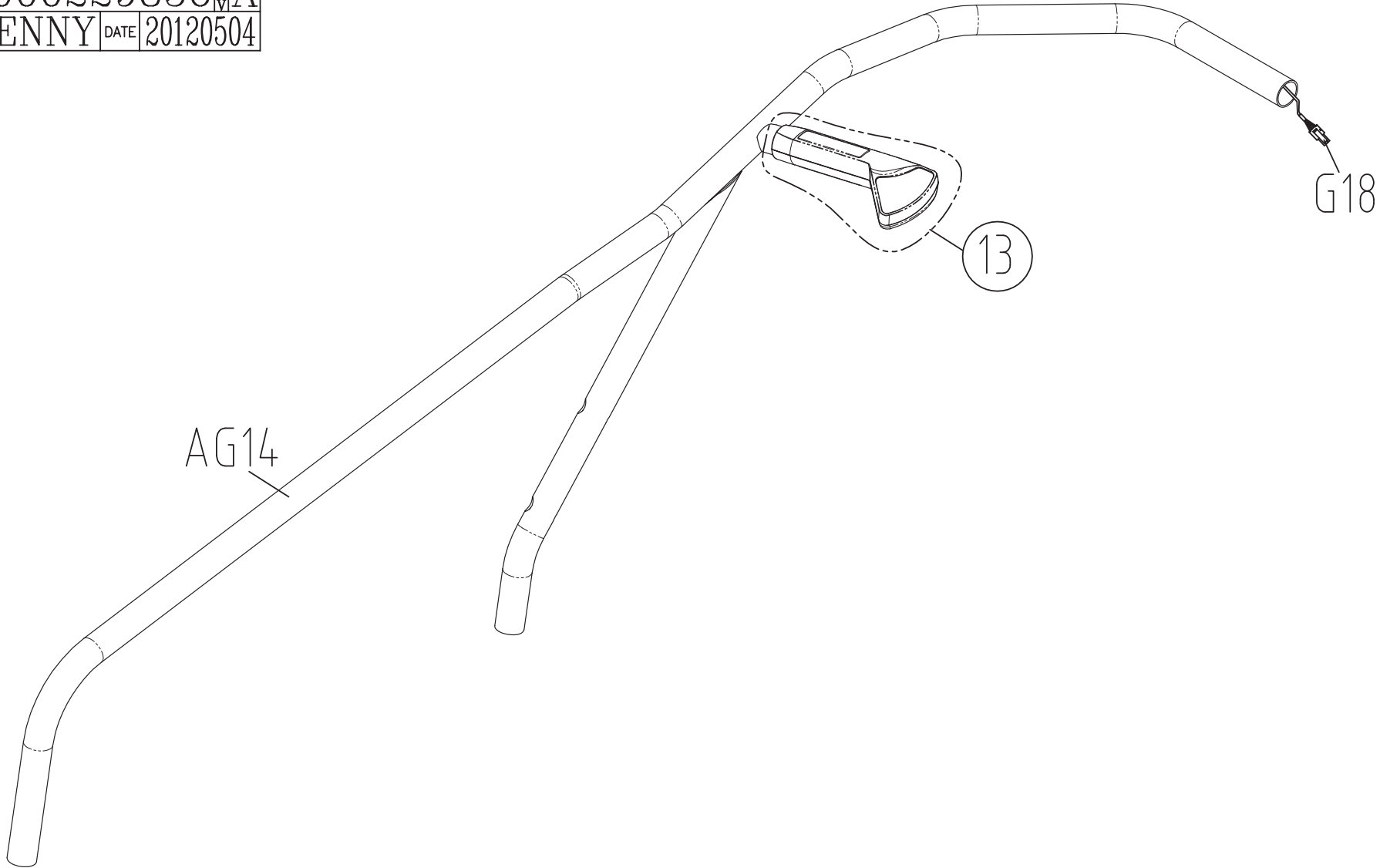


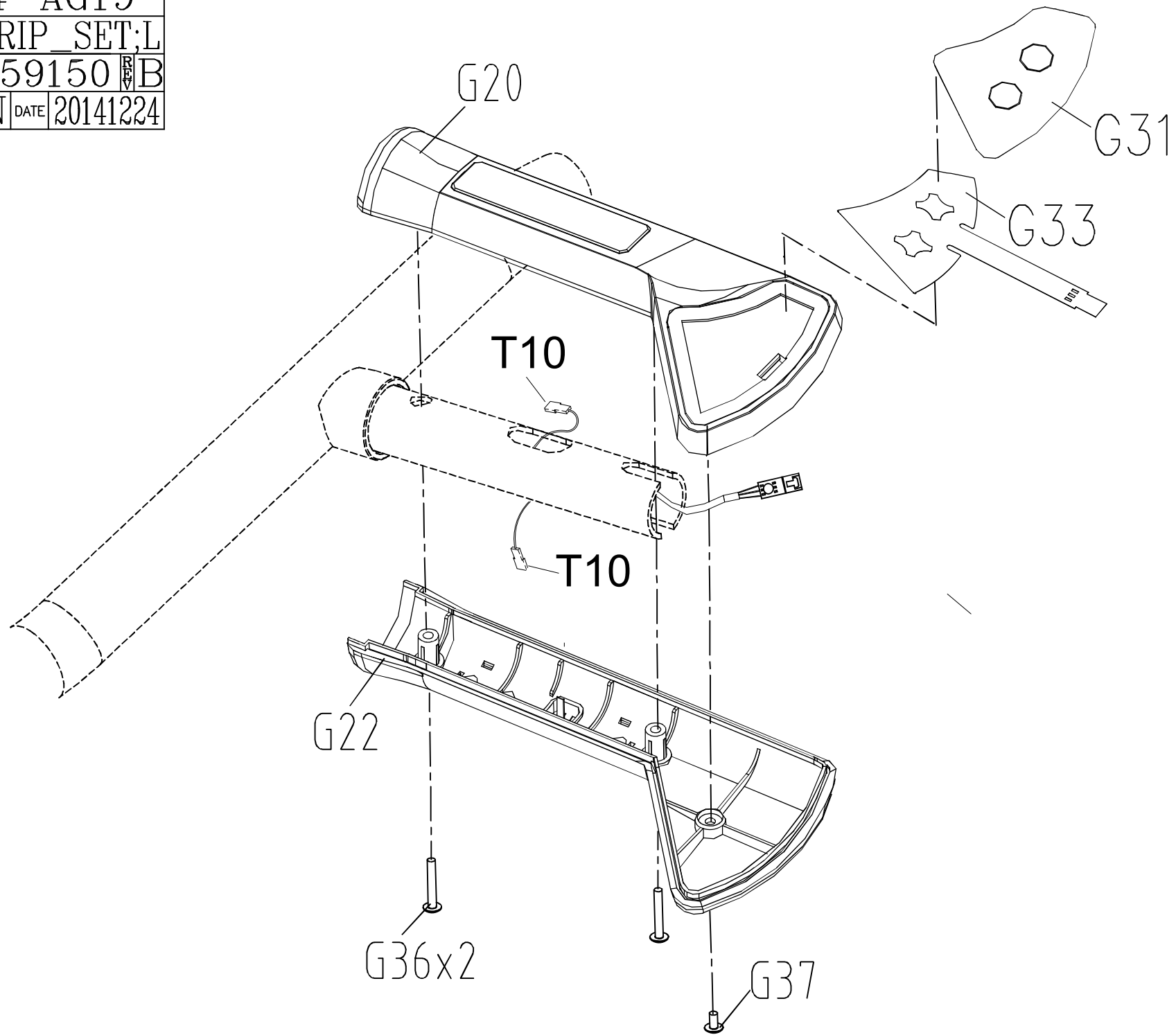
DRAWING NO	CS17-AC11		
PART NAME	CONSOLE_MAST_SET;SA		
PART NO	1000209252	REV	C
APPROVE	HERMES	DATE	20110721



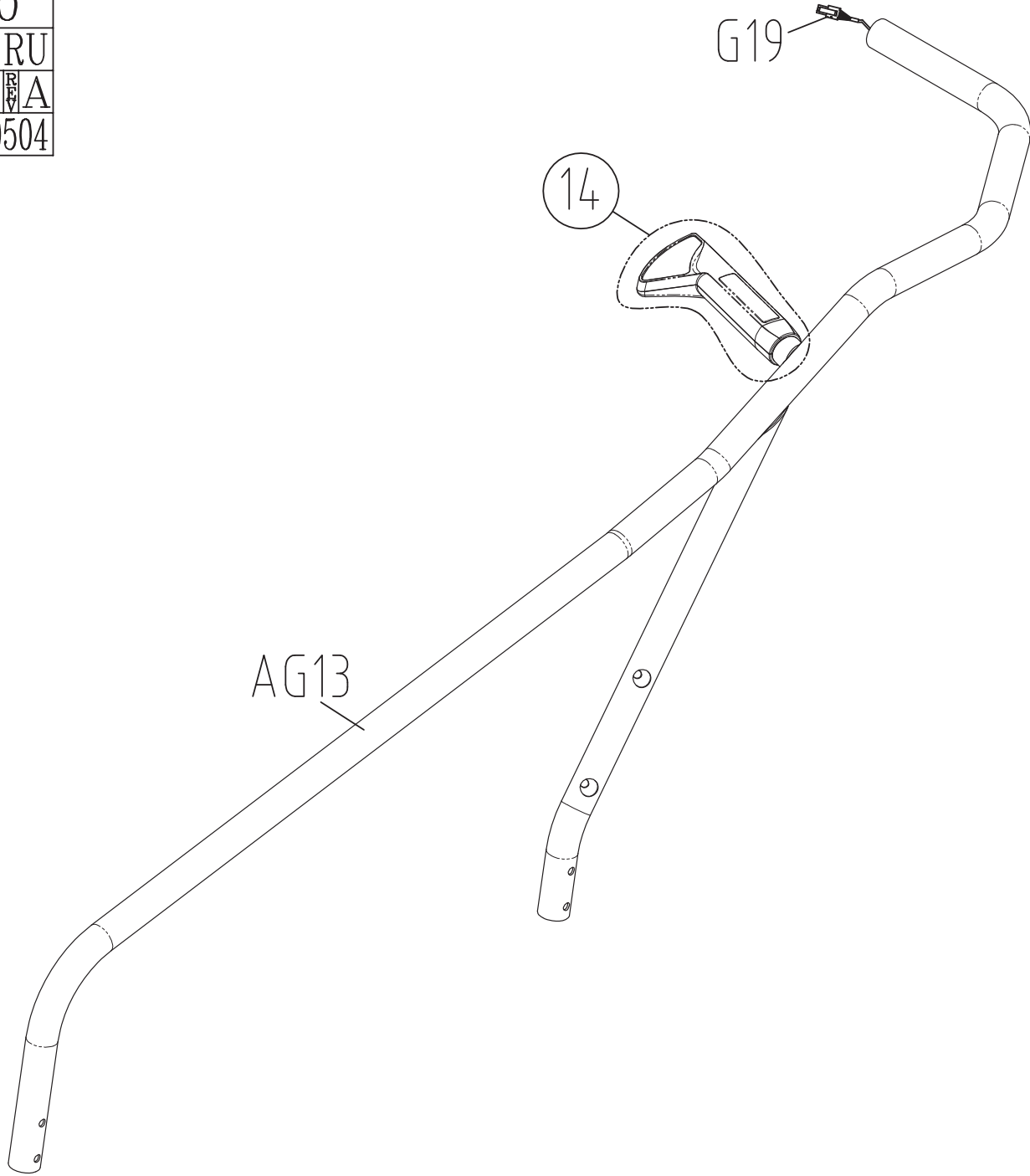
DRAWING NO	CS21-AG18		
PART NAME	ARM REST SET;LU		
PART NO	1000229856	REV	A
APPROVE	KENNY	DATE	20120504



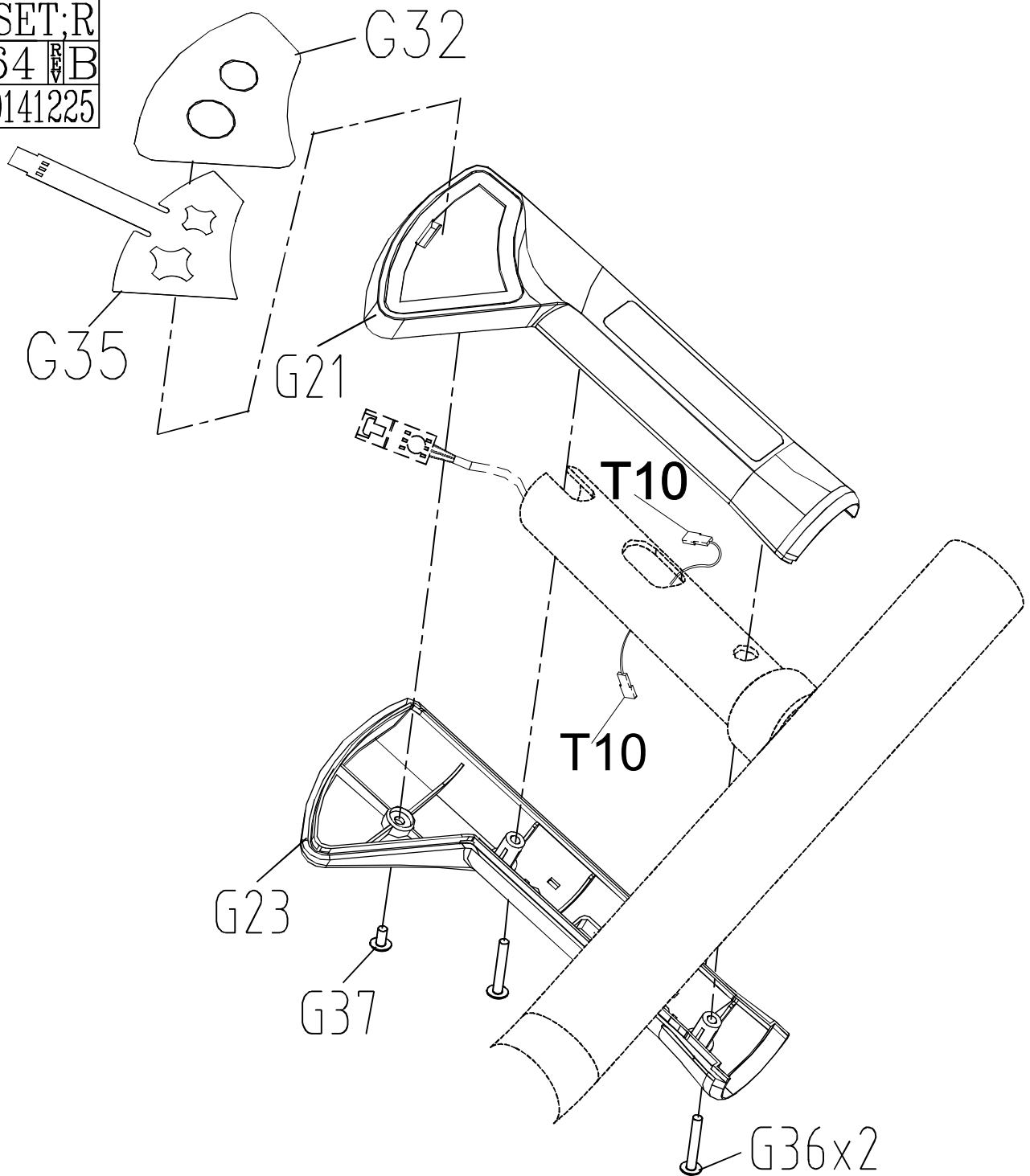
DRAWING NO	CS24-AG19		
PART NAME	HANDGRIP_SET;L		
PART NO	1000359150 B		
APPROVE	EASON	DATE	20141224



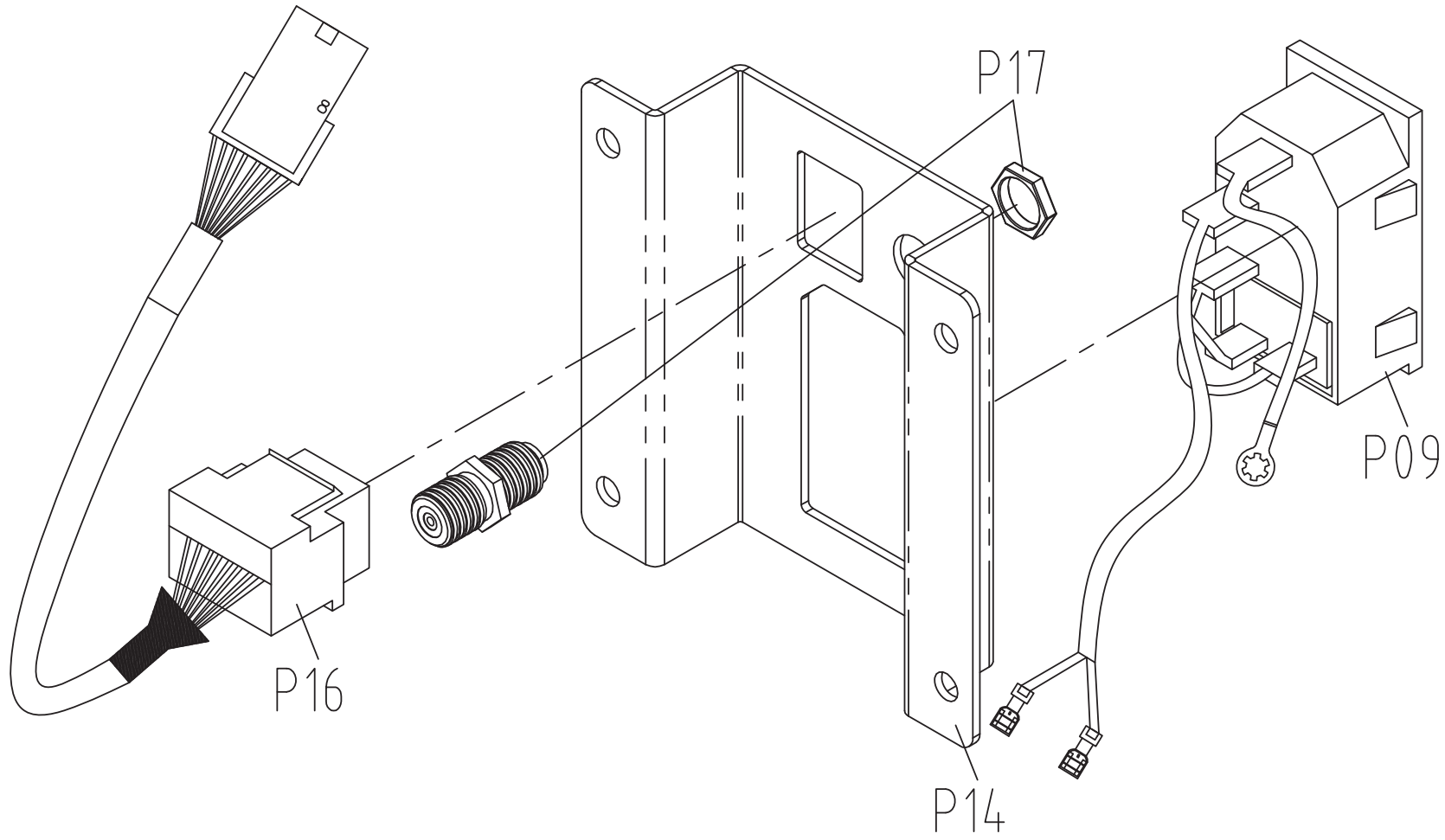
DRAWING NO	CS21-AG20		
PART NAME	ARM REST SET;RU		
PART NO	1000229941R/A		
APPROVE	KENNY	DATE	20120504



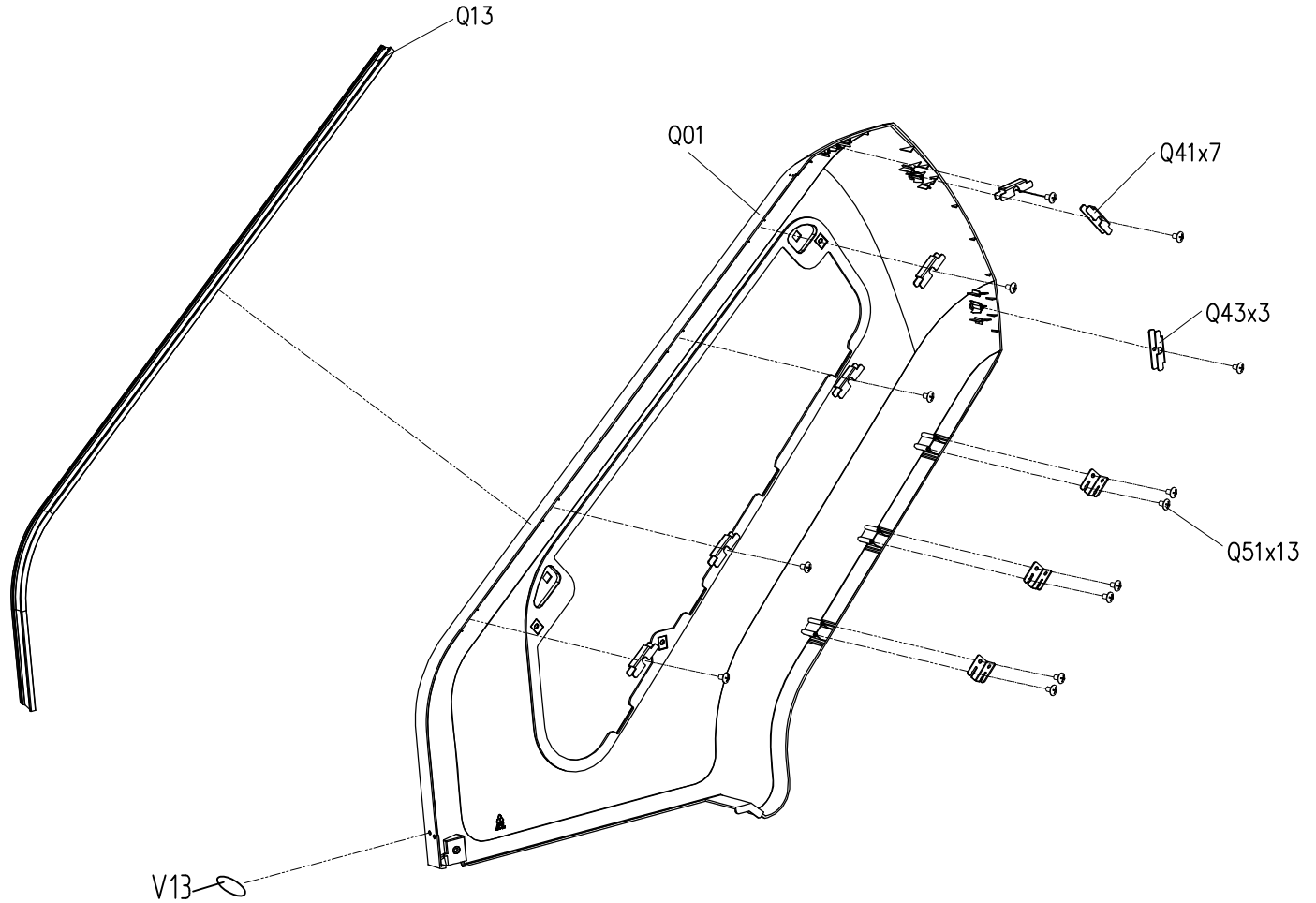
DRAWING NO	CS24-AG21		
PART NAME	HANDGRIP_SET;R		
PART NO	1000359164		B
APPROVE	EASON	DATE	20141225



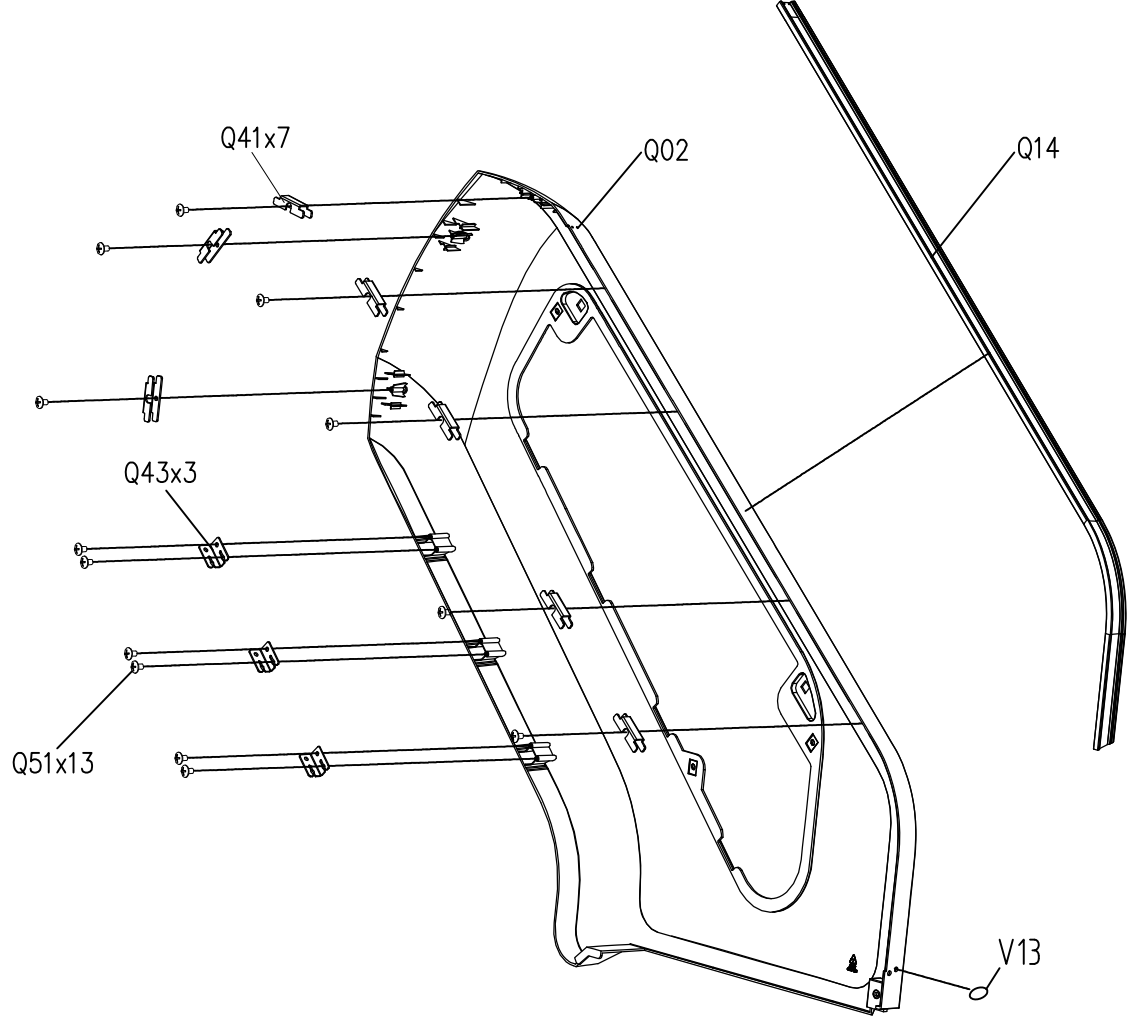
DRAWING NO	CS17-AP15		
PART NAME	E-PORT_FIX_PLATE_SET		
PART NO	1000203645		C
APPROVE	HERMES	DATE	20110419



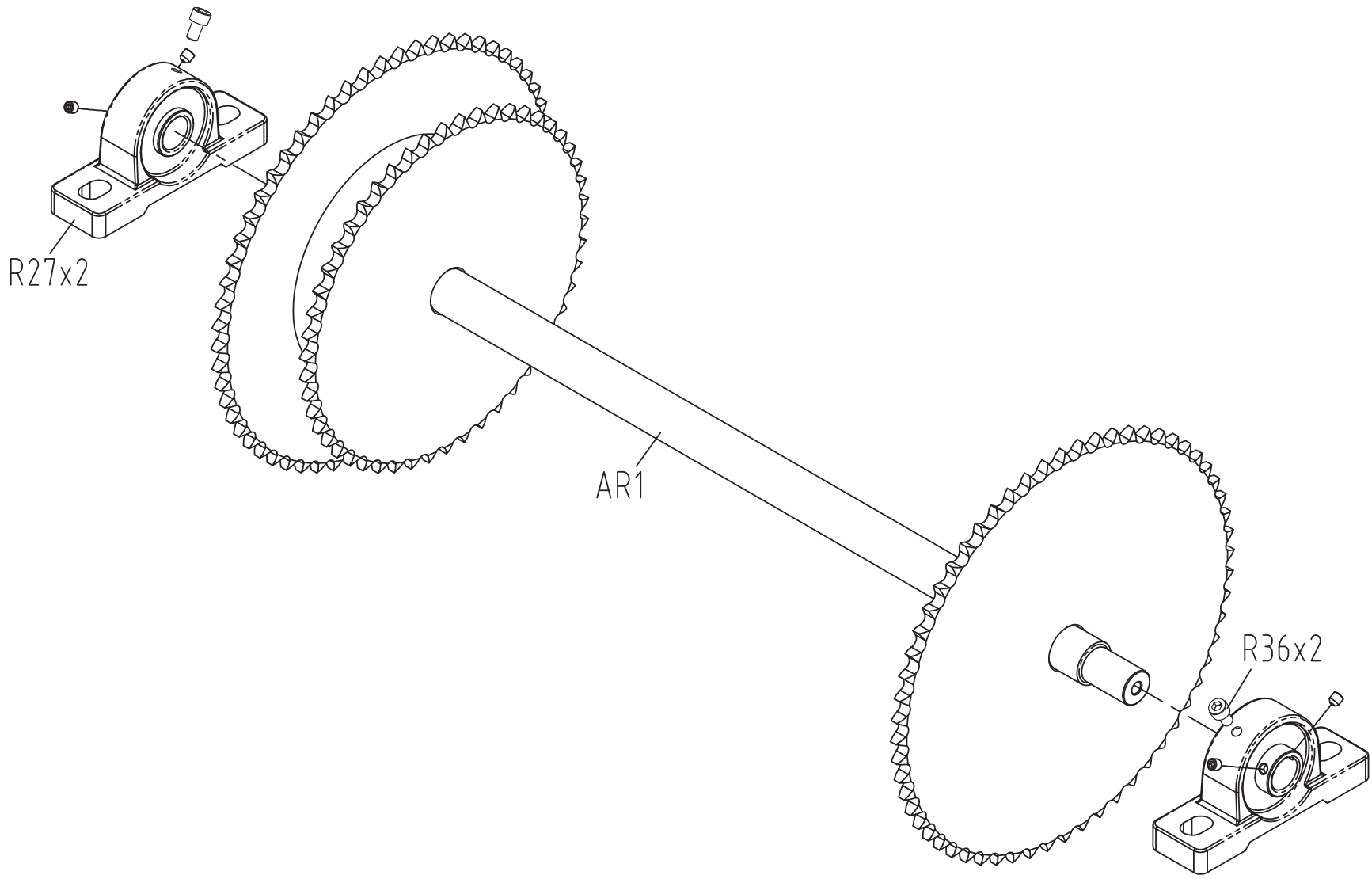
DRAWING NO	CS21-AQ11		
PART NAME	SIDE_COVER_SET;L		
PART NO	1000229943		B
APPROVE	Kenny	DATE	20130423



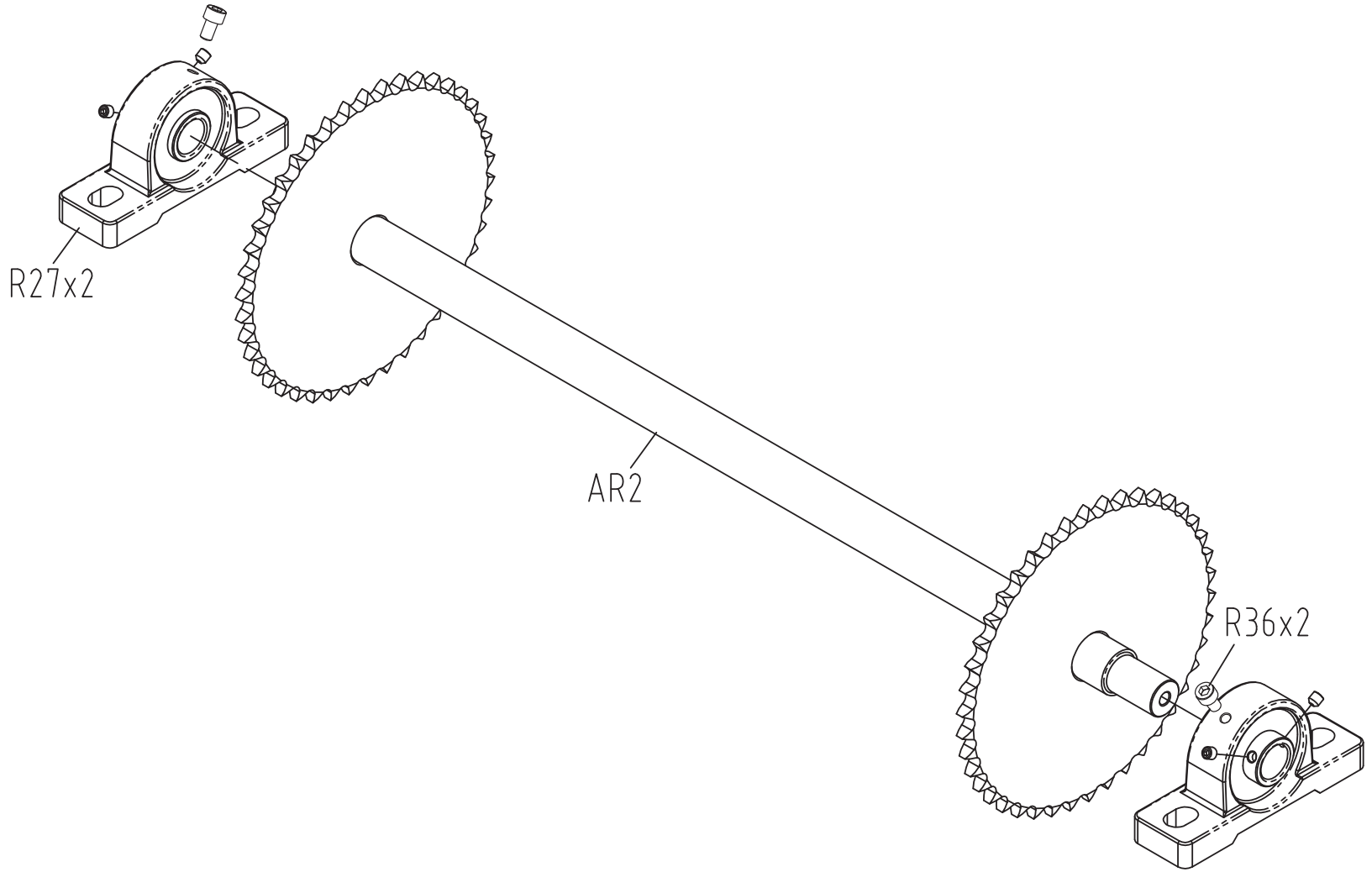
DRAWING NO	CS21-AQ12		
PART NAME	SIDE_COVER_SET;R		
PART NO	1000229944 B		
APPROVE	KENNY	DATE	20130423



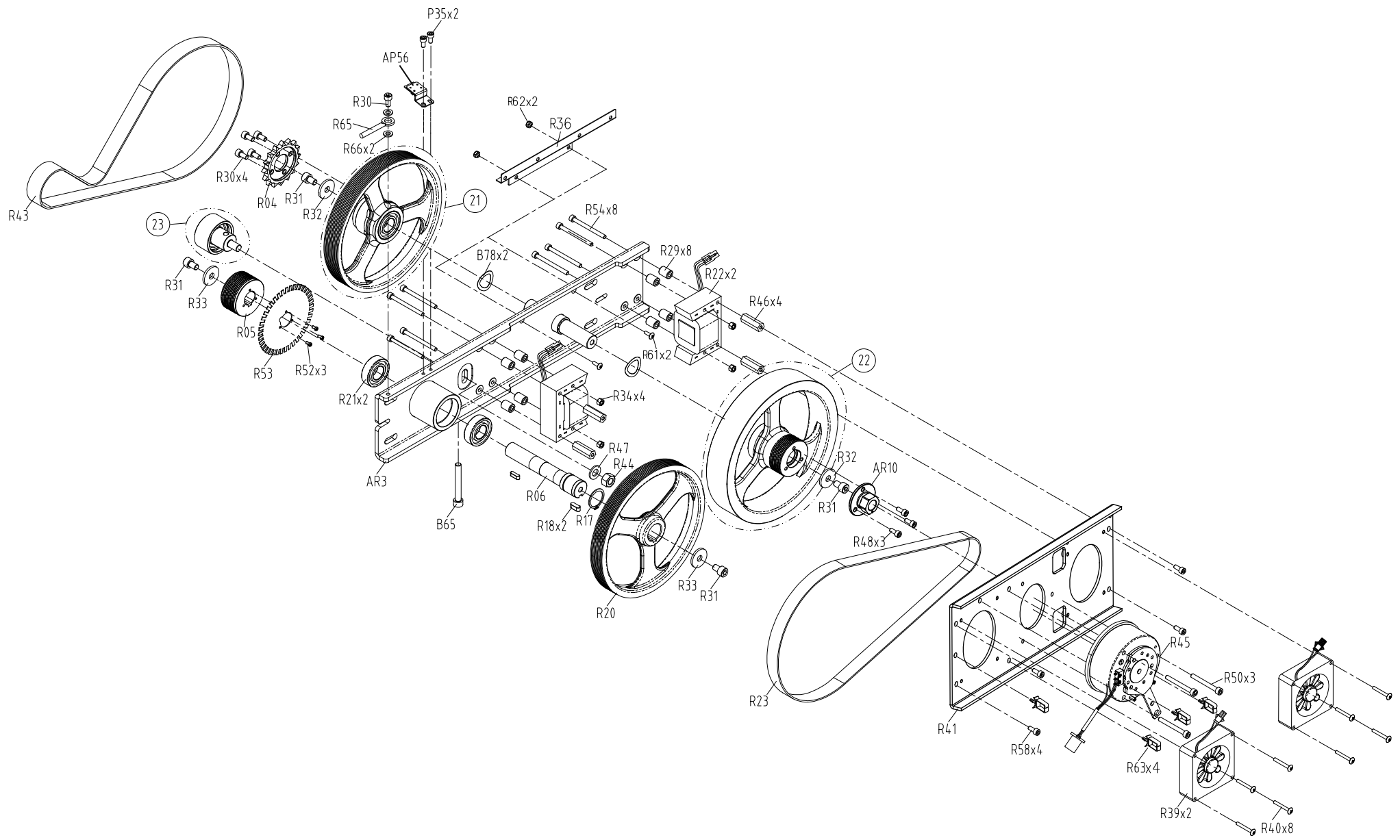
DRAWING NO	CS17-AR6		
PART NAME	SPROCKET_SET;FRONT		
PART NO	1000212922		C
APPROVE	HERMES	DATE	2011117




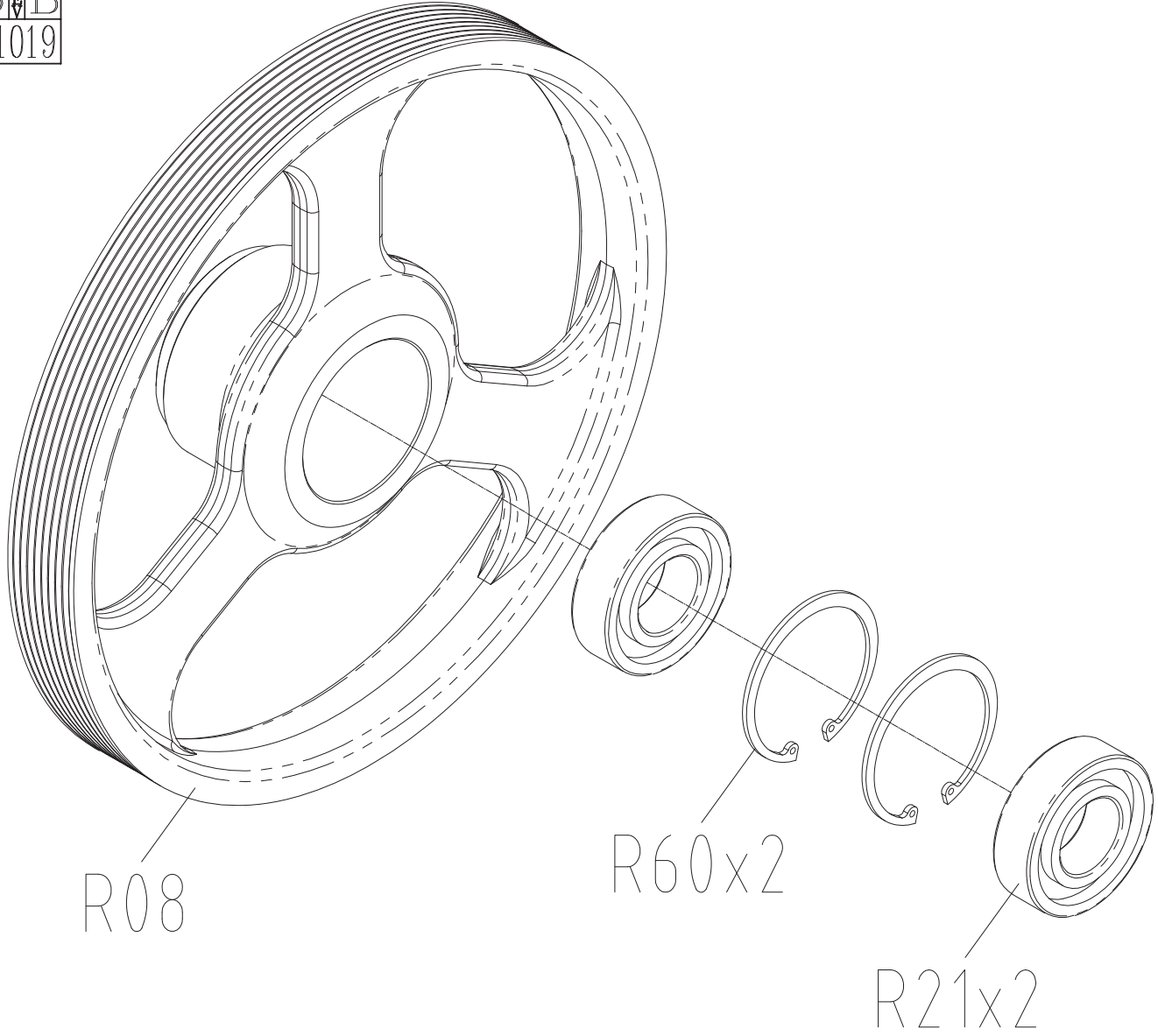
DRAWING NO	CS17-AR7		
PART NAME	SPROCKET_SET;REAR		
PART NO	1000212923	REV	C
APPROVE	HERMES	DATE	2011117



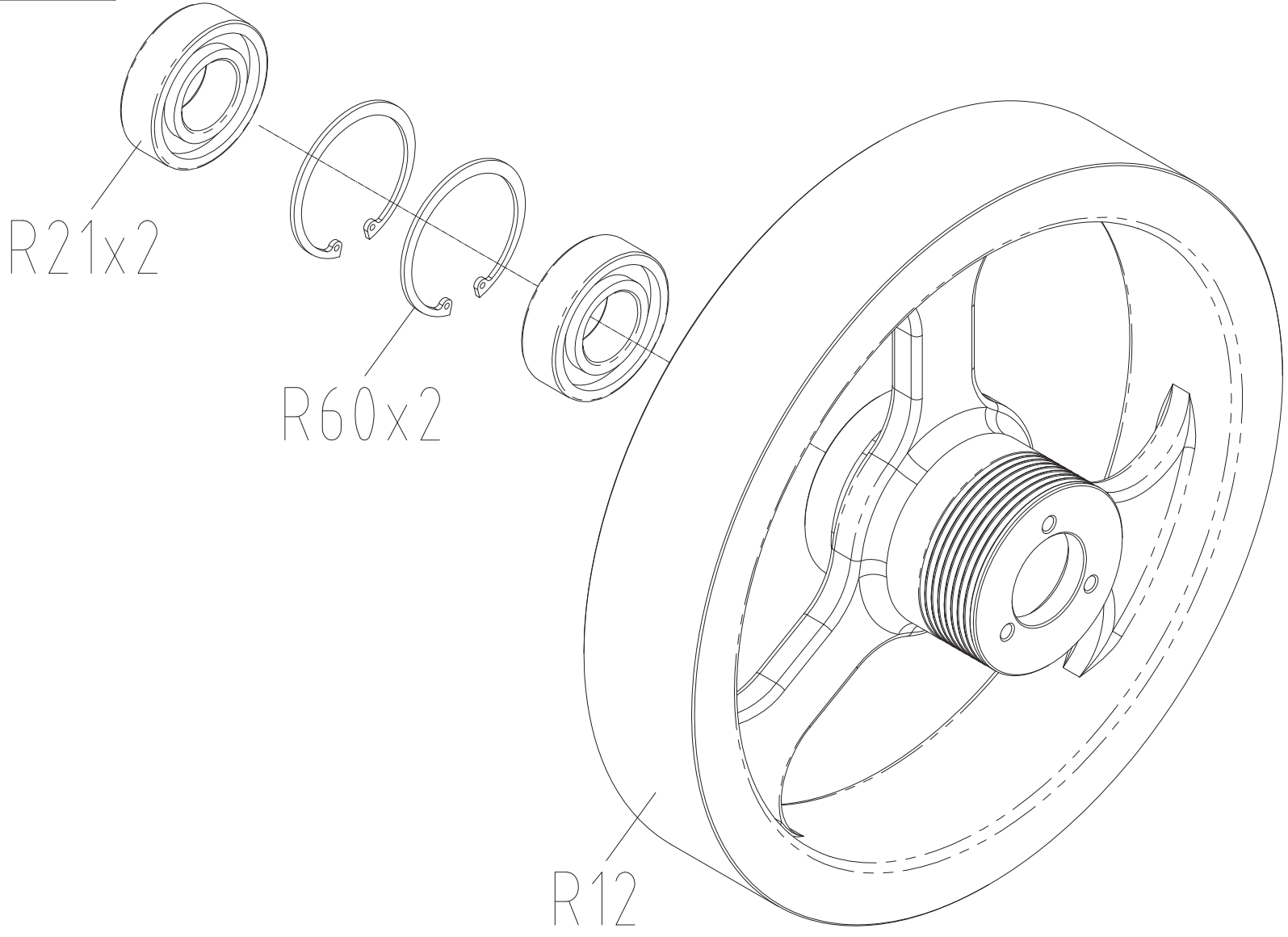
DRAWING NO	CS17-AR11
PART NAME	DRIVE SET
PART NO	1000209259U
APPROVE	Ming
DATE	20170327




DRAWING NO	CS17-AR4		
PART NAME	PULLEY SET		
PART NO	1000212516		B
APPROVE	JOHNNY	DATE	20111019



DRAWING NO	CS17-AR5		
PART NAME	FLYWHEEL_SET		
PART NO	1000211384		B
APPROVE	JOHNNY	DATE	20111019



DRAWING NO	CS17-AR9		
PART NAME	IDLER_SET		
PART NO	1000217719		B
APPROVE	JOHNNY	DATE	20111020

