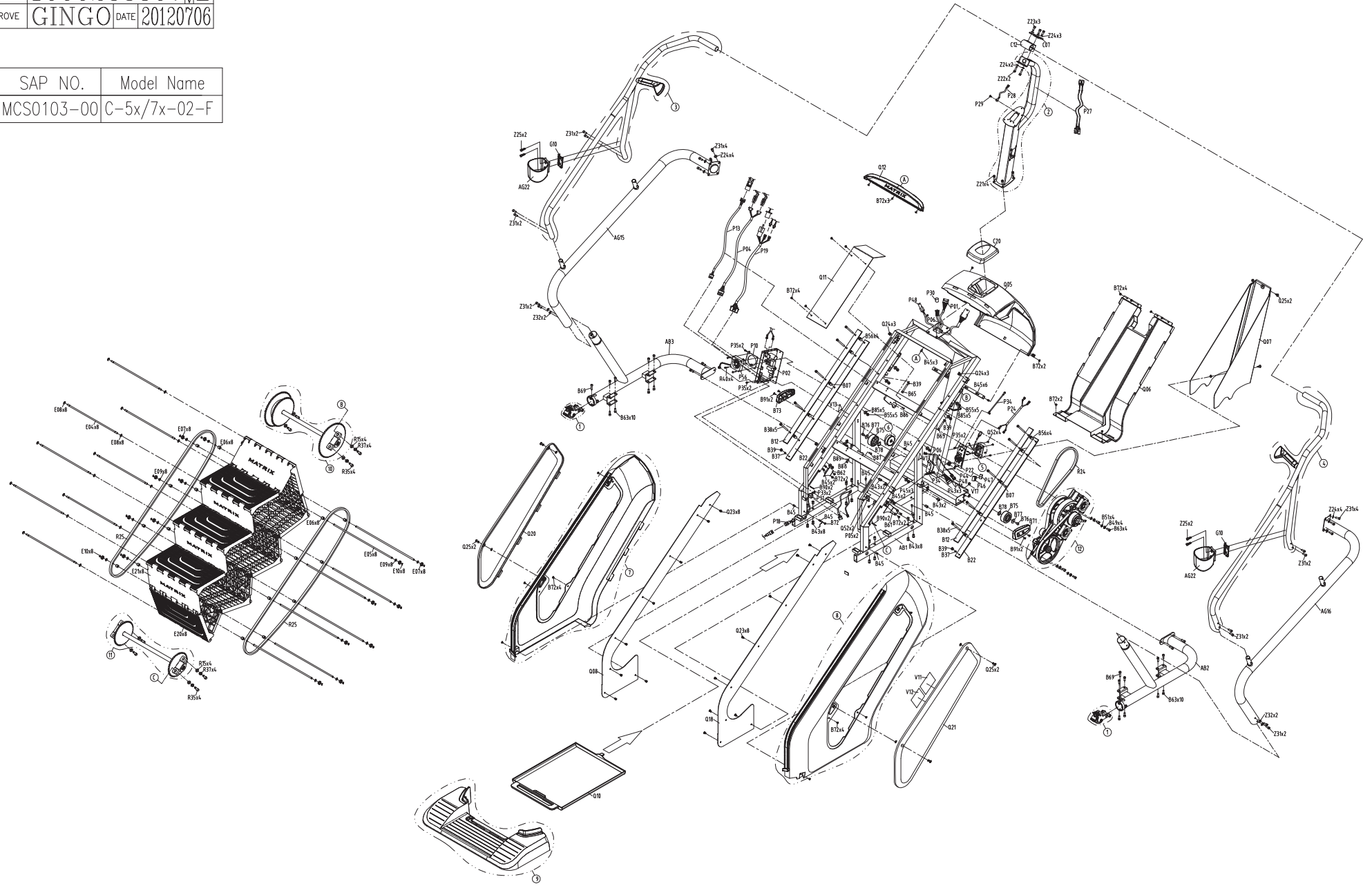
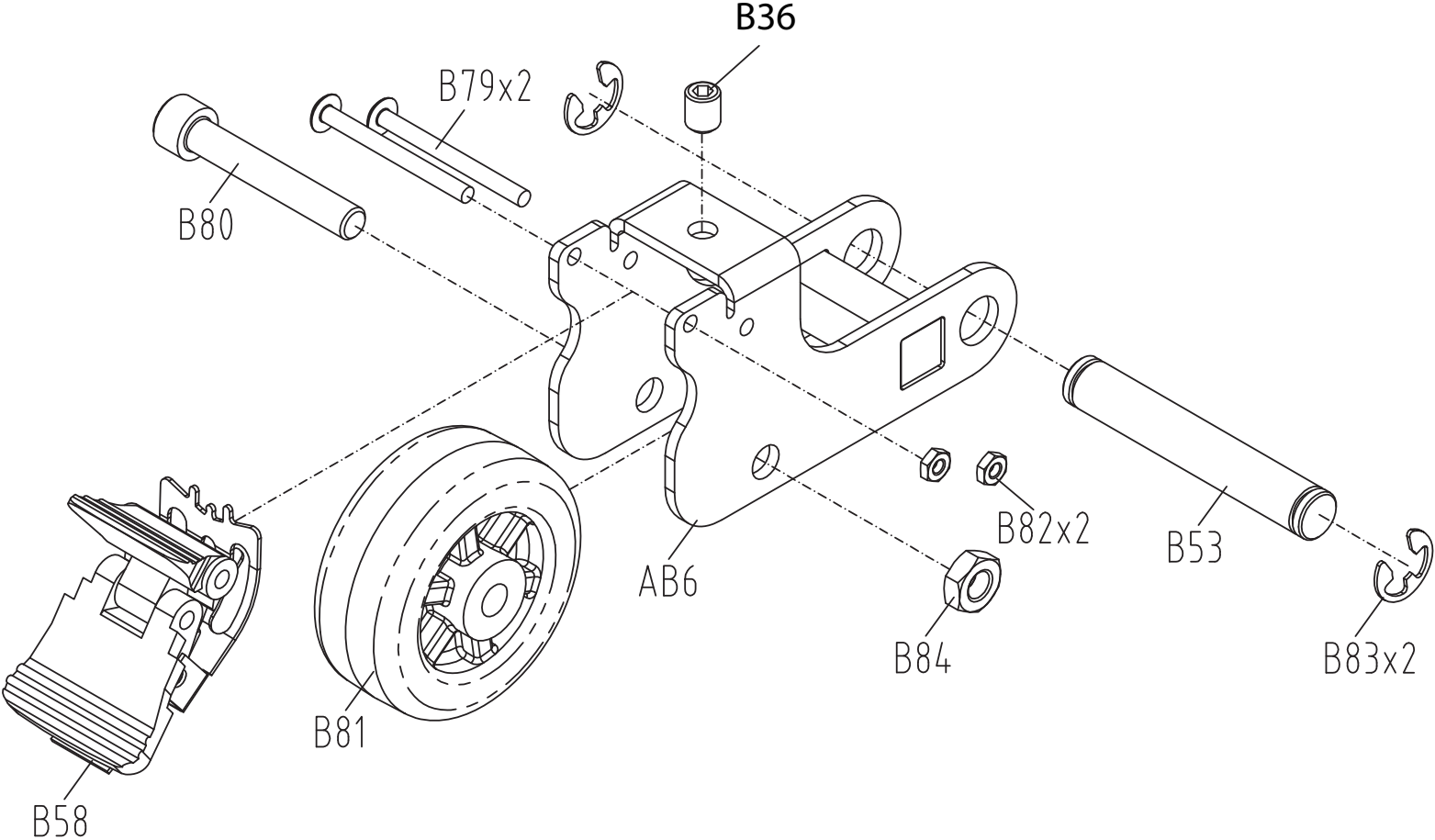


DRAWING NO	CS22-A04		
PART NAME	EXPLODED DRAWING		
PART NO	1000233807		
APPROVE	GINGO	DATE	20120706

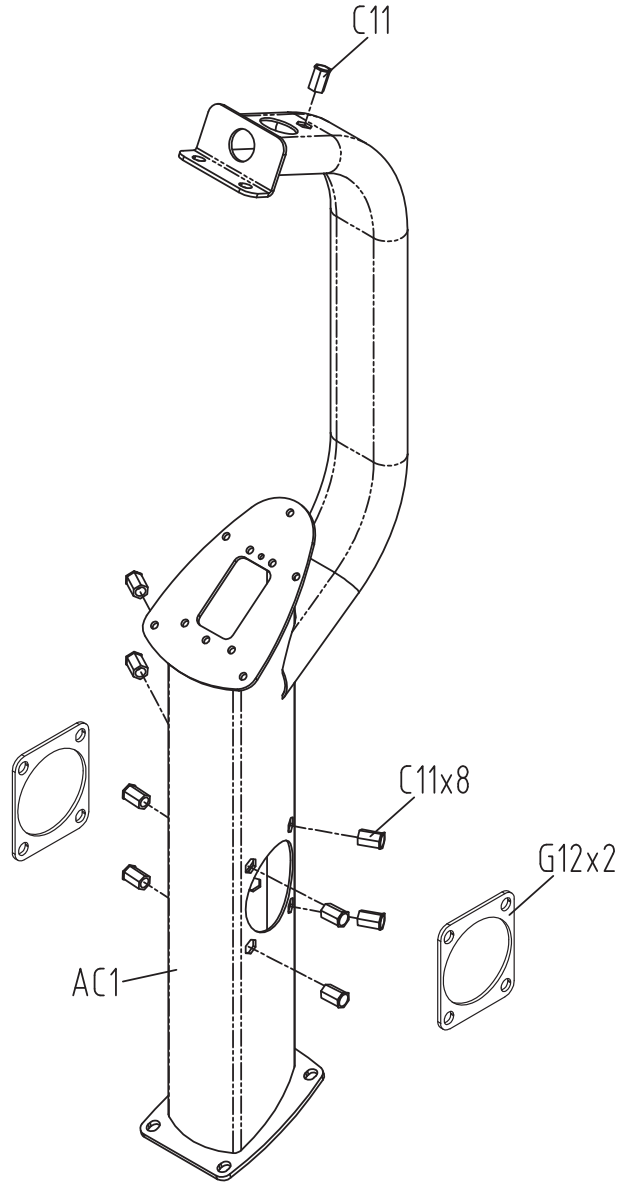
SAP NO.	Model Name
MCS0103-00	C-5x/7x-02-F



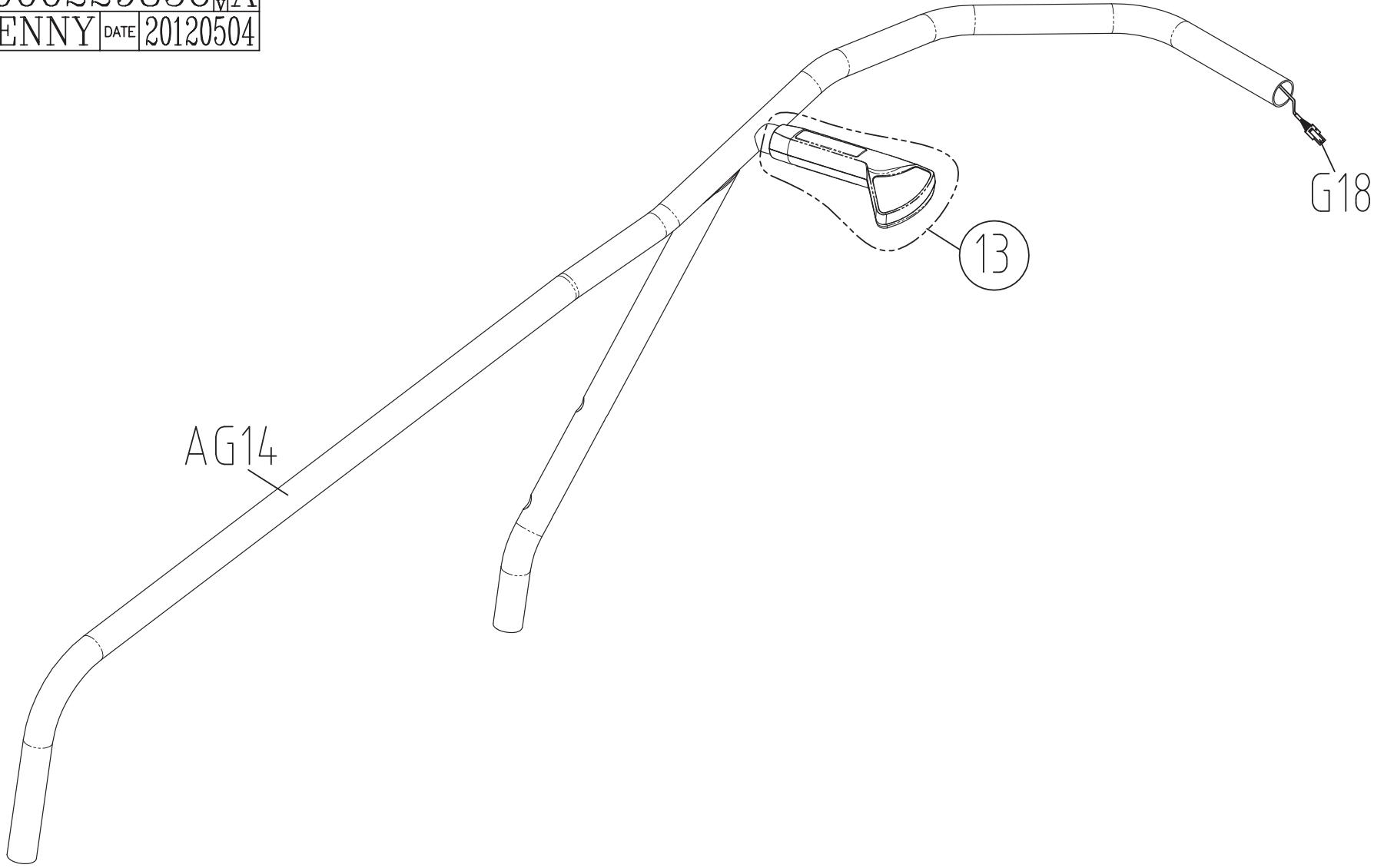
DRAWING NO	CS17-AB14		
PART NAME	WHEEL_SET		
PART NO	1000213059	REV	B
APPROVE	HERMES	DATE	20101221



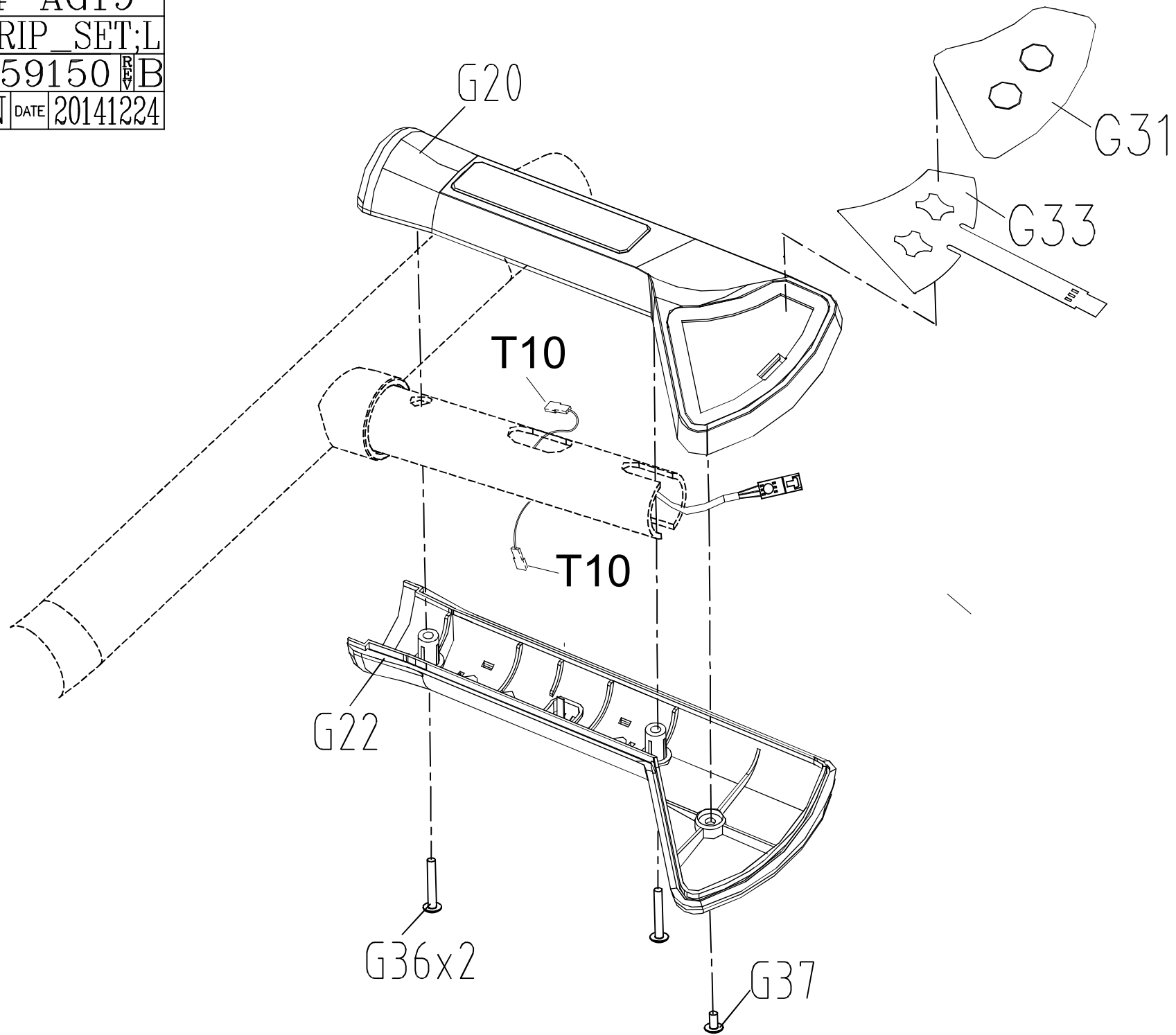
DRAWING NO	CS17-AC11		
PART NAME	CONSOLE_MAST_SET;SA		
PART NO	1000209252	REV	C
APPROVE	HERMES	DATE	20110721



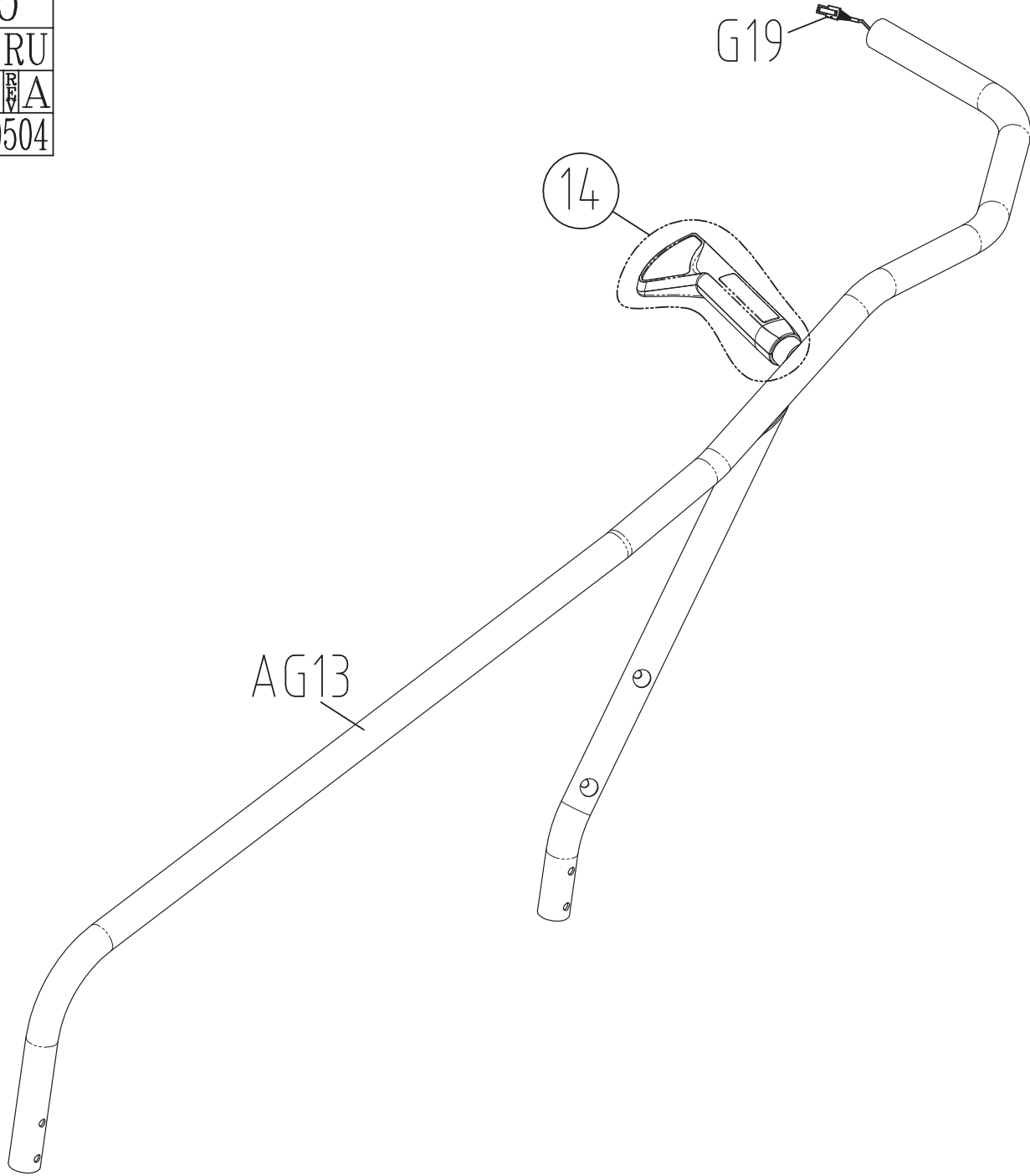
DRAWING NO	CS21-AG18	
PART NAME	ARM REST SET;LU	
PART NO	1000229856 R/A	
APPROVE	KENNY	DATE 20120504



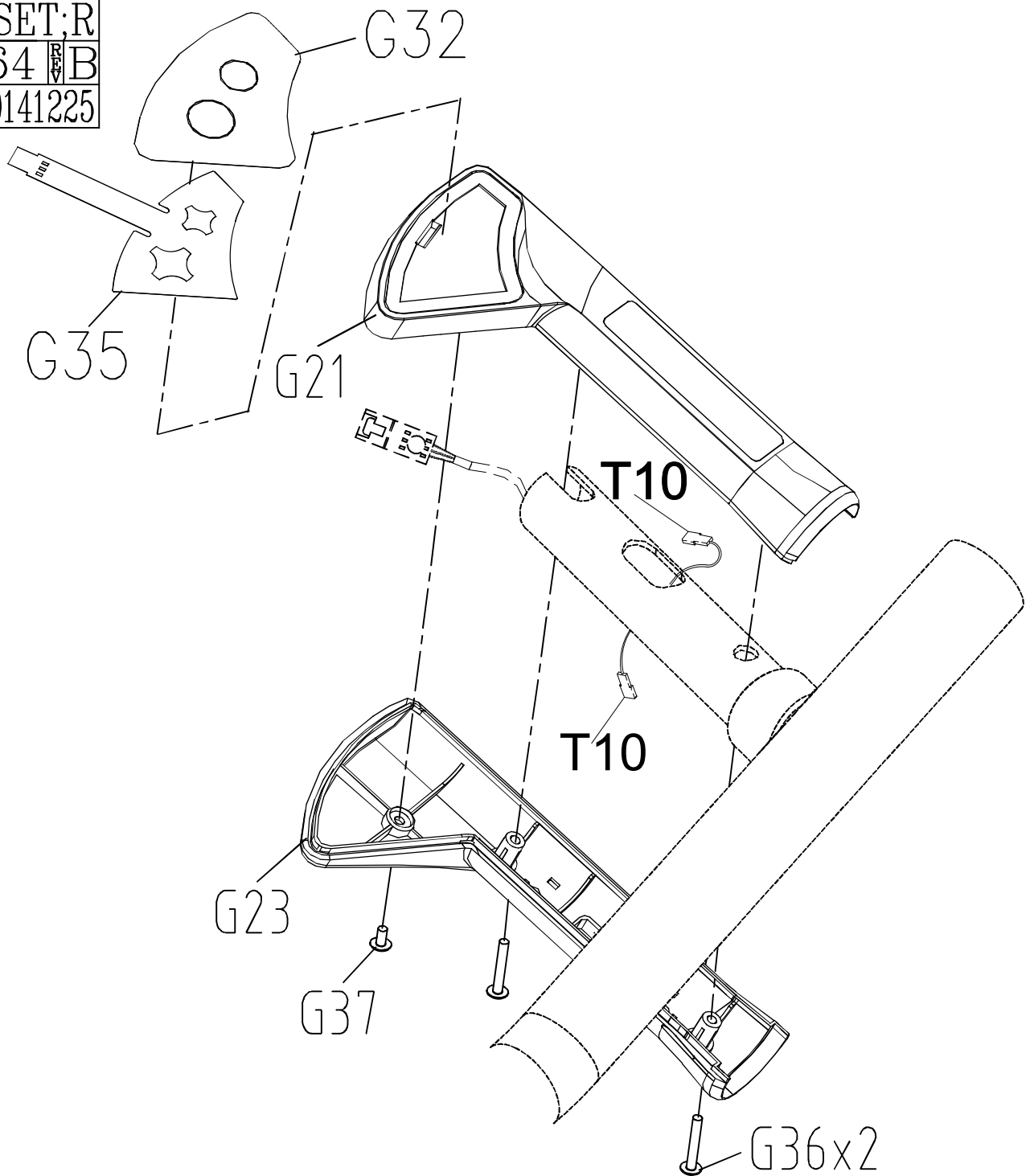
DRAWING NO	CS24-AG19		
PART NAME	HANDGRIP_SET;L		
PART NO	1000359150 B		
APPROVE	EASON	DATE	20141224



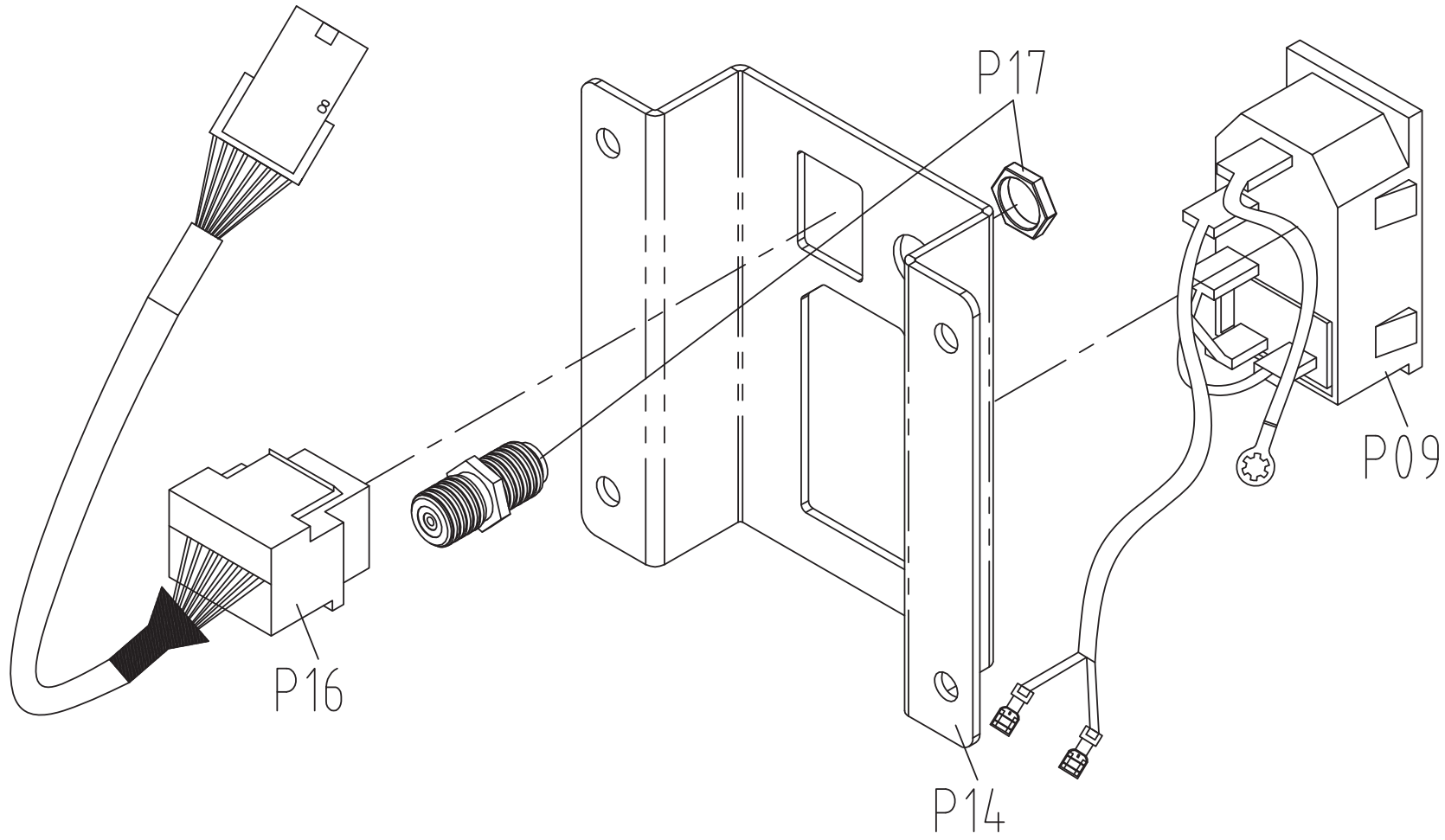
DRAWING NO	CS21-AG20		
PART NAME	ARM REST SET;RU		
PART NO	1000229941R/A		
APPROVE	KENNY	DATE	20120504



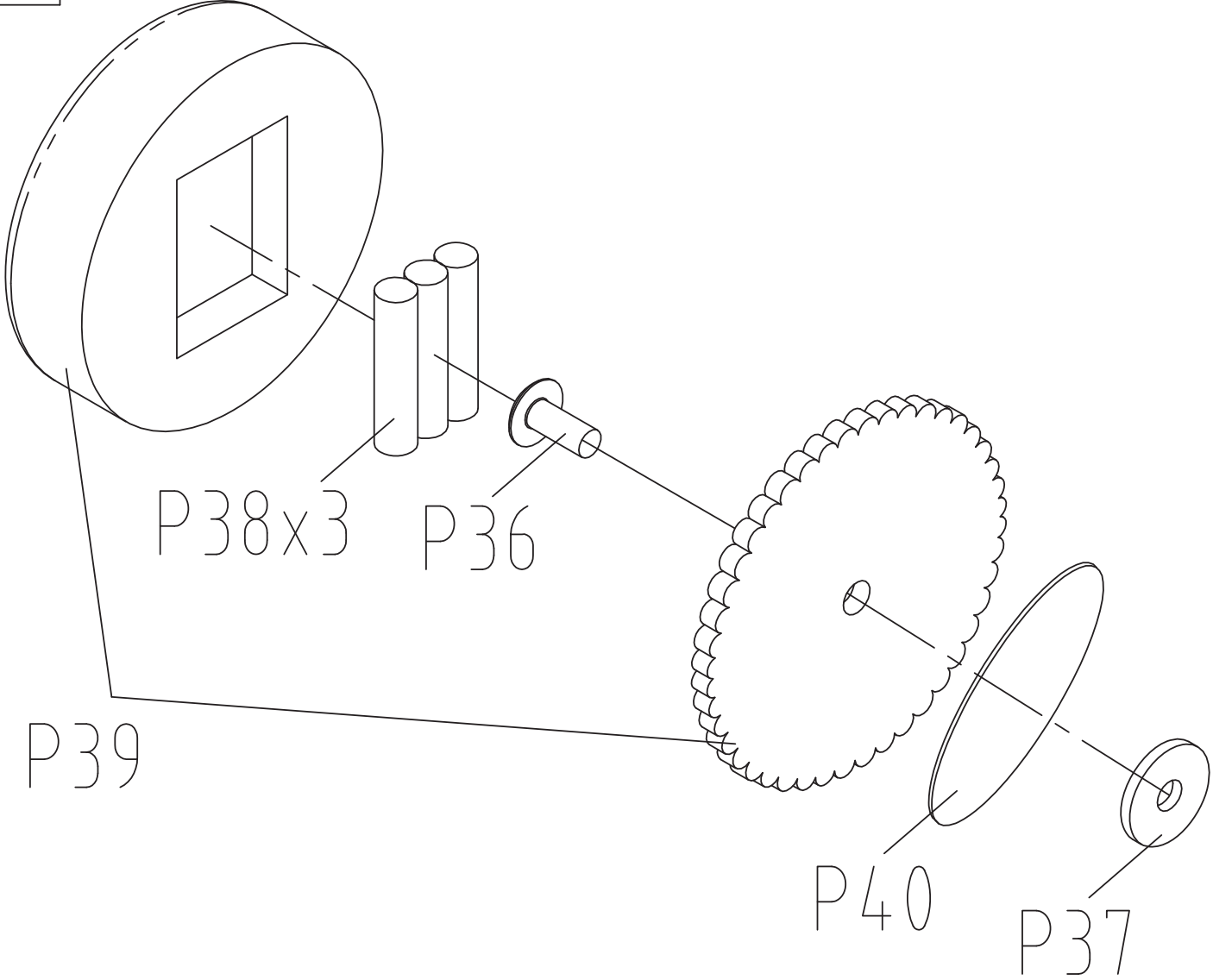
DRAWING NO	CS24-AG21		
PART NAME	HANDGRIP_SET;R		
PART NO	1000359164		B
APPROVE	EASON	DATE	20141225



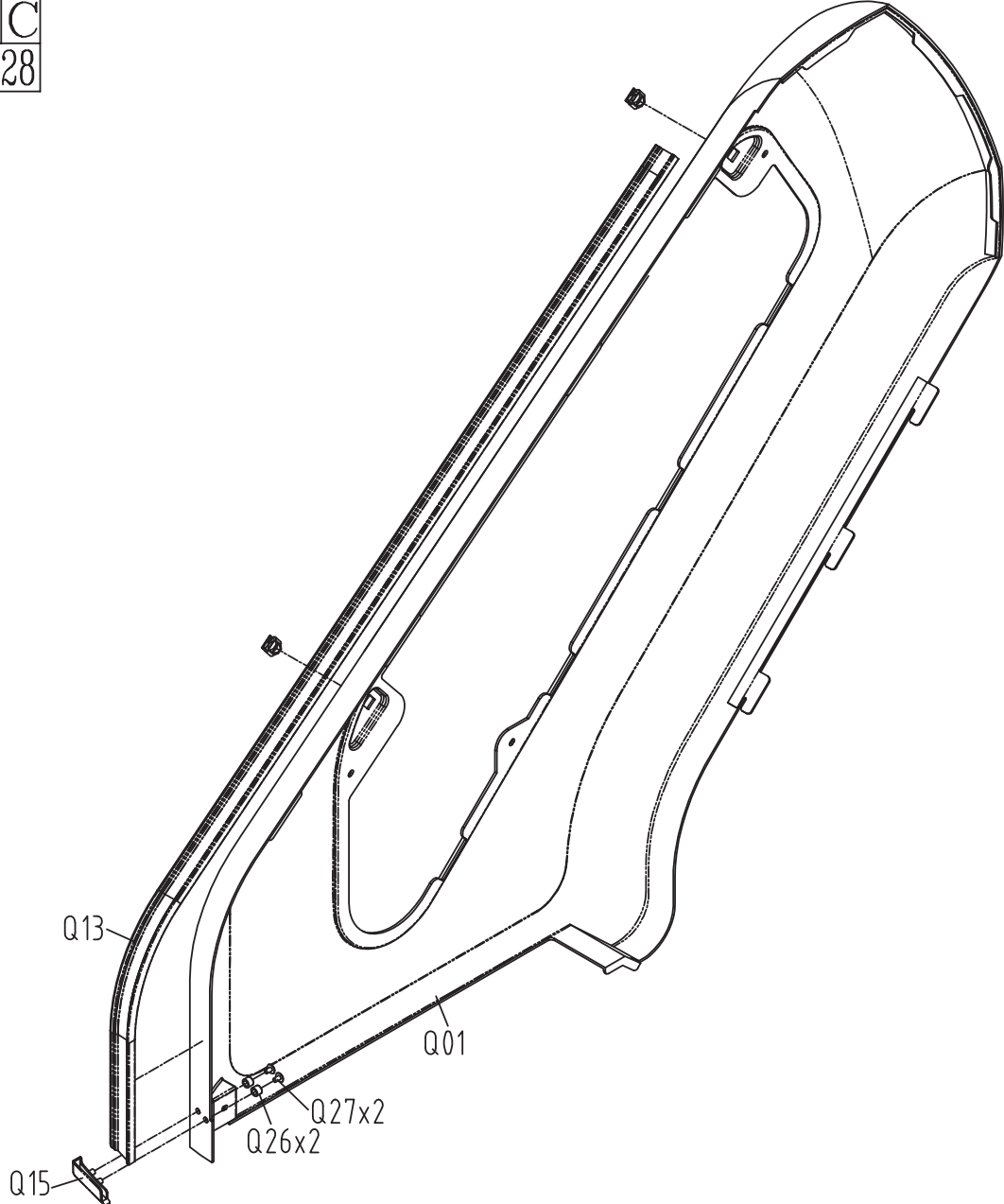
DRAWING NO	CS17-AP15		
PART NAME	E-PORT_FIX_PLATE_SET		
PART NO	1000203645	REV	C
APPROVE	HERMES	DATE	20110419



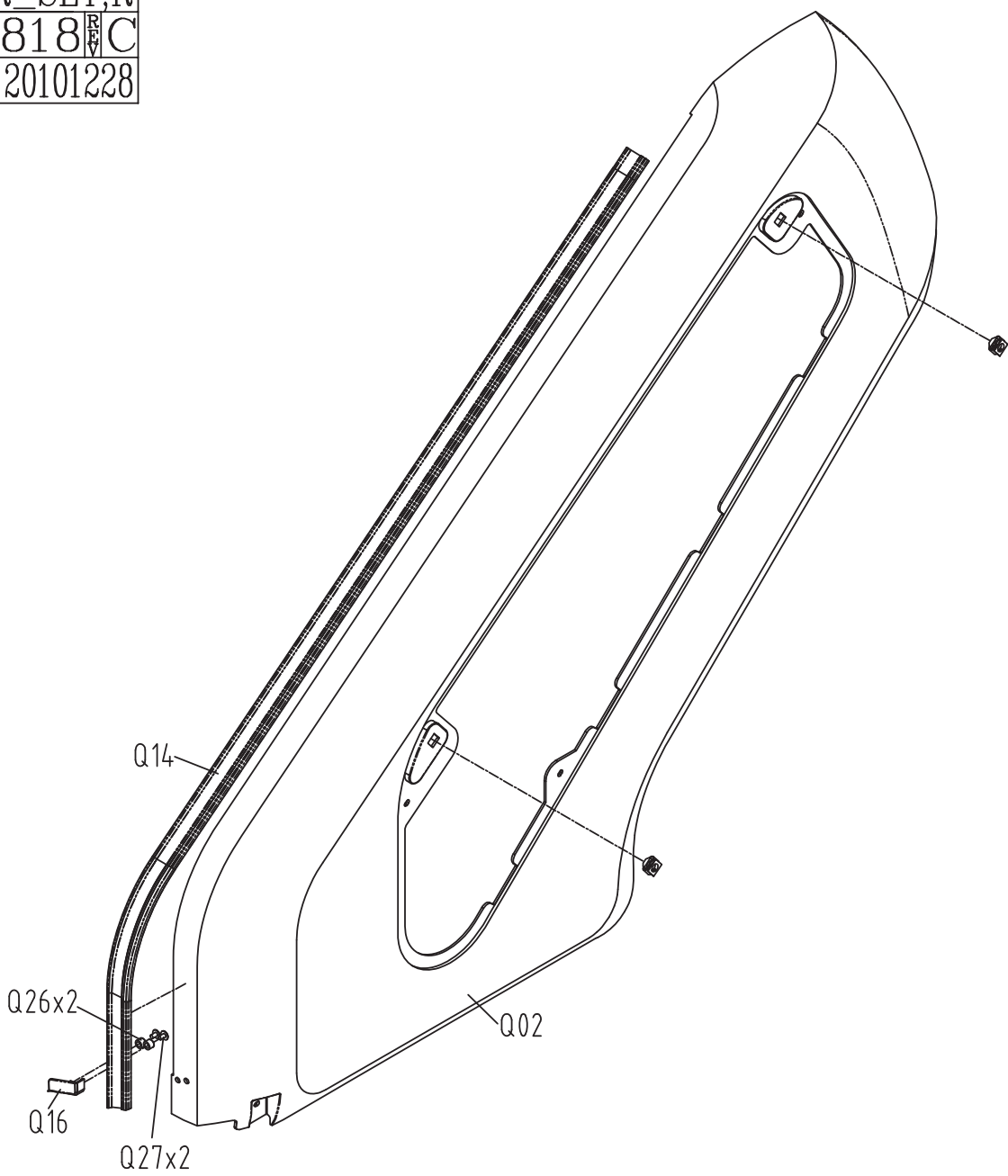
DRAWING NO	CS17-AP16		
PART NAME	LED MAINTAIN LIGHT SET		
PART NO	1000213364		
APPROVE	Sunny	DATE	082112




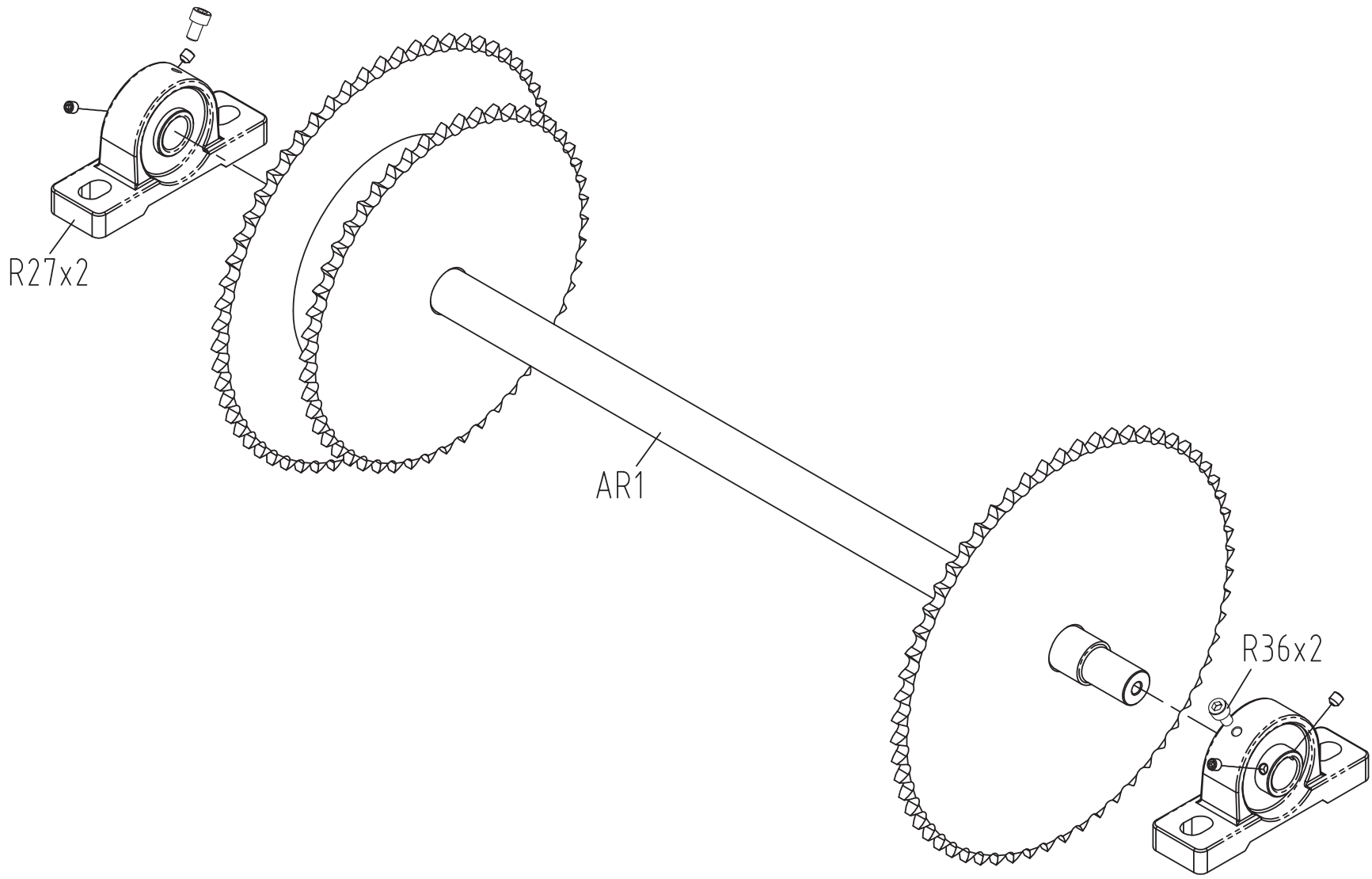
DRAWING NO	CS17-AQ1		
PART NAME	SIDE_COVER_SET;L		
PART NO	1000203817		
APPROVE	HERMES	DATE	20101228



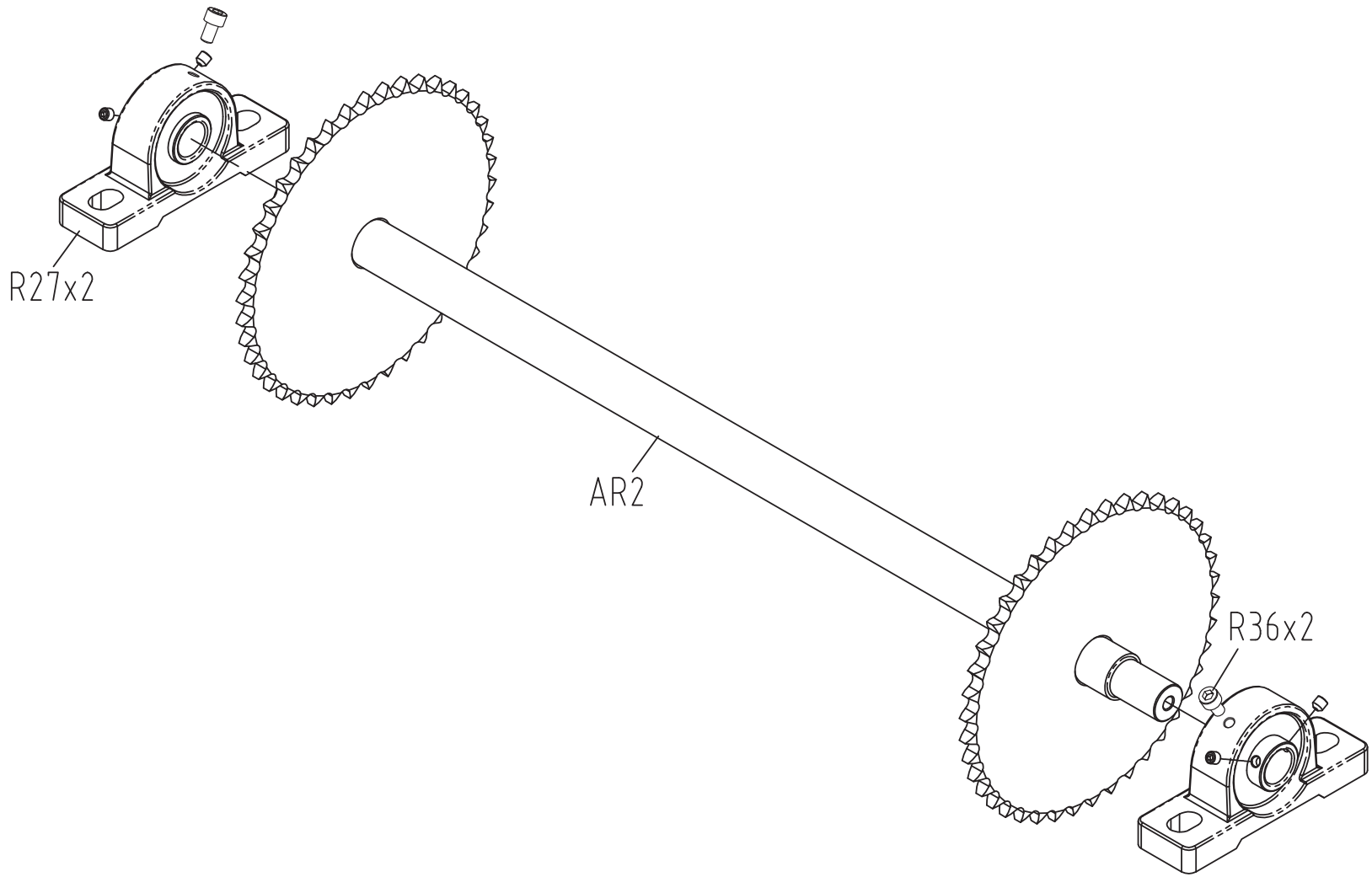
DRAWING NO	CS17-AQ2		
PART NAME	SIDE_COVER_SET;R		
PART NO	1000203818	REV	C
APPROVE	HERMES	DATE	20101228



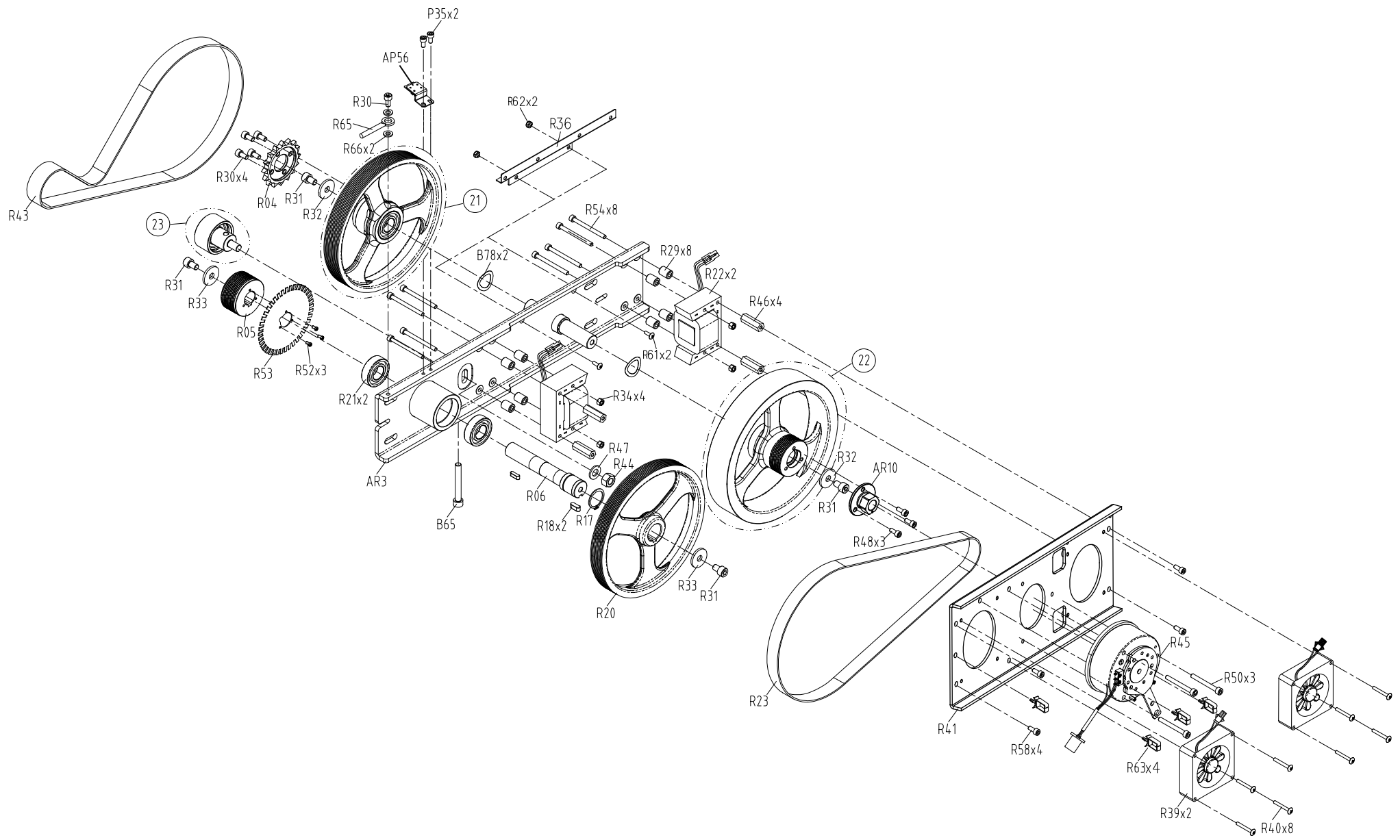
DRAWING NO	CS17-AR6		
PART NAME	SPROCKET_SET;FRONT		
PART NO	1000212922		C
APPROVE	HERMES	DATE	2011117




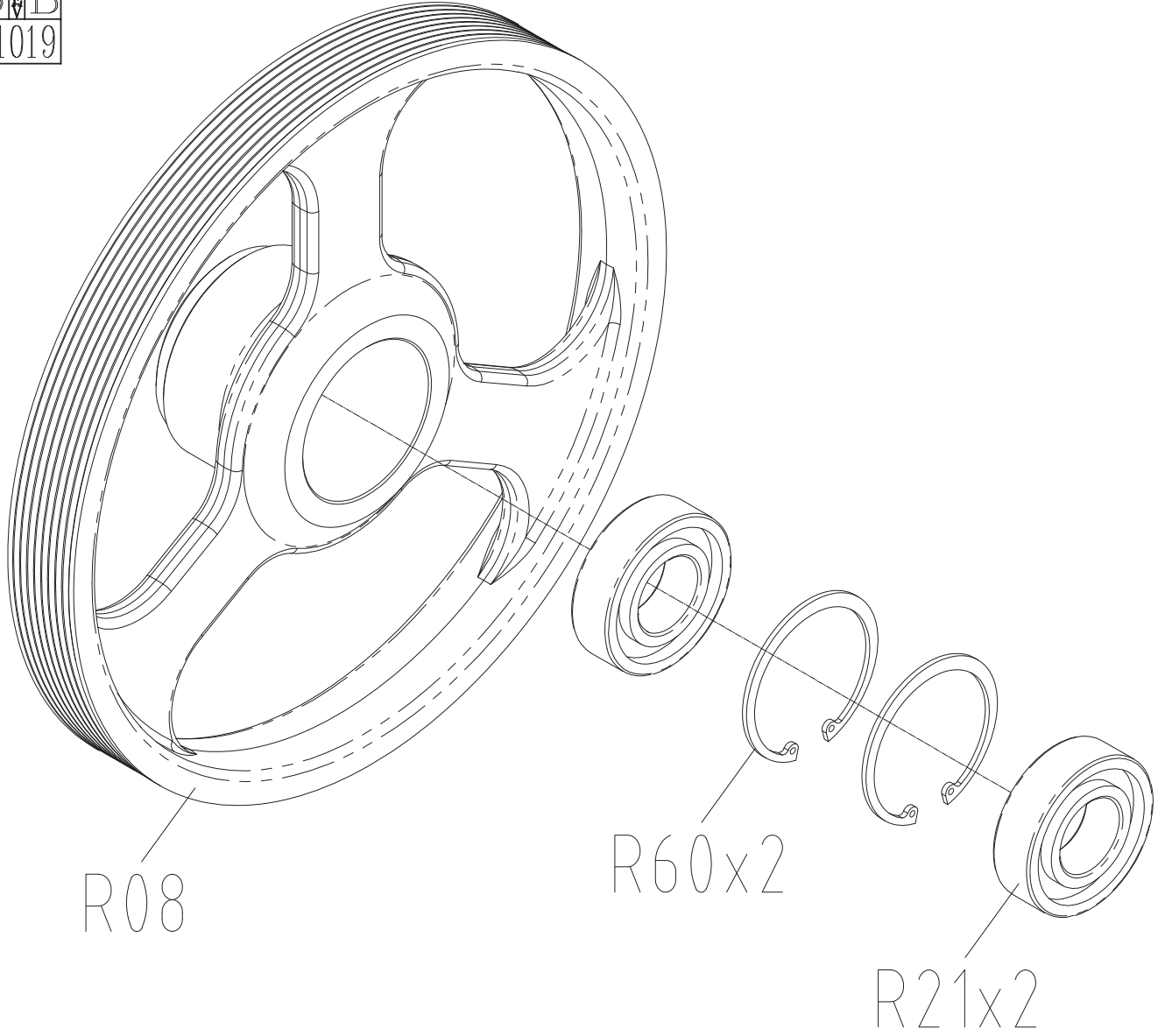
DRAWING NO	CS17-AR7		
PART NAME	SPROCKET_SET;REAR		
PART NO	1000212923	REV	C
APPROVE	HERMES	DATE	2011117



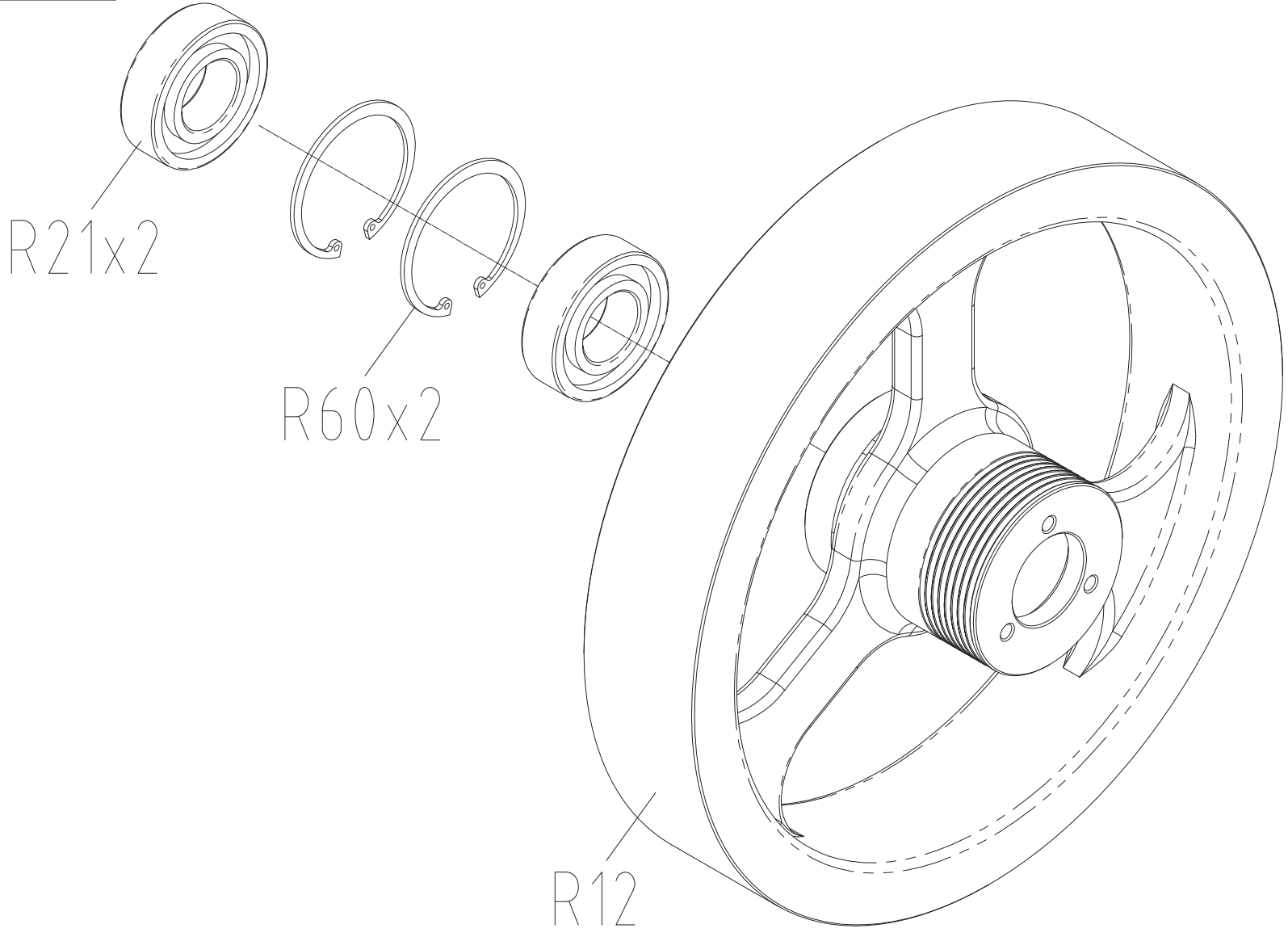
DRAWING NO	CS17-AR11
PART NAME	DRIVE SET
PART NO	1000209259U
APPROVE	Ming DATE 20170327



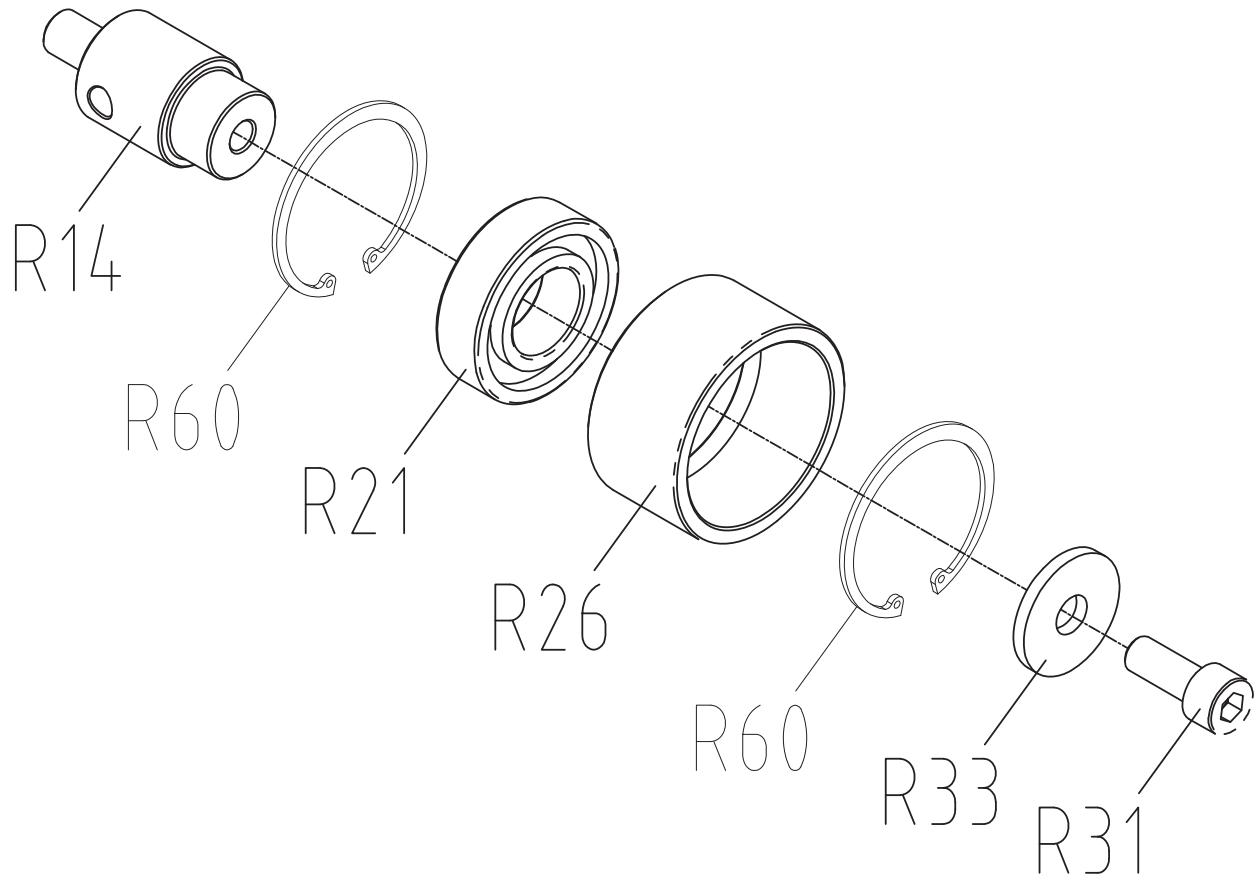
DRAWING NO	CS17-AR4		
PART NAME	PULLEY SET		
PART NO	1000212516		B
APPROVE	JOHNNY	DATE	20111019



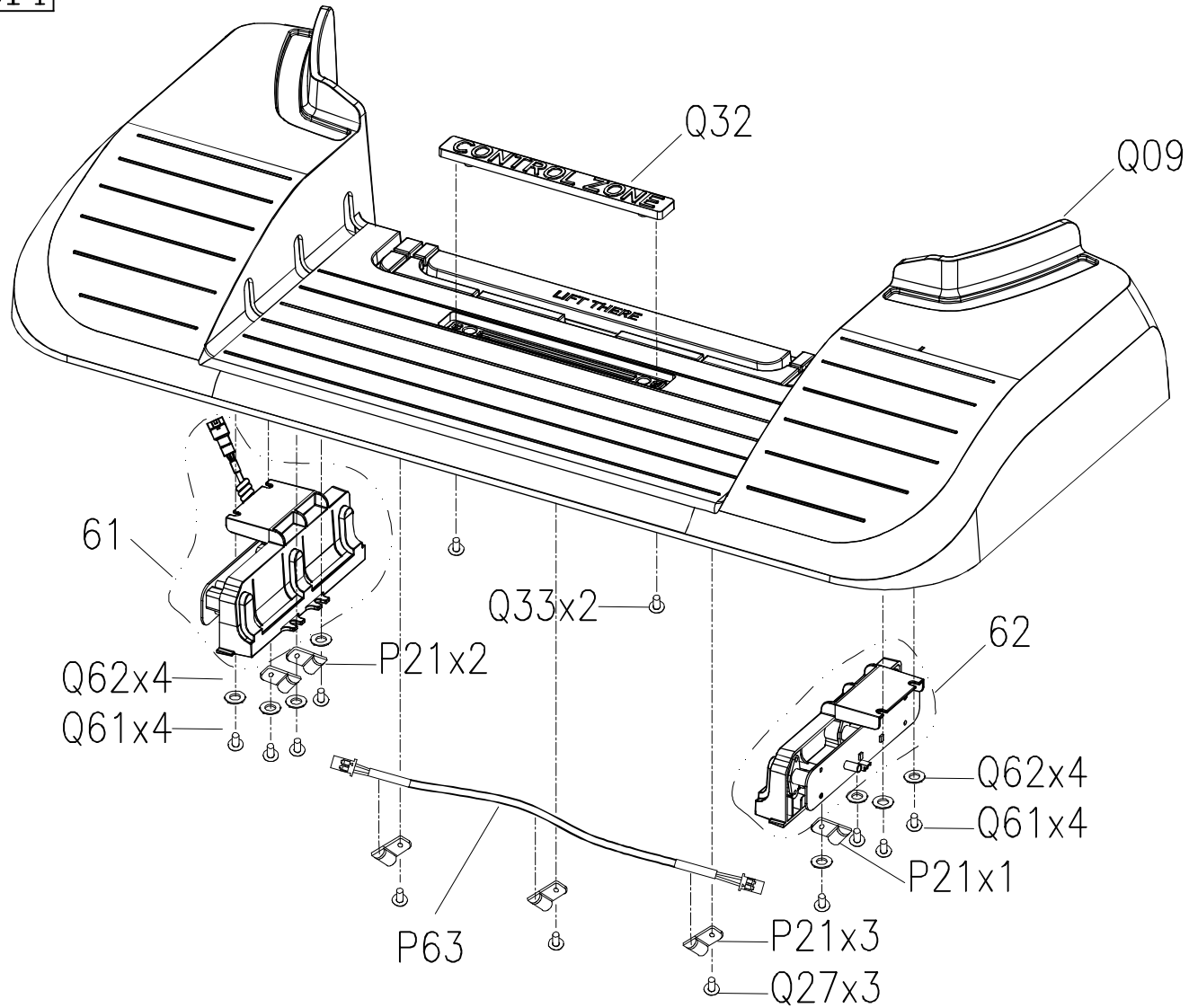
DRAWING NO	CS17-AR5		
PART NAME	FLYWHEEL_SET		
PART NO	1000211384		B
APPROVE	JOHNNY	DATE	20111019



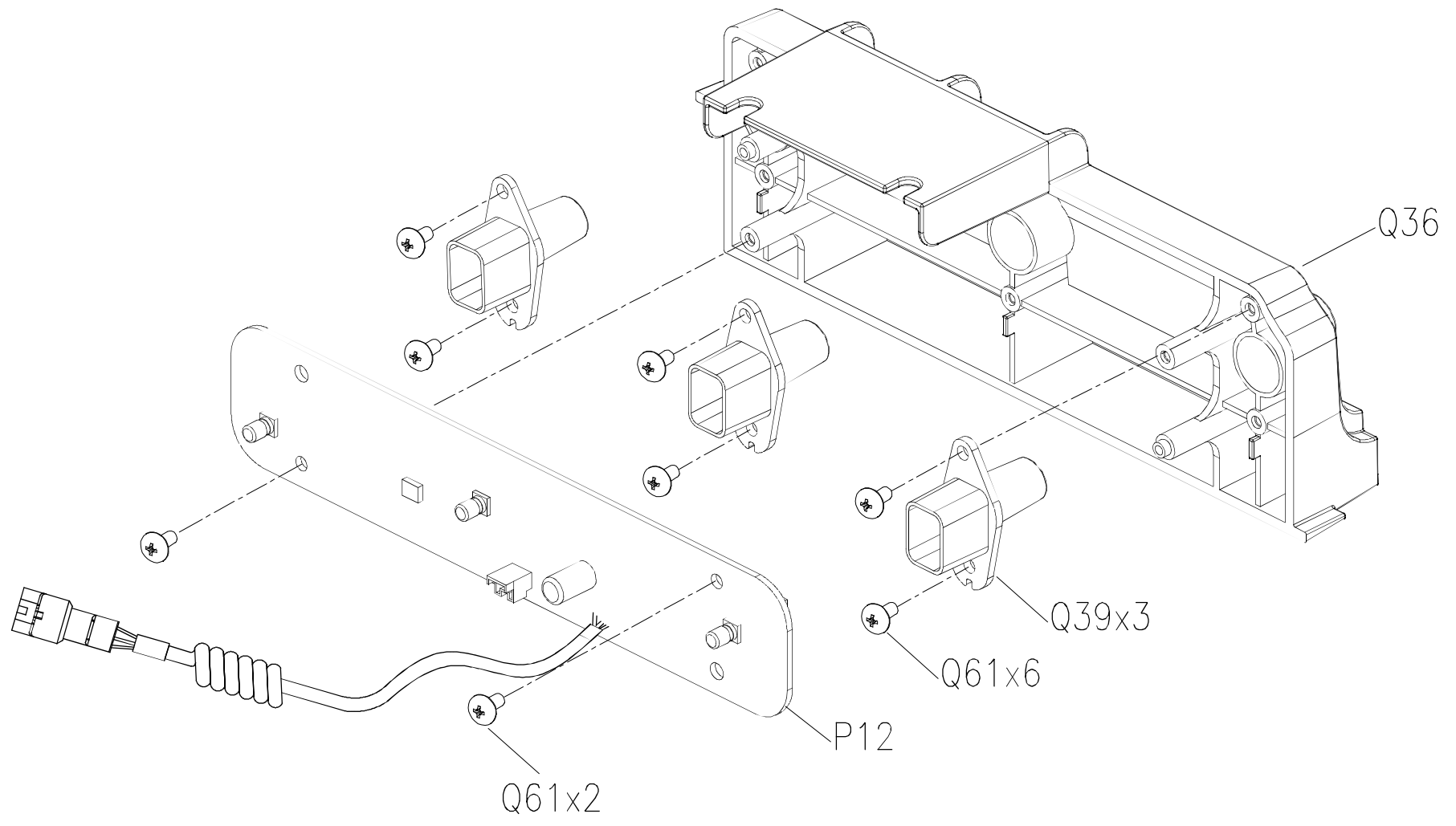
DRAWING NO	CS17-AR9		
PART NAME	IDLER_SET		
PART NO	1000217719	REV	B
APPROVE	JOHNNY	DATE	20111020



DRAWING NO	CS24-AQ3		
PART NAME	TREAD SET;;back		
PART NO	1000336928 <small>REV</small> B		
APPROVE	Gingo	DATE	031214



DRAWING NO	CS24-AQ61		
PART NAME	Connect board set;Receiver;left		
PART NO	1000337952 R/A		
APPROVE	Kyle	DATE	121913



DRAWING NO	CS24-AQ62		
PART NAME	Connect board set;Transmission:right		
PART NO	1000337953 R/A		
APPROVE	Kyle	DATE	121913

