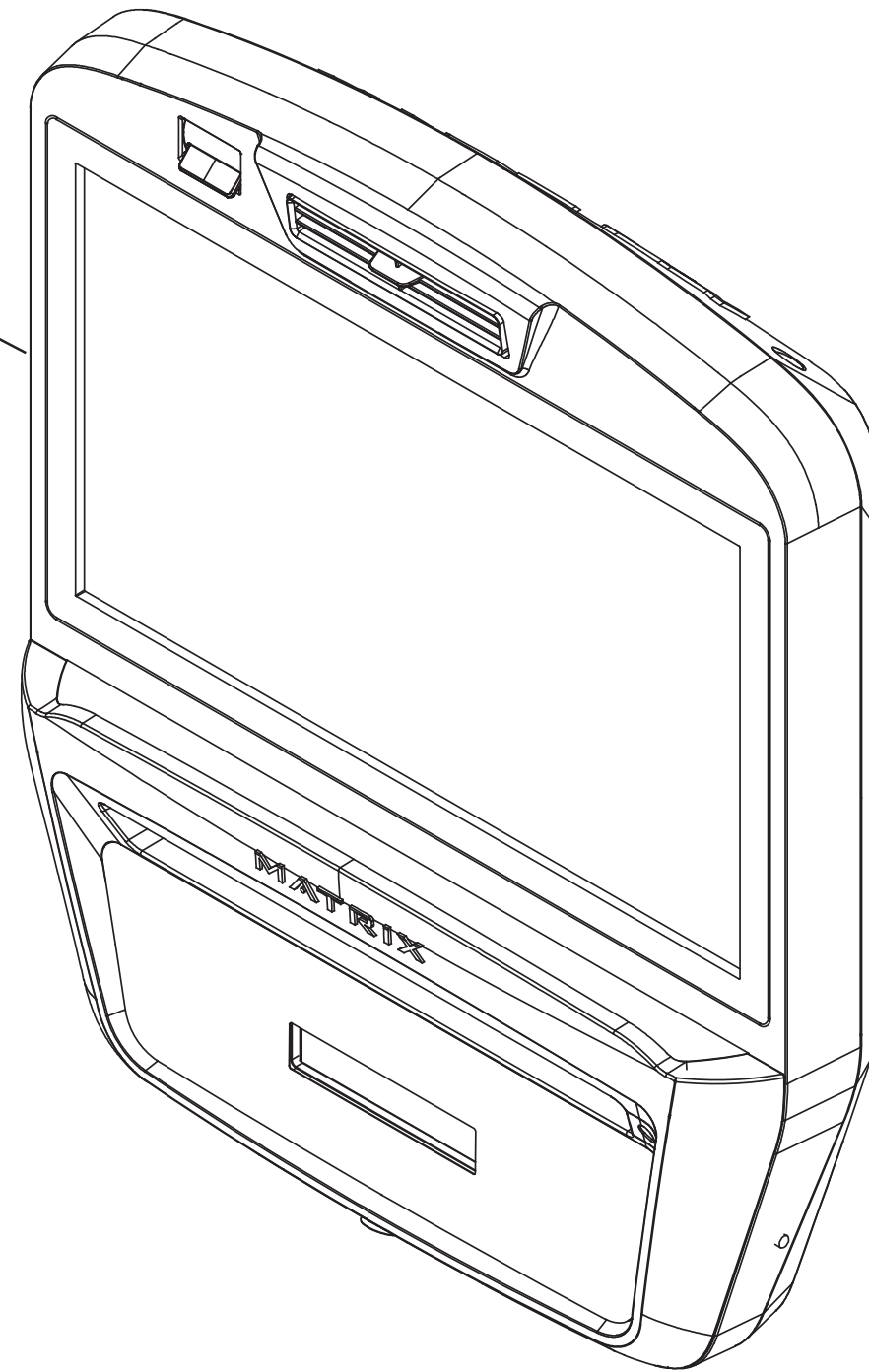


DRAWING NO	EP620F-A15		
PART NAME	ASSEMBLY VIEW		
PART NO	1000421688	REV	A
APPROVE	Castiel	DATE	030518

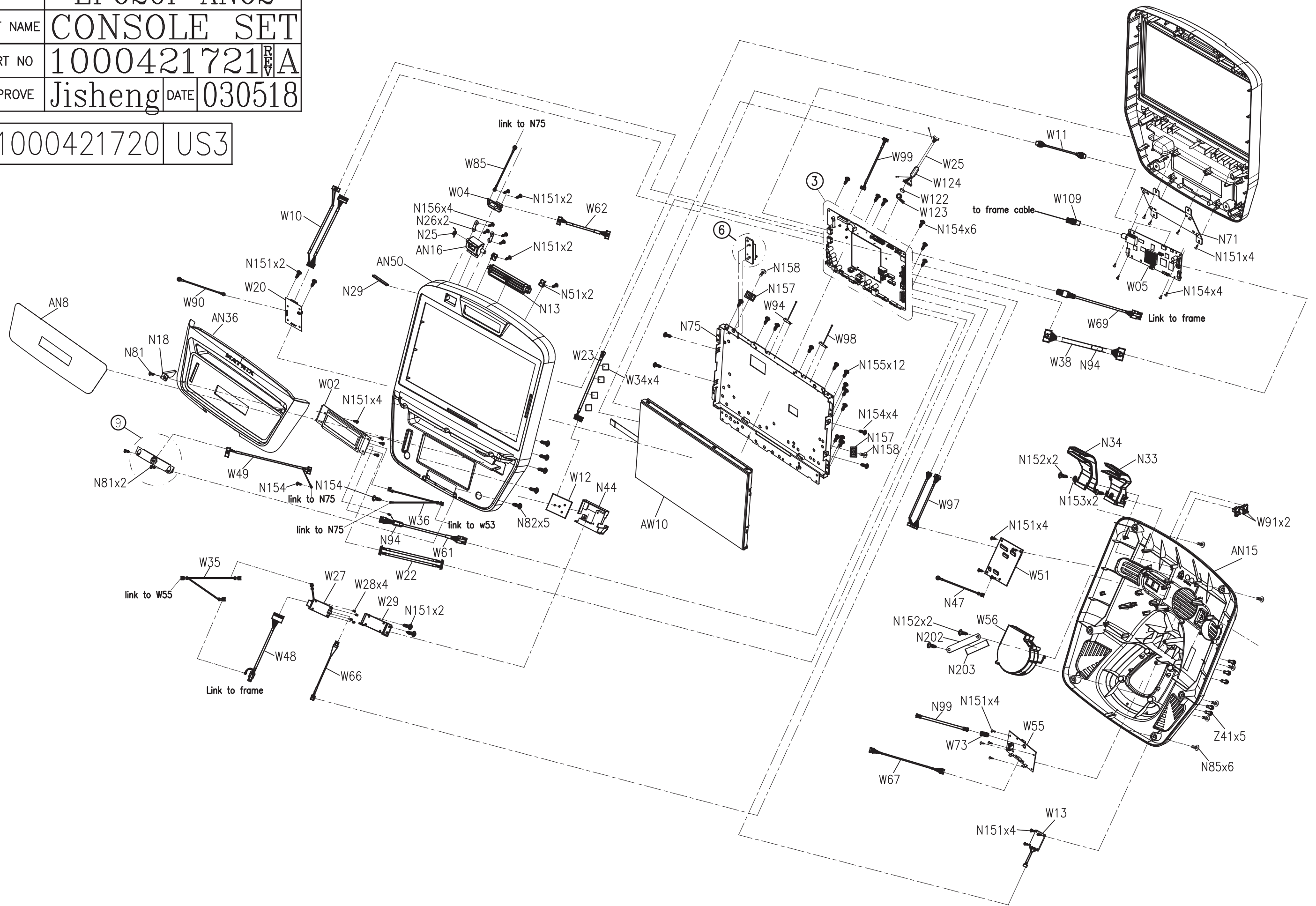
21



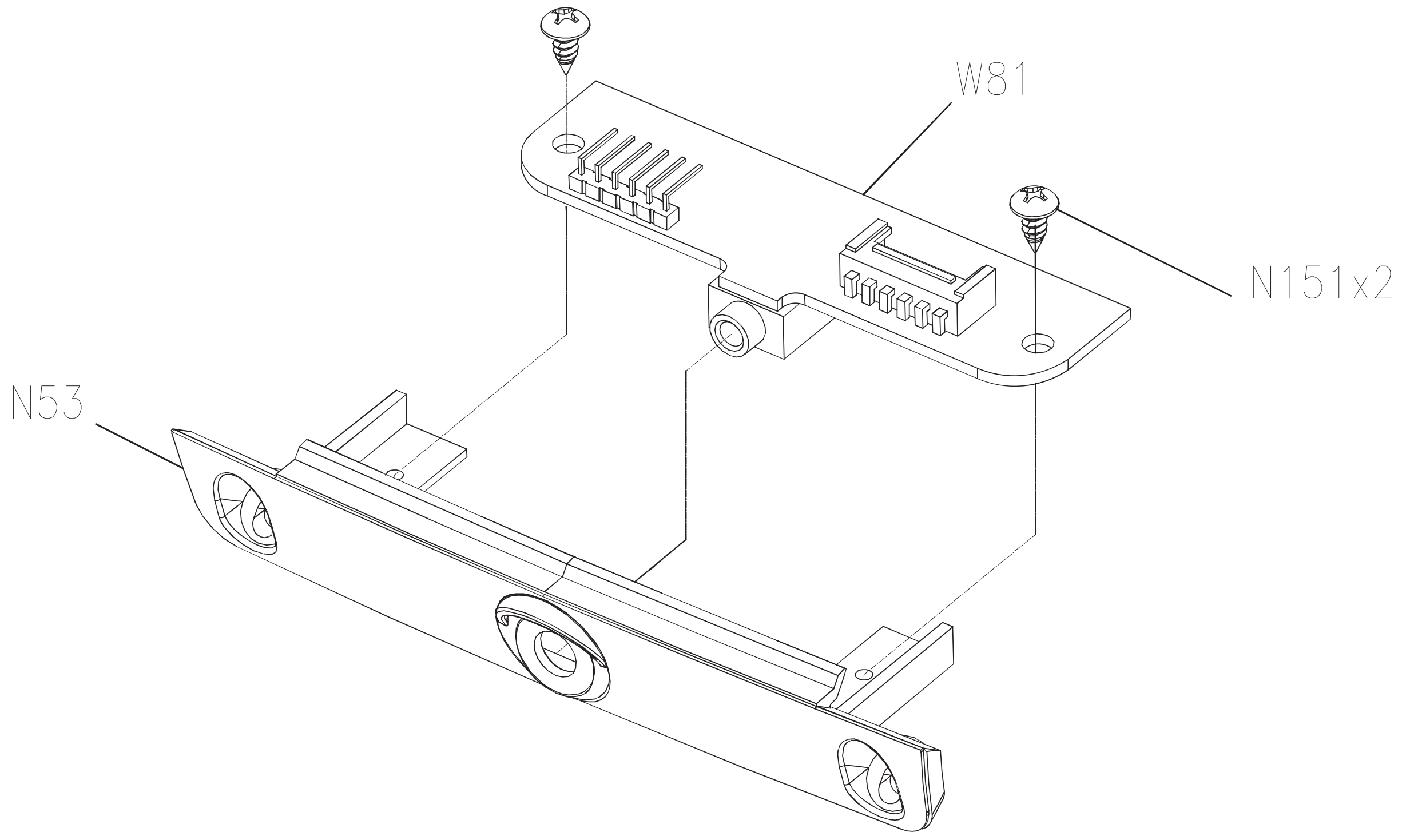
SAP PART NO
MEP1208-00
MEP1209-00
MEP1210-00
MEP1211-00

DRAWING NO	EP620I-AN62		
PART NAME	CONSOLE SET		
PART NO	1000421721 		
APPROVE	Jisheng	DATE	030518

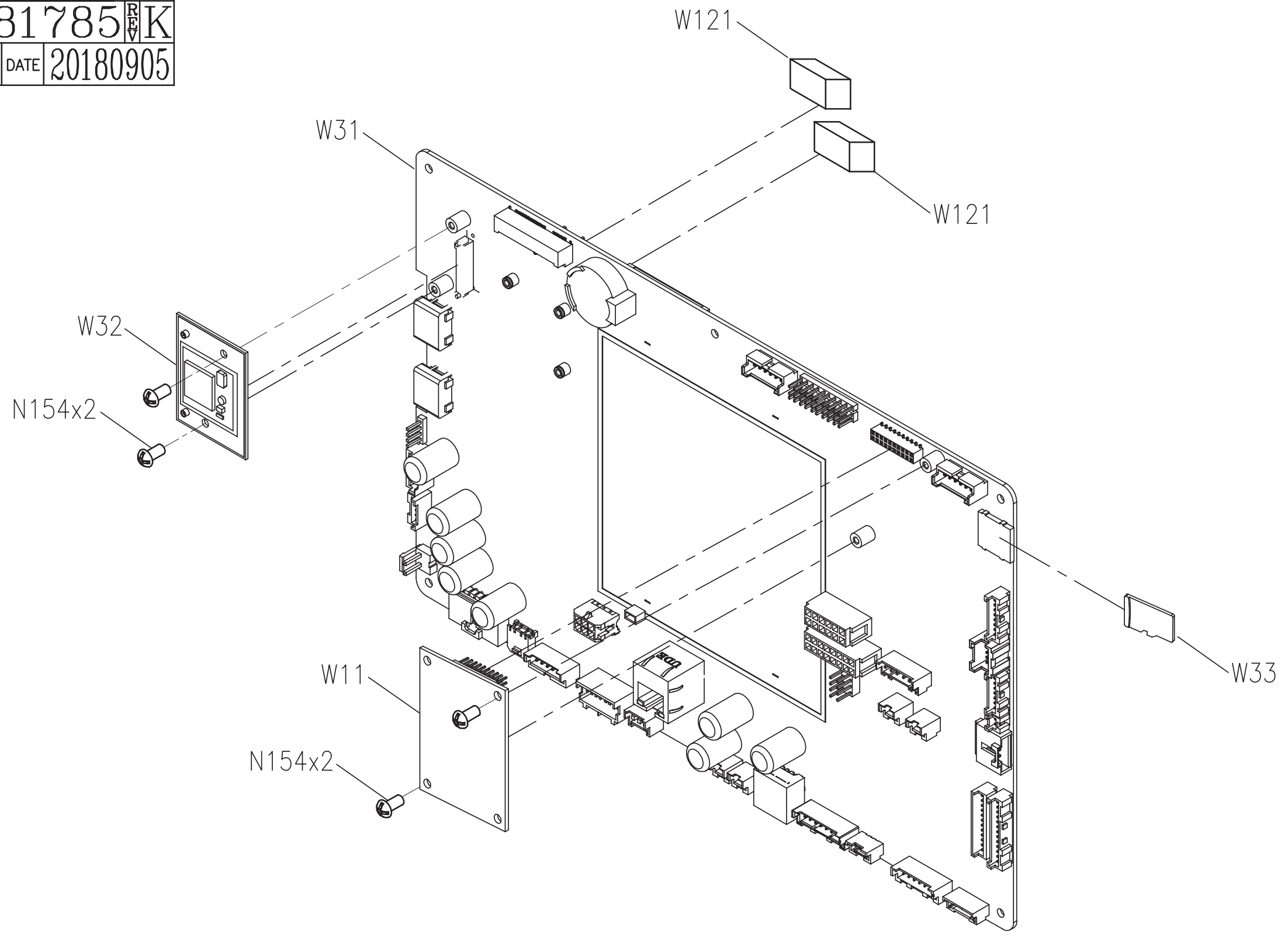
1000421720 US3



DRAWING NO	EP620-AN31		
PART NAME	Earphone board set		
PART NO	1000366515 <sup>REV</sup> B		
APPROVE	Heady	DATE	2015.06.2



DRAWING NO	EP620D-AW31		
PART NAME	Control Board Set		
PART NO	1000381785	REV	K
APPROVE	tsaijw	DATE	20180905



DRAWING NO	EP620K-AW32		
PART NAME	Control Board set ; Gymkit		
PART NO	1000418737 <sup>REV</sup> D		
APPROVE	Allen	DATE	062018

