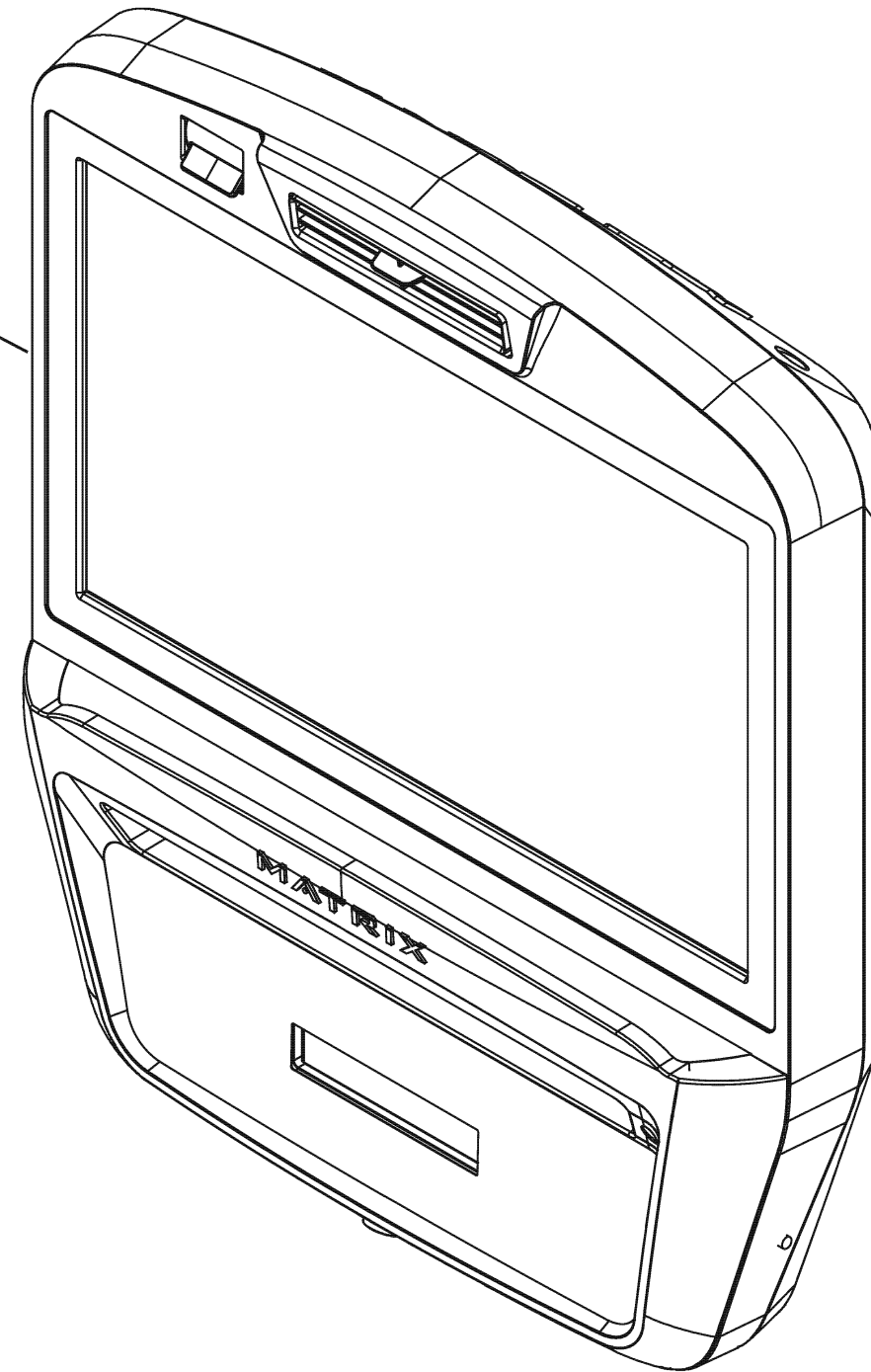


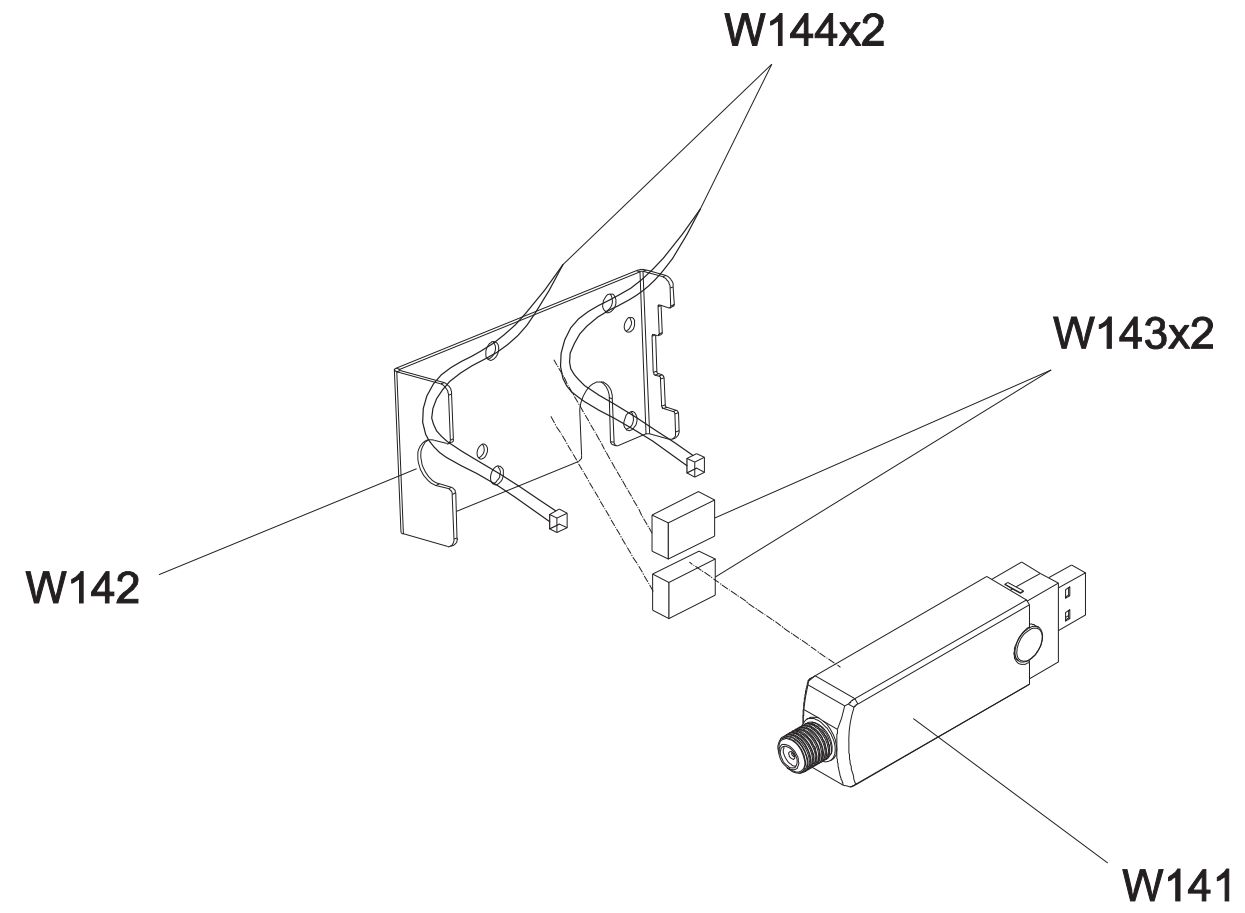
DRAWING NO	EP620K-A04		
PART NAME	ASSEMBLY VIEW		
PART NO	1000426078 R/A		
APPROVE	Allen	DATE	062018

SAP PART NO
MEP1218-00
MEP1219-00
MEP1220-00
MEP1221-00
MEP1222-00
MEP1223-00
MEP1224-00
MEP1225-00

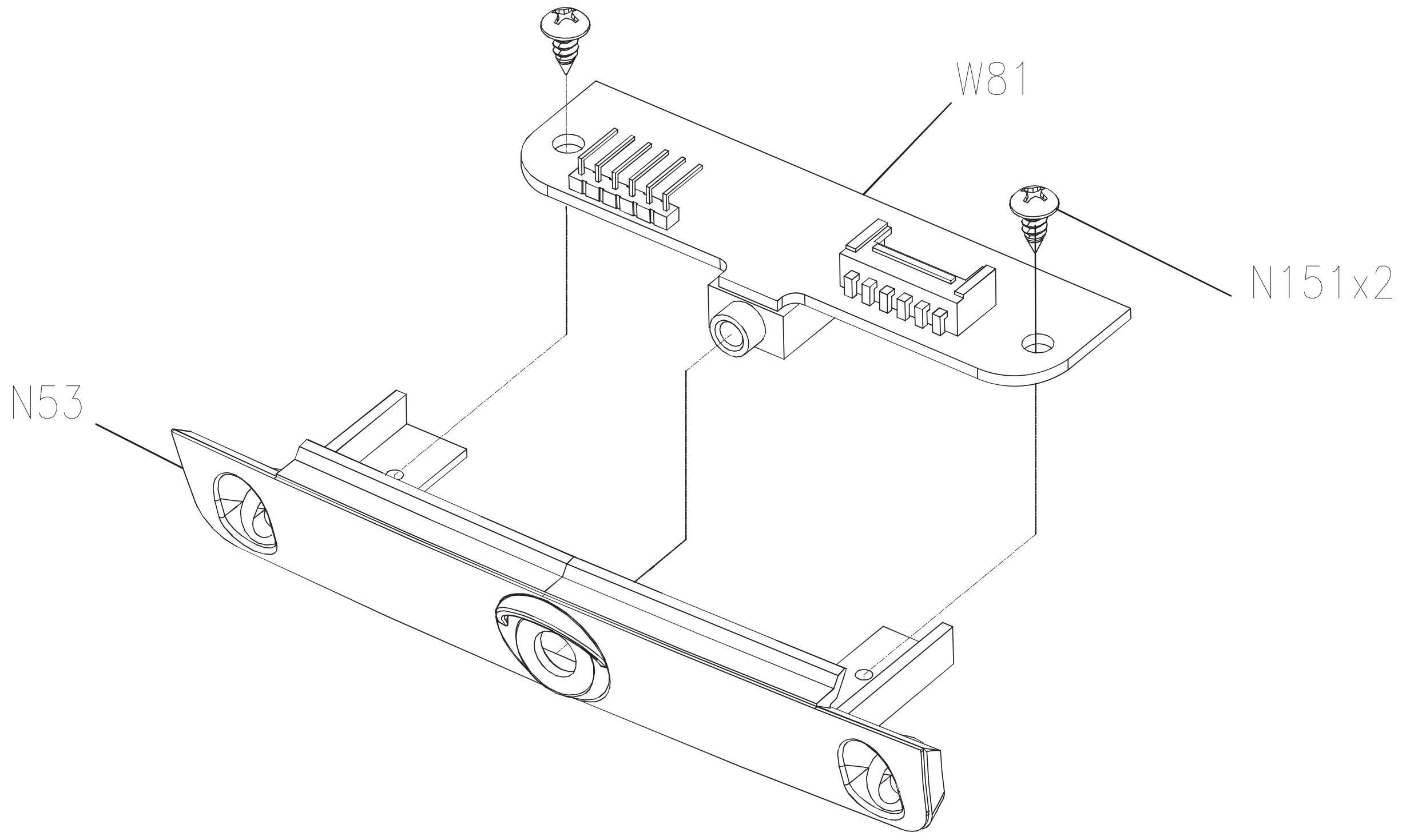
21



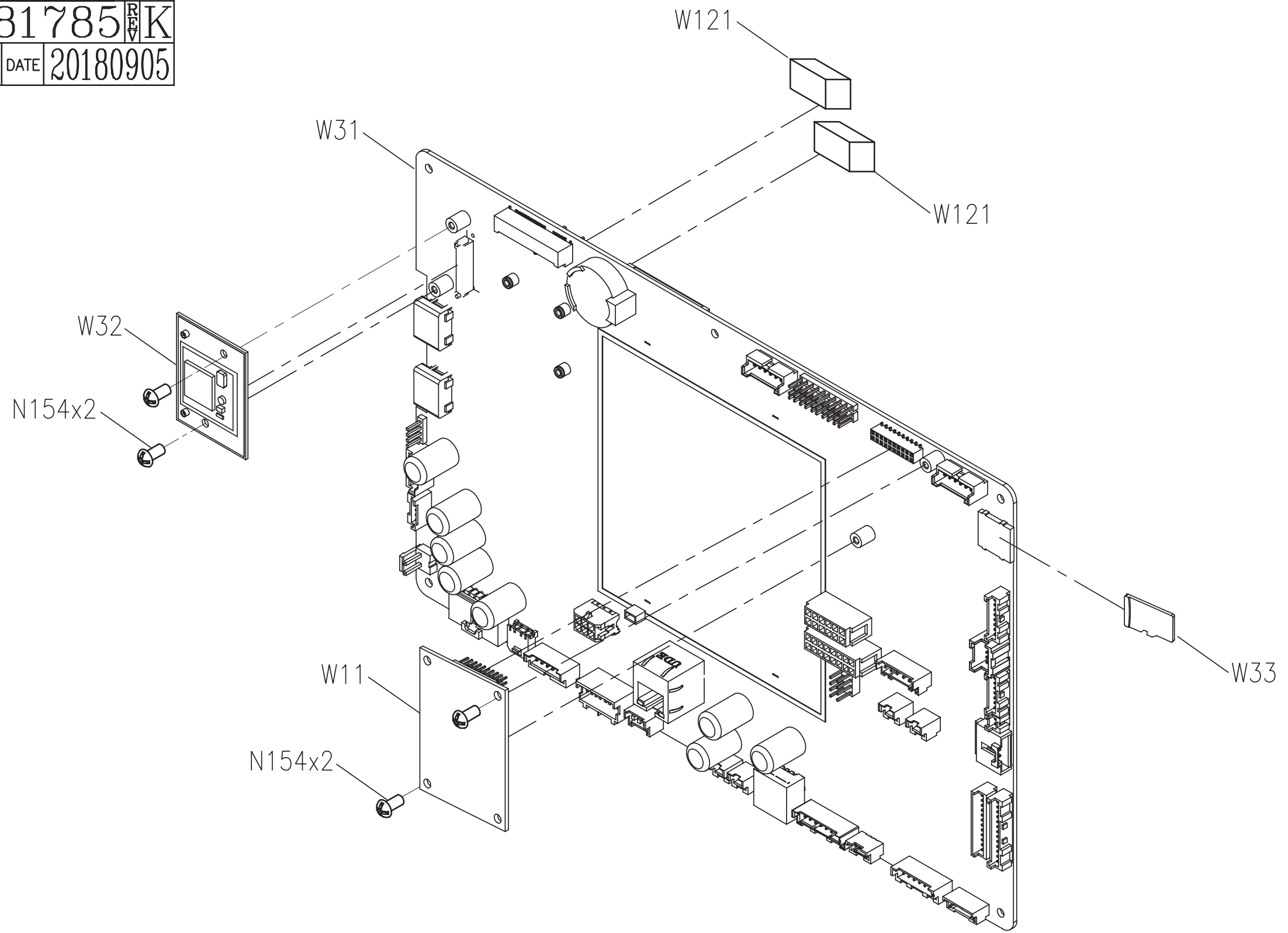
DRAWING NO	EP614C-AW51		
PART NAME	TV STICK SET		
PART NO	1000356574	REV	C
APPROVE	Dragon Long	DATE	2016.6.20



DRAWING NO	EP620-AN31		
PART NAME	Earphone board set		
PART NO	1000366515 ^{REV} B		
APPROVE	Heady	DATE	2015.06.2



DRAWING NO	EP620D-AW31		
PART NAME	Control Board Set		
PART NO	1000381785 REV K		
APPROVE	tsaijw	DATE	20180905



DRAWING NO	EP620K-AW32		
PART NAME	Control Board set ; Gymkit		
PART NO	1000418737 ^{REV} D		
APPROVE	Allen	DATE	062018

