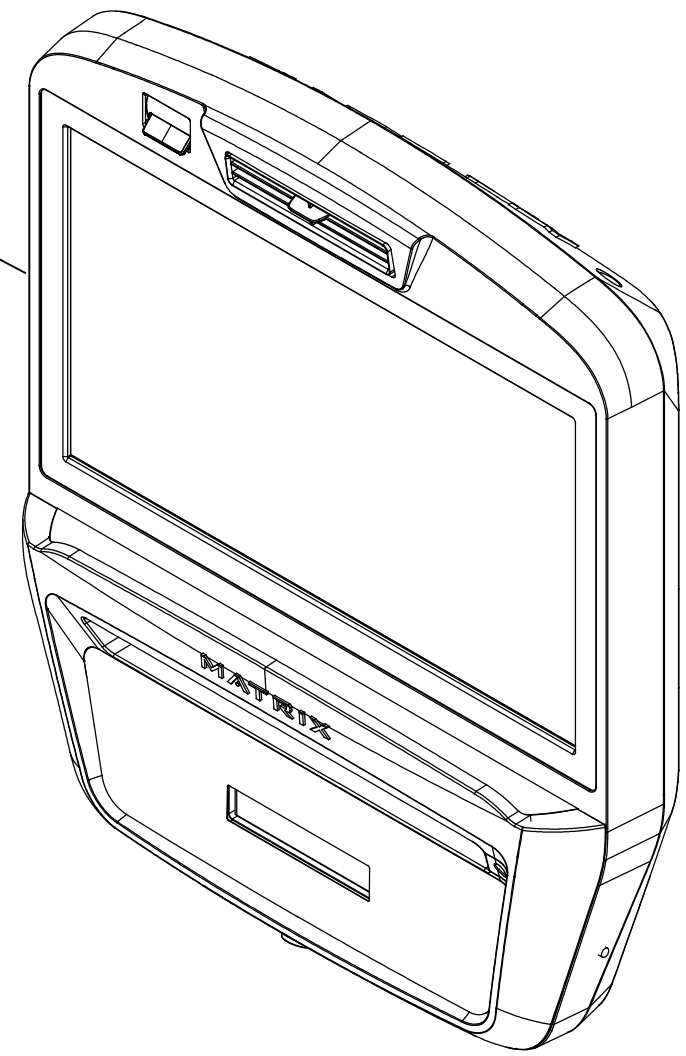


DRAWING NO	EP620N-A04		
PART NAME	ASSEMBLY VIEW		
PART NO	1000438435	REV	A
APPROVE	Sunny	DATE	041219

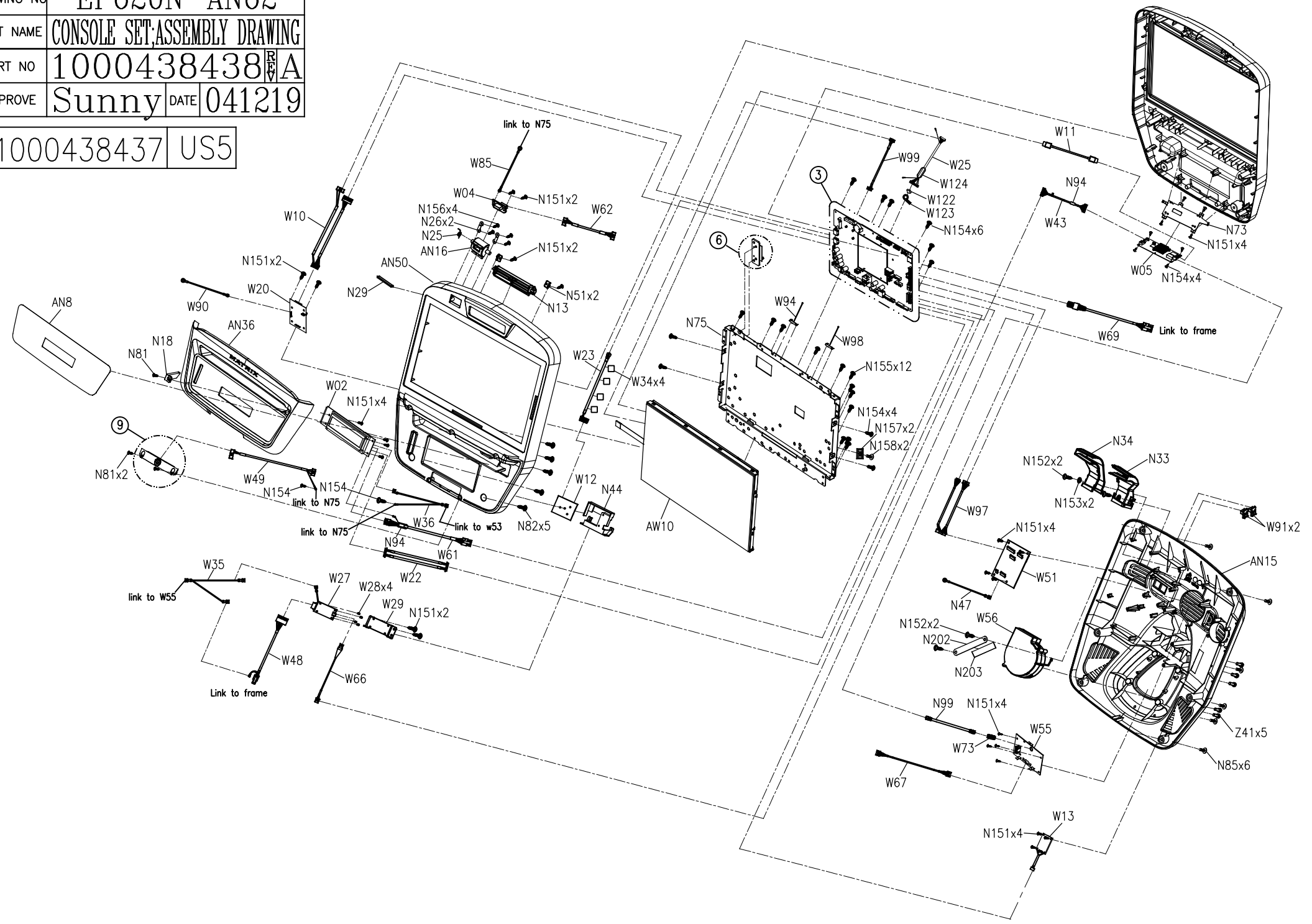
SAP PART NO
MEP1357-00

21

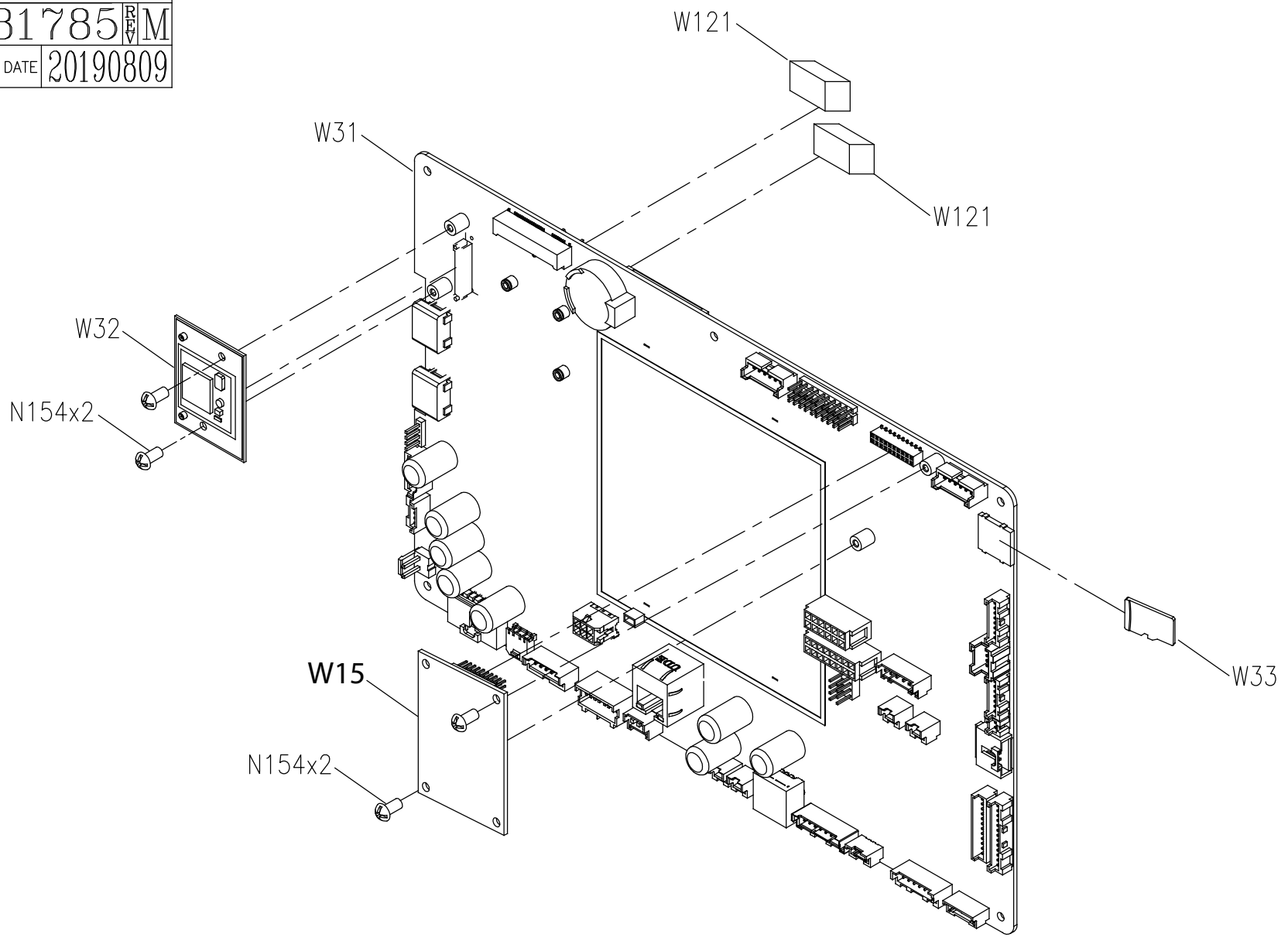


DRAWING NO	EP620N-AN62	
PART NAME	CONSOLE SET;ASSEMBLY DRAWING	
PART NO	1000438438	REV A
APPROVE	Sunny	DATE 041219

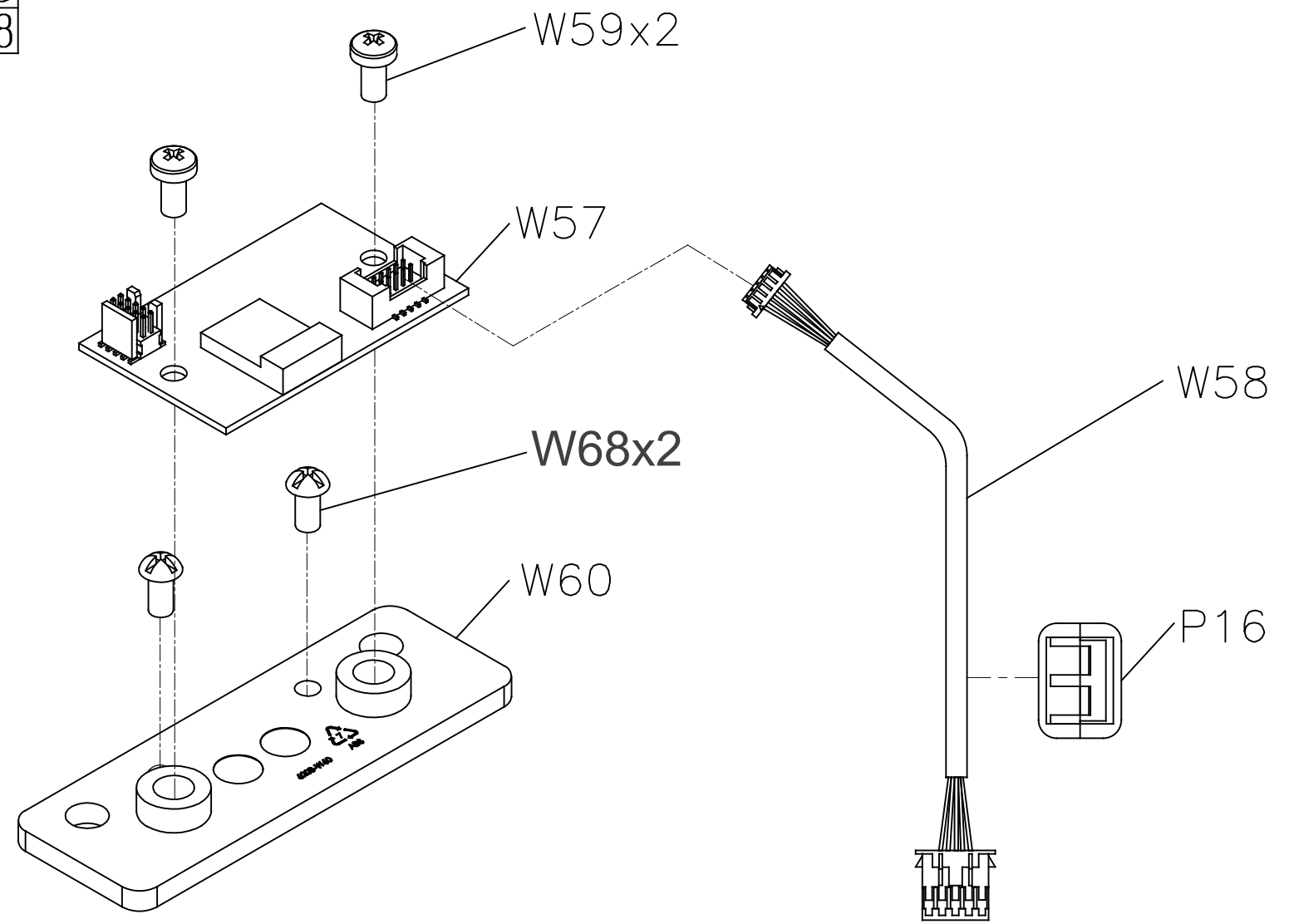
1000438437 US5



DRAWING NO	EP620D-AW31		
PART NAME	Control Board Set		
PART NO	1000381785  M		
APPROVE	tsaijw	DATE	20190809



DRAWING NO	EP620K-AW32		
PART NAME	Control Board set ; Gymkit		
PART NO	1000418737  D		
APPROVE	Allen	DATE	062018



DRAWING NO	EP620-AN31		
PART NAME	Earphone board set		
PART NO	1000366515  B		
APPROVE	Heady	DATE	2015.06.2

